



การไฟฟ้าส่วนภูมิภาค
PROVINCIAL ELECTRICITY AUTHORITY

PROVINCIAL ELECTRICITY AUTHORITY

TECHNICAL SPECIFICATION DIVISION

THREE-PHASE TRANSFORMERS FOR 22 kV AND 33 kV 50 Hz DISTRIBUTION SYSTEMS WITH ABILITY TO WITHSTAND SHORT CIRCUIT

Specification No. RTRN-035/2561

Approved date : 30/05/2562

Rev. No. : 5

Form No. 02-3S

Page 1 of 32

ประกวดราคาอิเล็กทรอนิกส์ เลขที่ กจพ1-мп-010-2567

C Material, equipment, and specifications for THREE-PHASE TRANSFORMERS FOR 22 kV AND 33 kV 50 Hz DISTRIBUTION SYSTEMS WITH ABILITY TO WITHSTAND SHORT CIRCUIT

C1 General material and packing instructions

Additional to the general instructions, the following shall be observed:

1a Scope

These specifications cover three-phase transformers, oil-immersed, natural self-cooled, power range from 50 kVA to 2,000 kVA, designed and constructed to withstand without damage the thermal and dynamic effects of external short circuits, suitable for outdoor installation on 22 kV and 33 kV 50 Hz distribution systems.

1b Standards

The transformers shall be manufactured and tested in accordance with the following standards:

Thailand Industrial Standard (TIS)

TIS 384: 2543 Power Transformers

International Electrotechnical Commission (IEC)

IEC 60076-1:2011 Power transformers– Part 1: General

IEC 60076-2:2011 Power transformers – Part 2: Temperature rise for liquid-immersed transformers

IEC 60076-3:2013 Power transformers – Part 3: Insulation levels, dielectric tests and external clearances in air

IEC 60076-5:2006 Power transformers – Part 5: Ability to withstand short circuit

IEC 60296: 2012 Fluids for electrotechnical applications – Unused mineral insulating oils for transformers and switchgear

International Organization for Standardization

ISO 12944-5:2007 Paints and varnishes - Corrosion protection of steel structures by protective paint systems - Part 5: Protective paint systems

LV bushings shall be in accordance with the DIN 42530. HV bushings shall be in accordance with the DIN 42531.

And all other relevant standards, unless otherwise specified in these specifications.

PEA will also accept the transformers and accessories tested in accordance with the later edition of the above standards.



การไฟฟ้าส่วนภูมิภาค
PROVINCIAL ELECTRICITY AUTHORITY

PROVINCIAL ELECTRICITY AUTHORITY

TECHNICAL SPECIFICATION DIVISION

THREE-PHASE TRANSFORMERS FOR 22 kV AND 33 kV 50 Hz DISTRIBUTION SYSTEMS WITH ABILITY TO WITHSTAND SHORT CIRCUIT

Specification No. RTRN-035/2561

Approved date : 30/05/2562

Rev. No. : 5

Form No. 02-3S

Page 2 of 32

PEA will also accept the type test report in accordance with the previous edition of the above standards, if there is no significant change in any test items or no additional test item(s) compared with the above standards. On the other hand, if there is significant change in any test items or there are any additional test items, the previous edition type test report with the additional test report(s) of the significant change test item(s) and/or additional test item(s) will be also accepted.

1c Principal requirement

1c.1 Service conditions and installation

The transformers shall be designed and constructed for outdoor installation and operation under the following conditions:

Altitude	:	up to 1,000 m above sea level
Ambient air temperature	:	50°C, maximum
	:	40°C, monthly average, of the hottest month
Relative humidity	:	up to 94%
Climate condition	:	tropical climate

Table 1 Transformer installation

Transformer Rating (kVA)	Installation
50 – 250	on concrete pole and on platform
315 – 1,500	on platform and on concrete foundation
2,000	on concrete foundation

1c.2 Oil preservation system

The transformers of **50 kVA to 500 kVA** shall be permanently sealed and completely oil filled system (without gas cushion) type (usually corrugated tank). The transformer tank cover shall be bolt tightened to the tank with suitable gasket sealing.

The transformers of **630 kVA to 2,000 kVA** shall be conservator system type.

1c.3 Rating

1. Rated power

The rated power, on continuous operation, for transformers shall be as follows:

50 kVA	250 kVA	500 kVA	1,000 kVA	2,000 kVA
100 kVA	315 kVA	630 kVA	1,250 kVA	
160 kVA	400 kVA	800 kVA	1,500 kVA	



การไฟฟ้าส่วนภูมิภาค
PROVINCIAL ELECTRICITY AUTHORITY

PROVINCIAL ELECTRICITY AUTHORITY

TECHNICAL SPECIFICATION DIVISION

**THREE-PHASE TRANSFORMERS FOR 22 kV AND 33 kV 50 Hz DISTRIBUTION SYSTEMS
WITH ABILITY TO WITHSTAND SHORT CIRCUIT**

Specification No. RTRN-035/2561

Approved date : 30/05/2562

Rev. No. : 5

Form No. 02-3S

Page 3 of 32

2. Rated voltages

The rated voltage of windings is given in **Table 2**.

Table 2 Rated voltage

Rated Primary Voltage	Rated Secondary Voltage
22 kV, 33 kV	416/240 V

3. Rated frequency: 50 Hz

1c.4 Core and windings

The cores and windings of transformers shall be as follows:

Table 3 Core and windings

Transformer Rating (kVA)	Construction of Core	HV and LV Windings shall be made of	Construction of Windings	
			HV winding	LV winding
50-2,000	According to manufacturer's standard	copper only	According to manufacturer's standard	According to manufacturer's standard

1c.5 Tappings

The primary windings of transformers shall be provided with full capacity of externally-operated off-circuit tap changers.

Tapping range: $\pm 2 \times 2.5\%$ of rated primary voltage

The externally-operated off-circuit tap changer shall be designed for de-energized operation with the operating handle brought out through the cover of the tank. The operating handle shall have provision for locking and shall give visual indication of the tapping position without unlocking.

The tap changer shall have a locking device to prevent improper use. The operating handle shall be rotated in clockwise direction from a high tap voltage to a lower tap voltage. The tap changer shall be provided with stops to identify the highest and lowest tap position. The tap changer positions shall be identified by the numbers in sequence. The number "1" shall be designated to the highest tap voltage. Consequently the number "5" indicates the lowest tap voltage. These identifications shall be in perfect correspondence to those indicated in the connection diagram on the nameplate. All five positions of the tap changer shall be operative positions.

The tap positions shall be indelibly marked with weather-proof paint and in a color which shall present distinctive contrast to the surrounding material.

The operating handle of tap changer shall be made from non-corrosion metal. Plastic is not acceptable.



การไฟฟ้าส่วนภูมิภาค
PROVINCIAL ELECTRICITY AUTHORITY

PROVINCIAL ELECTRICITY AUTHORITY

TECHNICAL SPECIFICATION DIVISION

THREE-PHASE TRANSFORMERS FOR 22 kV AND 33 kV 50 Hz DISTRIBUTION SYSTEMS WITH ABILITY TO WITHSTAND SHORT CIRCUIT

Specification No. RTRN-035/2561

Approved date : 30/05/2562

Rev. No. : 5

Form No. 02-3S

Page 4 of 32

1c.6 Connection symbol

50 kVA to 2,000 kVA transformers shall have connection symbol Dyn 11.

1c.7 Losses and Short - circuit impedance

The specified or guaranteed losses plus positive tolerance, for each transformer unit shall not be more than the losses are shown in the **Table 4**.

Short-circuit impedance shall be measured on the principle tapping of 22 or 33 kV at ambient temperature then corrected to 75°C.

Short-circuit impedance of the offered transformers shall be as specified in the **Table 4** and have tolerance within $\pm 10\%$ except for transformer rating 500 kVA, the short-circuit impedance at 75°C of transformer rating 500 kVA shall be 6.5 or more.

Table 4 Losses and short circuit impedance

Transformer Rating (kVA)	Watt Loss (W)			Short-circuit Impedance at 75°C (%)
	No-load loss, for system voltage of :		Load loss at 75°C	
	22 kV	33 kV		
50	110	170	875	4
100	180	260	1450	4
160	260	370	2000	4
250	360	520	2750	4
315	440	630	3250	4
400	520	750	3850	4
500	610	900	4600	6.5 or more
630	680	1050	5600	6
800	800	1150	7000	6
1,000	940	1300	9000	6
1,250	1150	1530	11000	6
1,500	1380	1850	13200	6
2,000	1800	2140	18000	6

1c.8 Limits of temperature-rise, above 50°C ambient temperature

Of top oil : not exceeding 50 K

Of winding : not exceeding 55 K



การไฟฟ้าส่วนภูมิภาค
PROVINCIAL ELECTRICITY AUTHORITY

PROVINCIAL ELECTRICITY AUTHORITY

TECHNICAL SPECIFICATION DIVISION

**THREE-PHASE TRANSFORMERS FOR 22 kV AND 33 kV 50 Hz DISTRIBUTION SYSTEMS
WITH ABILITY TO WITHSTAND SHORT CIRCUIT**

Specification No. RTRN-035/2561

Approved date : 30/05/2562

Rev. No. : 5

Form No. 02-3S

Page 5 of 32

1c.9 Insulation level

The insulation level of HV windings, LV windings and connected parts of transformers shall be as specified in the **Table 5**:

Table 5 Insulation level

Nominal System Voltage (kV, r.m.s.)	Insulation Level	
	Impulse Test Voltage Full-wave (kV, peak)	Power Frequency Test Voltage, 1-min (kV, r.m.s.)
22	125	50
33	170	70
0.416/0.24	30	10

1c.10 Bushings

1. Number and location

Each transformer shall have three (3) high-voltage bushings and four (4) low-voltage bushings located on the cover of the tank.

Secondary neutral point of transformer shall be brought out by separate-insulated bushing(s) and loaded with rated current.

The HV bushings shall not be completed with the arcing horns.

2. Material

Transformer bushings shall be made of good commercial-grade wet-process porcelain.

The entire porcelain surface of the bushings that will be exposed after assembly shall be glazed.

The color of the glaze shall be brown.

3. Electrical characteristics

Transformer bushings shall be capable of withstanding the impulse and low-frequency voltage specified in the **Table 6**:

Table 6 Electrical characteristics

Bushing	Impulse Full Wave (kV, peak)	Low-frequency, 50 Hz (kV, r.m.s.)	
		Dry 1-minute	Wet 10-second
High-voltage bushings for 22 kV system	125	50	50
High-voltage bushings for 33 kV system	170	70	70
Low-voltage bushings	30	10	10



การไฟฟ้าส่วนภูมิภาค
PROVINCIAL ELECTRICITY AUTHORITY

PROVINCIAL ELECTRICITY AUTHORITY

TECHNICAL SPECIFICATION DIVISION

THREE-PHASE TRANSFORMERS FOR 22 kV AND 33 kV 50 Hz DISTRIBUTION SYSTEMS WITH ABILITY TO WITHSTAND SHORT CIRCUIT

Specification No. RTRN-035/2561

Approved date : 30/05/2562

Rev. No. : 5

Form No. 02-3S

Page 6 of 32

4. Minimum Clearance

Safety clearance of Transformer bushings shall comply with minimum Clearance Criterion, which measurement between live part to live part or live part to ground shall be as follows.

- At least 225 mm for 22 kV System
- At least 320 mm for 33 kV System

5. Test report

The bidders have to submit the test report of bushing with the bid in order to confirm the electrical characteristic in **Table 6 Electrical characteristics**, the bidders who cannot submit will be rejected. The test of bushing can be conducted by manufacturer or third party laboratories.

1c.11 Terminal connectors

HV bushings shall be equipped with solderless clamp type connectors for aluminium conductor diameter range from 7.5 mm to 12.6 mm (sizes 35-95 mm²).

Only for 50 kVA to 1,250 kVA transformers: LV bushings shall be equipped with terminal pad connectors (stud type connectors are preferable), of high conductivity bronze and hot-tin dipped. The terminal pads shall be drilled in accordance with NEMA Standards (9/16" holes on 1 3/4" centers); each hole shall be furnished with one (1) bolt M12 x 60 mm (of at least 50 mm thread length), one (1) nut, two (2) flat washers, and one (1) lock washer; details of terminal pads shall be according to Drawing No. SA4-015/47002. The connectors shall be provided with mounting hardware (bolts, nuts, washers, and lock washers) of stainless steel or better.

Only for 1,500 kVA to 2,000 kVA transformers: LV bushings shall be equipped with solderless clamp type connectors (stud type connectors are preferable), of high conductivity bronze and hot-tin dipped, for aluminium and copper conductor sizes, and number of circuits take off shall be as **Table 7**:

Table 7 Terminal connectors for 1,500 kVA to 2,000 kVA transformers

Transformer Rating (kVA)	Applicable to Aluminium and Copper Conductors		Number of Circuits
	diameter range (mm)	sizes (mm ²)	
1,500	18.4 - 29.2	240 - 500	4
2,000	18.4 - 29.2	240 - 500	6

The connectors shall be provided with mounting hardware (bolts, nuts, washers, and lock washers) of stainless steel or better. The details of connectors shall be according to Drawing No. SA4-015/47002.



การไฟฟ้าส่วนภูมิภาค
PROVINCIAL ELECTRICITY AUTHORITY

PROVINCIAL ELECTRICITY AUTHORITY

TECHNICAL SPECIFICATION DIVISION

THREE-PHASE TRANSFORMERS FOR 22 kV AND 33 kV 50 Hz DISTRIBUTION SYSTEMS WITH ABILITY TO WITHSTAND SHORT CIRCUIT

Specification No. RTRN-035/2561

Approved date : 30/05/2562

Rev. No. : 5

Form No. 02-3S

Page 7 of 32

1c.12 Tank and Tank finish

Tank and cover shall be constructed of welded steel plate suitable reinforced. The joints between the tank and cover shall be provided with suitable flanges properly bolted together with gaskets.

Tank cover shall have 90° downward bent edges on all sides to protect the gasket under the top cover from direct exposure to weather.

Gaskets between metal surfaces shall be set in grooves or held in position by retainers so arranged that all parts are bolted metal-to-metal. The gaskets shall be made of resilient material which will not deteriorate under the action of hot oil and will remain oil-tight. Gaskets of such material which can be easily damaged by overpressing are not acceptable.

The transformer tank shall be finished with mounting bracket for surge arrester (Surge arrester polymer housing type supplied by PEA) and shall be furnished with three (3) earthing terminal provided for ground leads of surge arrester, see Drawing No. SA4-015/50008.

The bidders have to give the transformer's tank dimensions which passed type test in **2a Performance data and guarantee of three-phase transformer (Page 29 of 32)**.

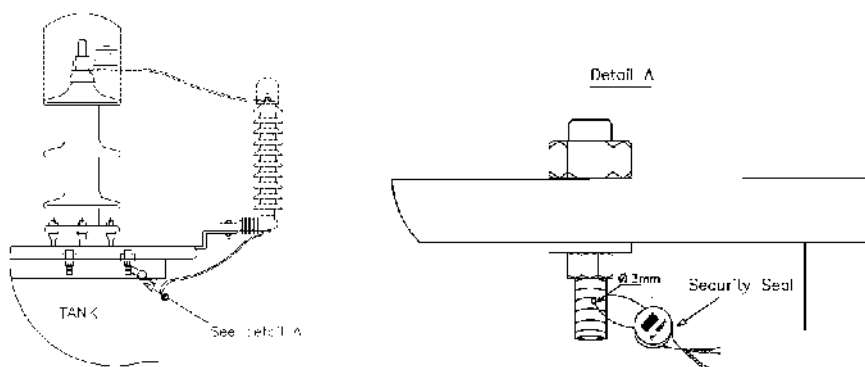
Tolerance of the transformer's tank dimensions for the purposed transformer shall be within ± 3 percent of the declared dimensions which given by the bidders in above information, Otherwise shall be rejected.

The distance between tank cover (Top plate) and fins which is installed the earthing terminal for surge arrester shall not less than 200 mm.

The manufacturer's serial number shall be dented on transformer tank cover.

The manufacture shall prepare 3 mm diameter holes for security seals threading. The first position, the hole shall be drilled at the right last bolt which fix tank and cover of transformer and the second position, the hole shall be drilled at the top right of transformer nameplate as **Figure 1**.

The security seals will be installed by PEA after any transformers pass the witness test or acceptance test or others depend on PEA's committee.





การไฟฟ้าส่วนภูมิภาค
PROVINCIAL ELECTRICITY AUTHORITY

PROVINCIAL ELECTRICITY AUTHORITY

TECHNICAL SPECIFICATION DIVISION

THREE-PHASE TRANSFORMERS FOR 22 kV AND 33 kV 50 Hz DISTRIBUTION SYSTEMS WITH ABILITY TO WITHSTAND SHORT CIRCUIT

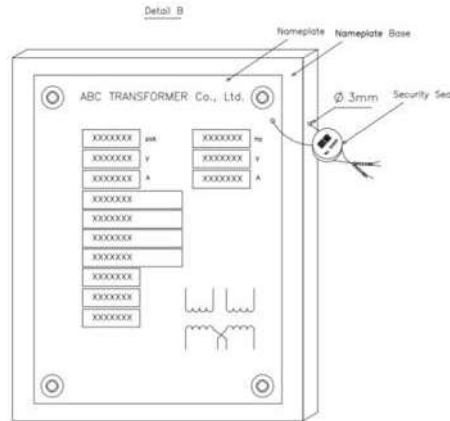
Specification No. RTRN-035/2561

Approved date : 30/05/2562

Rev. No. : 5

Form No. 02-3S

Page 8 of 32



Note : The hole shall be drilled by manufacturer and thread with security seal by PEA

Figure 1 Security seal installation

1c.12.1 Painting system

1. Interior surface

Interior surface shall be finished oil resistant paint or vanish.

2. Exterior surface

The painting system will be suitable for an exterior servicing at medium atmospheric-corrosivity category is as C3, and system number is as A.3.08 in accordance with ISO 12944-5 Table A.3.

The coating system shall be in accordance with the ISO 12944-5 as following:

- Primer coat: The number of coats is one (1) or two (2) coats of Epoxy (Misc) Anti-Corrosive Primer, the dry film thickness shall not less than 80 μm .
- Subsequent coat(s): The number of coats is two (2) to three (3) of Epoxy Intermediate and Polyurethane topcoat with RAL 7036 gray color.
- The total number of coats is two (2) to four (4) coats and the dry film thickness of coating system shall not less than 160 μm .

3. Dry film thickness test and test report

The dry film thickness shall be spot checked for each layer of coating. The position of spot checks is specified as **Figure 2** for transformers of permanently sealed type, and **Figure 3** for transformers of conservator system type.



การไฟฟ้าส่วนภูมิภาค
PROVINCIAL ELECTRICITY AUTHORITY

PROVINCIAL ELECTRICITY AUTHORITY

TECHNICAL SPECIFICATION DIVISION

**THREE-PHASE TRANSFORMERS FOR 22 kV AND 33 kV 50 Hz DISTRIBUTION SYSTEMS
WITH ABILITY TO WITHSTAND SHORT CIRCUIT**

Specification No. RTRN-035/2561

Approved date : 30/05/2562

Rev. No. : 5

Form No. 02-3S

Page 9 of 32

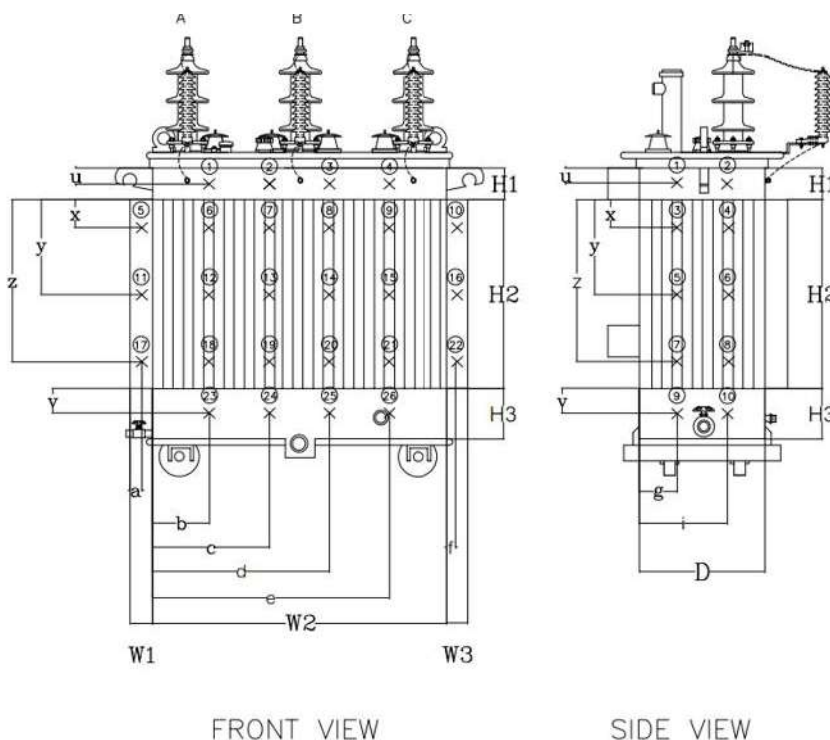


Figure 2 The position of spot checking for transformers of permanently sealed type.

The distance for spot checking of permanently sealed type is as Table 8:

Table 8 Distance for spot checking of permanently sealed type

Symbols	Length	Symbols	Length
a	About 1/2 of width (W1)	u	About 1/2 of height (H1)
b	About 1/5 of width (W2)	v	About 1/2 of height (H3)
c	About 2/5 of width (W2)	x	About 1/4 of height (H2)
d	About 3/5 of width (W2)	y	About 2/4 of height (H2)
e	About 4/5 of width (W2)	z	About 3/4 of height (H2)
f	About 1/2 of width (W3)		
g	About 1/3 of depth (D)		
i	About 2/3 of depth (D)		



การไฟฟ้าส่วนภูมิภาค
PROVINCIAL ELECTRICITY AUTHORITY

PROVINCIAL ELECTRICITY AUTHORITY

TECHNICAL SPECIFICATION DIVISION

**THREE-PHASE TRANSFORMERS FOR 22 kV AND 33 kV 50 Hz DISTRIBUTION SYSTEMS
WITH ABILITY TO WITHSTAND SHORT CIRCUIT**

Specification No. RTRN-035/2561

Approved date : 30/05/2562

Rev. No. : 5

Form No. 02-3S

Page 10 of 32

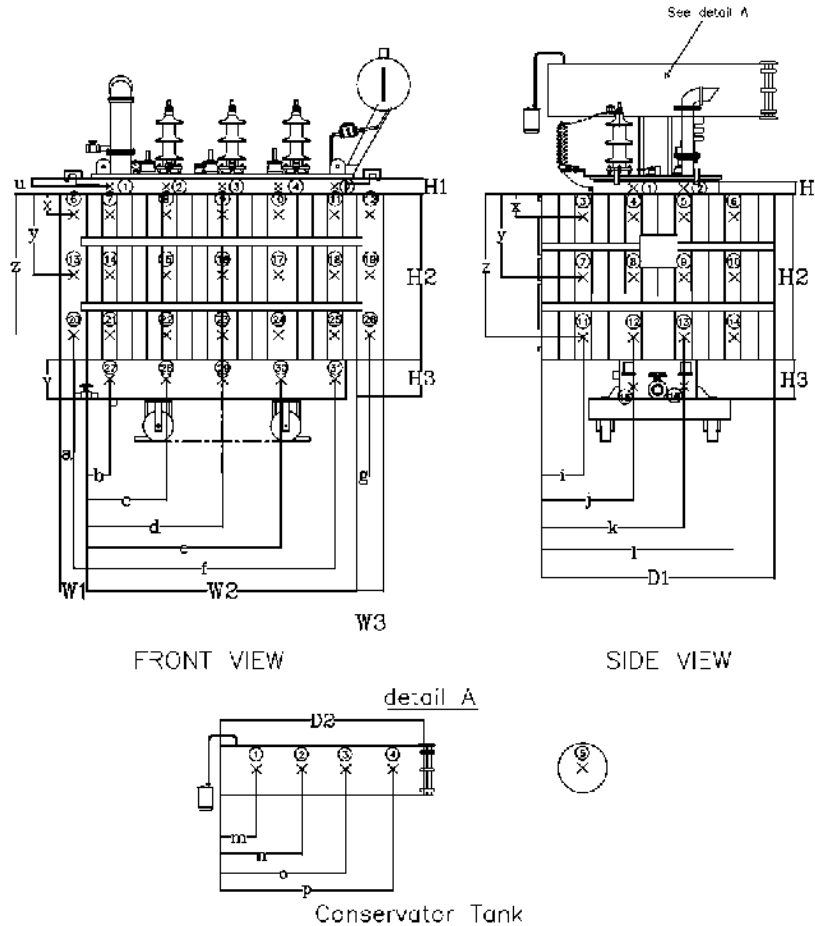


Figure 3 The position for spot checking for transformers of conservator system type.

The distance for spot checking of conservator system type is as **Table 9:**

Table 9 Distance for spot checking of conservator system type

Symbols	Length	Symbols	Length
a	About 1/2 of height (W1)	m	About 1/5 of depth (D2)
b	About 1/6 of height (W2)	n	About 2/5 of depth (D2)
c	About 2/6 of height (W2)	o	About 3/5 of depth (D2)
d	About 3/6 of height (W2)	p	About 4/5 of depth (D2)
e	About 4/6 of height (W2)	u	About 1/2 of height (H1)
f	About 5/6 of height (W2)	v	About 1/4 of width (H3)
g	About 1/2 of height (W3)	x	About 1/4 of width (H2)
i	About 1/5 of depth (D1)	y	About 2/4 of width (H2)
j	About 2/5 of depth (D1)	z	About 3/4 of width (H2)
k	About 3/5 of depth (D1)		
l	About 4/5 of depth (D1)		



การไฟฟ้าส่วนภูมิภาค
PROVINCIAL ELECTRICITY AUTHORITY

PROVINCIAL ELECTRICITY AUTHORITY

TECHNICAL SPECIFICATION DIVISION

THREE-PHASE TRANSFORMERS FOR 22 kV AND 33 kV 50 Hz DISTRIBUTION SYSTEMS WITH ABILITY TO WITHSTAND SHORT CIRCUIT

Specification No. RTRN-035/2561

Approved date : 30/05/2562

Rev. No. : 5

Form No. 02-3S

Page 11 of 32

The bidders have to submit the test report, conducted by the acknowledged testing laboratories or manufacture, with the bid. The Item offered without submitting the dry film thickness test report shall be rejected.

The cost of all tests and reports shall be borne by the bidders/manufacturers/contractor.

1c.12.2 Dry film thickness test report

The required information in dry film thickness test report shall be at least the following items:

- (1) Transformer information
 - 1) Manufacturer's name
 - 2) Model
 - 3) Serial number
 - 4) Number of phase
 - 5) Rated voltage of the high-voltage winding
 - 6) Rated voltage of the low-voltage winding
 - 7) Rated frequency
 - 8) Rated power
 - 9) Rated current of the high-voltage winding
 - 10) Rated current of the low-voltage winding
- (2) Painted information
 - 1) Coating system (flow coating or spraying)
 - 2) The information for each coating (Primer coat, Subsequent coat, Top coat) minimum as following:
 - Type of material
 - Paint Manufacturer
 - Require minimum dry film thickness (μm) as specified
 - Actual dry film thickness (μm) (3 reading per 1 spot checks)
 - 3) Technical Data of coats
 - 4) Painting Procedure

1c.12.3 Acceptance test procedure of dry film thickness test

The total dry film thickness of coating shall be measured by contractor for acceptance testing and witness by the PEA's acceptance committee. Total dry film thickness shall be not less than 160 μm according to ISO 12944-5. PEA will randomly select the samples of transformer only from the first lot. The number of samples and criteria for consideration shall be according to **Table 10**.

PEA reserve the right to send representative to inspect and witness test.

I The cost of all tests and reports shall be borne by the manufacturers/contractor.



การไฟฟ้าส่วนภูมิภาค
PROVINCIAL ELECTRICITY AUTHORITY

PROVINCIAL ELECTRICITY AUTHORITY

TECHNICAL SPECIFICATION DIVISION

THREE-PHASE TRANSFORMERS FOR 22 kV AND 33 kV 50 Hz DISTRIBUTION SYSTEMS WITH ABILITY TO WITHSTAND SHORT CIRCUIT

Specification No. RTRN-035/2561

Approved date : 30/05/2562

Rev. No. : 5

Form No. 02-3S

Page 12 of 32

1c.13 Marking

PEA's code number and word "**SHORT CIRCUIT WITHSTAND**" shall be painted, in orange, on the transformer tank (for transformer having no conservator) or on the conservator tank (for transformer having conservator) at the position that enables a clear observation, and also be legibly and durably inscribed on the metal part of nameplate. The code number and dimensions of each letter to be marked shall be given by PEA after the final of bid consideration.

1c.14 Accessories

The 50 kVA to 2,000 kVA transformers shall be furnished and equipped with the following accessories:

1. HV and LV bushings, with terminal connectors
2. Bird guard cap (bushing cover), ultra-violet and track resistant material, e.g. polypropylene, neoprene, etc; which is suitable for exposure to sunlight
3. Earthing terminal for surge arrester, with solderless clamp type connector suitable for flexible copper insulated ground lead size 16 mm², 430 mm long. (See Drawing No. SA4-015/50008)
4. Tap changer
5. Thermometer pocket, transformers shall have a thermometer pocket to allow the measuring of the top-oil temperature. This pocket shall be placed as shown in the EN 50216-4 (type A1). The pocket shall be provided with a corrosion-proof cap. The thread shall be protected with silicone-grease. Dimensions of the thermometer pocket in mm are shown as **Figure 4**.

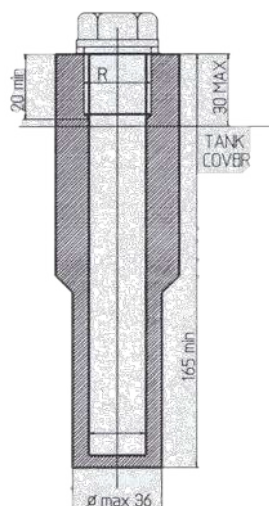


Figure 4 Dimensions of thermometer pockets

6. Nameplate with connection diagram
7. Oil drain valve with plug or cap, installed at the lower part of the tank
8. Sludge drain plug, installed at the bottom of the tank



การไฟฟ้าส่วนภูมิภาค
PROVINCIAL ELECTRICITY AUTHORITY

PROVINCIAL ELECTRICITY AUTHORITY

TECHNICAL SPECIFICATION DIVISION

THREE-PHASE TRANSFORMERS FOR 22 kV AND 33 kV 50 Hz DISTRIBUTION SYSTEMS WITH ABILITY TO WITHSTAND SHORT CIRCUIT

Specification No. RTRN-035/2561

Approved date : 30/05/2562

Rev. No. : 5

Form No. 02-3S

Page 13 of 32

9. Earthing terminal, with solderless clamp type connector suitable for steel stranded conductor diameter of 9.0 mm (size 50 mm²); complete with lockwasher of stainless steel or better.
10. Lifting lugs
11. Lifting eyes on the cover
12. Oil level gauge
13. Compression type cable lug, for aluminium conductor diameter of 7.5-9.0 mm (sizes 35-50 mm²), suitable for connecting between HV bushing and surge arrester lead conductor.
14. Only for 50 kVA to 250 kVA transformers: Pressure relief valve on the tank cover, oil filling plug on the tank cover, and supporting lugs for hanging the transformer tank to pole by using two (2) M16 machine bolts.
The lugs shall have 600 mm spacing; 500 mm or 400 mm spacing may be used when tank height will not permit the 600 mm dimension. (See Drawing No. SA4-015/50008)
Only for 315 to 500 kVA transformers: Pressure relief valve on the tank cover, and oil filling plug on the tank cover.
Only for 630 kVA to 2,000 kVA transformers: Pressure relief valve on the tank cover, oil conservator with dehydrating breather and oil level gauge. The cylinder of dehydrating breather shall be of transparent glass. The dehydrating breather shall be easy replaced and filled with silica-gel not less than 1.0 kg.
15. Only for 315 kVA to 2,000 kVA transformers: Transport rollers
16. Only for 1,000 kVA to 2,000 kVA transformers:
 - (a) Dial type thermometer with adjustable contact(s)
 - (b) Double float Buchholz relay having two (2) contacts (for alarm and tripping)
17. Other necessary accessories according to manufacturer's design.

1c.15 Initial oil filling

The transformers shall be supplied with initial oil filling. The oil shall be according to IEC 60296, high-quality, clean and dry.

The oil shall be free from Polychlorinated biphenyls (PCB).

1c.16 Nameplate

The following minimum nameplate information shall be legibly and durably inscribed on the metal part of nameplate:

- (1) Manufacturer's name
- (2) Manufacturer's serial number
- (3) Year of manufacture
- (4) PEA's code number



การไฟฟ้าส่วนภูมิภาค
PROVINCIAL ELECTRICITY AUTHORITY

PROVINCIAL ELECTRICITY AUTHORITY

TECHNICAL SPECIFICATION DIVISION

**THREE-PHASE TRANSFORMERS FOR 22 kV AND 33 kV 50 Hz DISTRIBUTION SYSTEMS
WITH ABILITY TO WITHSTAND SHORT CIRCUIT**

Specification No. RTRN-035/2561

Approved date : 30/05/2562

Rev. No. : 5

Form No. 02-3S

Page 14 of 32

- (5) Contract number and/or PO number
- (6) Number of phases
- (7) Rated frequency in Hz
- (8) Rated power in kVA
- (9) Rated voltage in V
- (10) Rated current in A
- (11) Rated secondary short-circuit withstand current in kA r.m.s.
- (12) Tapping voltages in V
- (13) Connection symbol
- (14) Short-circuit impedance in %
- (15) Connection diagram
- (16) Type of cooling
- (17) Oil quantity in liters
- (18) Drain oil quantity in liters (for permanently sealed type)
- (19) Total weight in kg
- (20) Wording “**SHORT CIRCUIT WITHSTAND**”
- (21) Material of HV and LV winding such as copper winding, cooper foil etc.

1c.17 Bushing location and terminal markings

Bushing shall locate as shown in the figures below:

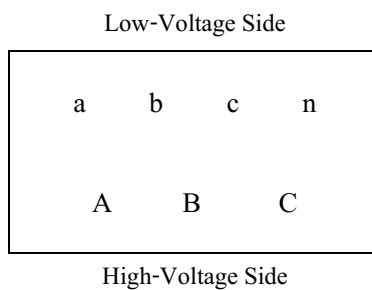


Figure 5 50-250 kVA Tank top view

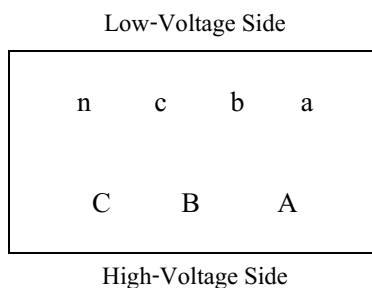


Figure 6 315 -2,000 kVA Tank top view



การไฟฟ้าส่วนภูมิภาค
PROVINCIAL ELECTRICITY AUTHORITY

PROVINCIAL ELECTRICITY AUTHORITY

TECHNICAL SPECIFICATION DIVISION

THREE-PHASE TRANSFORMERS FOR 22 kV AND 33 kV 50 Hz DISTRIBUTION SYSTEMS WITH ABILITY TO WITHSTAND SHORT CIRCUIT

Specification No. RTRN-035/2561

Approved date : 30/05/2562

Rev. No. : 5

Form No. 02-3S

Page 15 of 32

The letters A, B, C, a, b, c, and n shall be durable marked on transformer tank beside bushings consequently. The height of the symbols shall not less than 30 mm.

Mark by sticker is not accepted.

1c.18 Mass

For 50 kVA to 160 kVA transformers: Mass of complete transformer with oil and accessories shall not be more than 1,000 kg.

For 250 kVA transformers: Mass of complete transformer with oil and accessories shall not be more than 1,200 kg.

Tolerance of the mass of proposed complete transformers with oil shall be within ± 5 percent of the declared mass of transformer which passed type test given by the bidders in 2a Performance data and guarantee of three-phase transformer (Page 28 of 32) but the maximum mass shall not exceed the above allowable mass.

If the mass of complete transformers with oil more than ± 5 percent of the declared mass or exceed the above allowable mass, the transformers shall be rejected.

1d Packing

For transformers manufactured outside the territories of Thailand, each transformer shall be seaworthy packed in individual export crate or wooden case which will not be returned.

For transformers manufactured within the territories of Thailand, each transformer shall be packed in individual crate or wooden case which will not be returned.

Only for 50 kVA to 160 kVA transformers for 22 kV systems and 50 kVA to 100 kVA transformers for 33 kV systems, each crate or wooden case shall be strong enough for stacking over with at least another one.

If the crate or wooden case is made of rubber wood (Yang-para), the wooden parts shall be treated with wood preservative.

The details of wood treatment shall be described.

1e Tests and test reports

1e.1 Routine test

Each transformer shall pass the manufacturer's standard routine tests, and also pass the following tests in accordance with the relevant standards:

- (1) Measurement of winding resistance (IEC 60076-1)
- (2) Measurement of voltage ratio and check of phase displacement (IEC 60076-1)
- (3) Measurement of short-circuit impedance and load loss (IEC 60076-1)
- (4) Measurement of no-load loss and current (IEC 60076-1)



การไฟฟ้าส่วนภูมิภาค
PROVINCIAL ELECTRICITY AUTHORITY

PROVINCIAL ELECTRICITY AUTHORITY

TECHNICAL SPECIFICATION DIVISION

THREE-PHASE TRANSFORMERS FOR 22 kV AND 33 kV 50 Hz DISTRIBUTION SYSTEMS WITH ABILITY TO WITHSTAND SHORT CIRCUIT

Specification No. RTRN-035/2561

Approved date : 30/05/2562

Rev. No. : 5

Form No. 02-3S

Page 16 of 32

(5) Applied voltage test (IEC 60076-1 and IEC60076-3)

(6) Induced voltage withstand test (IEC 60076-1 and IEC60076-3)

The Item offered without submitting the list of routine test report shall be rejected.

1e.2 Type test and Short-circuit withstand test

For transformers rating of 50 kVA to 250 kVA and the reference transformers

For transformers rating of 50 kVA to 250 kVA and the reference transformers, these transformers shall be passed all items of type test and short circuit withstand test according to **1e.2.2 Test procedure of Type test and Short-circuit withstand test**. The test result shall be included in one (1) test report. The test report shall be issued or approved by the same acknowledged independent testing laboratory according to **1e.3 Acknowledged independent testing laboratories**, otherwise will be rejected.

For the others rating which are not the reference transformers

The transformers shall be passed the following type tests in accordance with the relevant standards:

(1) Temperature-rise test (IEC 60076-2)

(2) Full wave lightning impulse test (IEC 60076-1 and IEC 60076-3)

(3) Measurement of no-load loss and current at 90 % and 110 % of rated voltage (IEC 60076-1)

Type test shall be made on only one (1) unit of each rating. The test result shall be included in one (1) test report. The test report shall be issued or approved by the same acknowledged independent testing laboratory according to **1e.3 Acknowledged independent testing laboratories**, otherwise will be rejected.

1e.2.1 Short-circuit withstand test

The transformers shall be designed and constructed to withstand without damage by the thermal and dynamic effects of the external short circuit in accordance with the IEC 60076-5.

The duration of the current I to be used for the calculation of the thermal ability to withstand short circuit shall be 2 s and the initial temperature for calculation shall be 105°C.

Test procedure of short-circuit withstand test shall be according to **1e.2.2 Test procedure of Type test and Short-circuit withstand test**.

The total number of tests shall be nine made in a different position of the tap-changer according to IEC 60076-5. The duration of each test shall be 0.5 s



การไฟฟ้าส่วนภูมิภาค
PROVINCIAL ELECTRICITY AUTHORITY

PROVINCIAL ELECTRICITY AUTHORITY

TECHNICAL SPECIFICATION DIVISION

THREE-PHASE TRANSFORMERS FOR 22 kV AND 33 kV 50 Hz DISTRIBUTION SYSTEMS WITH ABILITY TO WITHSTAND SHORT CIRCUIT

Specification No. RTRN-035/2561

Approved date : 30/05/2562

Rev. No. : 5

Form No. 02-3S

Page 17 of 32

1e.2.2 Test procedure of Type test and Short-circuit withstand test

Each transformer, as delineated by its own unique serial number, is required to pass a complete type test and short-circuit withstand test following the procedures listed below:

- (1) Prior to short circuit testing, each individual transformer must pass the routine test, measurement of no-load loss and current at 90 % and 110 % of rated voltage and temperature-rise tests. Criteria for the temperature-rise test is presented in **1c.8 "Limits of temperature-rise"**
- (2) Upon successfully passing the temperature-rise test, each transformer must then successfully pass a short circuit withstand test
- (3) Finally, lightning impulse shall be tested and all the routine tests including measurement of no-load loss and current at 90 % and 110 % of rated voltage shall be repeated. Each transformer shall pass the routine test, measurement of no-load loss and current at 90 % and 110 % of rated voltage and lightning impulse test.

The impulse test sequence is applied to each of line terminal of the tested winding in succession. The other line terminals of the transformer shall be earthed directly or through an impedance.

If the laboratories intend to use PEA's power system as power supply for the short-circuit withstand testing, the transformer's manufacturer or the laboratories shall submit technical documents of the test such as test procedure, test circuit diagram, test and protection equipment, testing date and calculation of voltage drop in PEA's power system caused by the test to PEA for consideration and approval before the tests are proceeded.

It is responsible of the laboratories to compensate all failure or damage occurred to PEA's power system caused by the test.

PEA reserves the right to send representatives to witness the test.

The cost of all tests and reports shall be borne by the bidders/manufacturers/contractor.

1e.2.3 Type test and short circuit test report

For 50 to 250 kVA transformers, the bidders have to submit the type test and short circuit test report of the identical transformer (purchased transformer) with the bid, otherwise shall be rejected

For transformers which rated power more than 250 kVA, the bidders have to submit the following document with the bid, otherwise shall be rejected.

- (1) The type test report of the identical transformer (purchased transformer), and
- (2) The short circuit test report of identical transformer (purchased transformer) or the reference transformer according to **1e.2.2 Test procedure of Type test and Short-circuit withstand test**, and
- (3) The calculation report⁽¹⁾ and others information according to **APPENDIX 1**.

Note

- ⁽¹⁾ In case of the bidders submit the short circuit test report of the reference transformer, calculation report and others information shall be submitted.



การไฟฟ้าส่วนภูมิภาค
PROVINCIAL ELECTRICITY AUTHORITY

PROVINCIAL ELECTRICITY AUTHORITY

TECHNICAL SPECIFICATION DIVISION

THREE-PHASE TRANSFORMERS FOR 22 kV AND 33 kV 50 Hz DISTRIBUTION SYSTEMS WITH ABILITY TO WITHSTAND SHORT CIRCUIT

Specification No. RTRN-035/2561

Approved date : 30/05/2562

Rev. No. : 5

Form No. 02-3S

Page 18 of 32

The type test and short-circuit withstand test report of the transformers which are conducted or inspected by Thailand's national laboratories/institutes shall be valid within five (5) years count from the issued date in the test reports to the bid closing date.

For the type test and short-circuit withstand test report of the transformers which are conducted or inspected by laboratories/institutes, with in other countries shall be valid within ten (10) years count from the issued date in the test reports to the bid closing date.

PEA will also accept other documents instead of the type test and short-circuit withstand test reports in the following conditions:

- (1) In case the proposed transformer has been supplied to PEA and get the order from PEA's Procurement Department or Substation Work Department or Transmission and Distribution System Work Department (from PEA's head office), the Purchase Order (PO) or Contact with List of suppliers or Proposal form can be submitted, or
- (2) In case the proposed transformer has been registered for PEA Product Acceptance, the not-expired registration certificate counted to the bid closing date can be submitted, or
- (3) In case the proposed transformer has been registered for Product lists for substation turnkey project, the not-expired registration certificate counted to the bid closing date can be submitted instead

However the document in case (1), (2) and (3) shall be proved that the transformer specified in the PO or Contract with List of suppliers or Proposal form or registration certificate shall be the same product, type/model and all ratings as the proposed transformer for this bid.

The cost of all tests and reports shall be borne by the bidders/manufacturers/contractor.

1e.3 Acknowledged independent testing laboratories

The type test and short-circuit withstand test shall be conducted or inspected by the acknowledged testing laboratories/institutes as follows:

- (1) Laboratories/institutes which are members of the Short-circuit Testing Liaison (STL) or independent laboratories/institutes which are accredited according to TIS 17025 or ISO/IEC 17025 with the scope of accreditation covered the relevant test items, standards and equipment. The certification and scope of accreditation of the independent laboratories/institutes shall be submitted with the bid for consideration.

The bidders or manufacturers who are accredited according to TIS 17025 or ISO/IEC 17025 preferring to carry out the type tests and short-circuit withstand test of the transformers with the laboratories or by the manufacturers themselves, the tests shall be inspected by Thailand's



การไฟฟ้าส่วนภูมิภาค
PROVINCIAL ELECTRICITY AUTHORITY

PROVINCIAL ELECTRICITY AUTHORITY

TECHNICAL SPECIFICATION DIVISION

THREE-PHASE TRANSFORMERS FOR 22 kV AND 33 kV 50 Hz DISTRIBUTION SYSTEMS WITH ABILITY TO WITHSTAND SHORT CIRCUIT

Specification No. RTRN-035/2561

Approved date : 30/05/2562

Rev. No. : 5

Form No. 02-3S

Page 19 of 32

national laboratories, institutes, universities and electric utilities in (2) and other laboratories, institutes, universities or electric utilities approved by PEA.

- (2) Thailand's national laboratories, institutes, universities and electric utilities, as follow:
 - Electricity Generating Authority of Thailand (EGAT)
- (3) Other laboratories, institutes, universities or electric utilities approved by PEA. In this case, the detail of the test facilities of the laboratories shall be submitted to PEA for approval before proceeding the tests and before the bid closing date. PEA reserves the right to send representatives to inspect and witness the tests with the cost of the bidders or manufacturers.

1e.4 The information in the Test report

The minimum information of the transformer in the type test and short-circuit withstand test report shall be the following items:

1. Transformer information

- (1) Manufacturer's name
- (2) Model
- (3) Manufacturer's serial number
- (4) Number of phase
- (5) Rated voltage of the high-voltage winding
- (6) Rated voltage of the low-voltage winding
- (7) Rated voltage ratio
- (8) Rated frequency
- (9) Rated power
- (10) Rated current of the high-voltage winding
- (11) Rated current of the low-voltage winding
- (12) Short-circuit impedance at 75°C
- (13) Connection symbol
- (14) Cooling method
- (15) Total mass
- (16) Mass of core and winding
- (17) Oil quantity
- (18) Highest voltage for equipment applicable the high-voltage winding
- (19) Highest voltage for equipment applicable the low-voltage winding
- (20) Rated insulation level
- (21) Type of construction
- (22) High-voltage winding type and material



การไฟฟ้าส่วนภูมิภาค
PROVINCIAL ELECTRICITY AUTHORITY

PROVINCIAL ELECTRICITY AUTHORITY

TECHNICAL SPECIFICATION DIVISION

THREE-PHASE TRANSFORMERS FOR 22 kV AND 33 kV 50 Hz DISTRIBUTION SYSTEMS WITH ABILITY TO WITHSTAND SHORT CIRCUIT

Specification No. RTRN-035/2561

Approved date : 30/05/2562

Rev. No. : 5

Form No. 02-3S

Page 20 of 32

- (23) Low-voltage winding type and material
- (24) Cross-section of the conductor in the high-voltage winding
- (25) Cross-section of the conductor in the low-voltage winding
- (26) Number of strands per turn of high voltage winding
- (27) Number of strands per turn of low voltage winding
- (28) Number of strands radially across the layer (for all turns) of high voltage winding
- (29) Number of strands radially across the layer (for all turns) of low voltage winding
- (30) Total number of turns per phase
- (31) Number of turns each tap

2. Drawing

- (1) Overall dimensions of transformer
- (2) Tank dimension
- (3) Drawing of cross section area of core
- (4) Drawing of active part
- (5) Drawing which show the core and coil information according to **Figure 7**

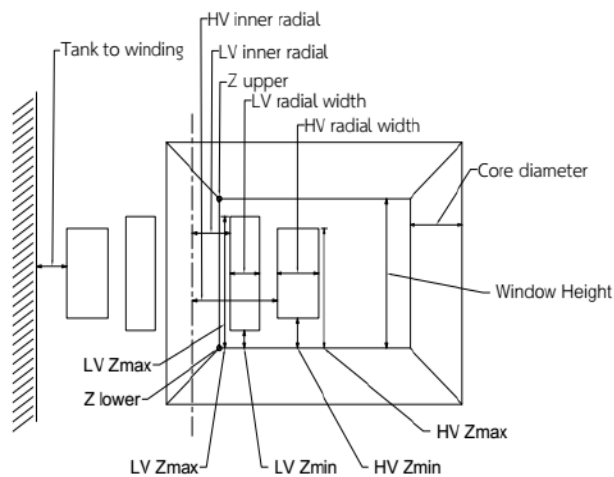


Figure 7: Core and coil constructions.

3. Photograph of transformers

The color photograph which reveal transformer construction for out-of-tank inspection before and after short-circuit withstand test shall be in the short-circuit withstand test report.

In case the information in the reports are not completed according to the above requirement, the bidders will be rejected.



การไฟฟ้าส่วนภูมิภาค
PROVINCIAL ELECTRICITY AUTHORITY

PROVINCIAL ELECTRICITY AUTHORITY

TECHNICAL SPECIFICATION DIVISION

THREE-PHASE TRANSFORMERS FOR 22 kV AND 33 kV 50 Hz DISTRIBUTION SYSTEMS WITH ABILITY TO WITHSTAND SHORT CIRCUIT

Specification No. RTRN-035/2561

Approved date : 30/05/2562

Rev. No. : 5

Form No. 02-3S

Page 21 of 32

1e.5 Acceptance test items and acceptance test procedures

1e.5.1 Acceptance test items

The sample of transformers shall pass the following tests in accordance with the IEC 60076 and IEC 60156 standards:

- (1) Measurement of winding resistance (IEC 60076-1)
- (2) Measurement of voltage ratio and check of phase displacement (IEC 60076-1)
- (3) Measurement of short-circuit impedance and load loss (IEC 60076-1)
- (4) Measurement of no-load loss and current (IEC 60076-1)
- (5) Applied voltage test (IEC 60076-1 and IEC60076-3)
- (6) Induced voltage withstand test (IEC 60076-1 and IEC60076-3)
- (7) Oil Dielectric Breakdown voltage test (IEC 60156)
- (8) Temperature-rise test (IEC 60076-2)⁽¹⁾
- (9) Full wave lightning impulse test (IEC 60076-3)⁽¹⁾
- (10) Short-circuit withstand test (IEC 60076-5)⁽²⁾ (only for transformer rating of 50-250 kVA)
- (11) Dry film thickness test, the dry film thickness test procedure shall be according to **1c.12.1**

Painting system

Note

⁽¹⁾ The Items (8) and (9) shall be tested on one (1) unit for each contract at the PEA laboratory or Acknowledged independent laboratories approved by PEA as specified in **1e.3 Acknowledged independent testing laboratories** or manufacturer laboratories depending on PEA's acceptance committee

⁽²⁾ The Items (10) shall be tested on one (1) unit for each contract at Acknowledged Independent laboratories depend on PEA's acceptance committee approved by PEA as specified in **1e.3 Acknowledged independent testing laboratories**.

Any transformers which are out-of-tank for inspection in short-circuit withstand test, the insulating oil shall be dehydration at manufacture's factory and oil dielectric breakdown voltage shall be retested. The report of oil dielectric breakdown voltage test shall be submitted to PEA before shipment/delivery, for each ordered transformer.

1e.5.2 Acceptance test procedures

PEA's acceptance committee will select the sample of each lot, the number of transformer per lot according to **Table 10**. All sampling units shall be transported to PEA laboratory or Acknowledged independent laboratories for testing according to **1e.5.1 Acceptance test items**. The transportation shall be carried out by the contractor.



การไฟฟ้าส่วนภูมิภาค
PROVINCIAL ELECTRICITY AUTHORITY

PROVINCIAL ELECTRICITY AUTHORITY

TECHNICAL SPECIFICATION DIVISION

**THREE-PHASE TRANSFORMERS FOR 22 kV AND 33 kV 50 Hz DISTRIBUTION SYSTEMS
WITH ABILITY TO WITHSTAND SHORT CIRCUIT**

Specification No. RTRN-035/2561

Approved date : 30/05/2562

Rev. No. : 5

Form No. 02-3S

Page 22 of 32

Table 10 The number of sample and criteria for consideration

Number of transformer per lot (Unit)	Sample size of transformers for acceptance test (Unit)	Maximum number of sample failing in the acceptance test (Unit)
2 to 15	2	0
16 to 25	3	0
26 to 90	5	0
91 to 150	8	0
151 to 500	13	1
More than 500	20	1

The number of failing units shall not more than the maximum number of failing sample in the acceptance test according to **Table 10**. Otherwise, the transformers in that lot shall be rejected.

In case the failing units are not more than the maximum number of failing sample in the acceptance test according to **Table 10**, the contractor has to take responsibility as following procedure.

- (1) The contractor has to recheck all delivered transformers in that lot and repair or fix the defective transformers in that lot.
- (2) The contractor shall analyze the problem and send the report to PEA's acceptance committee before the lot accepted.
- (3) The transformers which are repaired or fixed in that lot shall be retested only in the relevant test items according to **1e.5.1 Acceptance test items**.

After the test, the transformers shall be rebuilt completely by the contractor with free of charge and send back to PEA with the same amount of the samples.

1f Inspection

To ensure about the quality of transformers, the inspection shall be carried out by the PEA's representative (PEA's witness committee) at following two stages:

- At anytime during receipt of raw material and manufacture/ assembly whenever the PEA desires.
- At finished stage i.e. transformers are fully assembled and are ready for dispatch.



การไฟฟ้าส่วนภูมิภาค
PROVINCIAL ELECTRICITY AUTHORITY

PROVINCIAL ELECTRICITY AUTHORITY

TECHNICAL SPECIFICATION DIVISION

THREE-PHASE TRANSFORMERS FOR 22 kV AND 33 kV 50 Hz DISTRIBUTION SYSTEMS WITH ABILITY TO WITHSTAND SHORT CIRCUIT

Specification No. RTRN-035/2561

Approved date : 30/05/2562

Rev. No. : 5

Form No. 02-3S

Page 23 of 32

C2 Material and packing data to be given by bidders

The bidders have to submit the following data and details of transformers and accessories with the bid:

2a Performance data and guarantee of three-phase transformers. (See pages 26 to 30 of 32)

2b Drawing of inside tank and overall transformer with dimensions in mm showing of particulars of normal construction details.

2c Drawings, with dimensions in mm, of the following accessories:

1. HV and LV bushings
2. Terminal connectors, on HV and LV bushings, with description of materials used for the component parts
3. Nameplate with connection diagram
4. Valve, showing the internal construction
5. Earthing terminal connector
6. Dehydrating breather, and details of coupling (if any)
7. Bracket for surge arrester
8. Earthing terminal for surge arrester
9. Lifting lug
10. Lifting eye
11. Pressure relief valve
12. Thermometer pocket
13. Oil level gauge
14. Oil filling plug
15. Supporting lugs
16. Compression type of cable lug
17. Sludge drain plug
18. Accessories according to manufacturer's design, if any

2d Catalogues and/or drawings with details of the following accessories:

1. Dial type thermometer
2. Double float Buchholz relay
3. Pressure-relief valve
4. Bird guard
5. Core
6. HV and LV Winding
7. Off load tap changer



การไฟฟ้าส่วนภูมิภาค
PROVINCIAL ELECTRICITY AUTHORITY

PROVINCIAL ELECTRICITY AUTHORITY

TECHNICAL SPECIFICATION DIVISION

THREE-PHASE TRANSFORMERS FOR 22 kV AND 33 kV 50 Hz DISTRIBUTION SYSTEMS WITH ABILITY TO WITHSTAND SHORT CIRCUIT

Specification No. RTRN-035/2561

Approved date : 30/05/2562

Rev. No. : 5

Form No. 02-3S

Page 24 of 32

8. Insulation paper
9. Gaskets
10. Oil drain vale
11. Accessories according to manufacturer's design, if any

2e Dry film thickness test report

2f Type test and Short-circuit withstand test report

2g List of routine test

2h Drawing of core and coil construction

2i Specifications of transformer oil and test report

2j HV and LV Bushing test report

2k Others necessary information in order to show that the special test report can prove the performance of the proposed transformers.

2l Bidders shall propose and quote for recommended spare part list with separate price for each offered item (e.g., bushings)

2m Packing details

Packing method (shown by drawing(s), and describe packing materials)

Number of transformers in one (1) crate or wooden case (one)

Overall dimensions (L x W x H) of each crate or wooden case in cm

Volume of each crate or wooden case in m³

Gross weight of each crate or wooden case in kg

Number of crates or wooden cases

2n Critical documents of the transformers (See page 25 of 32)

The lists of documents shall be fulfilled and submitted with the bid.



การไฟฟ้าส่วนภูมิภาค
PROVINCIAL ELECTRICITY AUTHORITY

PROVINCIAL ELECTRICITY AUTHORITY

TECHNICAL SPECIFICATION DIVISION

**THREE-PHASE TRANSFORMERS FOR 22 kV AND 33 kV 50 Hz DISTRIBUTION SYSTEMS
WITH ABILITY TO WITHSTAND SHORT CIRCUIT**

Specification No. RTRN-035/2561

Approved date : 30/05/2562

Rev. No. : 5

Form No. 02-3S

Page 25 of 32

The Critical documents of the transformers

No.	Required documents	Proposed technical document	Reference document (Page/Item)
1	HV and LV Bushing test report	<input type="checkbox"/> Yes <input type="checkbox"/> No	
2	Dry film thickness test report	<input type="checkbox"/> Yes <input type="checkbox"/> No	
3	List of routine test report	<input type="checkbox"/> Yes <input type="checkbox"/> No	
4	<u>For 50-250 kVA and the reference transformer</u> Type test and Short-circuit withstand test report <u>For transformer more than 250 kVA and is not the reference transformer</u> Type test report and calculation report and accessories information, or	<input type="checkbox"/> Yes <input type="checkbox"/> No	
	The copy of previous Purchase Order (PO) or Contract with List of suppliers or Proposal form, or	<input type="checkbox"/> Yes <input type="checkbox"/> No	
	PEA Product Acceptance registration certificate, or	<input type="checkbox"/> Yes <input type="checkbox"/> No	
	Product lists registration certificate	<input type="checkbox"/> Yes <input type="checkbox"/> No	
5	The TIS 17025 or ISO/IEC 17025 certification and scope of accreditation of the independent laboratories/institutes (in case the independent laboratories/institutes are accredited according to TIS 17025 or ISO/IEC 17025)	<input type="checkbox"/> Yes <input type="checkbox"/> No	
6	Performance data and guarantee of the three-phase transformers. (pages 26 to 30 of 32)	<input type="checkbox"/> Yes <input type="checkbox"/> No	
7	Drawing of inside tank and overall transformer with dimensions in mm showing of particulars of normal construction details.	<input type="checkbox"/> Yes <input type="checkbox"/> No	
8	Drawings, with dimensions in mm according to 2c	<input type="checkbox"/> Yes <input type="checkbox"/> No	
9	Catalogues and/or drawings with details according to 2d	<input type="checkbox"/> Yes <input type="checkbox"/> No	
10	Drawing of core and coil construction according to 2h	<input type="checkbox"/> Yes <input type="checkbox"/> No	
11	Specifications of transformer oil and test report according to 2i	<input type="checkbox"/> Yes <input type="checkbox"/> No	
12	Packing detail(s) according to 2m	<input type="checkbox"/> Yes <input type="checkbox"/> No	

The items offered without submitting the critical documents shall be rejected



การไฟฟ้าส่วนภูมิภาค
PROVINCIAL ELECTRICITY AUTHORITY

PROVINCIAL ELECTRICITY AUTHORITY

TECHNICAL SPECIFICATION DIVISION

**THREE-PHASE TRANSFORMERS FOR 22 kV AND 33 kV 50 Hz DISTRIBUTION SYSTEMS
WITH ABILITY TO WITHSTAND SHORT CIRCUIT**

Specification No. RTRN-035/2561

Approved date : 30/05/2562

Rev. No. : 5

Form No. 02-3S

Page 26 of 32

ประกวดราคาอิเล็กทรอนิกส์ เลขที่ กจพ1-มป-010-2567

2a Performance data and guarantee of three-phase transformers

Item

Manufacturer's name and country of origin		
Type or model		
Applied standard		
Rated power	kVA	
Rated frequency	Hz	
Rated primary voltage	V	
Rated secondary voltage	V	
Connection symbol	Dyn11	
Type of oil preservation system	-	
Operation duty: continuous operation (Type DB)	Yes/No	
Max. temperature rise of winding (at full load)	K	
Max. temperature rise of top oil (at full load)	K	
Primary tapping: off-circuit condition	Yes/No	
Number of steps of primary tapping	Steps	
Per cent of rated voltage of each tapping	%	
No-load current & Tolerance	% & %	&
Short-circuit impedance at 75°C & Tolerance	% & %	&
Losses , for each transformer unit		
No-load loss plus positive tolerance	W	
Load loss, plus positive tolerance, at 75°C	W	
Efficiency in %, at 75°C and at load:		
- 1/2 of rated power and P.F. = 1.0	%	
- 1 of rated power and P.F. = 1.0	%	
Voltage regulation at P.F. = 1.0	%	



การไฟฟ้าส่วนภูมิภาค
PROVINCIAL ELECTRICITY AUTHORITY

PROVINCIAL ELECTRICITY AUTHORITY

TECHNICAL SPECIFICATION DIVISION

**THREE-PHASE TRANSFORMERS FOR 22 kV AND 33 kV 50 Hz DISTRIBUTION SYSTEMS
WITH ABILITY TO WITHSTAND SHORT CIRCUIT**

Specification No. RTRN-035/2561

Approved date : 30/05/2562

Rev. No. : 5

Form No. 02-3S

Page 27 of 32

Item

Bushings		HV	LV
		- Manufacturer's name	-
- Country of origin	-		
- Applied standard	-		
- Rated current	A		
- Full-wave impulse withstand voltage, or BIL	kV, peak		
- Low-frequency dry 1-minute test voltage	kV, r.m.s.		
- Low-frequency wet 10-second test voltage	kV, r.m.s.		
- Protection class	-		
- Colour of glazing	-		
- Stud thread size, Metric	-		
Secondary neutral point is loaded with rated current	Yes/No		
Terminal connectors on HV and LV bushings			
- Manufacturer's name	-		
- For copper conductor diameter range (HV side)	mm		
- For aluminium conductor diameter range (HV side)	mm		
- For copper conductor diameter range (LV side)	mm		
- For aluminium conductor diameter range (LV side)	mm		
- Number of circuits, take-off (LV side)	Circuits		
- Terminal pads are according to PEA's Drawing No. SA4-015/47002	Yes/No		
Winding		HV	LV
- Manufacturer's name (the bidders have to quote not more than three (3) manufacturers)	-		
- Country of origin	-		
- Material: copper	Yes/No		
- Type of enamel or insulating material of wire	-		
- Size of wire			
- for HV side (diameter)	mm		
- for LV side (dimension)	mm x mm		
- Resistance per phase at 75°C	Ohm		



การไฟฟ้าส่วนภูมิภาค
PROVINCIAL ELECTRICITY AUTHORITY

PROVINCIAL ELECTRICITY AUTHORITY

TECHNICAL SPECIFICATION DIVISION

**THREE-PHASE TRANSFORMERS FOR 22 kV AND 33 kV 50 Hz DISTRIBUTION SYSTEMS
WITH ABILITY TO WITHSTAND SHORT CIRCUIT**

Specification No. RTRN-035/2561

Approved date : 30/05/2562

Rev. No. : 5

Form No. 02-3S

Page 28 of 32

Item

- Full-wave impulse withstand voltage, or BIL	kV, peak	
- Power-frequency test voltage, 1 min	kV, r.m.s.	
- Construction of winding	-	
- Current density	A/mm ²	
- Number of layer per coil	-	
- Number of turns of each coil in tap No.3	Turns	
- Number of turns of each tapping position	Turns	
- Total turns of each coil	Turns	
Core		
- Manufacturer's name (the bidders have to quote not more than three (3) manufacturers)	-	
- Country of origin	-	
Pressure relief valve		
- Manufacturer's name	-	
- Country of origin	-	
- Type or model	-	
- Operating pressure	kg/cm ²	
- Flow rate at..... kg/cm ²	cc/sec	
Method of cooling	-	
Total cooling surface	m ²	
Brand of oil used for initial filling	-	
Completely assembled transformer shall withstand, without permanent deformation, a maximum pressure of	kg/cm ²	
Colour of tank: grey (RAL 7036)	Yes/No	
Tank finish conforms to PEA's requirement	Yes/No	
Quantity of oil filling	liters	
Mass of core	kg	
Mass of winding	kg	
Mass of the part liftable from tank	kg	
Mass of complete transformer with oil	kg	
Terminal markings and connections conform to PEA's requirement	Yes/No	



การไฟฟ้าส่วนภูมิภาค
PROVINCIAL ELECTRICITY AUTHORITY

PROVINCIAL ELECTRICITY AUTHORITY

TECHNICAL SPECIFICATION DIVISION

**THREE-PHASE TRANSFORMERS FOR 22 kV AND 33 kV 50 Hz DISTRIBUTION SYSTEMS
WITH ABILITY TO WITHSTAND SHORT CIRCUIT**

Specification No. RTRN-035/2561

Approved date : 30/05/2562

Rev. No. : 5

Form No. 02-3S

Page 29 of 32

Item

<p>Tank</p> <ul style="list-style-type: none"> - Thickness of side wall - Thickness of top plate - Thickness of bottom plate <p>Internal dimensions</p> <ul style="list-style-type: none"> - Height - Width - Depth 	<p>mm</p> <p>mm</p> <p>mm</p> <p>mm</p> <p>mm</p> <p>mm</p> <p>mm</p>	
<p>Dimensions of transformer</p> <ul style="list-style-type: none"> Overall height Overall width Overall depth Height over cover 	<p>mm</p> <p>mm</p> <p>mm</p> <p>mm</p>	
<p>Total dry film thickness</p>	<p>µm</p>	
<p>Fin</p> <ul style="list-style-type: none"> - Fin radiators or Corrugated thickness - Dimension of each fin (LxBxT) <p>Number of Fins per radiator</p> <ul style="list-style-type: none"> - Side of tank - Front of tank - Total number of fin 	<p>mm</p> <p>mm</p> <p>-</p> <p>-</p> <p>-</p>	
<p>Bushing clearance</p> <p>Please fill in the shortest of clearance</p> <ul style="list-style-type: none"> LV to earth HV to earth Between LV bushing Between HV bushing 	<p>mm</p> <p>mm</p> <p>mm</p> <p>mm</p> <p>mm</p>	
<p>Detail documents of Item 1 on Page 31 to 32 of 32 shall be sent to PEA before shipment/delivery</p>	<p>Yes/No</p>	



การไฟฟ้าส่วนภูมิภาค
PROVINCIAL ELECTRICITY AUTHORITY

PROVINCIAL ELECTRICITY AUTHORITY

TECHNICAL SPECIFICATION DIVISION

THREE-PHASE TRANSFORMERS FOR 22 kV AND 33 kV 50 Hz DISTRIBUTION SYSTEMS WITH ABILITY TO WITHSTAND SHORT CIRCUIT

Specification No. RTRN-035/2561

Approved date : 30/05/2562

Rev. No. : 5

Form No. 02-3S

Page 30 of 32

Item

X/R ratio	-	
Rated short circuit current and withstanding duration		
- Current	kA	
- Duration	s	
Duration of overload		
- 25% overload	Minutes	
- 50% overload	Minutes	
Magnetic flux density	Tesla	
Other :		



การไฟฟ้าส่วนภูมิภาค
PROVINCIAL ELECTRICITY AUTHORITY

PROVINCIAL ELECTRICITY AUTHORITY

TECHNICAL SPECIFICATION DIVISION

THREE-PHASE TRANSFORMERS FOR 22 kV AND 33 kV 50 Hz DISTRIBUTION SYSTEMS WITH ABILITY TO WITHSTAND SHORT CIRCUIT

Specification No. RTRN-035/2561

Approved date : 30/05/2562

Rev. No. : 5

Form No. 02-3S

Page 31 of 32

Note: Conditions for documentation and consideration

1. The Contractor has to supply the following documents in English and/or Thai, before shipment/delivery, for each ordered transformer:
 - 1.1 Report of routine tests
 - 1.2 Number of turns of each winding, each coil, and each tapping position
 - 1.3 Mass of HV windings and of LV windings
 - 1.4 Type of enamel, temperature class, and size of the enameled wire
 - 1.5 Information for Reference (only one(1) unit per contract). The following information for each transformer shall be submitted for maintenance purpose.
 - Coil height for each winding before assembly and after complete assembly.
 - Torque value on clamping bolts or pressure for each winding before assembly and after complete assembly.
 - Photograph of each coil for each phase and photograph of core and coils assembly. The photograph of each coil shall be taken from the final production process before placing to the core, top view and front view shall be provided. The photograph of core and coils assembly shall be taken just prior to place the completed core and coils assembly into the tank, top view, front view, right view, left view and rear view shall be provided for complete set of photographs. All photographs shall be 216 mm (8-1/2 in) by 280 mm (11 in) gloss prints properly labeled relevant to the view taken.
 - 1.6 Invoice and Test report of the following material and accessories used in each supply shall be submitted.
 - Transformer oil
 - Silicon steel
 - Copper conductor
 - Insulation paper and pressboard
 - Pressure relief
 - Gaskets
 - Bushing
 - Transformer supervisory equipment



การไฟฟ้าส่วนภูมิภาค
PROVINCIAL ELECTRICITY AUTHORITY

PROVINCIAL ELECTRICITY AUTHORITY

TECHNICAL SPECIFICATION DIVISION

THREE-PHASE TRANSFORMERS FOR 22 kV AND 33 kV 50 Hz DISTRIBUTION SYSTEMS WITH ABILITY TO WITHSTAND SHORT CIRCUIT

Specification No. RTRN-035/2561

Approved date : 30/05/2562

Rev. No. : 5

Form No. 02-3S

Page 32 of 32

The above documents shall be sent to the following address:

Transformer Division
Provincial Electricity Authority
200 Ngam Wong Wan Road, Chatuchak
Bangkok Metropolis 10900
Thailand

2. If the material and packing data given by bidders, which are mentioned on Pages 23 to 24 of 32 are estimated or approximated, the bid may be rejected.
3. Delivery time is also one of the important factors to be considered.
4. Partial shipment/delivery is allowed.



การไฟฟ้าส่วนภูมิภาค
PROVINCIAL ELECTRICITY AUTHORITY

PROVINCIAL ELECTRICITY AUTHORITY

TECHNICAL SPECIFICATION DIVISION

THREE-PHASE TRANSFORMERS FOR 22 kV AND 33 kV 50 Hz DISTRIBUTION SYSTEMS WITH ABILITY TO WITHSTAND SHORT CIRCUIT

Specification No. RTRN-035/2561

Approved date : 04 NOV 2020

Rev. No. : 6

Form No. 02-3S

Page 1 of 3

APPENDIX 1

Comparison Method

In case the ability to withstand the dynamic short circuit is demonstrated by comparison between the reference transformer and similar transformer. In this case the bidders have to submit the short circuit test report of the reference transformer, calculation report of short circuit force which using Finite Element Method (FEM) software, all necessary information according to **Table 3** Design data of the reference transformers and the proposed transformers as well as the necessary information in order to show that the short-circuit withstand test report can prove the performance of the proposed transformers with the bid.

The short circuit test procedure of the reference transformer shall be according to **1e.2.2 Test procedure of Type test and Short-circuit withstand test.**

For the ability to withstand the dynamic effects of short circuit test, the total number of tests shall be three made in a different position of the tap-changer according to IEC 60076-5. The duration of each test shall be 0.5 s

The transformer is considered similar or representative to another transformer (proposed transformers) taken as a reference if it has the following characteristics in common with the latter:

- (1) Same type of operation, for example generator step-up unit, distribution, interconnection transformer and same rated voltage according to **Table 1**;
- (2) Same conceptual design, for example dry-type, oil-immersed type, core type with concentric windings, sandwich type, shell type, circular coils, non-circular coils;
- (3) Same arrangement and geometrical sequence of the main windings;
- (4) Same type of winding conductors, for example, aluminium, aluminium alloy, annealed or hardened copper, metal foil, wire, flat conductor, continuously transposed conductors and epoxy bonding, if used;
- (5) Same type of main windings for example, helical-, disc-, layer-type, pancake coils;
- (6) Absorbed power at short circuit (rated power/per unit short-circuit impedance) between 30% and 130% of that relating to the reference unit, see **Table 2**;
- (7) Axial forces, radial forces, axial winding stresses and radial winding stresses occurring at short circuit not exceeding 120% of those in the reference unit. (Force shall be calculated by Finite element program such as FLD12 etc., Hand calculation shall be rejected)
- (8) Same manufacturing processes;
- (9) Same clamping and winding support arrangement.

In case the comparison method, the short-circuit withstand test report of the reference transformer and a calculation report as a result of the comparison between the reference transformer and proposed transformer shall be submitted with the bid. The calculation report shall give evidence the force and stress according to item (7) and all necessary information according to item (1) to (9).





การไฟฟ้าส่วนภูมิภาค
PROVINCIAL ELECTRICITY AUTHORITY

PROVINCIAL ELECTRICITY AUTHORITY

TECHNICAL SPECIFICATION DIVISION

**THREE-PHASE TRANSFORMERS FOR 22 kV AND 33 kV 50 Hz DISTRIBUTION SYSTEMS
WITH ABILITY TO WITHSTAND SHORT CIRCUIT**

Specification No. RTRN-035/2561

Approved date : **04 NOV 2020**

Rev. No. : 6

Form No. 02-3S

Page 2 of 3

Table 1

Type of operation and rated voltage of the proposed transformers similar to the reference transformers

Type and Rated voltage	The reference transformer	The proposed transformers
Type	3 Phase only	3 Phase
Rated primary voltage	22 kV	22 kV
Rated primary voltage	33 kV	33 kV
Rated secondary voltage (3 phase)	416/240 V	416/240 V

Table 2

Rated power of the proposed transformers similar to the reference transformers

	Rated power (kVA) of the reference transformers	Rated power (kVA) of the proposed transformers									
		315	400	500 ⁽¹⁾	630	800	1,000	1,250	1,500	2,000	
1	250	315		500 ⁽¹⁾							
2	315	315	400	500 ⁽¹⁾							
3	400	315	400	500 ⁽¹⁾	630						
4	500 ⁽¹⁾	315	400	500 ⁽¹⁾							
5	630	315	400	500 ⁽¹⁾	630	800					
6	800	315	400	500 ⁽¹⁾	630	800	1,000				
7	1,000	315	400	500 ⁽¹⁾	630	800	1,000	1,250			
8	1,250	315	400	500 ⁽¹⁾	630	800	1,000	1,250	1,500		
9	1,500	315	400	500 ⁽¹⁾	630	800	1,000	1,250	1,500		
10	2,000		400		630	800	1,000	1,250	1,500	2,000	

Note :

⁽¹⁾ Based on 6.5% short-circuit impedance. In case the impedance of 500 kVA transformer more than 6.5%, the bidders shall recalculate this table for PEA approval.





การไฟฟ้าส่วนภูมิภาค
PROVINCIAL ELECTRICITY AUTHORITY

PROVINCIAL ELECTRICITY AUTHORITY

TECHNICAL SPECIFICATION DIVISION

**THREE-PHASE TRANSFORMERS FOR 22 kV AND 33 kV 50 Hz DISTRIBUTION SYSTEMS
WITH ABILITY TO WITHSTAND SHORT CIRCUIT**

Specification No. RTRN-035/2561

Approved date : **04 NOV 2020**

Rev. No. : 6

Form No. 02-3S

Page 3 of 3

Table 3

Design data of the reference transformers and the proposed transformers

Description	Design value of the reference transformers		Design value of the proposed transformers	
Rating (kVA)				
% Short circuit impedance				
Construction of Core				
HV Windings, made of				
LV Windings, made of				
Construction of HV Windings (Layer or disk)				
Construction of LV Windings (Layer or Foil)				
HV Current density (please enclosed the calculation sheet)				
LV Current density (please enclosed the calculation sheet)				
Axial force (please enclosed software calculation sheet)	<u>HV</u>	<u>LV</u>	<u>HV</u>	<u>LV</u>
Axial stress (please enclosed software calculation sheet)	<u>HV</u>	<u>LV</u>	<u>HV</u>	<u>LV</u>
Radial force (please enclosed software calculation sheet)	<u>HV</u>	<u>LV</u>	<u>HV</u>	<u>LV</u>
Radial stress (please enclosed software calculation sheet)	<u>HV</u>	<u>LV</u>	<u>HV</u>	<u>LV</u>
Same arrangement of main windings and geometrical sequence as the reference unit (Yes/No) (please enclosed the winding detail drawing)				
Same clamping and supporting arrangement. (Yes/No) (please enclosed the clamping detail drawing)				



การไฟฟ้าส่วนภูมิภาค
PROVINCIAL ELECTRICITY AUTHORITY

PROVINCIAL ELECTRICITY AUTHORITY

TECHNICAL SPECIFICATION DIVISION

THREE-PHASE TRANSFORMERS FOR 22 kV AND 33 kV 50 Hz DISTRIBUTION SYSTEMS

WITH ABILITY TO WITHSTAND SHORT CIRCUIT

Specification No. RTRN-035/2561

Approved date : 16/12/2562

Rev. No. : 0

Form No.

Page 1 of 1

เอกสารเพิ่มเติมแนบท้ายรายละเอียดสเปค (ADDENDUM)

เอกสารเพิ่มเติมแนบท้ายรายละเอียดสเปค (ADDENDUM) นี้ให้ถือเป็นส่วนหนึ่งของสเปคอ้างอิงเลขที่ RTRN-035/2561

การทดสอบ Lightning impulse test

กำหนดรายละเอียดการทดสอบ lightning impulse test เพิ่มเติมในหัวข้อ 1e.2.2 Test procedure of Type test and Short-circuit withstand test ข้อ (3) และ 1 e.5 Acceptance test items and acceptance test procedures ดังต่อไปนี้

(1) Test connections

For the lightning impulse test on the LV windings ($U_m \leq 1.1$ kV), PEA will accept test connections as the following:

CASE 1:

The impulse test sequence is applied to each of line terminals of the tested winding in succession. The other line terminals of the transformer shall be earthed directly or through an impedance, or

CASE 2:

The impulse test is applied to all the LV terminals (including the LV neutral) connected together with the higher voltage terminals earthed.

(2) Test voltage

The standard lightning-impulse voltage and tolerances shall be in accordance with the IEC 60060-1 as the table below:

Description	HV	LV
Test voltage value	125 kV, peak $\pm 3\%$ (for 22 kV system) 170 kV, peak $\pm 3\%$ (for 33 kV system)	30 kV, peak $\pm 3\%$
Front time	1.2 μ s $\pm 30\%$	
Time to half-value	50 μ s $\pm 20\%$	
Relative overshoot magnitude	not exceed 10 %	

The minimum information on the waveshape in the test report shall consist of test voltage, front time (T1), time to half-value (T2) and overshoot.



การไฟฟ้าส่วนภูมิภาค
PROVINCIAL ELECTRICITY AUTHORITY

PROVINCIAL ELECTRICITY AUTHORITY

TECHNICAL SPECIFICATION DIVISION

THREE-PHASE TRANSFORMERS FOR 22 kV AND 33 kV 50 Hz DISTRIBUTION SYSTEMS WITH ABILITY TO WITHSTAND SHORT CIRCUIT

Specification No. RTRN-035/2561

Approved date: **04 NOV 2020**

Rev. No.: 0

Form No.

Page 1 of 2

เอกสารเพิ่มเติมแนบท้ายรายละเอียดสเปค 2

(ADDENDUM 2)

เอกสารเพิ่มเติมแนบท้ายรายละเอียดสเปค (ADDENDUM 2) นี้ให้ถือเป็นส่วนหนึ่งของสเปคอ้างอิงเลขที่ RTRN-035/2561

การทดสอบเพื่อการตรวจรับ (Acceptance test)

รายละเอียดการทดสอบเพื่อการตรวจรับนี้ ให้ใช้แทนหัวข้อ 1e.5.2 Acceptance test procedures ในสเปค

(1) การทดสอบเพื่อการตรวจรับตามหัวข้อ 1e.5.1(1) ถึง (7) และหัวข้อที่ (11)

ให้สุ่มตัวอย่างจากหม้อแปลงที่จัดส่งในแต่ละงวด โดยสุ่มตัวอย่างแต่ละรายการ (Item) ที่มีหมายเลขรหัสพัสดุเดียวกัน เกณฑ์การพิจารณาให้เป็นไปตามตารางที่ 1 ดังนี้

ตารางที่ 1

จำนวนหม้อแปลงที่ จัดส่งแต่ละงวด ⁽¹⁾ (เครื่อง)	จำนวนตัวอย่าง ที่ส่งทดสอบเพื่อการตรวจรับ (เครื่อง)	จำนวนตัวอย่างสูงสุด ที่ยอมรับให้ทดสอบไม่ผ่าน (เครื่อง)
2 ถึง 15	2	0
16 ถึง 25	3	0
26 ถึง 90	5	0
91 ถึง 150	8	0
151 ถึง 500	13	1
มากกว่า 500	20	1

⁽¹⁾ จำนวนหม้อแปลงที่จัดส่งในแต่ละงวด แยกตามหมายเลขรหัสพัสดุ

ทั้งนี้ หากจำนวนหม้อแปลงที่ไม่ผ่านการทดสอบมากกว่าจำนวนตัวอย่างสูงสุดที่ยอมรับให้ทดสอบไม่ผ่านตามตารางที่ 1 ให้คณะกรรมการตรวจรับพัสดุฯ ดำเนินการตามขั้นตอนการตรวจรับพัสดุในหลักเกณฑ์การตรวจรับพัสดุ กฟผ.

(2) การทดสอบเพื่อการตรวจรับตามหัวข้อ 1e.5.1(8), (9) และ (10) สำหรับงวดแรกของสัญญา ที่ผ่านการทดสอบในข้อ (1) มาแล้ว

2.1 ให้ทดสอบเพื่อการตรวจรับในแต่ละหัวข้อ โดยพิจารณาจากจำนวนหม้อแปลงทั้งหมดในสัญญาในแต่ละรายการ (Item) ที่มีหมายเลขรหัสพัสดุเดียวกัน ตามตารางที่ 2 ดังนี้





การไฟฟ้าส่วนภูมิภาค
PROVINCIAL ELECTRICITY AUTHORITY

PROVINCIAL ELECTRICITY AUTHORITY

TECHNICAL SPECIFICATION DIVISION

THREE-PHASE TRANSFORMERS FOR 22 kV AND 33 kV 50 Hz DISTRIBUTION SYSTEMS
WITH ABILITY TO WITHSTAND SHORT CIRCUIT

Specification No. RTRN-035/2561

Approved date: 04 NOV 2020

Rev. No.: 0

Form No.

Page 2 of 2

ตารางที่ 2

จำนวนหม้อแปลงทั้งหมด ในสัญญา ⁽²⁾ (เครื่อง)	หัวข้อการทดสอบเพื่อการตรวจรับที่ต้องทดสอบ		
	Temperature-rise test	Full wave lightning impulse test	Short-circuit withstand test
0 ถึง 9	ไม่ทดสอบ	ไม่ทดสอบ	ไม่ทดสอบ
10 ถึง 29	ทดสอบ	ไม่ทดสอบ	ไม่ทดสอบ
30 ถึง 189	ทดสอบ	ทดสอบ	ไม่ทดสอบ
190 ขึ้นไป	ทดสอบ	ทดสอบ	ทดสอบ

⁽²⁾ จำนวนหม้อแปลงทั้งหมดในสัญญา แยกตามหมายเลขรหัสพัสดุ

2.2 ให้ทดสอบเพื่อการตรวจรับกับหม้อแปลงที่ส่งในงวดแรกของสัญญา โดยสุ่มตัวอย่างแต่ละรายการ (Item) ที่มีหมายเลขรหัสพัสดุเดียวกัน และใช้ตัวอย่างเดียวกันกับตัวอย่างที่ผ่านการทดสอบตามหัวข้อ 1e.5.1(1) ถึง (7) และหัวข้อที่ 1e.5.1(11) มาแล้ว เพื่อลดระยะเวลาการทดสอบ ให้สามารถแยกทดสอบในแต่ละหัวข้อโดยใช้หม้อแปลงตัวอย่างที่แตกต่างกันได้ เช่น หากทดสอบหัวข้อ 1e.5.1(8) (9) และ (10) ให้สามารถใช้ 3 ตัวอย่าง (3 Serial numbers) ได้ โดยเกณฑ์การพิจารณาให้เป็นไปตามตารางที่ 3 ดังนี้

ตารางที่ 3

หัวข้อการทดสอบตรวจรับ (1e.5.1)	จำนวนตัวอย่าง ที่ส่งทดสอบเพื่อการตรวจรับ (เครื่อง)	จำนวนตัวอย่างสูงสุด ที่ยอมรับให้ทดสอบไม่ผ่าน (เครื่อง)
(8) Temperature-rise test	1	0
(9) Full wave lightning impulse test	1	0
(10) Short-circuit withstand test	1	0

ทั้งนี้ หากจำนวนหม้อแปลงที่ไม่ผ่านการทดสอบมากกว่าจำนวนตัวอย่างสูงสุดที่ยอมรับให้ทดสอบไม่ผ่านตามตารางที่ 3 ให้คณะกรรมการตรวจรับพัสดุฯ ดำเนินการตามขั้นตอนการตรวจรับพัสดุในหลักเกณฑ์การตรวจรับพัสดุ กพภ.

หลังจากการทดสอบในแต่ละหัวข้อ คู่สัญญาจะต้องทำให้หม้อแปลงที่นำไปเป็นตัวอย่างทุกตัว สมบูรณ์พร้อมใช้งานเหมือนเดิมก่อนส่งคืนให้กับ PEA โดยไม่คิดค่าใช้จ่าย

หมายเหตุ

กรณีที่ กพภ. เป็นผู้ประมาณการจัดหาหม้อแปลงที่มีพิกัดกำลังไฟฟ้าสูงกว่า 250 kVA ให้ทดสอบเพื่อการตรวจรับตามหัวข้อ 1e.5.1(1) ถึง (6) เท่านั้น





การไฟฟ้าส่วนภูมิภาค
PROVINCIAL ELECTRICITY AUTHORITY

PROVINCIAL ELECTRICITY AUTHORITY

ELECTRICAL AND MECHANICAL DIVISION

THREE-PHASE TRANSFORMERS FOR 22 kV AND 33 kV 50 Hz DISTRIBUTION SYSTEMS WITH ABILITY TO WITHSTAND SHORT CIRCUIT

Specification No. RTRN-035/2561

Approved date: **04 NOV 2021**

Rev. No.: 0

Form No.

Page 1 of 1

เอกสารเพิ่มเติมแนบรายละเอียดสเปค 3 (ADDENDUM 3)

เอกสารเพิ่มเติมแนบรายละเอียดสเปค (ADDENDUM) นี้ให้ถือเป็นส่วนหนึ่งของสเปคหม้อแปลงไฟฟ้าระบบ
จำหน่ายเลขที่ RTRN-035/2561

รายละเอียดห้องปฏิบัติการทดสอบนี้ ให้ใช้แทนหัวข้อ 1e.3 Acknowledged independent testing
laboratories ในสเปค

1e.3 Acknowledged independent testing laboratories

The type test and short-circuit withstand test shall be conducted or inspected by the
acknowledged testing laboratories/institutes as follows:

- (1) Laboratories/institutes which are members of the Short-circuit Testing Liaison (STL) or
independent laboratories/institutes which are accredited according to TIS 17025 or
ISO/IEC 17025 with the scope of accreditation covered the relevant test items,
standards, and equipment.

The certification and scope of accreditation of the independent laboratories/institutes
shall be submitted with the bid for consideration.

The bidders or manufacturers who are accredited according to TIS 17025 or ISO/IEC
17025 preferring to carry out the type tests and short-circuit withstand test of the
transformers with the laboratories or by the manufacturers themselves, the tests shall
be inspected by Thailand's national laboratories, institutes, universities, and electric
utilities in (2) and other laboratories, institutes, universities, or electric utilities
approved by PEA.

- (2) Thailand's national laboratories, institutes, universities, and electric utilities, as follow:
 - Electricity Generating Authority of Thailand (EGAT)
 - Thonburi Electrical Power Laboratory (TEPL)
- (3) Other laboratories, institutes, universities, or electric utilities approved by PEA. In this
case, the detail of the test facilities of the laboratories shall be submitted to PEA for
approval before proceeding the tests and before the bid closing date. PEA reserves
the right to send representatives to inspect and witness the tests with the cost of the
bidders or manufacturers.





การไฟฟ้าส่วนภูมิภาค
PROVINCIAL ELECTRICITY AUTHORITY

PROVINCIAL ELECTRICITY AUTHORITY

ELECTRICAL AND MECHANICAL ENGINEERING DIVISION

THREE-PHASE TRANSFORMERS FOR 22 kV AND 33 kV 50 Hz DISTRIBUTION SYSTEMS WITH ABILITY TO WITHSTAND SHORT CIRCUIT

Specification No. RTRN-035/2561

Approved date: 11 JAN 2024

Rev. No.: 0

Form No.

Page 1 of 4

เอกสารเพิ่มเติมแนบรายละเอียดสเปค 4

(ADDENDUM 4)

เอกสารเพิ่มเติม (ADDENDUM) นี้ให้ถือเป็นส่วนหนึ่งของรายละเอียดสเปคเลขที่ RTRN-035/2561

การยื่นเอกสารตามหัวข้อ C2 Material and packing data to be given by bidders

ให้ใช้รายละเอียดตามเงื่อนไขทั่วไปประกอบการจัดซื้อพัสดุข้อ 6.1 แทนการยื่นเอกสารทั้งหมดตามหัวข้อ C2 Material and packing data to be given by bidders ได้

อายุของรายงานผลการทดสอบ Type test and Short-circuit withstand test

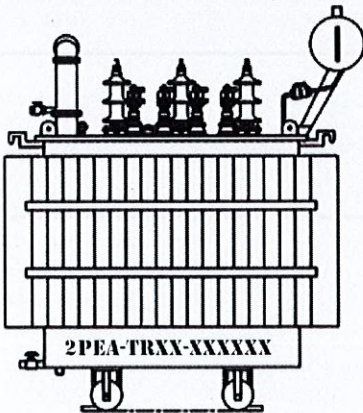
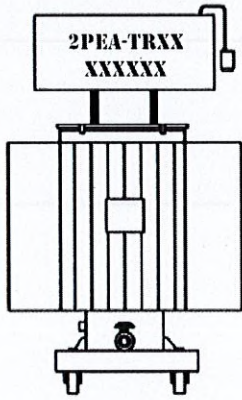
ให้ใช้รายละเอียดอายุของรายงานผลการทดสอบ Type test and Short-circuit withstand test ที่กำหนดในเอกสารเพิ่มเติม (ADDENDUM) นี้ แทนรายละเอียดอายุของรายงานผลการทดสอบ Type test and Short-circuit withstand test ในหัวข้อ 1e.2.3 Type test and short circuit test report

The type test and short-circuit withstand test report of the transformers shall be valid within ten (10) years count from the issued date in the test reports to the bid closing date.

การพิมพ์หมายเลข PEA หม้อแปลง ตามข้อ 1c.13 Marking

ให้คู่สัญญาพิมพ์หมายเลข PEA หม้อแปลง ตามรายละเอียด ดังนี้

- (1) Font ของตัวอักษรและตัวเลข คือ **STENCIL**
- (2) ความสูงของตัวอักษรและตัวเลข ไม่น้อยกว่า 3 นิ้ว
- (3) ตำแหน่งการพิมพ์หมายเลข PEA หม้อแปลง ดังนี้

ชนิดของหม้อแปลง	ตำแหน่งการพิมพ์
<p>(1) หม้อแปลง 3 เฟส ชนิด Conservator Type</p>	<div style="display: flex; justify-content: space-around; align-items: center;">   </div> <p>จุดพิมพ์หมายเลข PEA บริเวณส่วนล่างด้านหน้า และ ถังอะไหล่ของหม้อแปลง</p>



การไฟฟ้าส่วนภูมิภาค
PROVINCIAL ELECTRICITY AUTHORITY

PROVINCIAL ELECTRICITY AUTHORITY

ELECTRICAL AND MECHANICAL ENGINEERING DIVISION

THREE-PHASE TRANSFORMERS FOR 22 kV AND 33 kV 50 Hz DISTRIBUTION SYSTEMS WITH ABILITY TO WITHSTAND SHORT CIRCUIT

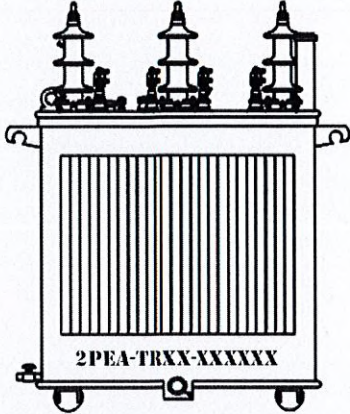
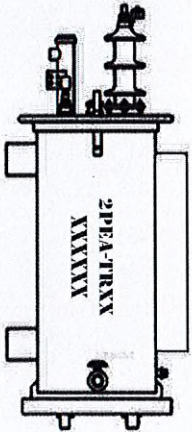
Specification No. RTRN-035/2561

Approved date: 11 JAN 2024

Rev. No.: 0

Form No.

Page 2 of 4

ชนิดของหม้อแปลง	ตำแหน่งการพ่น
<p>(2) หม้อแปลง 3 เฟส ชนิด Seal Type มีเฉพาะครึ่งด้านหน้า</p>	 <p>จุดพ่นหมายเลข PEA บริเวณส่วนล่างด้านหน้าของหม้อแปลง หรือ</p>
	 <p>จุดพ่นหมายเลข PEA บริเวณด้านข้างของหม้อแปลง</p>



การไฟฟ้าส่วนภูมิภาค
PROVINCIAL ELECTRICITY AUTHORITY

PROVINCIAL ELECTRICITY AUTHORITY

ELECTRICAL AND MECHANICAL ENGINEERING DIVISION

THREE-PHASE TRANSFORMERS FOR 22 kV AND 33 kV 50 Hz DISTRIBUTION SYSTEMS WITH ABILITY TO WITHSTAND SHORT CIRCUIT

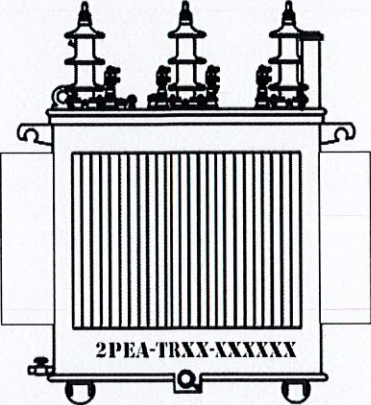
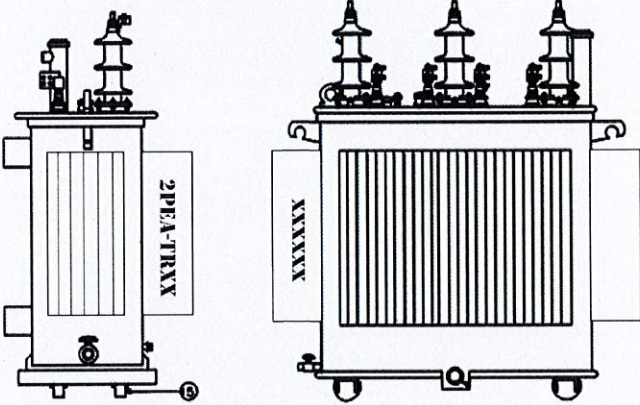
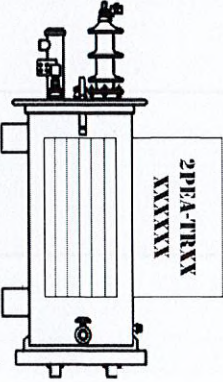
Specification No. RTRN-035/2561

Approved date: 11 JAN 2024

Rev. No.: 0

Form No.

Page 3 of 4

ชนิดของหม้อแปลง	ตำแหน่งการพัน
	 <p>จุดพ่นหมายเลข PEA บริเวณส่วนล่างด้านหน้าของหม้อแปลง หรือ</p>
(3) หม้อแปลง 3 เฟส ชนิด Seal Type มีครีป 3 ด้าน	 <p>จุดพ่นหมายเลข PEA บริเวณด้านข้างของหม้อแปลงแบบที่ 1 หรือ</p>
	 <p>จุดพ่นหมายเลข PEA บริเวณด้านข้างของหม้อแปลงแบบที่ 2</p>



การไฟฟ้าส่วนภูมิภาค
PROVINCIAL ELECTRICITY AUTHORITY

PROVINCIAL ELECTRICITY AUTHORITY

ELECTRICAL AND MECHANICAL ENGINEERING DIVISION

THREE-PHASE TRANSFORMERS FOR 22 kV AND 33 kV 50 Hz DISTRIBUTION SYSTEMS WITH ABILITY TO WITHSTAND SHORT CIRCUIT

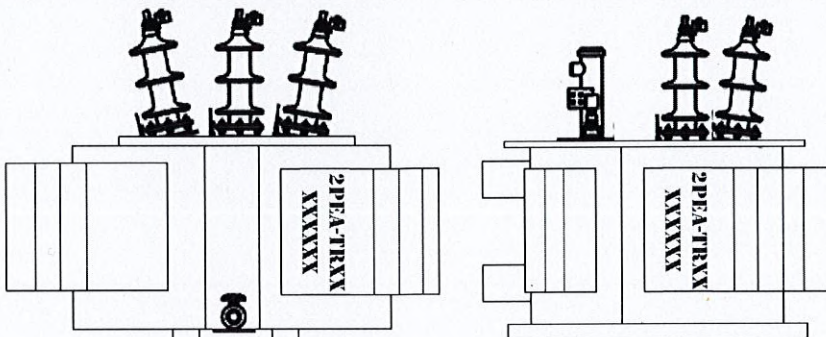
Specification No. RTRN-035/2561

Approved date: 11 JAN 2024

Rev. No.: 0

Form No.

Page 4 of 4

ชนิดของหม้อแปลง	ตำแหน่งการพัน
(4) หม้อแปลง 3 เฟส ชนิด Seal type แบบ 3D	 <p>จุดพันหมายเลข PEA บริเวณครีbsd้านหน้า และ ครีbsd้านข้างของหม้อแปลง</p>

หมายเหตุ

ในกรณีที่ไม่สามารถพันหมายเลข PEA ในจุดที่กำหนดได้ ให้สอบถามกองบริหารจัดการหม้อแปลงระบบจำหน่าย (กมล.) เพื่อกำหนดจุดพันที่เหมาะสม



การไฟฟ้าส่วนภูมิภาค
PROVINCIAL ELECTRICITY AUTHORITY

PROVINCIAL ELECTRICITY AUTHORITY

TECHNICAL SPECIFICATION DIVISION

Specification No. RTRN-035/2561: THREE-PHASE TRANSFORMERS FOR 22 kV and 33 kV 50 Hz DISTRIBUTION SYSTEMS WITH ABILITY TO WITHSTAND SHORT CIRCUIT

Page 1 of 1

C3 Schedule of detailed requirement

ประกวดราคาอิเล็กทรอนิกส์ เลขที่ กจพ1-мп-010-2567

Item	PEA Material No.	Quantity	Description
1	1050010066	232 units	50 kVA, three-phase transformer, permanently sealed and completely oil filled system (without gas cushion) type, withstand short-circuit, 22,000-416/240V, symbol Dyn11.

ประกวดราคาอิเล็กทรอนิกส์ เลขที่ กจพ1-มป-010-2567

Specification No. RTRN-035/2561

C3 Schedule of detailed requirement

Item	PEA Material No.	Quantity	Description
			<p><u>หมายเหตุ</u></p> <ol style="list-style-type: none">1. Enclosed Drawings No. SA4-015/47002 and SA4-015/500082. ผลิตภัณฑ์ที่เสนอต้องผลิตจากโรงงานที่ได้รับการรับรองระบบคุณภาพของกระบวนการผลิตตามมาตรฐาน ISO 90013. ผลิตภัณฑ์ที่เสนอจะต้องเป็นผลิตภัณฑ์ที่ได้รับใบอนุญาตแสดงเครื่องหมายมาตรฐานผลิตภัณฑ์อุตสาหกรรม (มอก.) เท่านั้น4. ผลิตภัณฑ์ที่เสนอต้องเป็นผลิตภัณฑ์ที่ผลิตจากโรงงานที่ได้รับการรับรองความสามารถห้องปฏิบัติการทดสอบ มาตรฐาน มอก. 17025 หรือ ISO/IEC 17025 ครอบคลุมทุกหัวข้อการทดสอบประจำตามที่สเปคการไฟฟ้าส่วนภูมิภาคกำหนด5. การไฟฟ้าส่วนภูมิภาคจะจัดซื้อพัสดุที่ผลิตภายในประเทศ6. กำหนดส่งมอบที่ กองจัดการโลจิสติกส์ ภาคกลาง <p>การไฟฟ้าส่วนภูมิภาค ถ.พหลโยธิน ต.คลองหนึ่ง อ.คลองหลวง จ.ปทุมธานี ทั้งนี้ ให้นำนับถัดจากวันลงนามในสัญญาซื้อขาย และภายในงวดสามารถทยอยการจัดส่งได้ ดังนี้</p> <p>รายการที่ 1 แบ่งการจัดส่งเป็น 2 งวด ดังนี้ งวดที่ 1 จัดส่งจำนวน 200 เครื่อง ภายใน 45 วัน งวดที่ 2 จัดส่งจำนวน 32 เครื่อง ภายใน 75 วัน</p>

ประกวดราคาอิเล็กทรอนิกส์ เลขที่ กจพ1-มป-010-2567

Specification No. RTRN-035/2561

C3 Schedule of detailed requirement

Item	PEA Material No.	Quantity	Description
			<p>7. บริษัทผู้ผลิตที่ได้รับการสั่งซื้อต้องส่งแผนการผลิตหม้อแปลงมาให้ การไฟฟ้าส่วนภูมิภาค (กองจัดหาพัสดุ 1 และ กองบริหารจัดการหม้อแปลงระบบจำหน่าย) ภายใน 7 วัน นับถัดจากวันที่ได้รับหนังสือแจ้งลงนามในสัญญา/ใบสั่งซื้อ เพื่อให้คณะกรรมการตรวจสอบการผลิตและทดสอบ เข้าทำการตรวจสอบตามเงื่อนไขการสั่งซื้อหม้อแปลงไฟฟ้าระบบจำหน่ายที่ผลิตภายในประเทศ</p> <p>8. บริษัทผู้ผลิตที่ได้รับการสั่งซื้อหม้อแปลงไฟฟ้าต้องระบุน้ำหนักสุทธิ (Net Weight) ของหม้อแปลง ลงบนหม้อแปลงของแต่ละเครื่องบน Name Plate</p> <p>9. คู่สัญญาจะต้องเป็นผู้รับผิดชอบค่าใช้จ่ายทั้งหมดในการทดสอบเพื่อการตรวจรับ (Acceptance Test) ตามข้อ 1e.5.1 ทั้งนี้ การทดสอบเพื่อประกอบการตรวจรับหม้อแปลงไฟฟ้าในระบบจำหน่าย ณ โรงงานผู้ผลิต ให้คณะกรรมการตรวจรับสามารถพิจารณาตรวจรับหม้อแปลงไฟฟ้า ณ โรงงานผู้ผลิตเพื่อเป็นทางเลือกนอกเหนือจากการส่งทดสอบที่ กองทดสอบอุปกรณ์ไฟฟ้า โดยให้คณะกรรมการตรวจรับร่วมกับคณะกรรมการตรวจสอบการผลิตและทดสอบ (ถ้ามี) และ กองทดสอบอุปกรณ์ไฟฟ้า สุ่มตัวอย่างและร่วมทำการทดสอบเพื่อการตรวจรับ ณ โรงงานผู้ผลิตโดยวิธีการทดสอบจะต้องเป็นไปตามมาตรฐานและวิธีปฏิบัติของการไฟฟ้าส่วนภูมิภาค โดยให้คู่สัญญา เป็นผู้รับผิดชอบค่าใช้จ่ายในการทดสอบทั้งหมด</p> <p>10. การเรียกเก็บค่าบริการทดสอบ เป็นไปตามเงื่อนไขการเรียกเก็บค่าบริการทดสอบประกอบการจัดหาพัสดุ (เพิ่มเติม) ตามเอกสารแนบท้าย</p> <p>11. กรณีหม้อแปลงไฟฟ้าชำรุดระหว่างการใช้งานและอยู่ภายในระยะรับประกันการไฟฟ้าส่วนภูมิภาค ขอสงวนสิทธิในการผ่าพิสูจน์หม้อแปลงไฟฟ้า เพื่อหาสาเหตุการชำรุด(เงื่อนไขเพิ่มเติม) ตามเอกสารแนบท้าย</p> <p>12. หม้อแปลงไฟฟ้าที่จัดซื้อในครั้งนี้ การไฟฟ้าส่วนภูมิภาคจะนำไปใช้งานทั่วประเทศ (12 การไฟฟ้าเขต) ในกรณีที่หม้อแปลงไฟฟ้าเกิดชำรุดระหว่างการใช้งานและอยู่ในระยะเวลารับประกันคุณภาพ การไฟฟ้าส่วนภูมิภาคจะเป็นผู้รวบรวมนำหม้อแปลงไฟฟ้าชำรุดจากคุณภาพไปจัดเก็บ ณ การไฟฟ้าส่วนภูมิภาค ทั้ง 12 เขตตามพื้นที่ที่ติดตั้งใช้งาน การไฟฟ้าส่วนภูมิภาคจะแจ้งให้ผู้ขายแก้ไข โดยผู้ขายจะต้องเดินทางไปแก้ไขหม้อแปลงไฟฟ้าที่ชำรุดดังกล่าว ณ การไฟฟ้าเขต (กบข.ทุกเขต) ตามข้อกำหนดในสัญญาและผู้ขายจะต้องจัดเตรียมเครื่องมืออุปกรณ์เพื่อใช้ในการตรวจหม้อแปลงไฟฟ้าชำรุด และหากมีค่าบริการทดสอบเพิ่มเติมให้เป็นไปตามเงื่อนไขการเรียกเก็บค่าบริการทดสอบการจัดซื้อพัสดุ ข้อ 10</p>

ประกวดราคาอิเล็กทรอนิกส์ เลขที่ กจพ1-มป-010-2567

Specification No. RTRN-035/2561

C3 Schedule of detailed requirement

Item	PEA Material No.	Quantity	Description
			<p>13. ในขั้นตอนการตรวจรับพัสดุที่จัดซื้อ หากพัสดुरายการใดได้รับการขึ้นทะเบียนตามกระบวนการ PEA Product Acceptance ที่ยังคงสถานะการขึ้นทะเบียน และไม่อยู่ระหว่างถูกพักใช้ใบขึ้นทะเบียนฯ โดยคู่สัญญาต้องทำการทดสอบประจำและทดสอบเพื่อการตรวจรับ (โดยมีหัวข้อการทดสอบตามที่ระบุในสเปค) ที่โรงงานผู้ผลิต/หน่วยทดสอบที่การไฟฟ้าส่วนภูมิภาคยอมรับ และส่งผลทดสอบดังกล่าวให้การไฟฟ้าส่วนภูมิภาค</p>



การไฟฟ้าส่วนภูมิภาค
PROVINCIAL ELECTRICITY AUTHORITY

PROVINCIAL ELECTRICITY AUTHORITY

TECHNICAL SPECIFICATION DIVISION

Specification No. RTRN-035/2561: THREE-PHASE TRANSFORMERS FOR 22 kV and 33 kV 50 Hz DISTRIBUTION SYSTEMS WITH ABILITY TO WITHSTAND SHORT CIRCUIT

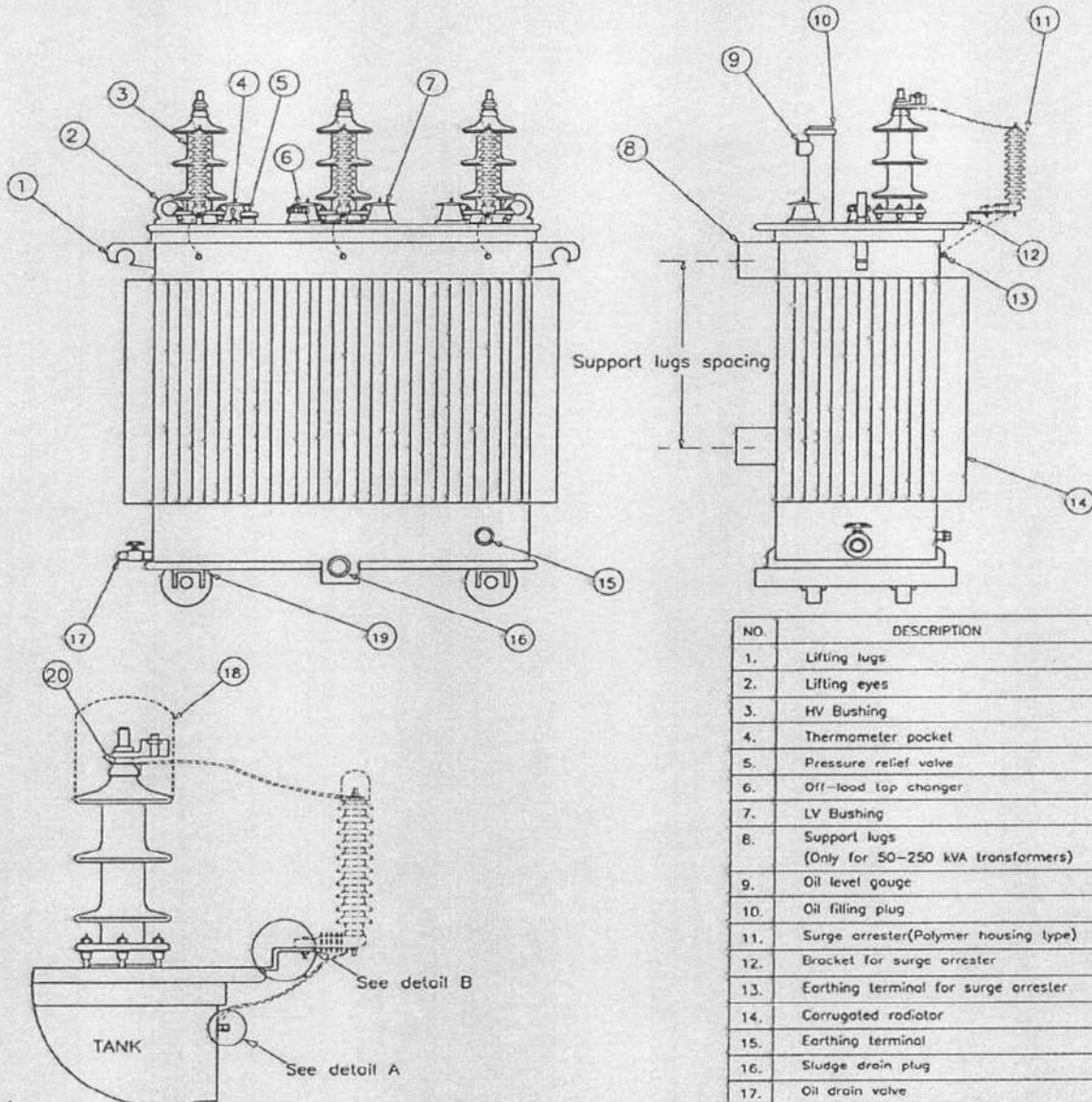
C4
ประกวดราคาอิเล็กทรอนิกส์ เลขที่ กจพ1-มป-010-2567

Manufacturer :
Country of origin :
Trade-mark :

Item	PEA Material No.	Catalogue No.	Description	Quantity		
1	1050010066		50 kVA, three-phase transformer, permanently sealed and completely oil filled system (without gas cushion) type, withstand short-circuit, 22,000-416/240V, symbol Dyn11.	22unit	ยื่นเสนอราคาทาง	ระบบอิเล็กทรอนิกส์

Only for 50-500 kVA transformers

PRELIMINARY



NO.	DESCRIPTION
1.	Lifting lugs
2.	Lifting eyes
3.	HV Bushing
4.	Thermometer pocket
5.	Pressure relief valve
6.	Off-load tap changer
7.	LV Bushing
8.	Support lugs (Only for 50-250 kVA transformers)
9.	Oil level gauge
10.	Oil filling plug
11.	Surge arrester(Polymer housing type)
12.	Bracket for surge arrester
13.	Earthing terminal for surge arrester
14.	Corrugated radiator
15.	Earthing terminal
16.	Sludge drain plug
17.	Oil drain valve
18.	Bird guard cap
19.	Transport rollers (Only for 315-500 kVA transformers)
20.	Cable lug

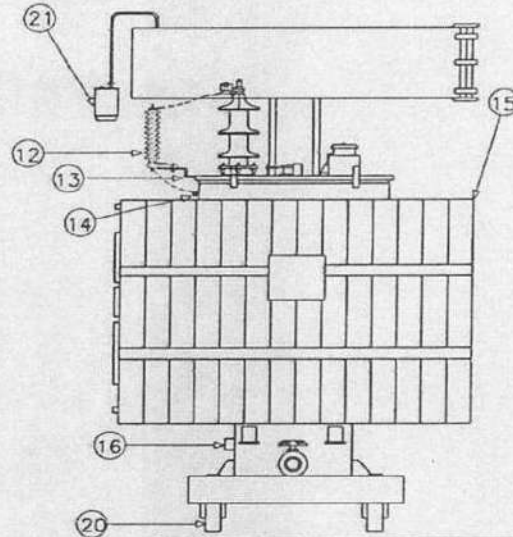
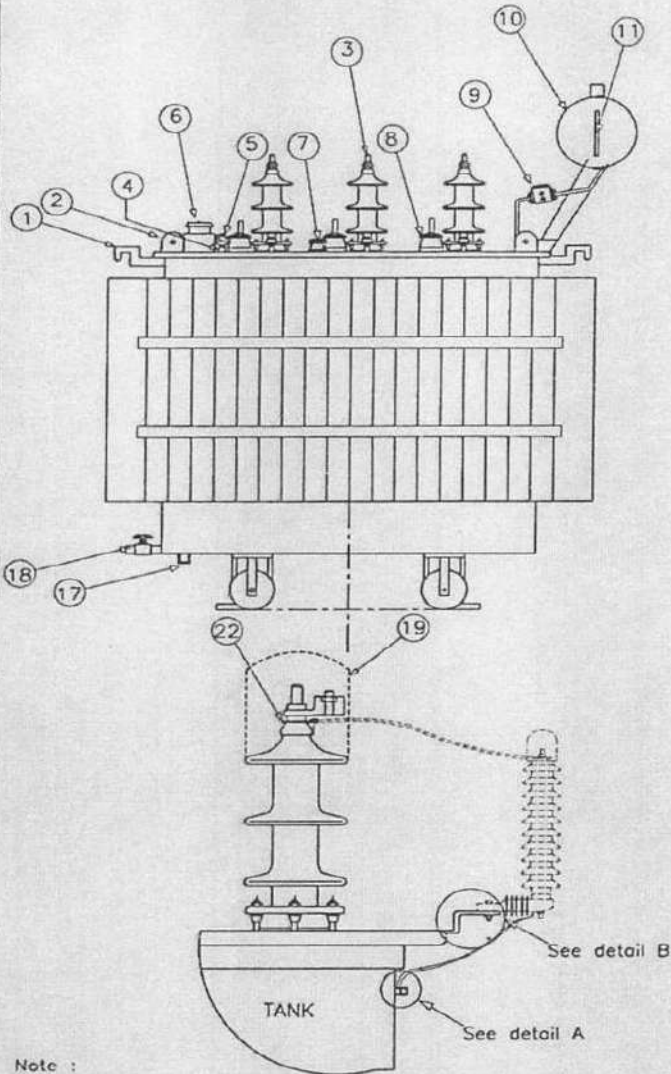
Note :

1. Surge arrester, line lead and ground lead, supplied by PEA
2. Earthing terminal for surge arrester shall be eye-bolt type or socket type.
3. Position of earthing terminal for surge arrester shall be suitable for flexible copper insulated ground lead size 16 sq.mm, 430 mm long.
4. Not to scale

กองมาตรฐานระบบไฟฟ้า ฝ่ายมาตรฐานและความปลอดภัย	การไฟฟ้าส่วนภูมิภาค	ใช้แทนแบบ..... ถูกแทนโดยแบบ..... เขียนเสร็จวันที่ 8. มี.ค. 2552 แก้แบบวันที่ 26พ.ค. 2554 มิติเป็น..... มาตรฐาน.....
ผู้เขียน... บัณฑิต เพ็ญดา..... ผู้สำรวจ..... วิศวกร..... หัวหน้าแผนก..... ผู้อำนวยการกอง..... ผู้อำนวยการฝ่าย.....	ส่วนประกอบหม้อแปลงไฟฟ้า 3 เฟส DETAIL OF 3 PHASE TRANSFORMER	แบบเลขที่ SA4-015/50038 แผ่นที่ 1. ของจำนวน 4. แผ่น

Only for 630-2,000 kVA transformers

PRELIMINARY



NO.	DESCRIPTION
1.	Lifting lugs
2.	Lifting eyes
3.	HV Bushing
4.	Thermometer pocket
5.	Dial type thermometer (Only for 1,000-2,000 kVA transformers)
6.	Pressure relief valve
7.	Off-load tap changer
8.	LV Bushing
9.	Buchholz relay (Only for 1,000-2,000 kVA transformers)
10.	Conservator
11.	Oil level gauge
12.	Surge arrester(Polymer housing type)
13.	Bracket for surge arrester
14.	Earthing terminal for surge arrester
15.	Radiator
16.	Earthing terminal
17.	Sludge drain plug
18.	Oil drain valve
19.	Bird guard cap
20.	Transport rollers
21.	Dehydrating breather
22.	Cable lug

Note :

- Surge arrester, line lead and ground lead supplied by PEA
- Earthing terminal for surge arrester shall be eye-bolt type or socket type.
- Position of earthing terminal for surge arrester shall be suitable for flexible copper insulated ground lead size 16 sq.mm, 430 mm long.
- Only for 1,000-2,000 kVA transformers shall be furnished and equipped with :
(a) Dial type thermometer with adjustable contact(s)
(b) Double float Buchholz relay having two (2) contacts (for alarm and tripping)
- Not to scale

กองมาตรฐานระบบไฟฟ้า
ฝ่ายมาตรฐานและความปลอดภัย

การไฟฟ้าส่วนภูมิภาค

ใช้แทนแบบ.....

ผู้เขียน... บัณฑิต เพ็ญตา

ส่วนประกอบหม้อแปลงไฟฟ้า 3 เฟส

ถูกแทนโดยแบบ.....

ผู้สำรวจ.....

เขียนเสร็จวันที่ 8 มิ.ย. 2552

วิศวกร.....

แก้แบบวันที่ 26 พ.ค. 2554

หัวหน้าแผนก.....

มิติเป็น มิลลิเมตร

ผู้อำนวยการกอง.....

DETAIL OF 3 PHASE TRANSFORMER

มาตรฐานส่วน.....

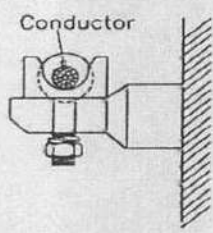
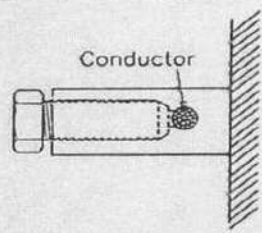
ผู้อำนวยการฝ่าย.....

แบบเลขที่ SA4-015/50008

แผ่นที่ 2 ของจำนวน 4 แผ่น

PRELIMINARY

Detail A :

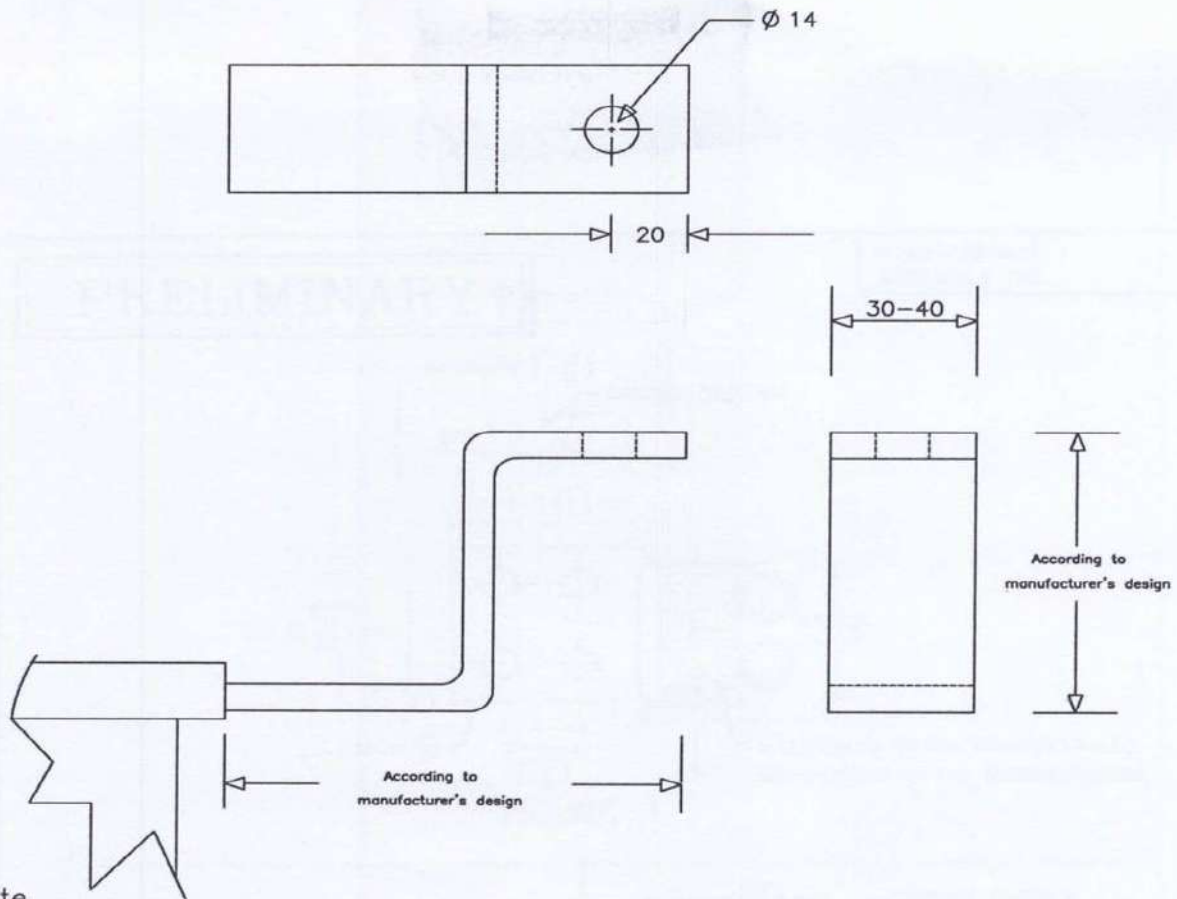
Type of earthing terminal for surge arrester	
 <p>eye-bolt type earthing terminal</p>	 <p>socket type earthing terminal</p>
<p><u>Description</u></p> <p>Eye-bolt type earthing terminal shall be with eye-bolt type connector suitable for flexible copper insulated ground lead size 16 sq.mm ; complete with lock washer of stainless steel or better</p>	<p><u>Description</u></p> <p>Socket type earthing terminal shall be with socket suitable for flexible copper insulated ground lead size 16 sq.mm ; complete with bolt of stainless steel or better for lock conductor</p>

กงมาตรฐานระบบไฟฟ้า ฝ่ายมาตรฐานและความปลอดภัย	<h2>การไฟฟ้าส่วนภูมิภาค</h2>	ใช้แทนแบบ..... ถูกแทนโดยแบบ.....
ผู้เขียน... บัณฑิต เพ็ญตา... ผู้สำรวจ..... วิศวกร.....	<h3>ส่วนประกอบหม้อแปลงไฟฟ้า 3 เฟส</h3>	เขียนเสร็จวันที่ 8 มี.ย. 2552 แก้ไขวันที่ 26 พ.ค. 2554 มีดีเป็น มิลลิเมตร
หัวหน้าแผนก..... ผู้อำนวยการกอง..... ผู้อำนวยการฝ่าย.....	<h3>DETAIL OF 3 PHASE TRANSFORMER</h3>	มาตรฐาน..... แบบเลขที่ SA4-015/50008 แผ่นที่ 3 ของจำนวน 4 แผ่น

PRELIMINARY

Detail B :

Detail of mounting bracket for surge arrester



Note.

1. Material of mounting bracket shall be stainless steel or painted with RAL gray color. And paint system shall be system No. A.3.08, according to table A.3 ISO12944-5 which the total thickness not less than 160 um.
2. Shape and dimension of mounting bracket, unless specified shall be according to manufacturer's design.
3. The mounting bracket shall be designed to support up to 8 kg surge arrester.

กองข้อกำหนดทางเทคนิค ฝ่ายวิศวกรรม	การไฟฟ้าส่วนภูมิภาค	ใช้แทนแบบ..... ถูกแทนโดยแบบ.....
ผู้เขียนมาตรฐาน... ผู้สำรวจ..... วิศวกร... หัวหน้าแผนก...	ส่วนประกอบหม้อแปลง 3 เฟส สำหรับข้างซ่อม	เขียนเสร็จวันที่... แก้มแบบวันที่... มิติเป็น...
ผู้อำนวยการกอง... ผู้อำนวยการฝ่าย...	DETAIL OF REPAIRED 3 PHASE TRANSFORMER	มาตรฐานส่วน..... แบบเลขที่... แผ่นที่...

PRELIMINARY

การประกอบเลขที่
ASSEMBLY NO.

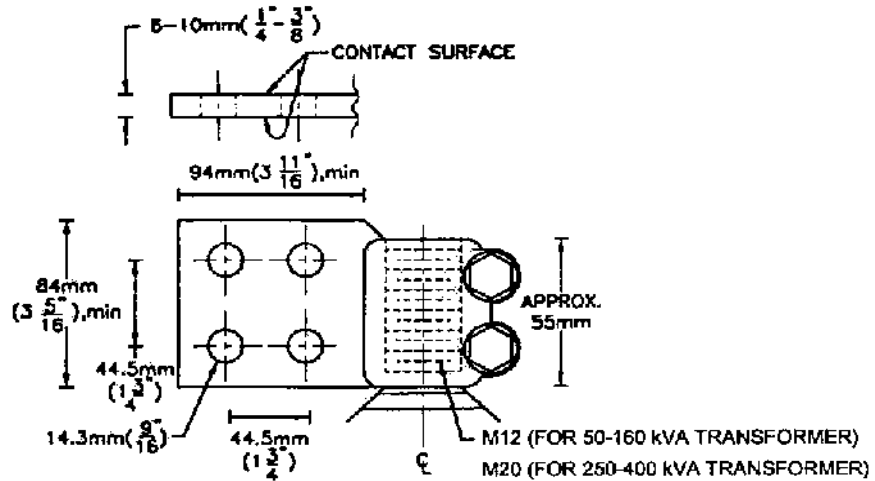


FIGURE 1

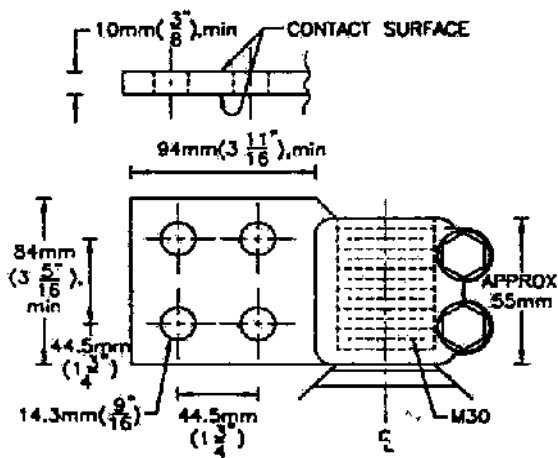


FIGURE 2

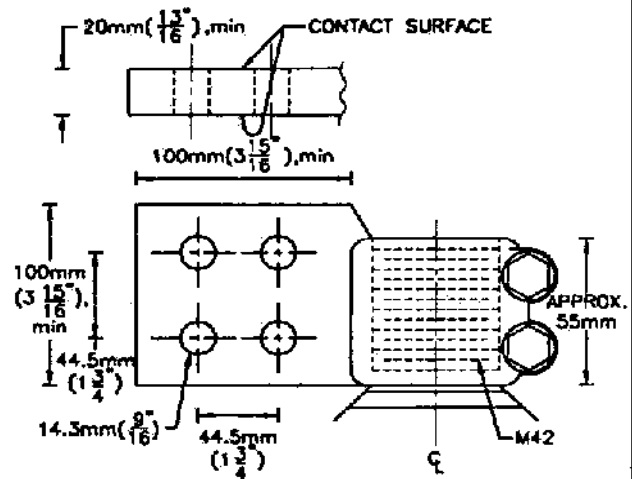


FIGURE 3

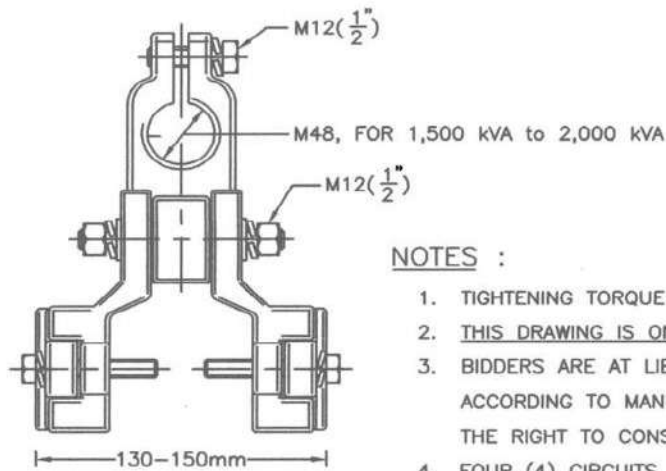
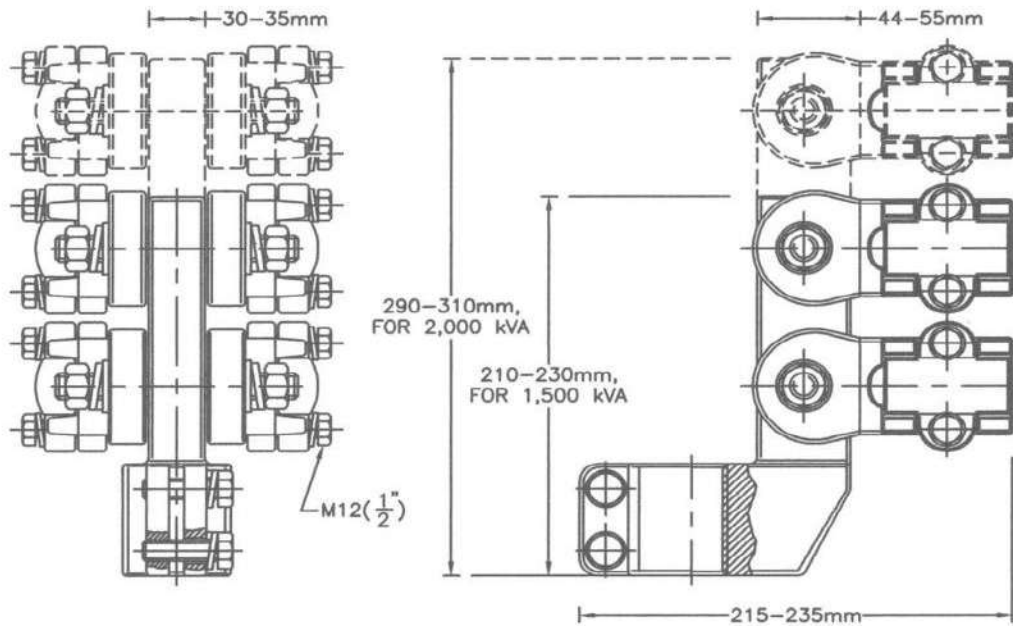
NOTES :

1. FIGURE 1 FOR 50-160 kVA TRANSFORMER
2. FIGURE 1 FOR 250-400 kVA TRANSFORMER
3. FIGURE 2 FOR 500-630 kVA TRANSFORMER
4. FIGURE 3 FOR 800-1,250 kVA TRANSFORMER

กองมาตรฐานระบบไฟฟ้า ฝ่ายมาตรฐานและความปลอดภัย	การไฟฟ้าส่วนภูมิภาค	ใช้แทนแบบ SA2-015/28006 SA2-015/29013 SA4-015/45002 ถูกแทนโดยแบบ
ผู้เขียน <i>Supplied. Information</i> ผู้สำรวจ..... วิศวกร..... หัวหน้าแผนก..... ผู้อำนวยการกอง..... ผู้อำนวยการฝ่าย.....	ผู้ว่าการ..... รายละเอียดของข้อต่อสายแรงต่ำสำหรับ หม้อแปลงไฟฟ้า สามเฟส 50-1,250 kVA	เขียนเสร็จวันที่ 19 พ.ย. 2547 แก้แบบวันที่ มีดเป็น..... มีดลิเมตร..... มาตรฐาน.....
วิศวกรร่างแบบ และทดสอบระบบไฟฟ้า	DETAIL OF L.V. TERMINAL PADS FOR 50-1,250 kVA THREE-PHASE TRANSFORMER	แบบเลขที่ SA4-015/47002 แผ่นที่ 1 ของจำนวน 2 แผ่น

PRELIMINARY

การประกอบเลขที่
ASSEMBLY NO.



NOTES :

1. TIGHTENING TORQUE LEVEL OF BOLTS M12($\frac{1}{2}$) : 5.5 kgf-m
2. THIS DRAWING IS ONLY GUIDING (NOT COMPELLING).
3. BIDDERS ARE AT LIBERTY TO QUOTE THE CONNECTOR ACCORDING TO MANUFACTURER'S DESIGN, BUT PEA RESERVES THE RIGHT TO CONSIDER.
4. FOUR (4) CIRCUITS FOR 1,500 kVA TRANSFORMER
5. SIX (6) CIRCUITS FOR 2,000 kVA TRANSFORMER

not to scale

<p>กองข้อกำหนดทางเทคนิค ฝ่ายวิศวกรรม</p>	<p>การไฟฟ้าส่วนภูมิภาค</p>	<p>SA4-015/28006 SA4-015/29013 ใช้แทนแบบ.....SA4-015/45002....</p>
<p>ผู้เขียน..... นาดิสชา ผู้สำรวจ..... วิศวกร..... ส.ศ. น. หัวหน้าแผนก..... <i>Bundit</i> ผู้อำนวยการกอง..... <i>ป.อ.พ. (ก.ค.)</i> ผู้อำนวยการฝ่าย..... <i>ก.ร.</i></p>	<p>รายละเอียดของขั้วต่อสายแรงต่ำสำหรับ หม้อแปลงไฟฟ้า สามเฟส 1,500-2,000 kVA DETAIL OF L.V. TERMINAL PADS FOR 1,500-2,000 kVA THREE-PHASE TRANSFORMER</p>	<p>ถูกแทนโดยแบบ..... เขียนเสร็จวันที่...19.พ.ย. 47... แก้แบบวันที่...12.พ.ย. 62.... มติดเป็น... มิลลิเมตร..... มาตราส่วน..... แบบเลขที่ SA4-015/47002... แผ่นที่ 2 ของจำนวน 2 แผ่น</p>

647

เงื่อนไขทั่วไปประกอบการจัดซื้อพัสดุ

ผู้ยื่นข้อเสนอ จะต้องปฏิบัติตามเงื่อนไขประกอบการจัดซื้อพัสดุดังนี้

ข้อ ๑ “ผู้ยื่นข้อเสนอจะต้องยื่นเอกสารทางเทคนิค เช่น แค็ตตาล็อก แบบรูป (Drawings) รายงานผลการทดสอบเฉพาะแบบ (Type test reports) หรือเอกสารอื่นๆ ตามที่ได้ระบุไว้ในรายละเอียดสเปค (Specification) ให้ครบถ้วนพร้อมกับการยื่นข้อเสนอ โดยเอกสารทางเทคนิคดังกล่าวจะต้องเป็นภาพสีเหมือนกับเอกสารต้นฉบับ และต้องเป็นภาษาไทยหรือภาษาอังกฤษเท่านั้น สำหรับเอกสารทางเทคนิคที่ผู้ยื่นข้อเสนอจะต้องกรอก รายละเอียดในแบบฟอร์มของ การไฟฟ้าส่วนภูมิภาค ให้ใช้วิธีการพิมพ์เท่านั้น การไฟฟ้าส่วนภูมิภาคขอสงวน สิทธิที่จะไม่รับพิจารณาผู้ยื่นข้อเสนอที่ยื่นเอกสารทางเทคนิคไม่ครบถ้วน หรือไม่ปฏิบัติตามที่ระบุข้างต้น

ข้อ ๒ การไฟฟ้าส่วนภูมิภาค จะพิจารณาเฉพาะเอกสารทางเทคนิค เช่น แค็ตตาล็อก แบบรูป (Drawings) รายงานผลการทดสอบเฉพาะแบบ (Type test reports) หรือเอกสารอื่นๆ ที่ระบุผลิตภัณฑ์ เป็นแบบ (Type) หรือเป็นรุ่น (Model) ที่ตรงกับที่ผู้ยื่นข้อเสนอระบุไว้ในรายการที่เสนอราคาเท่านั้น เว้นแต่ รายละเอียดสเปค (Specification) ระบุความต้องการเอกสารทางเทคนิคไว้เป็นอย่างอื่น

ข้อ ๓ สำหรับพัสดุอุปกรณ์ที่ การไฟฟ้าส่วนภูมิภาค กำหนดให้ใช้เกณฑ์ราคาประกอบเกณฑ์อื่น (Price-performance) ในการพิจารณาจัดซื้อ ผู้ยื่นข้อเสนอที่ยื่นผลิตภัณฑ์ที่มีคุณสมบัติเป็นไปตามเกณฑ์อื่นในแต่ละ รายการ และมีความประสงค์ที่จะให้ การไฟฟ้าส่วนภูมิภาค คิดคะแนนในส่วนของเกณฑ์อื่นดังกล่าวเพื่อ ประกอบการพิจารณาจัดซื้อนั้น ผู้ยื่นข้อเสนอจะต้องยื่นเอกสารแสดงคุณสมบัติในแต่ละเกณฑ์ให้ถูกต้อง และ ครบถ้วนมาพร้อมกับการยื่นข้อเสนอ หากการไฟฟ้าส่วนภูมิภาคตรวจสอบแล้วพบว่าเอกสารแสดงคุณสมบัติ ดังกล่าวไม่ถูกต้อง หรือไม่ครบถ้วน การไฟฟ้าส่วนภูมิภาค ขอสงวนสิทธิที่จะพิจารณาไม่ให้คะแนนในแต่ละเกณฑ์ นั้นๆ

ทั้งนี้รายการพัสดุอุปกรณ์ที่การไฟฟ้าส่วนภูมิภาคกำหนดให้ใช้เกณฑ์ราคาประกอบเกณฑ์อื่นในการพิจารณาจัดซื้อ รวมถึงสัดส่วนการคิดคะแนนระหว่างเกณฑ์ราคา และเกณฑ์อื่นจะถูกกำหนดไว้ในเอกสารที่เกี่ยวข้อง”

ข้อ ๔ กรณีการจัดซื้ออุปกรณ์ไฟฟ้าหลักสำหรับติดตั้งใช้งานในระบบสายส่ง 115 kV และระบบจำหน่าย 22 kV และ 33 kV อันได้แก่ หม้อแปลงไฟฟ้า รีโคสเซอร์ เซอร์กิตเบรกเกอร์ อุปกรณ์ป้องกัน สวิตช์ อุปกรณ์ตัดตอน ลูกถ้วยไฟฟ้า สายไฟฟ้า หม้อแปลงกระแส (Current transformers) หม้อแปลงแรงดัน (Voltage transformers) รวมถึง มิเตอร์สำหรับวัดพลังงานไฟฟ้า การไฟฟ้าส่วนภูมิภาคขอสงวนสิทธิที่จะส่งเจ้าหน้าที่ของการไฟฟ้าส่วนภูมิภาค หรือผู้แทนที่ได้รับการแต่งตั้งจากการไฟฟ้าส่วนภูมิภาคเข้าไปตรวจสอบ กระบวนการผลิตและการควบคุมคุณภาพ ณ โรงงานผู้ผลิตก่อนการส่งมอบ โดยการไฟฟ้าส่วนภูมิภาคจะเป็นผู้ออกค่าใช้จ่ายในการเดินทาง และเบี้ยเลี้ยงของเจ้าหน้าที่ฯ หรือค่าจ้างผู้แทนฯ เท่านั้น

ข้อ ๕ การจัดซื้อหม้อแปลงไฟฟ้าสำหรับระบบจำหน่าย ผู้ที่ได้รับการสั่งซื้อต้องยินยอมให้ การไฟฟ้าส่วนภูมิภาค หรือผู้แทนที่ได้รับการแต่งตั้งจากการไฟฟ้าส่วนภูมิภาคเข้าไปตรวจสอบกระบวนการผลิต การควบคุมคุณภาพ และการทดสอบ ณ โรงงานผู้ผลิตก่อนการส่งมอบ โดยมีรายละเอียดและขั้นตอนที่ผู้ได้รับการสั่งซื้อต้องปฏิบัติตามเอกสารแนบจำนวน ๒ แผ่น โดยการไฟฟ้าส่วนภูมิภาคจะเป็นผู้ออกค่าใช้จ่ายในการเดินทาง และเบี้ยเลี้ยงของเจ้าหน้าที่ฯ หรือค่าจ้างผู้แทนฯ เท่านั้น

ข้อ ๖ กรณีพัสดุที่จะจัดซื้อเป็นรายการที่ ได้รับการรับรองตามกระบวนการ PEA Product Acceptance การไฟฟ้าส่วนภูมิภาคจะดำเนินการดังนี้

๖.๑ ในการพิจารณาทางเทคนิค หากผู้ยื่นข้อเสนอ เสนอผลิตภัณฑ์ที่ได้รับการรับรองตาม กระบวนการ PEA Product Acceptance ที่ยังไม่หมดอายุการรับรอง ให้แนบใบรับรองฯ ของการไฟฟ้าส่วน ภูมิภาค พร้อมเอกสารประกอบการเสนอราคา โดยไม่ต้องยื่นเอกสารทางเทคนิคอื่นๆ และคณะกรรมการ พิจารณาผลฯ ไม่ต้องพิจารณาเอกสารทางเทคนิค โดยให้ยึดตามใบรับรองฯ เท่านั้น

๖.๒ ในขั้นตอนการตรวจรับพัสดุที่จัดซื้อ หากพัสดुरายการใดเป็นพัสดุที่ไม่ได้รับการรับรอง ตามกระบวนการ PEA Product Acceptance ให้คณะกรรมการตรวจรับฯ ดำเนินการตรวจรับพัสดุดังกล่าว ตามขั้นตอน และวิธีการตรวจรับพัสดุของ การไฟฟ้าส่วนภูมิภาคที่บังคับใช้อยู่ ณ ปัจจุบัน

ทั้งนี้ หากพัสดुरายการใดได้รับการรับรองตามกระบวนการ PEA Product Acceptance ที่ยังไม่หมดอายุ การรับรองให้คณะกรรมการตรวจรับฯ ใช้เอกสารผลการทดสอบคุณภาพผลิตภัณฑ์จากผู้ผลิต และ Product DNA (เอกสารที่ช่วยในการตรวจสอบและคัดกรองผลิตภัณฑ์ในเบื้องต้น ซึ่งประกอบด้วยข้อมูล Type test และ รูปภาพส่วนประกอบต่างๆ ของผลิตภัณฑ์) เพื่อประกอบการตรวจรับพัสดุดังกล่าว โดยไม่ต้องสุ่มทดสอบอีก

๖.๓ ผู้ชนะการเสนอราคา หรือ คู่สัญญา จะต้องยื่นเอกสารแผนการผลิตและการควบคุม คุณภาพการผลิตให้ การไฟฟ้าส่วนภูมิภาค ซึ่งการไฟฟ้าส่วนภูมิภาคขอสงวนสิทธิ์ในการเข้าตรวจสอบในขั้นตอน การผลิต (In Process) หรือให้ผู้แทน รวมถึงหน่วยตรวจประเมินที่การไฟฟ้าส่วนภูมิภาค ให้การรับรองเข้า ดำเนินการดังกล่าว โดยค่าใช้จ่ายที่เกิดขึ้นเป็นของการไฟฟ้าส่วนภูมิภาค หากต้องการตรวจสอบซ้ำเนื่องจาก การตรวจสอบครั้งแรกไม่เป็นไปตามเงื่อนไข หรือหลักเกณฑ์ที่ การไฟฟ้าส่วนภูมิภาคกำหนด ผู้ชนะการเสนอ ราคา หรือ คู่สัญญาต้องเป็นผู้รับผิดชอบค่าใช้จ่ายที่เกิดขึ้นทั้งหมด

ข้อ ๗ กรณีผู้ยื่นข้อเสนอ เสนอผลิตภัณฑ์ที่เป็นเซอร์กิตเบรกเกอร์ สวิตช์ และอุปกรณ์ตัดตอนในระบบ จำหน่าย ผู้ยื่นข้อเสนอจะต้องดำเนินการ ดังนี้

๗.๑ เซอร์กิตเบรกเกอร์ ที่จะจัดซื้อตั้งแต่ระบบ 22 kV ขึ้นไป จะต้องมีความสมบัติเป็นไปตาม รายละเอียดสเปค (Specifications) ของการไฟฟ้าส่วนภูมิภาค และต้องมีคุณสมบัติข้อใดข้อหนึ่ง ดังนี้

๗.๑.๑ ผลิตโดยผู้ผลิตที่มีประสบการณ์ในการผลิตอุปกรณ์ประเภทดังกล่าวมาแล้ว ไม่น้อยกว่า ๓ ปี และต้องเคยติดตั้งใช้งานโดยไม่มีปัญหาในสถานีไฟฟ้าของภาครัฐ และหรือเอกชนในประเทศที่ เชื้อถือได้ มาแล้วไม่น้อยกว่า ๑ แห่ง โดยกรณีนี้ ผู้ยื่นข้อเสนอ จะต้องยื่นเอกสารแสดงประวัติการขาย (Reference List) หรือ หนังสือรับรองจากลูกค้า มาพร้อมกับการยื่นข้อเสนอ หรือ

๗.๑.๒ เป็นผลิตภัณฑ์ที่ผ่านการขึ้นทะเบียนกับการไฟฟ้าส่วนภูมิภาคแล้ว ได้แก่ การ ขึ้นทะเบียน PEA Product Acceptance หรือ PEA Product list หรือการขึ้นทะเบียนอื่นๆ ที่ การไฟฟ้าส่วน ภูมิภาคกำหนด โดยกรณีนี้ ผู้ยื่นข้อเสนอ จะต้องยื่นหนังสือรับรองการขึ้นทะเบียนที่ ยังไม่หมดอายุ มาพร้อมกับการ ยื่นข้อเสนอ หรือ

๗.๑.๓ เป็นผลิตภัณฑ์ที่ผ่านการทดลองติดตั้งใช้งานในระบบของการไฟฟ้าส่วน ภูมิภาคสำนักงานใหญ่แล้ว โดยกรณีนี้ ผู้ยื่นข้อเสนอจะต้องยื่นเอกสารรับรองการผ่านการทดลองติดตั้งใช้งาน จากการไฟฟ้าส่วนภูมิภาค มาพร้อมกับการยื่นข้อเสนอ

๗.๒ สวิตช์ และอุปกรณ์ตัดตอนในระบบจำหน่ายที่จะจัดซื้อ ตั้งแต่ระบบ 22 kV ขึ้นไป อันได้แก่ Dropout fuse cutout, Disconnecting switches, Air break switches, Remote controlled switches (SF₆, gas load break switches). Automatic switching equipment for switching power capacitor bank และ Recloser จะต้องมีความสมบัติเป็นไปตามรายละเอียดสเปค (Specifications) ของการไฟฟ้าส่วนภูมิภาค และต้องมีคุณสมบัติข้อใดข้อหนึ่ง ดังนี้

๗.๒.๑ ผลิตโดยผู้ผลิตที่มีประสบการณ์ในการผลิตอุปกรณ์ประเภทดังกล่าวมาแล้ว ไม่น้อยกว่า ๓ ปี และต้องเคยติดตั้งใช้งานในระบบจำหน่ายมาแล้วไม่น้อยกว่า ๔๐๐ ชุด โดยกรณีนี้ ผู้ยื่นข้อเสนอ จะต้องยื่นเอกสารแสดงประวัติการขาย (Reference List) หรือ หนังสือรับรองจากลูกค้า มาพร้อมกับการยื่นข้อเสนอ หรือ

๗.๒.๒ เป็นผลิตภัณฑ์ที่ผ่านการขึ้นทะเบียนกับการไฟฟ้าส่วนภูมิภาคแล้ว ได้แก่ การขึ้นทะเบียน PEA Product Acceptance หรือ PEA Product List หรือการขึ้นทะเบียนอื่นๆ ที่การไฟฟ้าส่วนภูมิภาคกำหนด โดยกรณีนี้ ผู้ยื่นข้อเสนอ จะต้องยื่นหนังสือรับรองการขึ้นทะเบียนที่ยังไม่หมดอายุ มาพร้อมกับการยื่นข้อเสนอ หรือ

๗.๒.๓ เป็นผลิตภัณฑ์ที่ผ่านการทดลองติดตั้งใช้งานในระบบของการไฟฟ้าส่วนภูมิภาคสำนักงานใหญ่แล้ว โดยกรณีนี้ ผู้ยื่นข้อเสนอจะต้องยื่นเอกสารรับรองการผ่านการทดลองติดตั้งใช้งานจากการไฟฟ้าส่วนภูมิภาคมาพร้อมกับการยื่นข้อเสนอ

๗.๓ ผู้ยื่นข้อเสนอสามารถเสนอขายเซอร์กิตเบรกเกอร์ สวิตช์หรืออุปกรณ์ตัดตอนในระบบจำหน่าย จากผู้ผลิตที่ไม่มีคุณสมบัติตามที่ระบุไว้ในข้อ ๗.๑ หรือ ๗.๒ ดังกล่าวได้ แต่ต้องเป็นผู้ที่ผลิตภายใต้ใบอนุญาต (License) และจะต้องประทับตราเครื่องหมายการค้า (Brand-Name or Trade-mark) เดิมของผู้ให้ใบอนุญาตบนพัสดุ โดยผู้ให้ใบอนุญาต (Licensor) จะต้องมีคุณสมบัติตามข้อ ๗.๑.๑ หรือ ๗.๒.๑ แล้วแต่กรณี

โดยกรณีนี้ผู้ผลิตภายใต้ใบอนุญาตจะต้องทำการทดสอบเฉพาะแบบ (Design or Type tests) เซอร์กิตเบรกเกอร์ สวิตช์ หรืออุปกรณ์ตัดตอนในระบบจำหน่ายตามมาตรฐานที่กำหนดไว้ในรายละเอียดสเปค (Specification) ใหม่ทั้งหมด

ทั้งนี้ ผู้ยื่นข้อเสนอต้องยื่นใบอนุญาต (License) ที่ยังไม่หมดอายุ มาพร้อมกับการยื่นเอกสารแสดงประวัติการขาย (Reference List) หรือ หนังสือรับรองจากลูกค้า ของผู้ให้ใบอนุญาต (Licensor) มาพร้อมกับการยื่นข้อเสนอ

๗.๔ หากผู้ยื่นข้อเสนอ เสนอรายละเอียดไม่เป็นไปตามข้อ ๗.๑,๗.๒ และ ๗.๓ ข้างต้น การไฟฟ้าส่วนภูมิภาคสงวนสิทธิที่จะไม่จัดซื้อ

ข้อ ๘ กรณีที่อุปกรณ์ไฟฟ้าหลักสำหรับติดตั้งใช้งานในระบบสายส่ง 115 kV และระบบจำหน่าย 22 kV และ 33 kV อันได้แก่ หม้อแปลงไฟฟ้า รีโคลสเซอร์ เซอร์กิตเบรกเกอร์ อุปกรณ์ป้องกัน สวิตช์ อุปกรณ์ตัดตอน ลูกถ้วยไฟฟ้า สายไฟฟ้า หม้อแปลงกระแส (Current transformers) หม้อแปลงแรงดัน (Voltage transformers) รวมถึงมิเตอร์งานหมุนชนิด ๑ เฟส และ ๓ เฟสสำหรับวัดพลังงานไฟฟ้า ผลิตภัณฑ์ใดก็ตามที่การไฟฟ้าส่วนภูมิภาค จัดซื้อในแต่ละสัญญา และติดตั้งใช้งานภายในระยะเวลา ๒ ปี นับจากวันที่ การไฟฟ้าส่วนภูมิภาค มีหนังสือแจ้งผลการตรวจรับงวดสุดท้าย หรือภายในระยะเวลาอื่นตามที่รายละเอียดสเปค (Specification) กำหนด มีสถิติการชำรุดอันเนื่องมาจากคุณภาพของผลิตภัณฑ์ เกินกว่าเกณฑ์ที่กำหนดไว้ในรายละเอียดสเปค (Specification) หรือกำหนดไว้ในเงื่อนไขอื่นๆ ในขอบเขตของงาน (TOR) หรือกำหนดไว้ในสัญญาจัดซื้อ การไฟฟ้าส่วนภูมิภาคจะตัดสิทธิการเสนอราคาผลิตภัณฑ์ดังกล่าว และจะไม่จัดซื้อเป็นการชั่วคราว ทั้งในระหว่างการพิจารณาจัดซื้อ และที่จะประกาศจัดซื้อใหม่จนกว่าผู้ผลิตหรือ ผู้แทนจำหน่ายผลิตภัณฑ์นั้นๆ จะส่งแผนการปรับปรุงคุณภาพผลิตภัณฑ์ และดำเนินการแก้ไขให้เป็นที่ยอมรับจาก การไฟฟ้าส่วนภูมิภาคแล้ว

และต้องพินกำหนดระยะเวลา ๖ เดือน นับจากวันที่ การไฟฟ้าส่วนภูมิภาค มีหนังสือแจ้งตัดสิทธิการเสนอราคา ผลิตภัณฑ์ดังกล่าวด้วย

ทั้งนี้ เงื่อนไขดังกล่าวจะไม่มีผลใช้บังคับย้อนหลังไปถึงการจัดซื้อที่ยังไม่มีเงื่อนไขกำหนดไว้

ข้อ ๙ ผู้ชนะการเสนอราคาจะต้องแจ้งกำหนดวันส่งมอบพัสดุเป็นลายลักษณ์อักษรให้หน่วยงานจัดซื้อ และ/หรือ หน่วยงานที่จัดจัดส่งของการไฟฟ้าส่วนภูมิภาคทราบล่วงหน้าไม่น้อยกว่า ๓ วันทำการ เพื่อที่จะได้ กำหนดนัดวันตรวจรับต่อไปและจะต้องส่งมอบพัสดุระหว่างเวลา ๐๘.๓๐ น. ถึง ๑๒.๐๐ น. ของวันที่ทำการ ส่งมอบด้วย

ข้อ ๑๐ การตรวจสอบสภาพด้านทานของสายอลูมิเนียมหุ้มฉนวน การไฟฟ้าส่วนภูมิภาค ได้กำหนดแนวปฏิบัติ สำหรับการทดสอบสภาพด้านทานของสายอลูมิเนียมตีเกลียวหุ้มฉนวน ตาม มอก. ๒๙๓ ฉบับล่าสุด ดังนี้

๑๐.๑ การชักตัวอย่าง

คณะกรรมการตรวจรับการไฟฟ้าส่วนภูมิภาคจะสุ่มตัวอย่างสายไฟฟ้าที่ผลิตเสร็จเรียบร้อยแล้ว (ตีเกลียวและหุ้มฉนวนแล้ว) และนำตัวอย่างมาทดสอบคุณสมบัติต่างๆ รวมทั้งการทดสอบสภาพด้านทานของ สายไฟฟ้าด้วย ตามที่การไฟฟ้าส่วนภูมิภาคกำหนด

๑๐.๒ วิธีการทดสอบสภาพด้านทาน วิธีการทดสอบสภาพด้านทานเป็นไปตาม มอก. ๘๕ ฉบับล่าสุด โดยนำเฉพาะลวดตัวนำเส้นกลางมาหาค่าสภาพด้านทาน โดยวัดความต้านทานที่ อุณหภูมิห้อง แล้วปรับ เป็นค่าที่อุณหภูมิ ๒๐ องศาเซลเซียส โดยวิธีการตาม มอก.กำหนด เพื่อนำไปคำนวณค่าสภาพด้านทานต่อไป

๑๐.๓ เกณฑ์ตัดสิน สายลวดอลูมิเนียมตีเกลียวจะถือว่าผ่านการทดสอบนี้ เมื่อมีค่าสภาพ ด้านทานไม่เกิน ค่าตาม มอก.๒๙๓ ฉบับล่าสุดกำหนดไว้

ข้อ ๑๑ พักติที่การไฟฟ้าส่วนภูมิภาคกำหนดให้มีการทดสอบเพื่อการตรวจรับในหัวข้อที่เป็นการ ทดสอบแบบทำลาย จนพัสดุไม่สามารถนำกลับมาใช้งานได้ คู่สัญญาจะต้องนำพัสดุใหม่มาทดแทนเพื่อให้ครบ จำนวนตามที่ระบุไว้ในสัญญาก่อนการไฟฟ้าส่วนภูมิภาครับมอบพัสดุไว้ใช้งาน โดยการไฟฟ้าส่วนภูมิภาคจะมี หนังสือแจ้งให้ส่งของมาทดแทน ภายใน ๕ วันทำการนับจากวันที่ได้รับหนังสือแจ้ง หากคู่สัญญาไม่นำมา ทดแทนภายในเวลาที่กำหนด การไฟฟ้าส่วนภูมิภาคจะคิดค่าปรับกรณีส่งของล่าช้าในอัตราร้อยละ ๐.๒๐ ของ มูลค่าพัสดุที่นำมาทดแทน และผู้ขายต้องรับพัสดุที่ทดสอบแล้วชำระคืนกลับไป ภายใน ๓๐ วัน หลังจากได้นำ พักติมาทดแทนให้การไฟฟ้าส่วนภูมิภาคแล้ว หากผู้ขายไม่ประสงค์จะรับพัสดุนั้นให้ทำหนังสือแจ้งการไฟฟ้าส่วน ภูมิภาคทราบเพื่อที่จะดำเนินการต่อไป

ข้อ ๑๒ การชำระราคาพัสดุที่ตกลงซื้อขายกันการไฟฟ้าส่วนภูมิภาคจะชำระภายในเวลา ๓๐ วัน นับถัดจากวันที่การไฟฟ้าส่วนภูมิภาคได้ทำการตรวจรับพัสดุที่คู่สัญญาส่งมอบถูกต้องเรียบร้อยแล้วในแต่ละงวด และห้ามคู่สัญญาโอนสิทธิเรียกร้องการรับเงินให้กับบุคคลภายนอก

ข้อ ๑๓ ผู้ชนะการเสนอราคาจะต้องรับประกันความชำรุดบกพร่องอันเนื่องมาจากการใช้งานตามปกติ ของพัสดุเป็นเวลาไม่น้อยกว่า ๑ ปี นับถัดจากวันที่การไฟฟ้าส่วนภูมิภาคได้รับมอบแล้ว เว้นแต่

๑๓.๑ ปูนซีเมนต์ปอร์ตแลนด์ประเภทเกิดแรงสูงเร็ว ต้องรับประกันคุณภาพเป็นเวลา ไม่น้อยกว่า ๓๐ วัน นับถัดจากวันที่การไฟฟ้าส่วนภูมิภาคได้รับมอบแล้ว

๑๓.๒ พักติประเภทดังต่อไปนี้ต้องรับประกันคุณภาพเป็นเวลาไม่น้อยกว่า ๓ ปี เว้น แต่รายละเอียดสเปค (Specification) กำหนดระยะเวลารับประกันคุณภาพไว้มากกว่า ๓ ปี นับถัดวันที่การ ไฟฟ้าส่วนภูมิภาคได้รับมอบแล้ว ให้ถือระยะเวลารับประกันคุณภาพที่กำหนดไว้ในรายละเอียดสเปค

-On-load tap-changing power transformers for 115 kV subtransmission substation

- Three-phase automatic voltage regulators (AVR) for 22 kV and 33 kV 50 Hz distribution System
- Single-phase and Three-phase transformers for 22 kV and 33 kV 50 Hz distribution system with and without ability to withstand short circuit
- Remote controlled switches for 22 kV and 33 kV 50 Hz distribution system
- Solid dielectric three-phase automatic reclosers for 22 kV and 33 kV 50 Hz distribution System
- Automatic switching equipment for HV power capacitor Bank
- Single-phase and Three-phase electromechanical and electronic energy meters

๑๓.๓ พัสตุที่จะจัดซื้อเป็น Porcelain cable spacer with grip locks and High-Density Polyethylene (HDPE) cable spacers and snap-tie ต้องรับประกันคุณภาพเป็นเวลาไม่น้อยกว่า ๕ ปี นับตั้งแต่วันที่การไฟฟ้าส่วนภูมิภาคได้รับมอบแล้ว

ถ้าพัสตุเกิดความบกพร่องเนื่องจากวัสดุและหรือฝีมือไม่ดี ต้องรีบจัดการแก้ไขหรือเปลี่ยนใหม่ ให้เรียบร้อยโดยไม่คิดมูลค่า ภายใน ๓๐ วัน นับตั้งแต่วันที่ได้รับแจ้งจากการไฟฟ้าส่วนภูมิภาค และหากความบกพร่องดังกล่าวเป็นเหตุให้เกิดความเสียหายหรือเกิดอุบัติเหตุใดๆขึ้น ผู้ชนะการเสนอราคาจะต้องรับผิดชอบค่าใช้จ่ายเสียหายทั้งหมด ตามข้อกำหนดทั่วไป และ/หรือรายละเอียดสเปค (Specification) จะกำหนดไว้ โดยไม่มีข้อโต้แย้งใดๆ

ในกรณีที่ผู้ชนะการเสนอการารับพัสตุไปแก้ไข หรือการไฟฟ้าส่วนภูมิภาคส่งมอบพัสตุให้ผู้ชนะการเสนอราคาไปดำเนินการแก้ไข และผู้ชนะการเสนอการาส่งมอบพัสตุที่แก้ไขแล้วคืนเกินกำหนดเวลา ๓๐ วัน ผู้ชนะการเสนอราคาต้องขยายกำหนดเวลารับประกันความชำรุดบกพร่องเท่ากับจำนวนวันที่เกินจากกำหนด ๓๐ วัน โดยนับต่อจากวันครบกำหนดเวลารับประกันเดิม สำหรับกรณีที่แก้ไขแล้วเสร็จพ้นกำหนดเวลารับประกัน ให้ขยายกำหนดตามจำนวนวันที่เกินจากกำหนด ๓๐ วัน โดยนับต่อจากวันส่งมอบพัสตุที่แก้ไขเสร็จเรียบร้อย แล้วแต่กรณี และยอมให้การไฟฟ้าส่วนภูมิภาคปรับเป็นรายวันในอัตรา ร้อยละ ๐.๐๕๑๐๙ ของราคาพัสตุรวมภาษีมูลค่าเพิ่ม ที่แก้ไขเกินกำหนด

ข้อ ๑๔ โครงการจัดซื้อจัดจ้างที่มีวงเงินตั้งแต่ ๕๐๐ ล้านบาทขึ้นไป รวมถึงการจัดซื้อจัดจ้างแบบเป็นกลุ่มประกวดราคา (Bid Group) ที่มีวงเงินตั้งแต่ ๕๐๐ ล้านบาทขึ้นไป (ตามประกาศคณะกรรมการความร่วมมือป้องกันการทุจริต เรื่อง มาตรฐานขั้นต่ำของนโยบายและแนวทางป้องกันการทุจริตในการจัดซื้อจัดจ้างที่ผู้ประกอบการ ต้องจัดให้มี ตามมาตรา ๑๙ แห่งพระราชบัญญัติการจัดซื้อจัดจ้างและการบริหารพัสดุภาครัฐ พ.ศ. ๒๕๖๐) ผู้เข้าร่วมการเสนอราคาจะต้องมีนโยบายและแนวทางการป้องกันการทุจริตในการจัดซื้อจัดจ้างพร้อมทั้ง ต้องแนบเอกสารหลักฐาน และแบบตรวจสอบข้อมูลของผู้ประกอบการที่จะเข้าร่วมการเสนอราคาในโครงการที่มีวงเงินตั้งแต่ ๕๐๐ ล้านบาทขึ้นไป ประกอบเป็นเอกสารการเสนอราคา โดยผู้ประกอบการจะต้องมีการดำเนินการตามแบบตรวจสอบข้อมูลครบถ้วนทุกข้อจึงจะผ่านการพิจารณาคุณสมบัติของ ผู้เสนอราคา

ทั้งนี้เงื่อนไขตามข้อ ๑๔ ดังกล่าวจะเริ่มใช้ตั้งแต่วันที่ ๕ กุมภาพันธ์ ๒๕๖๒ เป็นต้นไป

ข้อ ๑๕ โครงการจัดซื้อจัดจ้างที่มีวงเงินตั้งแต่ ๑,๐๐๐ ล้านบาทขึ้นไป จะต้องดำเนินการตามประกาศคณะกรรมการความร่วมมือป้องกันการทุจริต (ค.ป.ท.) เรื่องแนวทางและวิธีการในการดำเนินงานโครงการความร่วมมือป้องกันการทุจริตในการจัดซื้อจัดจ้างภาครัฐ แบบของข้อตกลงคุณธรรม การคัดเลือกผู้สังเกตการณ์ และการจัดทำรายงานตามมาตรา ๑๗ และ มาตรา ๑๘ แห่งพระราชบัญญัติการจัดซื้อจัดจ้างและการบริหารพัสดุภาครัฐ พ.ศ. ๒๕๖๐ และได้รับ คัดเลือก จากคณะกรรมการความร่วมมือป้องกันการทุจริต (ค.ป.ท.) ให้จัดทำข้อตกลงคุณธรรม (integrity pact :IP)

ผู้ประสงค์จะเข้าร่วมการเสนอราคาในโครงการจัดทำข้อตกลงคุณธรรมจะต้องลงนามในข้อตกลงคุณธรรมซึ่งเป็นเอกสารที่ยื่นพร้อมกับเอกสารเสนอราคา หากไม่ลงนามในข้อตกลงคุณธรรมจะไม่มีสิทธิเข้าร่วมการเสนอราคาในโครงการนั้น

เงื่อนไขเกี่ยวกับหม้อแปลงไฟฟ้าชำรุดระหว่างรับประกันคุณภาพ

“กรณีหม้อแปลงไฟฟ้าเกิดการชำรุดระหว่างการใช้งานและอยู่ภายในระยะเวลาประกัน การไฟฟ้าส่วนภูมิภาคขอสงวนสิทธิ์ในการผ่าพิสูจน์หม้อแปลงไฟฟ้า เพื่อหาสาเหตุการชำรุด โดยให้คู่สัญญาเข้าร่วมในกระบวนการผ่าพิสูจน์ หากผลการผ่าพิสูจน์ปรากฏว่า ใช้อุปกรณ์ไม่เป็นไปตามข้อกำหนดทางเทคนิค (Specification) ที่การไฟฟ้าส่วนภูมิภาคกำหนด การไฟฟ้าส่วนภูมิภาคขอสงวนสิทธิ์บอกเลิกสัญญา และเรียกค่าเสียหาย พร้อมทั้งพิจารณาให้เป็นผู้ทำงาน”

เงื่อนไขการเรียกเก็บค่าบริการทดสอบประกอบการจัดซื้อพัสดุ (เพิ่มเติม)

ในกรณีพัสดุที่การไฟฟ้าส่วนภูมิภาค (กฟภ.) จัดซื้อได้มีการกำหนดให้มีการทดสอบ กฟภ. สงวนสิทธิที่จะเรียกเก็บค่าบริการทดสอบกับผู้ยื่นข้อเสนอ/คู่สัญญา โดย กฟภ. จะเรียกเก็บค่าบริการทดสอบ ดังนี้

1) งานให้บริการทดสอบเพื่อประกอบการพิจารณาผลการจัดซื้อ งานให้บริการทดสอบเพื่อตรวจรับงานให้บริการทดสอบอุปกรณ์/พัสดุในโครงการจ้างเหมาก่อสร้างระบบไฟฟ้า งานให้บริการทดสอบเพื่อตรวจสอบและรับรองคุณภาพของผลิตภัณฑ์ และงานให้บริการทดสอบอื่นๆ ให้คิดค่าบริการทดสอบตามอัตราที่ กฟภ. กำหนดไว้

2) สำหรับการทดสอบอุปกรณ์/พัสดุ มีการคิดค่าบริการแบ่งเป็น 2 ลักษณะ ดังนี้

2.1 การทดสอบโดยหน่วยงานทดสอบของ กฟภ. จะดำเนินการคิดค่าบริการทดสอบตามอัตราที่ กฟภ. กำหนดไว้

2.2 การทดสอบโดยหน่วยทดสอบเครือข่ายหรือหน่วยทดสอบภายนอกที่ กฟภ. ยอมรับ หากมีเจ้าหน้าที่จาก กฟภ. เข้าร่วมเป็นสักขีพยานในการทดสอบ (Witness test) จะดำเนินการคิดค่าดำเนินการให้บริการในอัตรา 3,000 บาท/งาน/วัน (ไม่รวมภาษีมูลค่าเพิ่ม) และหากมีการใช้รถยนต์หรือยานพาหนะของ กฟภ. ในการเดินทางไปเข้าร่วมเป็นสักขีพยานในการทดสอบดังกล่าว จะมีการคิดค่าบริการเพิ่มขึ้นตามประเภทของรถยนต์ที่ใช้ในการเดินทางตามอัตราที่ กฟภ. กำหนดไว้

ทั้งนี้ กฟภ. จะเรียกเก็บค่าบริการทดสอบรวมข้อ 2.1 และ 2.2 ไม่เกินร้อยละ 10 ของมูลค่ารวมการจัดซื้อจัดจ้างในแต่ละรายการที่ส่งทดสอบ (ไม่รวมภาษีมูลค่าเพิ่ม) หากการขอรับบริการทดสอบใดไม่กำหนดมูลค่าการจัดซื้อจัดจ้างในแต่ละรายการที่ส่งทดสอบ กฟภ. ขอสงวนสิทธิคิดค่าบริการทดสอบตามอัตราที่ กฟภ. กำหนดไว้ตามค่าใช้จ่ายที่เกิดขึ้นจากการทดสอบจริงทั้งหมด

ในกรณีที่ผู้ยื่นข้อเสนอ/คู่สัญญา ไม่ส่งมอบหลักฐานการชำระค่าบริการทดสอบอุปกรณ์/พัสดุ หน่วยงานทดสอบของ กฟภ. มีสิทธิบอกเลิกการขอรับบริการทดสอบในครั้งนั้นๆ

ทั้งนี้ สามารถตรวจสอบได้ที่ www.pea.co.th -> ข่าวสารประกาศ -> หัวข้อ “อัตราค่าบริการทดสอบอุปกรณ์” และสามารถตรวจสอบรายการพัสดุพร้อมทั้งหัวข้อการทดสอบ เพื่อประกอบการพิจารณาผลการจัดซื้อ หรือ เพื่อการตรวจรับที่จะเรียกเก็บค่าบริการทดสอบ ได้ที่ <http://surl.li/ljfxg> หรือ QR code ด้านล่างนี้



รายละเอียดเพิ่มเติมการจัดซื้อหม้อแปลงไฟฟ้าระบบจำหน่าย

ผู้ที่ได้รับการสั่งซื้อ จะต้องยินยอมให้การไฟฟ้าส่วนภูมิภาคตรวจสอบการผลิตและการทดสอบหม้อแปลงไฟฟ้าระบบจำหน่ายที่ผลิตภายในประเทศ โดยมีรายละเอียดและขั้นตอนที่ผู้ได้รับการสั่งซื้อต้องปฏิบัติ ดังนี้

๑. กำหนดให้เป็นหน้าที่ของผู้ชนะการเสนอราคา ที่จะต้องจัดให้คณะกรรมการตรวจสอบการผลิตและการทดสอบ เข้าตรวจสอบการผลิตหม้อแปลงระบบจำหน่ายใน Lot ที่จะส่งมอบต่อการไฟฟ้าส่วนภูมิภาคชั้นหนึ่งก่อน เพื่อคณะกรรมการฯจะได้กลิ่นกรองคุณภาพในขั้นต้น ซึ่งหากพบข้อบกพร่องที่จะต้องแก้ไข ก็จะได้แก้ไขได้โดยง่าย เพราะยังอยู่ในระหว่างการผลิต

๒. คณะกรรมการตรวจสอบการผลิตและการทดสอบมีอำนาจที่จะสั่งให้ ผู้ชนะการเสนอราคาหรือผู้ผลิตแก้ไขข้อบกพร่องได้ทันทีที่พบข้อบกพร่องในขณะตรวจสอบการผลิตและการทดสอบ โดยแจ้งให้ผู้ชนะการเสนอราคาทราบเพื่อดำเนินการแก้ไข

๓. ชนิดหม้อแปลงที่จะตรวจสอบ รายละเอียดการตรวจสอบการผลิต และการทดสอบ

- ๓.๑ ชนิดหม้อแปลง ก. หม้อแปลงไฟฟ้า ๑ เฟส ระบบ ๑๙ เควี
ข. หม้อแปลงไฟฟ้า ๑ เฟส ระบบ ๒๒ เควี
ค. หม้อแปลงไฟฟ้า ๓ เฟส ระบบ ๒๒ เควี
ง. หม้อแปลงไฟฟ้า ๓ เฟส ระบบ ๓๓ เควี

๓.๒ รายละเอียดการตรวจสอบ สายการผลิตและการทดสอบ

ก. ตรวจสอบวัตถุดิบ (Material) ที่นำเข้าไปใช้ในสายการผลิตของอุปกรณ์หลักๆ ให้เป็นไปตามสัญญา ดังนี้

- Bushing
- Terminal connectors
- Magnetic path (core)
- Copper
- Tap changer
- Transformer oil

ข. ตรวจสอบกรรมวิธีการผลิต (Process) ให้เป็นไปตามมาตรฐาน หรือสัญญา ดังนี้

- Transformer tank
- Coil forming (การพันขดลวด)
- Core forming (การประกอบแกนเหล็ก)

ค. ตรวจสอบการทดสอบรายการ Routine tests ให้เป็นไปตามมาตรฐาน โดยการสุ่มตัวอย่างหม้อแปลง เพื่อดำเนินการทดสอบตามหลักเกณฑ์ที่การไฟฟ้าส่วนภูมิภาคกำหนด

ง. ตรวจสอบการทดสอบรายการ Type test (ยกเว้นรายการทดสอบ

Temperature rise test) ให้เป็นไปตามมาตรฐานที่กำหนด

ส่วนการทดสอบ Temperature rise test เนื่องจากต้องใช้เวลาในการทดสอบ

เป็นเวลานาน ไม่อาจจะ witness ที่โรงงานของผู้ผลิตได้ ให้ดำเนินการ

สุ่มตัวอย่างหม้อแปลงจำนวน ๑ ตัวอย่าง ของแต่ละแบบขนาดระบบแรงดัน

ในแต่ละสัญญามาทดสอบที่ การไฟฟ้าส่วนภูมิภาค

๔. กรณีผู้ชนะการเสนอราคาไม่ได้จัดให้คณะกรรมการตรวจสอบการผลิตและการทดสอบ
เข้าตรวจสอบการผลิตขั้นต้นก่อนส่งมอบใน Lot ใด หรือไม่ยอมแก้ไขข้อบกพร่องตามที่คณะกรรมการฯ
แจ้งให้แก้ไข คณะกรรมการตรวจรับพัสดุ สงวนสิทธิที่จะปฏิเสธการรับหม้อแปลง Lot นั้นๆ ได้

๕. การตรวจสอบในขั้นต้นของคณะกรรมการตรวจสอบการผลิตและการทดสอบ นั้น จะไม่ถือ
ว่าเป็นการตรวจรับ หม้อแปลงใน Lot นั้นๆ จนกว่าจะมีการส่งมอบและตรวจรับของตามสัญญาอย่างถูกต้อง โดย
ให้คณะกรรมการฯ เป็นผู้สุ่มหม้อแปลงที่จะทดสอบในการตรวจรับ ให้คณะกรรมการตรวจรับด้วย

๖. คณะกรรมการตรวจสอบการผลิตและการทดสอบ มีสิทธิเลือกสุ่ม หรือนำหม้อแปลงที่
อยู่ระหว่างการผลิตมาทดสอบ และหากหม้อแปลงนั้นต้องชำรุดหรือเสียหายจากการทดสอบคุณภาพ ผู้ผลิต
จะต้องไม่เรียกค่าเสียหายใดๆ ทั้งสิ้น

๗. ความล่าช้าอันเนื่องมาจากเหตุตามข้อ ๔ ผู้ชนะการเสนอราคาจะถือเป็นเหตุยกเว้นความ
รับผิดชอบในการส่งมอบหม้อแปลงตามกำหนดเวลาในสัญญา มิได้

๘. เพื่อขจัดปัญหาข้อขัดแย้งเกี่ยวกับคุณภาพการผลิตและการทดสอบ ซึ่งอาจเกิดขึ้น
ระหว่างคณะกรรมการฯ กับผู้ชนะการเสนอราคา ให้ถือผลการทดสอบของ กองหม้อแปลง การไฟฟ้าส่วน
ภูมิภาค เป็นข้อยุติ