



การไฟฟ้าส่วนภูมิภาค
PROVINCIAL ELECTRICITY AUTHORITY

PROVINCIAL ELECTRICITY AUTHORITY

POWER SYSTEM STANDARD DIVISION

HIGH-VOLTAGE DISTRIBUTION FUSE CUTOUTS AND FUSE LINKS

Specification No.: RPRO-012/2556

Approved date: 19 ต.ค.2556

Rev. No.: 2

Form No. 06-3

Page 1 of 9

Invitation to Bid No: PEA(S2)กบพ.012/2567

C Material, equipment, and specifications for HIGH-VOLTAGE DISTRIBUTION FUSE CUTOUTS AND FUSE LINKS

C1 General material and packing instructions

Additional to the general instructions, the following shall be observed:

1a Scope

These specifications cover high-voltage distribution fuse cutouts (fuse cutouts) and fuse links; suitable for installation in 22 kV and 33 kV 50 Hz distribution systems with solidly grounded neutral at substations.

1b Standards

The fuse cutouts and fuse links shall be manufactured and tested in accordance with following standard:

Institute of Electrical and Electronics Engineers (IEEE)

IEEE C37.42-2009 : IEEE Standard specifications for high-voltage (>1000 V) expulsion-type distribution-class fuses, fuse and disconnecting cutouts, fuse disconnecting switches, and fuse links, and accessories used with these devices

And all other relevant standard, unless otherwise specified in these specification

PEA will also accept the fuse cutouts and fuse links tested in accordance with the later version of the above standard.

1c Principal requirement

1c.1 Service conditions and installation

The fuse cutouts and fuse links shall be suitable for operation under the following conditions:

Altitude : up to 1,000 m above sea level

Ambient air temperature : up to 40°C

Relative humidity : up to 94 %

Climatic condition : tropical climate



การไฟฟ้าส่วนภูมิภาค
PROVINCIAL ELECTRICITY AUTHORITY

PROVINCIAL ELECTRICITY AUTHORITY

POWER SYSTEM STANDARD DIVISION

HIGH-VOLTAGE DISTRIBUTION FUSE CUTOUTS AND FUSE LINKS

Specification No.: RPRO-012/2556

Approved date: 19 ต.ค.2556

Rev. No.: 2

Form No. 06-3

Page 2 of 9

1c.2 Fuse cutouts

The fuse cutout shall be single-pole, single throw, drop-open, outdoor single venting type, and shall have fuse holder. The construction of the fuse cutout is shown in **figure 1** in drawing No.SA4-015/56004 attached.

Each fuse cutout shall be comprised and equipped with:

- 1) Contacts, stationary and moving, of silver to silver
- 2) Fuse holder, suitable for removable buttonhead type fuse link. Thread dimension of solid cap of the fuse holder shall be M 22 x 2 mm . Fuse holder fittings shall be made of high conductivity copper-alloy casting. Fuse tube shall be made of fiberglass reinforced. Inner diameters of pulling eye and lifting eye shall be not less than 26 mm. Dimensions of the 22 kV and 33 kV fuse holders shall be according to **figure 2** and **figure 3** shown in drawing No.SA4-015/56004 respectively.
- 3) Spring loaded flipper. The spring loaded shall be designed for receiving pressure at the fuse holder of not less than 6 kg.
- 4) Spring latch to prevent opening under vibration
- 5) Upper and lower terminal connectors (pads) and cable lugs, 2-hole NEMA pad. The bolts, nuts, lockwashers and spring lockwashers (if any), furnished on the terminal pads and cable lugs, shall be made of stainless steel or better.
- 6) Upper and lower shield mounting parts, made of galvanized steel grade HR1, or better
- 7) Upper contact shield, made of galvanized steel grade HR1, or stainless steel grade 304, or brass with Cu \geq 80% (i.e. UNS C93600, JIS CAC 406 (BC 6))
- 8) Loadbuster hooks
- 9) Insulator, porcelain, alternate shed, single piece and bird-proofed, preferably brown glazed. Complete with insulator mounting support made of galvanized steel grade HR1, or better
- 10) Lower contact shield (Hinge support), made of stainless steel grade 304 or brass with Cu \geq 80% (i.e. UNS C93600, JIS CAC 406 (BC 6))
- 11) Mounting bracket, type B according to IEEE C37.42, suitable for cross-arm section range of 100 mm x 100 mm to 120 mm x 120 mm, with carriage bolts of not less than 150 mm long, see **figure 4** and **figure 5** shown in drawing No.SA4-015/56004
- 12) Others according to manufacturer's design.

When mounting the fuse cutout on the mounting bracket, the center line through the top and bottom of the insulator shall be at an angle of 15° to 30° from the vertical.



การไฟฟ้าส่วนภูมิภาค
PROVINCIAL ELECTRICITY AUTHORITY

PROVINCIAL ELECTRICITY AUTHORITY

POWER SYSTEM STANDARD DIVISION

HIGH-VOLTAGE DISTRIBUTION FUSE CUTOUTS AND FUSE LINKS

Specification No.: RPRO-012/2556

Approved date: 19 ต.ค.2556

Rev. No.: 2

Form No. 06-3

Page 3 of 9

The fuse cutouts shall have characteristics as follows:

Characteristics	Nominal system voltage	kV	22	33
	Unit	Requirement		
Rated frequency	Hz	50	50	
Rated maximum (design) voltage	kV r.m.s.	27	38	
Rated continuous current	A r.m.s.	Stated in "C3 Schedule of detailed requirement"		
Rated interrupting current	kA r.m.s.			
Basic impulse insulation level (BIL), with standard wave	kV peak	not less than 125	not less than 150	
Minimum power frequency dry withstand test voltage, terminal to ground	kV r.m.s.	42	70	
Minimum creepage distance of porcelain insulator from live part to ground	mm	320	650	
Minimum creepage factor of insulator (Creepage distance/Arcing distance)	-	2.0	2.3	

1c.3 Fuse links

The fuse links shall be removable button head type. Thread dimension of button head and arc shortening rod shall be 1/4"-28UNF. The fuse element shall be soldered each both end. Dimension of the fuse link shall be according to **figure 6** shown in drawing No.SA4-015/56004.

The electrical properties of the fuse link must be guaranteed and shall be designed to prevent the fuse holder damage from arc interruption when the fuse blows.

1c.4 Samples

Samples shall be supplied on request. In case of samples are requested by PEA, The bidder have to supply samples of each item of the fuse cutouts or the fuse links within fifteen (15) calendar days.

The bidders who cannot supply the requested samples shall be rejected.

PEA reserves the right to test the samples according to PEA's testing procedure. In case of the failing test results, the bidders shall be rejected.

The samples shall not be returned.



การไฟฟ้าส่วนภูมิภาค
PROVINCIAL ELECTRICITY AUTHORITY

PROVINCIAL ELECTRICITY AUTHORITY

POWER SYSTEM STANDARD DIVISION

HIGH-VOLTAGE DISTRIBUTION FUSE CUTOUTS AND FUSE LINKS

Specification No.: RPRO-012/2556

Approved date: 19 ต.ค.2556

Rev. No.: 2

Form No. 06-3

Page 4 of 9

1c.5 Markings

The markings shall be marked legibly and durably as follows:

- 1) PEA's trademark (as figure below), manufacturer's name and/or trademark, month and year of manufacture, and contract number shall be marked on the fuse cutout body (insulator or metal part).



- 2) Manufacturer's name and/or trademark, month and year of manufacture, contract number, and ratings (rated maximum voltage, rated continuous current and rated interrupting current) shall be marked on the fuse holder (metal part only).
- 3) The marking on the fuse cutout body and fuse holder using plastic sticker shall not be accepted.
- 4) Amperage shall be marked on each buttonhead of the fuse links.
- 5) Other according to manufacturer's design

1d Packing

The fuse cutouts shall be separately seaworthy packed in suitable carton boxes.

Each fuse link shall be separately packed in suitable packages.

The carton boxes/packages shall be packed in pallet base crate or pallet base wooden case to avoid damage during transportation, see **Table 1** for packing detail.

If the pallet base crate or pallet base wooden case is made of rubber wood (Yang-para), the wooden parts shall be treated with wood preservative. The details of wood treatment shall be described.

Table 1
Packing details of fuse cutouts

System voltage (kV)	Quantity per carton box (set)	Quantity per pallet base crate /pallet base wooden case (carton boxes)
22	1	50
33	1	40



PROVINCIAL ELECTRICITY AUTHORITY

POWER SYSTEM STANDARD DIVISION

HIGH-VOLTAGE DISTRIBUTION FUSE CUTOUTS AND FUSE LINKS

Specification No.: RPRO-012/2556

Approved date: 19 ต.ค.2556

Rev. No.: 2

Form No. 06-3

Page 5 of 9

1e Test inspection and test reports

The fuse cutouts and fuse links shall be passed the manufacturer's standard routine tests, and also passed the routine tests in accordance with the relevant IEEE standard.

The routine test items shall be submitted with the bid.

The fuse cutouts and fuse links shall be passed all items of the type/design tests in accordance with the relevant IEEE standard and shall be passed additional type/design test items as follows:

Test items/Description	Nominal system voltage		
	kV	22	33
- Minimum basic impulse insulation level (BIL) (Procedure B according to IEEE 4 "Fifteen impulse of the specified shape and polarity at the withstand voltage level are applied to the test object. The requirements of the test are satisfied if not more than two disruptive discharges occur in the self-restoring part of the insulation.")	kV peak	125	150
- Minimum critical impulse flashover voltage (CFO)	kV peak	140	165
- Minimum power-frequency wet test voltage, terminal to ground, at 60 s	kV r.m.s.	36	60

All items of the type/design tests and additional type/design tests shall be conducted by the acknowledged independent testing laboratory.

The following independent testing laboratories accepted by PEA:

- KEMA : KEMA Laboratories (THE NETHERLANDS)
- V' Fall : Statens Vattenfallsverk, The Swedish State Power Board (SWEDEN)
- CRIEPI : Central Research Institute of Electric Power Industry (JAPAN)
- EdF : Electricite de France (FRANCE)
- CESI : Centro Elettrotecnico Sperimentale Italiano (ITALY)
- PLI : Powertech High Power Laboratory (CANADA)
- STRI : Swedish Transmission Research Institute (SWEDEN)
- TCA : Testing and Certification (AUSTRALIA)
- OHT : Ontario Hydro Technologies (CANADA)
- EGAT : The Electricity Generating Authority of Thailand (THAILAND)
- : Testing Laboratory, Electrical Engineering Department, Faculty of Engineering, Chulalongkorn University (THAILAND)
- SATS : Scandinavian Association for Testing Electric Power Equipment (NORWAY)
- ASTA : ASTA Certification Services (UK)



The bidder are at liberty to quote the fuse cutouts and fuse links which are tested at the other independent testing laboratories not mentioned above, but have to be subjected to approval of PEA before the tests are proceeded and before the bid closing date.

PEA will also accept type/design test reports accordance with the relevant IEEE standards conducted by the manufacturer or other independent testing laboratories not mentioned above. In this case the bidder shall submit evidence of the manufacturing experience of at least twenty (20) years of fuse cutouts and fuse links.

PEA will also accept the fuse cutouts and fuse links have been supplied to PEA and get the order from PEA's Procurement Department (from PEA's Head office), without test reports by laboratories mentioned above.

The type/design test certificates or test reports of the fuse cutouts and fuse links having same type/design as the proposed fuse cutouts and fuse links shall be submitted with the bid or within fifteen (15) calendar days after the bid closing date. The Item offered without submitting the type test reports shall be rejected.

The costs of all tests and reports shall be borne by the Contractor.

PEA reserves the right to send the representatives at PEA's expense to inspect and witness test of the material and equipment during manufacturing, at the time of shipment or at any time he deems necessary. The supplier shall provide free access to the facilities where the equipment is being manufactured and shall satisfy the representatives that the material and equipment are in accordance with this specification and the purchase contract.

The acceptance inspection by PEA shall be as follows:

- Dimension and pressure tests for the fuse holders

Ten (10) samples of the fuse holders shall be selected at random from each lot and tested in accordance with following items:

(1) Dimensional test

The dimensions of all samples shall be measured by PEA's standard gauge as shown in drawing No.SA4-015/56005.

(2) Pressure test

The pressure test of all samples shall be tested by PEA's standard measuring device as shown in drawing No.SA4-015/56005.

In case of the test failed more than one (1) sample for either dimensional test or pressure test, another ten (10) samples of the fuse holders shall be selected and tested for dimension and pressure testing, all samples shall be passed the tests.

- Mechanical strength (operation) test for the fuse cutouts

Three (3) samples of the fuse cutouts shall be selected at random from each lot. The samples shall be mounted on the testing machine as shown in drawing No.SA4-015/56006 for mechanical strength (operation) test at 200 operations under load of 475 ± 25 N. After the test all samples shall be no crack or loose on any part components.



การไฟฟ้าส่วนภูมิภาค
PROVINCIAL ELECTRICITY AUTHORITY

PROVINCIAL ELECTRICITY AUTHORITY

POWER SYSTEM STANDARD DIVISION

HIGH-VOLTAGE DISTRIBUTION FUSE CUTOUTS AND FUSE LINKS

Specification No.: RPRO-012/2556

Approved date: 19 ต.ค.2556

Rev. No.: 2

Form No. 06-3

Page 7 of 9

C2 Material and packing data to be given by bidder

2a For each item offered, the following details shall be submitted:

Fuse cutouts

Catalogue number

Manufacturer's name and technical data of insulators

Description of materials and surface finishing of the component parts of fuse cutouts, as follows:

- Contacts
- Fuse holders; fuse tubes, and fuse holder fittings
- Spring loaded flippers
- Spring latches
- Upper and lower terminal connectors
- Upper and lower shield mounting parts
- Upper contact shield
- Loadbuster hooks
- Insulator
- Lower contact shield (Hinge support)
- Mounting brackets
- etc.

Rated frequency in Hz

Rated maximum (design) voltage in kV r.m.s.

Rated continuous current in A r.m.s.

Rated interrupting current in kA r.m.s.

Basic impulse insulation level (BIL), with standard wave in kV peak

Minimum power frequency dry withstand test voltage, terminal to ground in kV r.m.s.

Creepage distance of porcelain insulator from live part to ground in mm

Creepage factor of insulator

Range of fuse links which can be used with the same fuse cutout

Contact resistance in Ω

Weight in kg/set

Fuse links

Catalogue number

Description of materials used for the component parts

Surface finishing of the contacts

Rated current in A

Chart of melting time (current in A depending on melting time in second)

Chart of clearing time (current in A depending on clearing time in second)

Weight in kg/100 pieces



การไฟฟ้าส่วนภูมิภาค
PROVINCIAL ELECTRICITY AUTHORITY

PROVINCIAL ELECTRICITY AUTHORITY

POWER SYSTEM STANDARD DIVISION

HIGH-VOLTAGE DISTRIBUTION FUSE CUTOUTS AND FUSE LINKS

Specification No.: RPRO-012/2556

Approved date: 19 ต.ค.2556

Rev. No.: 2

Form No. 06-3

Page 8 of 9

2b Details and drawings, with main dimensions in mm, of:

- Fuse cutouts
- Insulators
- Terminal connectors
- Hinge supports
- Fuse holders
- Fuse holder caps
- Mounting brackets
- Fuse links

2c Packing details

Fuse cutout

Packing method (shown by drawing(s) and describe packing materials)

Number of fuse cutout(s) in each carton box

Dimensions of each carton box in cm

Volume of each carton box in m³

Gross weight of each carton box in kg

Net weight of each carton box in kg

Number of carton boxes

If several carton boxes are contained in pallet base crate or pallet base wooden case, further details are required:

Number of carton boxes in each pallet base crate or pallet base wooden case

Dimensions of each pallet base crate or pallet base wooden case in cm

Volume of each pallet base crate or pallet base wooden case in m³

Gross weight of each pallet base crate or pallet base wooden case in kg

Number of pallet base crates or pallet base wooden cases

Fuse link

Packing method

Dimensions of each package in cm

Volume of each package in m³

Gross weight of each package in kg

Net weight of each package in kg

Number of packages



การไฟฟ้าส่วนภูมิภาค
PROVINCIAL ELECTRICITY AUTHORITY

PROVINCIAL ELECTRICITY AUTHORITY

POWER SYSTEM STANDARD DIVISION

HIGH-VOLTAGE DISTRIBUTION FUSE CUTOUTS AND FUSE LINKS

Specification No.: RPRO-012/2556

Approved date: 19 ต.ค.2556

Rev. No.: 2

Form No. 06-3

Page 9 of 9

If several packages are contained in one big case, further details are required:

Number of packages in each case

Dimensions of each case in cm

Volume of each case in m³

Gross weight of each case in kg

Number of cases

Note: Conditions for documentation and consideration

1. The **Contractor** has to supply documents as follows:

- (1) One (1) set of instruction book for installation, operation and maintenance of the fuse cutouts shall be packed together with each package **in English or Thai**.
- (2) Reports of type/design tests and routine tests of the proposed fuse cutouts and fuse links shall be sent to the Authority, thirty (30) calendar days before the first shipment, at the following address:

Power System Standard Division

Provincial Electricity Authority

200 Ngam Wong Wan Road, Chatuchak

Bangkok Metropolis 10900 Thailand

2. Delivery time is one of the important factors to be considered.

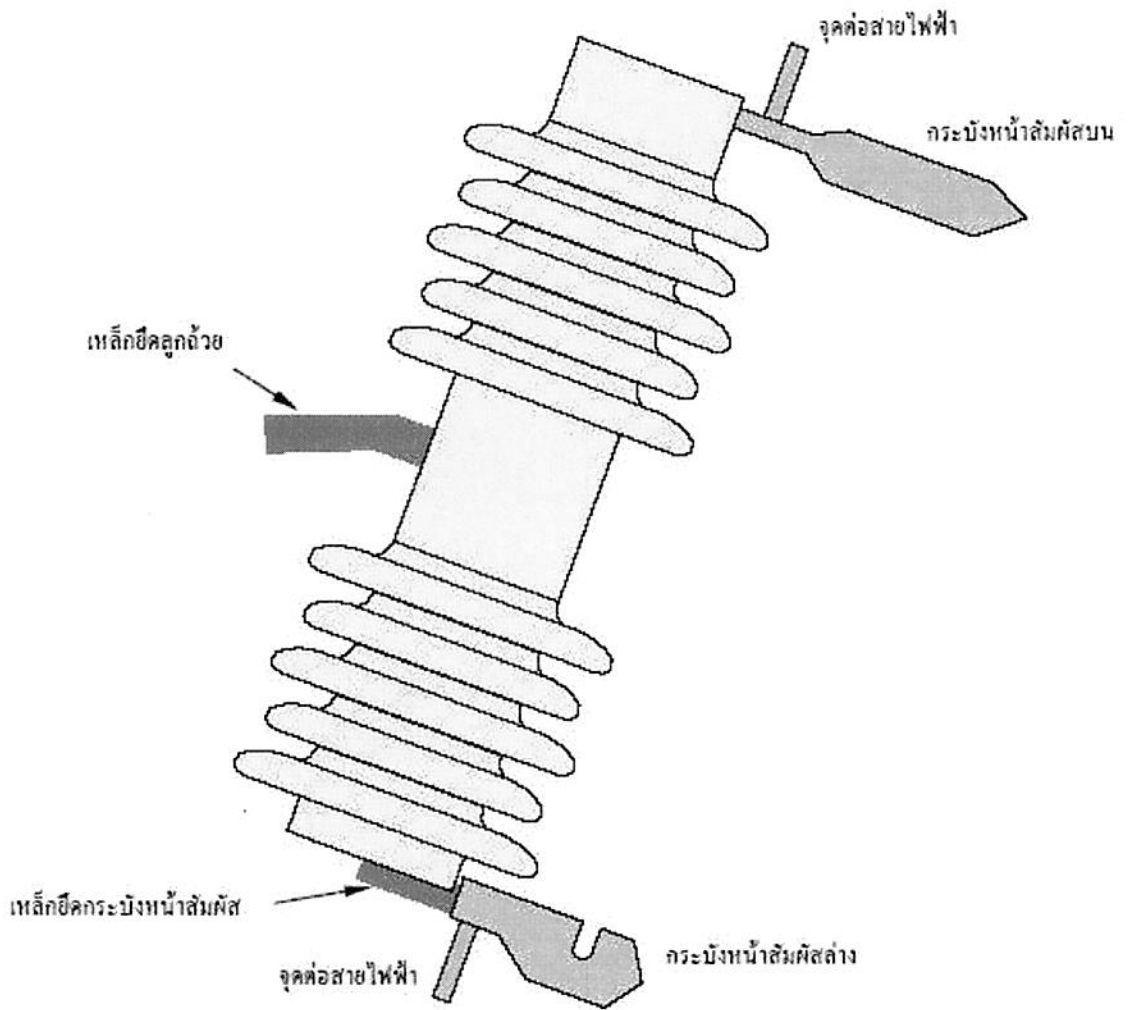


Figure 1.1 Construction of fuse cutout

กงมาตรฐานระบบไฟฟ้า ฝ่ายมาตรฐานและความปลอดภัย	การไฟฟ้าส่วนภูมิภาค	ใช้แทนแบบ..... ถูกแทนโดยแบบ.....
ผู้เขียน...จุมพล แก้วยิ้ม..... ผู้สำรวจ..... วิศวกร...จุมพล แก้วยิ้ม..... หัวหน้าแผนก.....	Construction of fuse cutout	เขียนเสร็จวันที่..... แก้มบวันที่..... มิติเป็น..... มาตราส่วน.....
ผู้อำนวยการกอง..... ผู้อำนวยการฝ่าย.....	Appendix I	แบบเลขที่ SA4-015/56004 แผ่นที่.....1.....ของจำนวน.....5.....แผ่น

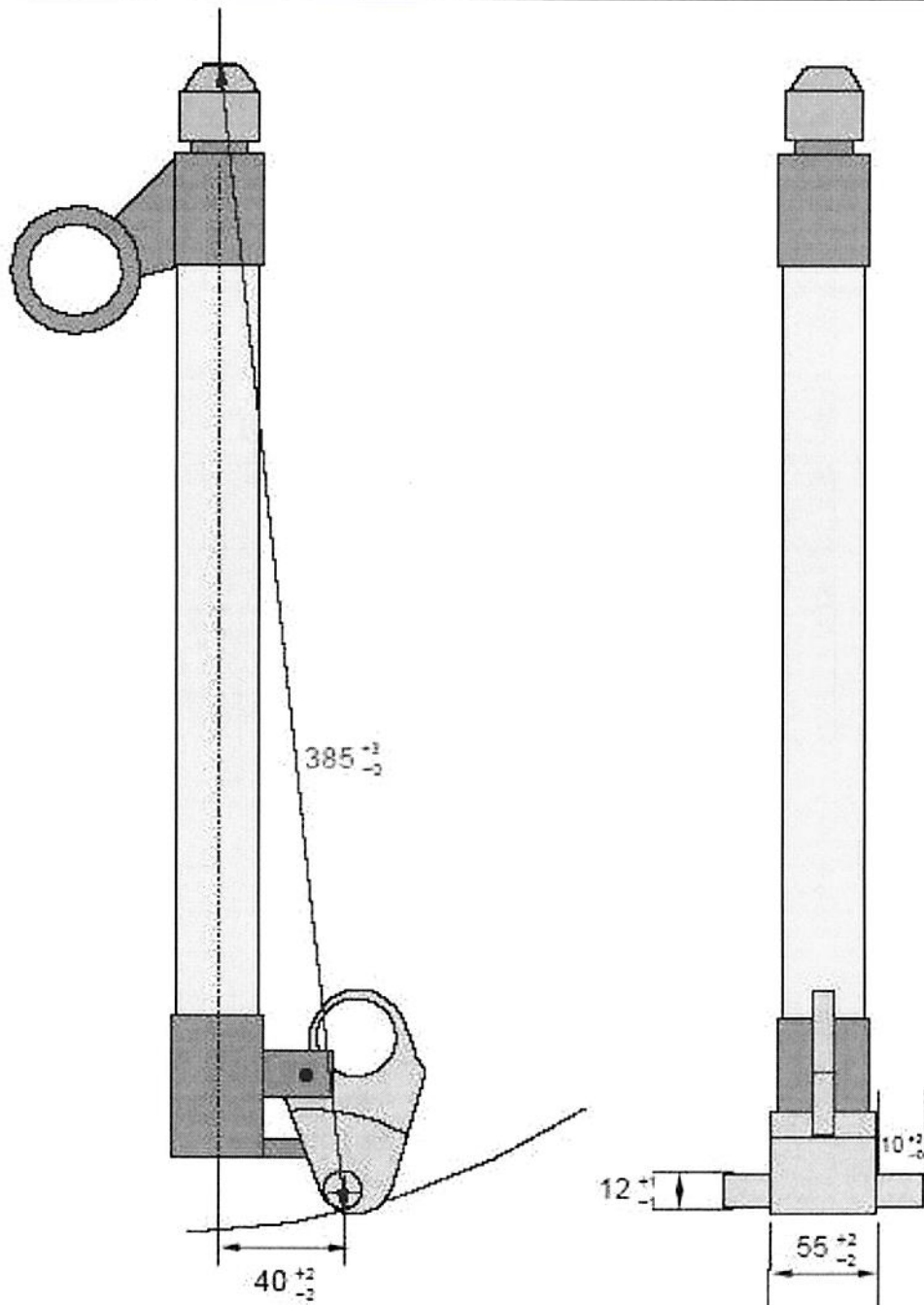


Figure 1.2 Fuse holder for 22 kV

กองมาตรฐานระบบไฟฟ้า ฝ่ายมาตรฐานและความปลอดภัย	การไฟฟ้าส่วนภูมิภาค	ใช้แทนแบบ..... ถูกแทนโดยแบบ.....
ผู้เขียน...จุมพล แก้วยิ้ม..... ผู้สำรวจ..... วิศวกร...จุมพล แก้วยิ้ม..... หัวหน้าแผนก.....	Construction of fuse cutout	เขียนเสร็จวันที่..... แก้มบวันที่..... มิติเป็น..... มาตรฐาน.....
ผู้อำนวยการกอง..... ผู้อำนวยการฝ่าย.....	Appendix I	แบบเลขที่ SA4-015/56004 แผ่นที่.....2.....ของจำนวน.....5.....แผ่น

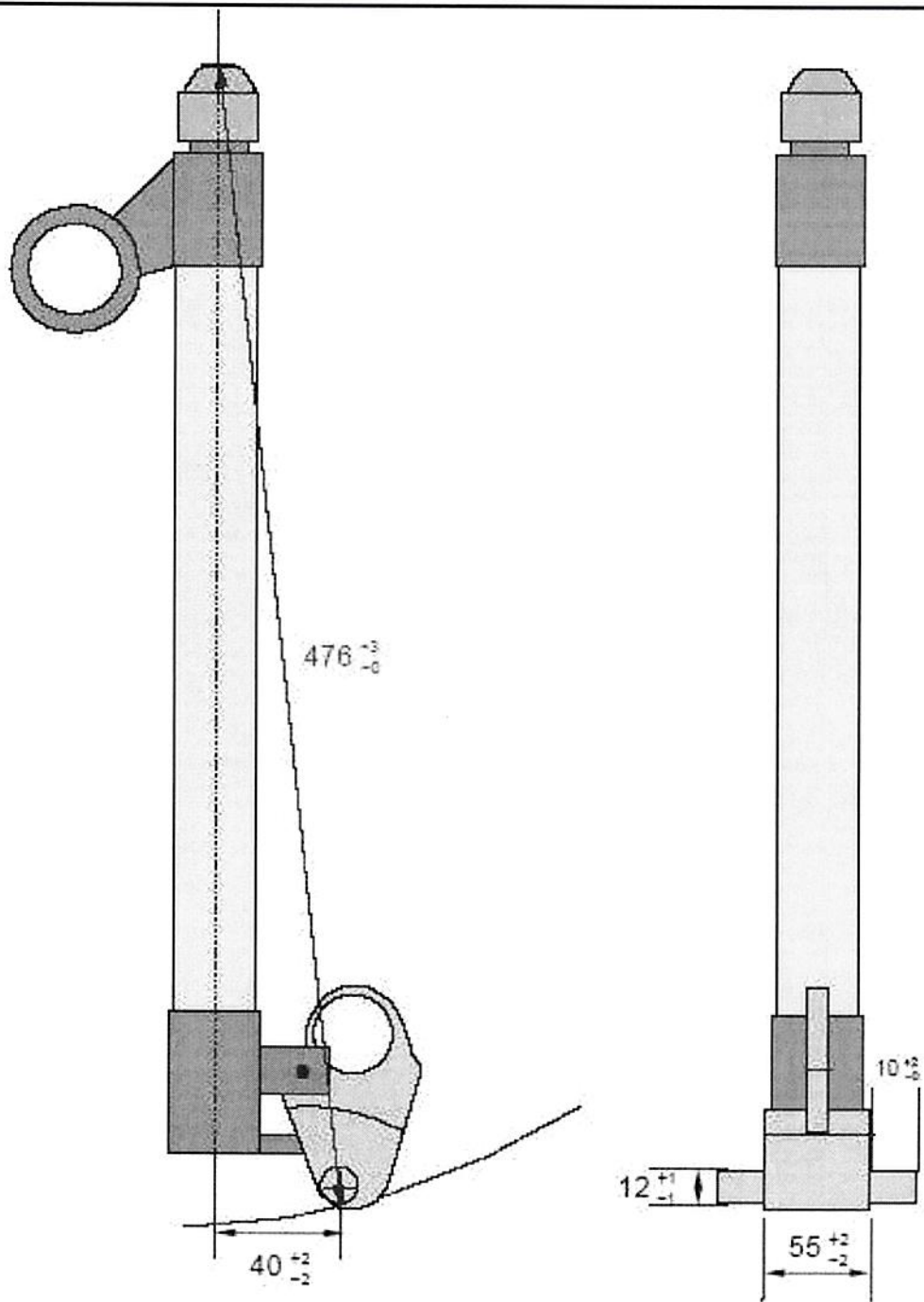


Figure 1.3 Fuse holder for 33 kV

กงมาตรฐานระบบไฟฟ้า ฝ่ายมาตรฐานและความปลอดภัย	การไฟฟ้าส่วนภูมิภาค	ใช้แทนแบบ..... ถูกแทนโดยแบบ.....
ผู้เขียน...จุมพล แก้วยิ้ม..... ผู้สำรวจ..... วิศวกร...จุมพล แก้วยิ้ม..... หัวหน้าแผนก.....	Construction of fuse cutout	เขียนเสร็จวันที่..... แก้แบบวันที่..... มิติเป็น..... มาตราส่วน.....
ผู้อำนวยการกอง..... ผู้อำนวยการฝ่าย.....	Appendix I	แบบเลขที่ SA4-015/56004 แผ่นที่.....3.....ของจำนวน.....5.....แผ่น

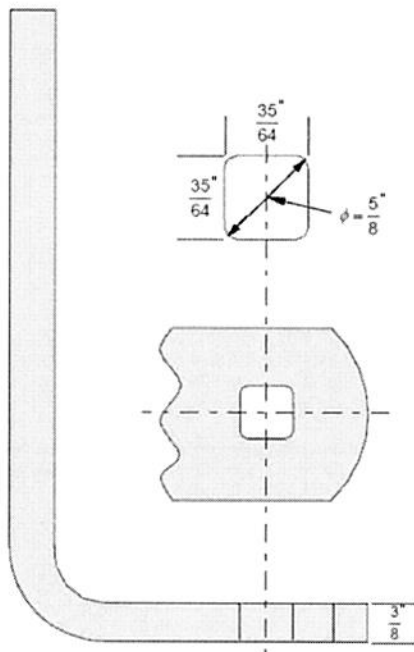


Figure 1.4 Type B mounting bracket according to IEEE C37.42

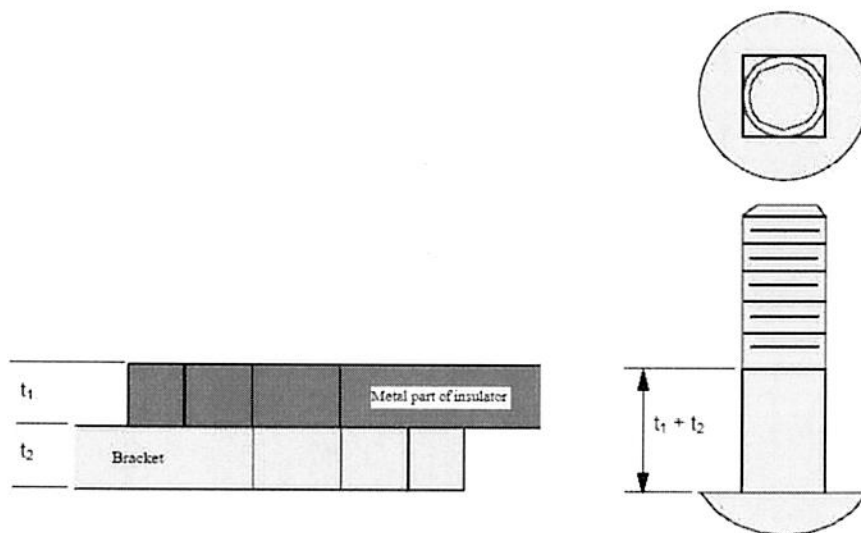


Figure 1.5 Bolt for connect bracket to metal part of insulator

Note :

- All dimension in inch.
- Tolerance of all dimensions shall be according to IEEE C37.42.

กองมาตรฐานระบบไฟฟ้า ฝ่ายมาตรฐานและความปลอดภัย	การไฟฟ้าส่วนภูมิภาค	ใช้แทนแบบ..... ถูกแทนโดยแบบ.....
ผู้เขียน...จุมพล แก้วยิ้ม..... ผู้สำรวจ..... วิศวกร...จุมพล แก้วยิ้ม..... หัวหน้าแผนก.....	Construction of fuse cutout	เขียนเสร็จวันที่..... แก่แบบวันที่..... มิติเป็น..... มาตราส่วน.....
ผู้อำนวยการกอง..... ผู้อำนวยการฝ่าย.....	Appendix I	แบบเลขที่ SA4-015/56004 แผ่นที่.....4.....ของจำนวน.....5.....แผ่น

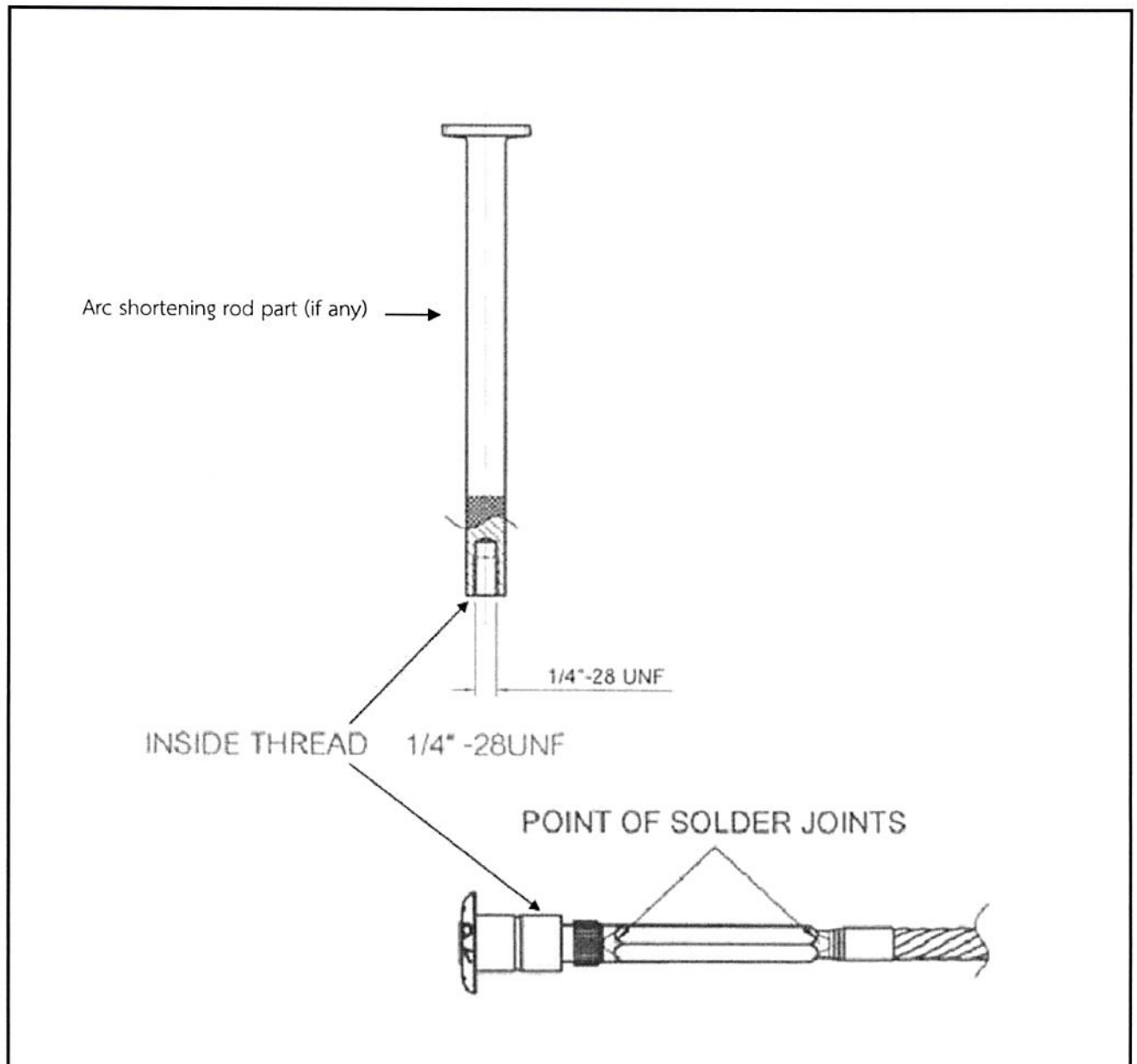


Figure 1.6 Thread dimension of button head and arc shortening rod

กองมาตรฐานระบบไฟฟ้า ฝ่ายมาตรฐานและความปลอดภัย	การไฟฟ้าส่วนภูมิภาค	ใช้แทนแบบ..... ถูกแทนโดยแบบ.....
ผู้เขียน...จุมพล แก้วอ๋ม..... ผู้สำรวจ..... วิศวกร...จุมพล แก้วอ๋ม..... หัวหน้าแผนก.....	Construction of fuse cutout	เขียนเสร็จวันที่..... แก้แบบวันที่..... มิติเป็น..... มาตรฐาน.....
ผู้อำนวยการกอง..... ผู้อำนวยการฝ่าย.....	Appendix I	แบบเลขที่ SA4-015/56004 แผ่นที่.....5.....ของจำนวน.....5.....แผ่น

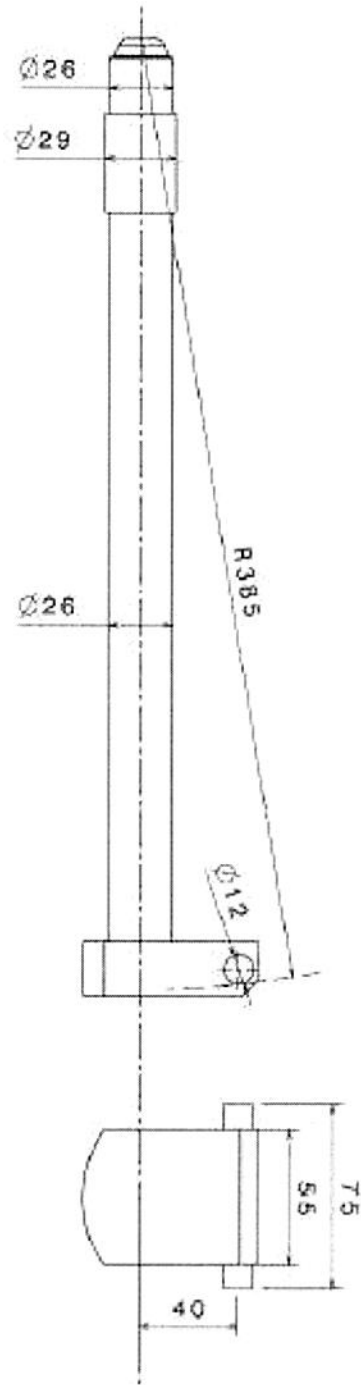
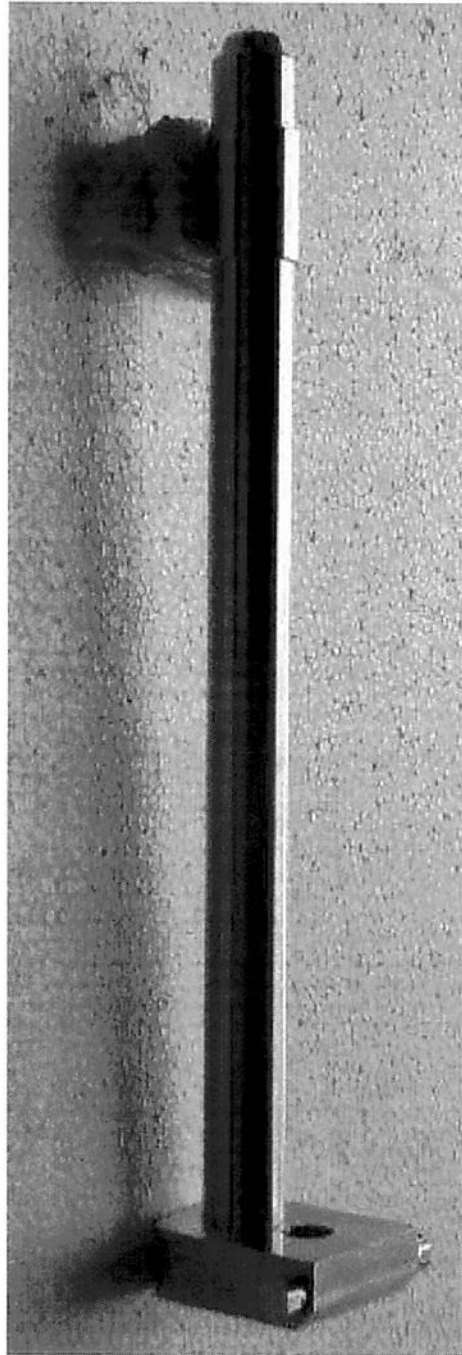


Figure 1.2 Fuse holder for 22 kV

กองมาตรฐานระบบไฟฟ้า ฝ่ายมาตรฐานและความปลอดภัย	การไฟฟ้าส่วนภูมิภาค	ใช้แทนแบบ..... ถูกแทนโดยแบบ..... เขียนเสร็จวันที่..... แก้มแบบวันที่..... มิติเป็น..... มาตรฐานส่วน.....
ผู้เขียน...จุมพล แก้วยิ้ม..... ผู้สำรวจ..... วิศวกร...จุมพล แก้วยิ้ม..... หัวหน้าแผนก.....	Dimension and pressure tests for the fuse holders	แบบเลขที่ SA4-015/56005 แผ่นที่.....1.....ของจำนวน.....3.....แผ่น
ผู้อำนวยการกอง..... ผู้อำนวยการฝ่าย.....	Appendix II	

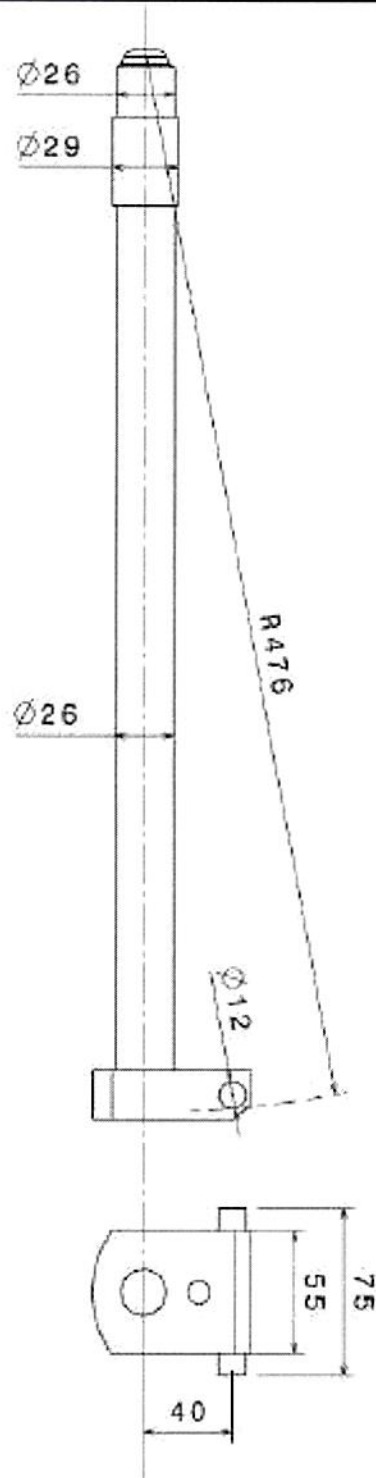
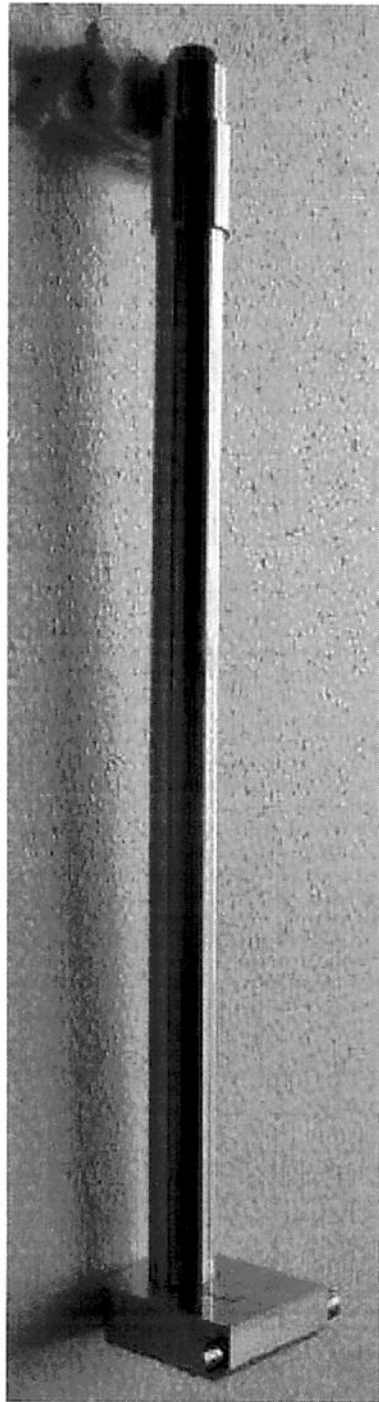
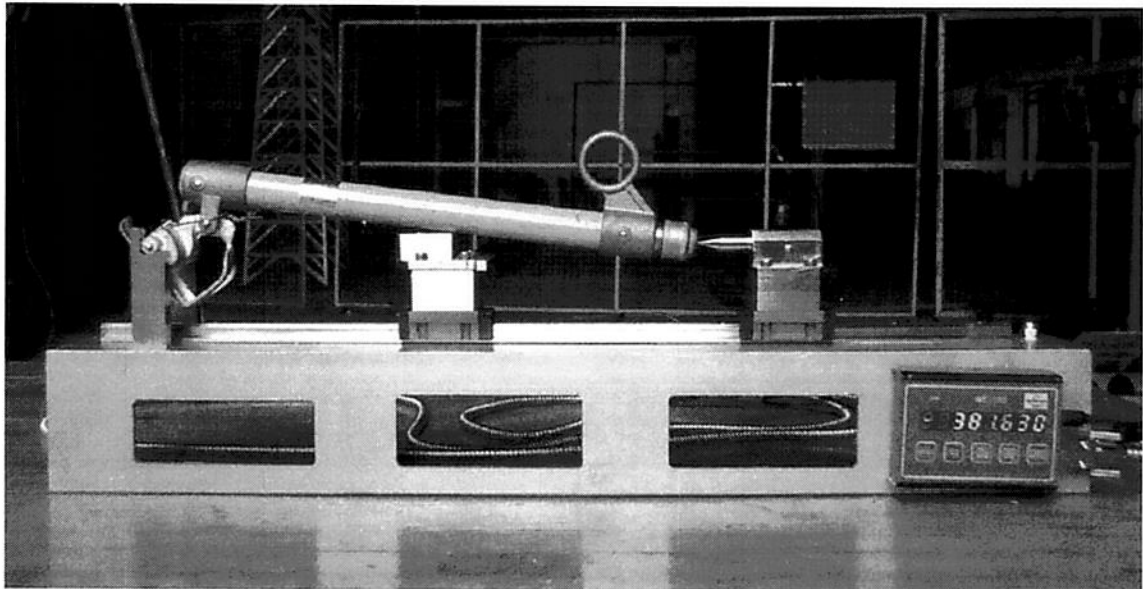
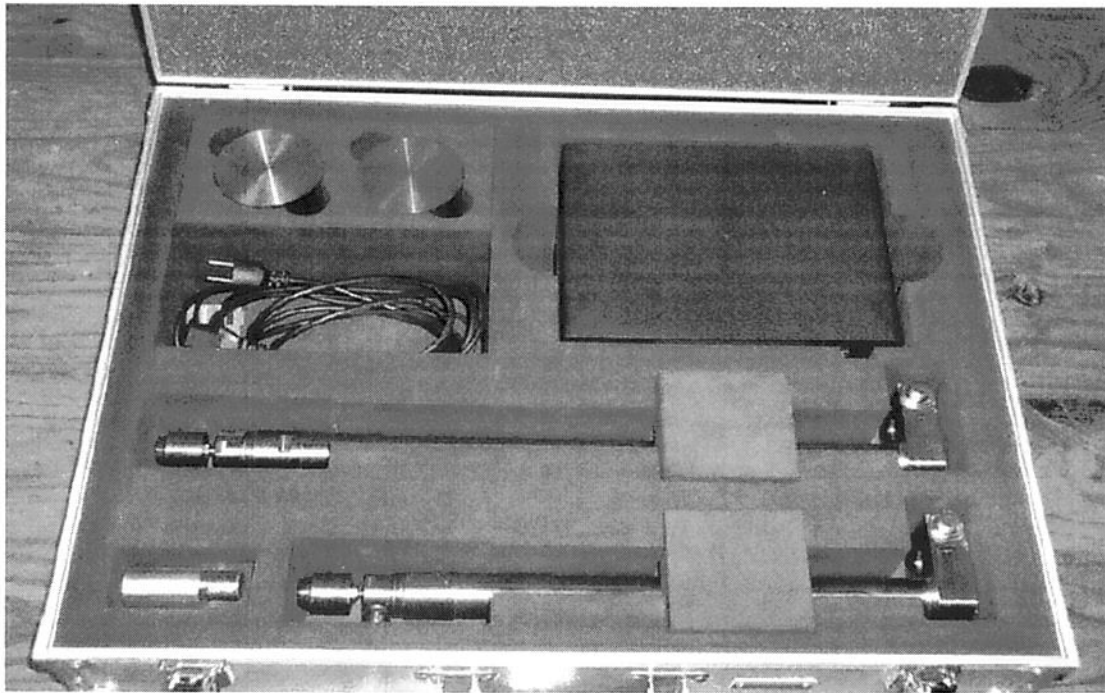


Figure 1.3 Fuse holder for 33 kV

กงมาตรฐานระบบไฟฟ้า ฝ่ายมาตรฐานและความปลอดภัย	การไฟฟ้าส่วนภูมิภาค	ใช้แทนแบบ..... ถูกแทนโดยแบบ.....
ผู้เขียน.....จุมพล แก้วยิ้ม..... ผู้สำรวจ..... วิศวกร.....จุมพล แก้วยิ้ม..... หัวหน้าแผนก.....	Dimension and pressure tests for the fuse holders	เขียนเสร็จวันที่..... แก่แบบวันที่..... มิติเป็น..... มาตรฐาน.....
ผู้อำนวยการกอง..... ผู้อำนวยการฝ่าย.....	Appendix II	แบบเลขที่ SA4-015/56005 แผ่นที่.....2.....ของจำนวน.....3.....แผ่น

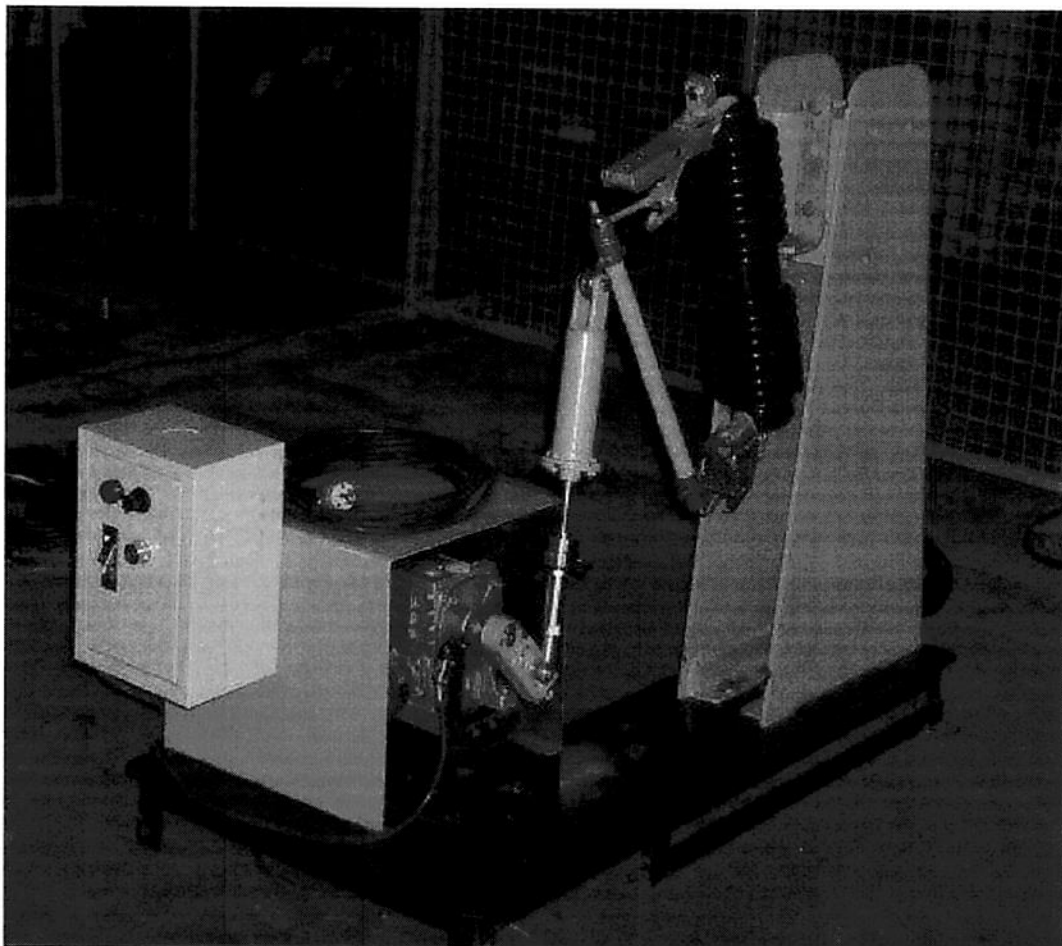


Fuse holder length measuring device



Fuse holder pressure measuring device

กงมาตรฐานระบบไฟฟ้า ฝ่ายมาตรฐานและความปลอดภัย	การไฟฟ้าส่วนภูมิภาค	ใช้แทนแบบ.....
ผู้เขียน...จุมพล แก้วยิ้ม..... ผู้สำรวจ..... วิศวกร...จุมพล แก้วยิ้ม..... หัวหน้าแผนก.....	Dimension and pressure tests for the fuse holders	ถูกแทนโดยแบบ..... เขียนเสร็จวันที่..... แก้มบวันที่..... มิติเป็น..... มาตรฐาน.....
ผู้อำนวยการกอง..... ผู้อำนวยการฝ่าย.....	Appendix II	แบบเลขที่ SA4-015/56005 แผ่นที่.....3.....ของจำนวน.....3.....แผ่น



Fuse cutout closing machine

กงมาตรฐานระบบไฟฟ้า ฝ่ายมาตรฐานและความปลอดภัย	การไฟฟ้าส่วนภูมิภาค	ใช้แทนแบบ..... ถูกแทนโดยแบบ.....
ผู้เขียน...จุมพล แก้วยิ้ม..... ผู้สำรวจ..... วิศวกร...จุมพล แก้วยิ้ม..... หัวหน้าแผนก.....	Mechanical strength (operation) test for the fuse cutouts	เขียนเสร็จวันที่..... แก้มบวันที่..... มิติเป็น..... มาตรฐาน.....
ผู้อำนวยการกอง..... ผู้อำนวยการฝ่าย.....	Appendix III	แบบเลขที่ SA4-015/56006 แผ่นที่.....1.....ของจำนวน.....1.....แผ่น



การไฟฟ้าส่วนภูมิภาค
PROVINCIAL ELECTRICITY AUTHORITY

PROVINCIAL ELECTRICITY AUTHORITY

TECHNICAL SPECIFICATION DIVISION

Specification No. RPRO-012/2556 : HIGH-VOLTAGE DISTRIBUTION FUSE CUTOUTS
AND FUSE LINKS

Page 1 of 1

C3 Schedule of detailed requirement

Item	PEA Material No.	Quantity	Description
1	1040010100	1,500 ชุด	<p>2.1____sets. Fuse cutout, with fuse holder having a solid cap, for 33 kV distribution system, with :</p> <p>Rated continuous current : 100 A</p> <p>Rated interrupting current at : not less than 5 kA, r.m.s. symmetrical, or X/R ratio of 15 not less than 8 kA, r.m.s. asymmetrical</p> <p>Complete with mounting bracket, and accessories.</p>

Invitation to Bid No. : PEA(S2)กบพ.012/2567

Specification No. : RPRO-012/2556

C3 Schedule of detailed requirement

Item	PEA Material No.	Quantity	Description
			<ol style="list-style-type: none">1. การไฟฟ้าส่วนภูมิภาคจะจัดซื้อพัสดุที่ผลิตภายในประเทศไทย2. กำหนดส่งมอบ 1 งวด ภายใน 60 วัน นับถัดจากวันลงนามในสัญญาซื้อ และภายในงวดสามารถทยอยการจัดส่งได้3. กำหนดสถานที่ส่งมอบพัสดุ คลังพัสดุ กฟจ.นครศรีธรรมราช การไฟฟ้าส่วนภูมิภาค เขต 2 (ภาคใต้) จังหวัดนครศรีธรรมราช4. ระบุข้อมูลตามแบบฟอร์มยื่นยื่นฐานแหล่งผลิต5. เกณฑ์การพิจารณาคัดเลือกข้อเสนอใช้เกณฑ์ราคาโดยพิจารณาราคารวม



การไฟฟ้าส่วนภูมิภาค
PROVINCIAL ELECTRICITY AUTHORITY

แบบฟอร์มยืนยันฐานแหล่งผลิต

1. รายละเอียดทั่วไป

อุปกรณ์ รุ่น

ผลิตภัณฑ์ ประเทศ

2. ฐานแหล่งผลิต(ให้ทำเครื่องหมาย ✓ หน้าฐานแหล่งผลิตของอุปกรณ์)

เป็นผลิตภัณฑ์ที่ผลิตในต่างประเทศ

เป็นผลิตภัณฑ์ที่ผลิตในประเทศไทย

กรณีที่เป็นผลิตภัณฑ์ที่ผลิตในประเทศไทย ผู้ยื่นข้อเสนอต้องแนบเอกสารเพื่อยืนยัน เช่น

- ใบอนุญาตแสดงเครื่องหมายมาตรฐานกับผลิตภัณฑ์อุตสาหกรรม (มอก.) หรือ ผลิตภัณฑ์ที่ได้รับการจดทะเบียนกับกระทรวงอุตสาหกรรม ...หรือ
- ใบรับรองระบบคุณภาพของกระบวนการผลิต ตามมาตรฐาน ISO 9001 ...หรือ
- ใบอนุญาตประกอบกิจการโรงงาน ร.ง. 4

หมายเหตุ: ผู้ยื่นข้อเสนอต้องดำเนินการแนบไฟล์แบบฟอร์มยืนยันฐานแหล่งผลิตมาในระบบจัดซื้อจัดจ้าง
ภาครัฐอิเล็กทรอนิกส์

ลงชื่อ

(.....)

ตำแหน่ง



PROVINCIAL ELECTRICITY AUTHORITY

TECHNICAL SPECIFICATION DIVISION

คุณสมบัติของสถาบันทดสอบ สำหรับการทดสอบเฉพาะแบบ (Type or Design tests)

Specification No. -

Approved date : 17/07/2561

Rev. No.: -

Form No. -

Page 1 of 2

เอกสารเพิ่มเติมแนบท้ายรายละเอียดสเปค

(ADDENDUM)

เอกสารเพิ่มเติม (ADDENDUM) นี้ ให้ถือเป็นส่วนหนึ่งของรายละเอียดสเปคที่เอกสารฯ นี้ได้แนบอยู่ด้วย

คุณสมบัติของสถาบันทดสอบ สำหรับการทดสอบเฉพาะแบบ (Type or Design tests)

หากรายละเอียดสเปคกำหนดรายชื่อ หรือคุณสมบัติของสถาบันทดสอบสำหรับการทดสอบเฉพาะแบบ ให้ใช้รายละเอียดคุณสมบัติดังต่อไปนี้ แทนการกำหนดรายชื่อ หรือคุณสมบัติของสถาบันทดสอบฯ ที่ได้กำหนดไว้ในรายละเอียดสเปค

All items of the type or design tests shall be conducted or inspected by the acknowledged testing laboratories/institutes as following:

- (1) Laboratories/institutes which are members of the Short-circuit Testing Liaison (STL) or independent laboratories/institutes which are accredited according to TIS 17025 or ISO/IEC 17025 with the scope of accreditation covered the relevant test items, standards and equipment. The certification and scope of accreditation of the independent laboratories/institutes shall be submitted with the bid for consideration.
- (2) Thailand's national laboratories, institutes, universities and electric utilities, as follows:
 - National Metal and Materials Technology Center (MTEC)
 - Electrical and Electronic Products Testing Center (PTEC)
 - Thai Industrial Standards Institute (TISI)
 - Electrical and Electronics Institute (EEI)
 - Department of Science Service (DSS)
 - Testing Laboratory, Electrical Engineering Department, Faculty of Engineering, Chulalongkorn University
 - Electricity Generating Authority of Thailand (EGAT)
 - Metropolitan Electricity Authority (MEA)
 - Provincial Electricity Authority (PEA)
 - Other laboratories, institutes, universities or electric utilities approved by PEA

In case of the foreign manufacturers have experience of more than twenty (20) years in design, manufacture and sell such the proposed equipment for using in equal to or higher than system voltages of the proposed equipment, PEA will accept type or design test reports conducted by the manufacturer's laboratory or other independent laboratories without qualification mentioned in (1) or (2). Documents showing the manufacturer's experience such as reference list shall be submitted with the bid for consideration.



PROVINCIAL ELECTRICITY AUTHORITY

TECHNICAL SPECIFICATION DIVISION

คุณสมบัติของสถาบันทดสอบ สำหรับการทดสอบเฉพาะแบบ (Type or Design tests)

Specification No. -

Approved date : 17/07/2561

Rev. No.: -

Form No. -

Page 2 of 2

The bidders or manufacturers who prefer to carry out the type or design tests of the proposed equipment by the laboratories or by the manufacturer themselves without the qualification mentioned above, the detail of the test facilities of the laboratories or the manufacturer shall be submitted to PEA for approval before proceeding the tests and before the bid closing date. PEA reserves the right to send representatives to inspect and witness the tests with the cost of the bidders or manufacturers.

The type or design test reports done by the laboratories in Thailand or local manufacturers shall be valid within five (5) years counted from the issued date in the test report to the bid closing date.



การไฟฟ้าส่วนภูมิภาค
PROVINCIAL ELECTRICITY AUTHORITY

PROVINCIAL ELECTRICITY AUTHORITY

TECHNICAL SPECIFICATION DIVISION

การกำหนดการส่งรายงานผลการทดสอบเฉพาะแบบ (Type test report) เพื่อประกอบการพิจารณาจัดหา

Specification No.: - Approved date: 17/07/2561 Rev. No.: - Form No.: - Page 1 of 1

เอกสารเพิ่มเติมแนบท้ายรายละเอียดสเปค (ADDENDUM)

เอกสารเพิ่มเติม (ADDENDUM) นี้ ให้ถือเป็นส่วนหนึ่งของรายละเอียดสเปคที่เอกสารฯ นี้ได้แนบอยู่ด้วย

การกำหนดการส่งรายงานผลการทดสอบเฉพาะแบบ (Type test report)

ผู้ยื่นข้อเสนอสามารถยื่นเอกสาร หรือหลักฐานอื่นเพื่อประกอบการพิจารณาจัดซื้อ จัดจ้าง หรือจ้างก่อสร้าง แทนการยื่นรายงานผลการทดสอบเฉพาะแบบ (Type test report) หรือหนังสือรับรองผลการทดสอบเฉพาะแบบ (Type test certificate) ได้ ดังนี้:

- (1) กรณีที่เป็นอุปกรณ์ที่การไฟฟ้าส่วนภูมิภาคสำนักงานใหญ่ โดยฝ่ายจัดหา หรือฝ่ายงานสถานีไฟฟ้า หรือฝ่ายงานระบบไฟฟ้า เคยรับไว้ใช้งานจากการจัดซื้อ จัดจ้าง หรืองานจ้างก่อสร้างแล้ว ผู้ยื่นข้อเสนอสามารถยื่นสำเนาหนังสือสั่งซื้อ/จ้าง (Purchase order) หรือสำเนาหนังสือสัญญาจ้างก่อสร้างพร้อมบัญชีแสดงปริมาณวัสดุ (Bill of Materials: BOQ) ที่ออกโดยการไฟฟ้าส่วนภูมิภาค แทนได้ หรือ
- (2) กรณีที่อุปกรณ์ที่เสนอได้รับการขึ้นทะเบียน และควบคุมคุณภาพผลิตภัณฑ์ (PEA Product Acceptance) แล้ว ผู้ยื่นข้อเสนอสามารถยื่นเอกสารรับรองการขึ้นทะเบียนฯ ที่ยังไม่หมดอายุในวันที่ยื่นเอกสาร แทนได้ หรือ
- (3) กรณีที่อุปกรณ์ที่เสนอราคาได้รับการขึ้นทะเบียนอุปกรณ์หลักในงานจ้างก่อสร้างสถานีไฟฟ้า (Product list) แล้ว ผู้ยื่นข้อเสนอสามารถยื่นเอกสารรับรองการขึ้นทะเบียนฯ ที่ยังไม่หมดอายุในวันที่ยื่นเอกสาร แทนได้

ทั้งนี้ เอกสาร หรือหลักฐานที่ระบุไว้ในข้อ (1) ข้อ (2) และข้อ (3) ดังกล่าวข้างต้น จะสามารถใช้แทนการยื่นรายงานผลการทดสอบเฉพาะแบบ (Type test report) หรือหนังสือรับรองผลการทดสอบเฉพาะแบบ (Type test certificate) ได้ ต้องเป็นเอกสาร หรือหลักฐานที่ตรวจสอบแล้วพบว่าเป็นของอุปกรณ์ที่เป็นผลิตภัณฑ์รุ่น และพิกัดเดียวกันกับอุปกรณ์ที่จัดซื้อ หรือจัดจ้าง หรือจ้างก่อสร้างในครั้งนี้



การไฟฟ้าส่วนภูมิภาค
PROVINCIAL ELECTRICITY AUTHORITY

PROVINCIAL ELECTRICITY AUTHORITY

TECHNICAL SPECIFICATION DIVISION

การกำหนดระยะเวลาในการส่งรายงานผลการทดสอบเฉพาะแบบ (Type test report)

และระยะเวลาในการจัดส่งตัวอย่างเพื่อประกอบการพิจารณาจัดหา

Specification No.: - Approved date: 21/12/2560 Rev. No.: - Form No.: - Page 1 of 1

เอกสารเพิ่มเติมแนบท้ายรายละเอียดสเปค (ADDENDUM)

เอกสารเพิ่มเติม (ADDENDUM) นี้ ให้ถือเป็นส่วนหนึ่งของรายละเอียดสเปคที่เอกสารฯ นี้ได้แนบอยู่ด้วย

1. การกำหนดระยะเวลาในการส่งรายงานผลการทดสอบเฉพาะแบบ (Type test report)

หากรายละเอียดสเปคกำหนดให้ผู้เสนอราคาจะต้องจัดส่งรายงานผลการทดสอบเฉพาะแบบ (Type test report) หรือหนังสือรับรองผลการทดสอบเฉพาะแบบ (Type test certificates) “ให้ผู้เสนอราคาจะต้องจัดส่งรายงานผลการทดสอบเฉพาะแบบ หรือหนังสือรับรองผลการทดสอบเฉพาะแบบมาพร้อมกับการยื่นเอกสารทางเทคนิค” แทนการกำหนดระยะเวลาจัดส่งรายงานฯ ที่ได้ระบุไว้ในรายละเอียดสเปค

ทั้งนี้ ยกเว้นบางพัสดุอุปกรณ์ที่ กฟภ. กำหนดยอมรับให้ทำการทดสอบเฉพาะแบบภายหลังจากที่ทำสัญญากับ กฟภ. แล้ว โดยคู่สัญญาจะต้องจัดส่งรายงานผลการทดสอบฯ ดังกล่าว ก่อนการส่งของนั้น ให้คงรายละเอียดไว้ตามเดิม

2. การกำหนดระยะเวลาในการจัดส่งตัวอย่าง (Sample) เพื่อประกอบการพิจารณาจัดหา

หากรายละเอียดสเปคกำหนดให้ผู้เสนอราคาจะต้องจัดส่งตัวอย่างพัสดุอุปกรณ์ (Sample) เพื่อประกอบการพิจารณาจัดหา “ให้ผู้เสนอราคาจะต้องจัดส่งตัวอย่างพัสดุอุปกรณ์ ภายใน 5 วันทำการ นับถัดจากวันเสนอราคา” แทนการกำหนดระยะเวลาจัดส่งตัวอย่างที่ได้ระบุไว้ในรายละเอียดสเปค

เงื่อนไขทั่วไปประกอบการจัดซื้อพัสดุ

ผู้ยื่นข้อเสนอ จะต้องปฏิบัติตามเงื่อนไขประกอบการจัดซื้อพัสดุดังนี้

ข้อ ๑ “ผู้ยื่นข้อเสนอจะต้องยื่นเอกสารทางเทคนิค เช่น แค็ตตาล็อก แบบรูป (Drawings) รายงานผลการทดสอบเฉพาะแบบ (Type test reports) หรือเอกสารอื่นๆ ตามที่ได้ระบุไว้ในรายละเอียดสเปค (Specification) ให้ครบถ้วนพร้อมกับการยื่นข้อเสนอ โดยเอกสารทางเทคนิคดังกล่าวจะต้องเป็นภาพสีเหมือนกับเอกสารต้นฉบับ และต้องเป็นภาษาไทยหรือภาษาอังกฤษเท่านั้น สำหรับเอกสารทางเทคนิคที่ผู้ยื่นข้อเสนอจะต้องกรอกรายละเอียดในแบบฟอร์มของ การไฟฟ้าส่วนภูมิภาค ให้ใช้วิธีการพิมพ์เท่านั้น การไฟฟ้าส่วนภูมิภาคขอสงวนสิทธิ์ที่จะไม่รับพิจารณาผู้ยื่นข้อเสนอที่ยื่นเอกสารทางเทคนิคไม่ครบถ้วน หรือไม่ปฏิบัติตามที่ระบุข้างต้น

ข้อ ๒ การไฟฟ้าส่วนภูมิภาค จะพิจารณาเฉพาะเอกสารทางเทคนิค เช่น แค็ตตาล็อก แบบรูป (Drawings) รายงานผลการทดสอบเฉพาะแบบ (Type test reports) หรือเอกสารอื่นๆ ที่ระบุผลิตภัณฑ์เป็นแบบ (Type) หรือเป็นรุ่น (Model) ที่ตรงกับที่ผู้ยื่นข้อเสนอระบุไว้ในรายการที่เสนอราคาเท่านั้น เว้นแต่รายละเอียดสเปค (Specification) ระบุความต้องการเอกสารทางเทคนิคไว้เป็นอย่างอื่น

ข้อ ๓ สำหรับพัสดุอุปกรณ์ที่ การไฟฟ้าส่วนภูมิภาค กำหนดให้ใช้เกณฑ์ราคาประกอบเกณฑ์อื่น (Price-performance) ในการพิจารณาจัดซื้อ ผู้ยื่นข้อเสนอที่ยื่นผลิตภัณฑ์ที่มีคุณสมบัติเป็นไปตามเกณฑ์อื่นในแต่ละรายการ และมีความประสงค์ที่จะให้ การไฟฟ้าส่วนภูมิภาค คิดคะแนนในส่วนของเกณฑ์อื่นดังกล่าวเพื่อประกอบการพิจารณาจัดซื้อนั้น ผู้ยื่นข้อเสนอจะต้องยื่นเอกสารแสดงคุณสมบัติในแต่ละเกณฑ์ให้ถูกต้อง และครบถ้วนมาพร้อมกับการยื่นข้อเสนอ หากการไฟฟ้าส่วนภูมิภาคตรวจสอบแล้วพบว่าเอกสารแสดงคุณสมบัติดังกล่าวไม่ถูกต้อง หรือไม่ครบถ้วน การไฟฟ้าส่วนภูมิภาค ขอสงวนสิทธิ์ที่จะพิจารณาไม่ให้คะแนนในแต่ละเกณฑ์นั้นๆ

ทั้งนี้รายการพัสดุอุปกรณ์ที่การไฟฟ้าส่วนภูมิภาคกำหนดให้ใช้เกณฑ์ราคาประกอบเกณฑ์อื่นในการพิจารณาจัดซื้อ รวมถึงสัดส่วนการคิดคะแนนระหว่างเกณฑ์ราคา และเกณฑ์อื่นจะถูกกำหนดไว้ในเอกสารที่เกี่ยวข้อง”

ข้อ ๔ กรณีการจัดซื้ออุปกรณ์ไฟฟ้าหลักสำหรับติดตั้งใช้งานในระบบสายส่ง 115 KV และระบบจำหน่าย 22 KV และ 33 KV อันได้แก่ หม้อแปลงไฟฟ้า รีโกลสเซอร์ เซอร์กิตเบรกเกอร์ อุปกรณ์ป้องกัน สวิตช์ อุปกรณ์ตัดตอน ลูกถ้วยไฟฟ้า สายไฟฟ้า หม้อแปลงกระแส (Current transformers) หม้อแปลงแรงดัน (Voltage transformers) รวมถึง มิเตอร์สำหรับวัดพลังงานไฟฟ้า การไฟฟ้าส่วนภูมิภาคขอสงวนสิทธิ์ที่จะส่งเจ้าหน้าที่ของการไฟฟ้าส่วนภูมิภาค หรือผู้แทนที่ได้รับการแต่งตั้งจากการไฟฟ้าส่วนภูมิภาคเข้าไปตรวจสอบกระบวนการผลิตและการควบคุมคุณภาพ ณ โรงงานผู้ผลิตก่อนการส่งมอบ โดยการไฟฟ้าส่วนภูมิภาคจะเป็นผู้ออกค่าใช้จ่ายในการเดินทาง และเบี้ยเลี้ยงของเจ้าหน้าที่ฯ หรือค่าจ้างผู้แทนฯ เท่านั้น

ข้อ ๕ การจัดซื้อหม้อแปลงไฟฟ้าสำหรับระบบจำหน่าย ผู้ที่ได้รับการสั่งซื้อต้องยินยอมให้ การไฟฟ้าส่วนภูมิภาค หรือผู้แทนที่ได้รับการแต่งตั้งจากการไฟฟ้าส่วนภูมิภาคเข้าไปตรวจสอบกระบวนการผลิต การควบคุมคุณภาพ และการทดสอบ ณ โรงงานผู้ผลิตก่อนการส่งมอบ โดยมีรายละเอียดและขั้นตอนที่ผู้ได้รับการสั่งซื้อต้องปฏิบัติตามเอกสารแนบจำนวน ๒ แผ่น โดยการไฟฟ้าส่วนภูมิภาคจะเป็นผู้ออกค่าใช้จ่ายในการเดินทาง และเบี้ยเลี้ยงของเจ้าหน้าที่ฯ หรือค่าจ้างผู้แทนฯ เท่านั้น

ข้อ ๖ กรณีพัสดุที่จะจัดซื้อเป็นรายการที่ ได้รับการรับรองตามกระบวนการ PEA Product Acceptance การไฟฟ้าส่วนภูมิภาคจะดำเนินการดังนี้

๖.๑ ในการพิจารณาทางเทคนิค หากผู้ยื่นข้อเสนอ เสนอผลิตภัณฑ์ที่ได้รับการรับรองตาม กระบวนการ PEA Product Acceptance ที่ยังไม่หมดอายุการรับรอง ให้แนบใบรับรองฯ ของการไฟฟ้าส่วน ภูมิภาค พร้อมเอกสารประกอบการเสนอราคา โดยไม่ต้องยื่นเอกสารทางเทคนิคอื่นๆ และคณะกรรมการ พิจารณาผลฯ ไม่ต้องพิจารณาเอกสารทางเทคนิค โดยให้ยึดตามใบรับรองฯ เท่านั้น

๖.๒ ในขั้นตอนการตรวจรับพัสดุที่จัดซื้อ หากพัสดुरายการใดเป็นพัสดุที่ไม่ได้รับการรับรอง ตามกระบวนการ PEA Product Acceptance ให้คณะกรรมการตรวจรับฯ ดำเนินการตรวจรับพัสดุดังกล่าว ตามขั้นตอน และวิธีการตรวจรับพัสดุของ การไฟฟ้าส่วนภูมิภาคที่บังคับใช้อยู่ ณ ปัจจุบัน

ทั้งนี้ หากพัสดुरายการใดได้รับการรับรองตามกระบวนการ PEA Product Acceptance ที่ยังไม่หมดอายุ การรับรองให้คณะกรรมการตรวจรับฯ ใช้เอกสารผลการทดสอบคุณภาพผลิตภัณฑ์จากผู้ผลิต และ Product DNA (เอกสารที่ช่วยในการตรวจสอบและคัดกรองผลิตภัณฑ์ในเบื้องต้น ซึ่งประกอบด้วยข้อมูล Type test และ รูปภาพส่วนประกอบต่างๆ ของผลิตภัณฑ์) เพื่อประกอบการตรวจรับพัสดุดังกล่าว โดยไม่ต้องสุ่มทดสอบอีก

๖.๓ ผู้ชนะการเสนอราคา หรือ คู่สัญญา จะต้องยื่นเอกสารแผนการผลิตและการควบคุม คุณภาพการผลิตให้ การไฟฟ้าส่วนภูมิภาค ซึ่งการไฟฟ้าส่วนภูมิภาคขอสงวนสิทธิ์ในการเข้าตรวจสอบในขั้นตอน การผลิต (In Process) หรือให้ผู้แทน รวมถึงหน่วยตรวจประเมินที่การไฟฟ้าส่วนภูมิภาค ให้การรับรองเข้า ดำเนินการดังกล่าว โดยค่าใช้จ่ายที่เกิดขึ้นเป็นของการไฟฟ้าส่วนภูมิภาค หากต้องการตรวจสอบซ้ำเนื่องจาก การตรวจสอบครั้งแรกไม่เป็นไปตามเงื่อนไข หรือหลักเกณฑ์ที่ การไฟฟ้าส่วนภูมิภาคกำหนด ผู้ชนะการเสนอ ราคา หรือ คู่สัญญาต้องเป็นผู้รับผิดชอบค่าใช้จ่ายที่เกิดขึ้นทั้งหมด

ข้อ ๗ กรณีผู้ยื่นข้อเสนอ เสนอผลิตภัณฑ์ที่เป็นเซอร์กิตเบรกเกอร์ สวิตช์ และอุปกรณ์ตัดตอนในระบบ จำหน่าย ผู้ยื่นข้อเสนอจะต้องดำเนินการ ดังนี้

๗.๑ เซอร์กิตเบรกเกอร์ ที่จะจัดซื้อตั้งแต่ระบบ 22 kV ขึ้นไป จะต้องมีความสมบัติเป็นไปตาม รายละเอียดสเปค (Specifications) ของการไฟฟ้าส่วนภูมิภาค และต้องมีคุณสมบัติข้อใดข้อหนึ่ง ดังนี้

๗.๑.๑ ผลิตโดยผู้ผลิตที่มีประสบการณ์ในการผลิตอุปกรณ์ประเภทดังกล่าวมาแล้ว ไม่น้อยกว่า ๓ ปี และต้องเคยติดตั้งใช้งานโดยไม่มีปัญหาในสถานีไฟฟ้าของภาครัฐ และหรือเอกชนในประเทศที่ เชื่อถือได้ มาแล้วไม่น้อยกว่า ๑ แห่ง โดยกรณีนี้ ผู้ยื่นข้อเสนอ จะต้องยื่นเอกสารแสดงประวัติการขาย (Reference List) หรือ หนังสือรับรองจากลูกค้า มาพร้อมกับการยื่นข้อเสนอ หรือ

๗.๑.๒ เป็นผลิตภัณฑ์ที่ผ่านการขึ้นทะเบียนกับการไฟฟ้าส่วนภูมิภาคแล้ว ได้แก่ การ ขึ้นทะเบียน PEA Product Acceptance หรือ PEA Product list หรือการขึ้นทะเบียนอื่นๆ ที่ การไฟฟ้าส่วน ภูมิภาคกำหนด โดยกรณีนี้ ผู้ยื่นข้อเสนอ จะต้องยื่นหนังสือรับรองการขึ้นทะเบียนที่ ยังไม่หมดอายุ มาพร้อมกับการ ยื่นข้อเสนอ หรือ

๗.๑.๓ เป็นผลิตภัณฑ์ที่ผ่านการทดลองติดตั้งใช้งานในระบบของการไฟฟ้าส่วน ภูมิภาคสำนักงานใหญ่แล้ว โดยกรณีนี้ ผู้ยื่นข้อเสนอจะต้องยื่นเอกสารรับรองการผ่านการทดลองติดตั้งใช้งาน จากการไฟฟ้าส่วนภูมิภาค มาพร้อมกับการยื่นข้อเสนอ

๗.๒ สวิตช์ และอุปกรณ์ตัดตอนในระบบจำหน่ายที่จะจัดซื้อ ตั้งแต่ระบบ 22 kV ขึ้นไป อันได้แก่ Dropout fuse cutout, Disconnecting switches, Air break switches, Remote controlled switches (SF₆, gas load break switches). Automatic switching equipment for switching power capacitor bank และ Recloser จะต้องมีความสมบัติเป็นไปตามรายละเอียดสเปค (Specifications) ของการไฟฟ้าส่วนภูมิภาค และต้องมีคุณสมบัติข้อใดข้อหนึ่ง ดังนี้

๗.๒.๑ ผลิตโดยผู้ผลิตที่มีประสบการณ์ในการผลิตอุปกรณ์ประเภทดังกล่าวมาแล้ว ไม่น้อยกว่า ๓ ปี และต้องเคยติดตั้งใช้งานในระบบจำหน่ายมาแล้วไม่น้อยกว่า ๔๐๐ ชุด โดยกรณีนี้ ผู้ยื่นข้อเสนอ จะต้องยื่นเอกสารแสดงประวัติการขาย (Reference List) หรือ หนังสือรับรองจากลูกค้า มาพร้อมกับการยื่นข้อเสนอ หรือ

๗.๒.๒ เป็นผลิตภัณฑ์ที่ผ่านการขึ้นทะเบียนกับการไฟฟ้าส่วนภูมิภาคแล้ว ได้แก่ การขึ้นทะเบียน PEA Product Acceptance หรือ PEA Product List หรือการขึ้นทะเบียนอื่นๆ ที่การไฟฟ้าส่วนภูมิภาคกำหนด โดยกรณีนี้ ผู้ยื่นข้อเสนอ จะต้องยื่นหนังสือรับรองการขึ้นทะเบียนที่ยังไม่หมดอายุ มาพร้อมกับการยื่นข้อเสนอ หรือ

๗.๒.๓ เป็นผลิตภัณฑ์ที่ผ่านการทดลองติดตั้งใช้งานในระบบของการไฟฟ้าส่วนภูมิภาคสำนักงานใหญ่แล้ว โดยกรณีนี้ ผู้ยื่นข้อเสนอจะต้องยื่นเอกสารรับรองการผ่านการทดลองติดตั้งใช้งานจากการไฟฟ้าส่วนภูมิภาคมาพร้อมกับการยื่นข้อเสนอ

๗.๓ ผู้ยื่นข้อเสนอสามารถเสนอขายเซอร์กิตเบรกเกอร์ สวิตช์หรืออุปกรณ์ตัดตอนในระบบจำหน่าย จากผู้ผลิตที่ไม่มีคุณสมบัติตามที่ระบุไว้ในข้อ ๗.๑ หรือ ๗.๒ ดังกล่าวได้ แต่ต้องเป็นผู้ที่ผลิตภายใต้ใบอนุญาต (License) และจะต้องประทับตราเครื่องหมายการค้า (Brand-Name or Trade-mark) เดิมของผู้ให้ใบอนุญาตบนพัสดุ โดยผู้ให้ใบอนุญาต (Licensor) จะต้องมีคุณสมบัติตามข้อ ๗.๑.๑ หรือ ๗.๒.๑ แล้วแต่กรณี

โดยกรณีนี้ผู้ผลิตภายใต้ใบอนุญาตจะต้องทำการทดสอบเฉพาะแบบ (Design or Type tests) เซอร์กิตเบรกเกอร์ สวิตช์ หรืออุปกรณ์ตัดตอนในระบบจำหน่ายตามมาตรฐานที่กำหนดไว้ในรายละเอียดสเปค (Specification) ใหม่ทั้งหมด

ทั้งนี้ ผู้ยื่นข้อเสนอต้องยื่นใบอนุญาต (License) ที่ยังไม่หมดอายุ มาพร้อมกับเอกสารแสดงประวัติการขาย (Reference List) หรือ หนังสือรับรองจากลูกค้า ของผู้ให้ใบอนุญาต (Licensor) มาพร้อมกับการยื่นข้อเสนอ

๗.๔ หากผู้ยื่นข้อเสนอ เสนอรายละเอียดไม่เป็นไปตามข้อ ๗.๑,๗.๒ และ ๗.๓ ข้างต้น การไฟฟ้าส่วนภูมิภาคสงวนสิทธิ์ที่จะไม่จัดซื้อ

ข้อ ๘ กรณีที่อุปกรณ์ไฟฟ้าหลักสำหรับติดตั้งใช้งานในระบบสายส่ง 115 kV และระบบจำหน่าย 22 kV และ 33 kV อันได้แก่ หม้อแปลงไฟฟ้า ไรคลอสเซอร์ เซอร์กิตเบรกเกอร์ อุปกรณ์ป้องกัน สวิตช์ อุปกรณ์ตัดตอน ลูกถ้วยไฟฟ้า สายไฟฟ้า หม้อแปลงกระแส (Current transformers) หม้อแปลงแรงดัน (Voltage transformers) รวมถึงมิเตอร์งานหมุนชนิด ๑ เฟส และ ๓ เฟสสำหรับวัดพลังงานไฟฟ้า ผลิตภัณฑ์ใดก็ตามที่การไฟฟ้าส่วนภูมิภาค จัดซื้อในแต่ละสัญญา และติดตั้งใช้งานภายในระยะเวลา ๒ ปี นับจากวันที่ การไฟฟ้าส่วนภูมิภาค มีหนังสือแจ้งผลการตรวจรับงวดสุดท้าย หรือภายในระยะเวลาอื่นตามที่รายละเอียดสเปค (Specification) กำหนด มีสถิติการชำรุดอันเนื่องมาจากคุณภาพของผลิตภัณฑ์ เกินกว่าเกณฑ์ที่กำหนดไว้ในรายละเอียดสเปค (Specification) หรือกำหนดไว้ในเงื่อนไขอื่นๆ ในขอบเขตของงาน (TOR) หรือกำหนดไว้ในสัญญาจัดซื้อ การไฟฟ้าส่วนภูมิภาคจะตัดสิทธิการเสนอราคาผลิตภัณฑ์ดังกล่าว และจะไม่จัดซื้อเป็นการชั่วคราวทั้งในระหว่างการพิจารณาจัดซื้อ และที่จะประกาศจัดซื้อใหม่จนกว่าผู้ผลิตหรือ ผู้แทนจำหน่ายผลิตภัณฑ์นั้นๆ จะส่งแผนการปรับปรุงคุณภาพผลิตภัณฑ์ และดำเนินการแก้ไขให้เป็นที่ยอมรับจาก การไฟฟ้าส่วนภูมิภาคแล้ว

และต้องพันกำหนดระยะเวลา ๖ เดือน นับจากวันที่ การไฟฟ้าส่วนภูมิภาค มีหนังสือแจ้งตัดสิทธิการเสนอราคา
ผลิตภัณฑ์ดังกล่าวด้วย

ทั้งนี้ เงื่อนไขดังกล่าวจะไม่มีผลใช้บังคับย้อนหลังไปถึงการจัดซื้อที่ยังไม่มีเงื่อนไขกำหนดไว้

ข้อ ๙ ผู้ชนะการเสนอราคาจะต้องแจ้งกำหนดวันส่งมอบพัสดุเป็นลายลักษณ์อักษรให้หน่วยงานจัดซื้อ
และ/หรือ หน่วยงานที่จัดซื้อของการไฟฟ้าส่วนภูมิภาคทราบล่วงหน้าไม่น้อยกว่า ๓ วันทำการ เพื่อที่จะได้
กำหนดนัดวันตรวจรับต่อไปและจะต้องส่งมอบพัสดุระหว่างเวลา ๐๘.๓๐ น. ถึง ๑๒.๐๐ น. ของวันที่ทำการ
ส่งมอบด้วย

ข้อ ๑๐ การตรวจสอบสภาพด้านทานของสายอลูมิเนียมหุ้มฉนวน การไฟฟ้าส่วนภูมิภาค
ได้กำหนดแนวปฏิบัติ สำหรับการทดสอบสภาพด้านทานของสายอลูมิเนียมตีเกลียวหุ้มฉนวน ตาม มอก. ๒๕๓
ฉบับล่าสุด ดังนี้

๑๐.๑ การชักตัวอย่าง

คณะกรรมการตรวจรับการไฟฟ้าส่วนภูมิภาคจะสุ่มตัวอย่างสายไฟฟ้าที่ผลิตเสร็จเรียบร้อยแล้ว
(ตีเกลียวและหุ้มฉนวนแล้ว) และนำตัวอย่างมาทดสอบคุณสมบัติต่างๆ รวมทั้งการทดสอบสภาพด้านทานของ
สายไฟฟ้าด้วย ตามที่การไฟฟ้าส่วนภูมิภาคกำหนด

๑๐.๒ วิธีการทดสอบสภาพด้านทาน วิธีการทดสอบสภาพด้านทานเป็นไปตาม มอก. ๘๕ ฉบับ
ล่าสุด โดยนำเฉพาะลวดตัวนำเส้นกลางมาหาค่าสภาพด้านทาน โดยวัดความต้านทานที่ อุณหภูมิห้อง แล้วปรับ
เป็นค่าที่อุณหภูมิ ๒๐ องศาเซลเซียส โดยวิธีการตาม มอก.กำหนด เพื่อนำไปคำนวณค่าสภาพด้านทานต่อไป

๑๐.๓ เกณฑ์ตัดสิน สายลวดอลูมิเนียมตีเกลียวจะถือว่าผ่านการทดสอบนี้ เมื่อมีค่าสภาพ
ด้านทานไม่เกิน ค่าตามที่ มอก.๒๕๓ ฉบับล่าสุดกำหนดไว้

ข้อ ๑๑ พักติที่การไฟฟ้าส่วนภูมิภาคกำหนดให้มีการทดสอบเพื่อการตรวจรับในหัวข้อที่เป็นการ
ทดสอบแบบทำลาย จนพัสดุไม่สามารถนำกลับมาใช้งานได้ คู่สัญญาจะต้องนำพัสดุใหม่มาทดแทนเพื่อให้ครบ
จำนวนตามที่ระบุไว้ในสัญญาก่อนการไฟฟ้าส่วนภูมิภาครับมอบพัสดุไว้ใช้งาน โดยการไฟฟ้าส่วนภูมิภาคจะมี
หนังสือแจ้งให้ส่งของมาทดแทน ภายใน ๕ วันทำการนับจากวันที่ได้รับหนังสือแจ้ง หากคู่สัญญาไม่นำมา
ทดแทนภายในเวลาที่กำหนด การไฟฟ้าส่วนภูมิภาคจะคิดค่าปรับกรณีส่งของล่าช้าในอัตราร้อยละ ๐.๒๐ ของ
มูลค่าพัสดุที่นำมาทดแทน และผู้ขายต้องรับพัสดุที่ทดสอบแล้วชำระคืนกลับไป ภายใน ๓๐ วัน หลังจากได้นำ
พัสดุมาทดแทนให้การไฟฟ้าส่วนภูมิภาคแล้ว หากผู้ขายไม่ประสงค์จะรับพัสดุนั้นให้ทำหนังสือแจ้งการไฟฟ้าส่วน
ภูมิภาคทราบเพื่อที่จะดำเนินการต่อไป

ข้อ ๑๒ การชำระราคาพัสดุที่ตกลงซื้อขายกันการไฟฟ้าส่วนภูมิภาคจะชำระภายในเวลา ๓๐ วัน
นับถัดจากวันที่การไฟฟ้าส่วนภูมิภาคได้ทำการตรวจรับพัสดุที่คู่สัญญาส่งมอบถูกต้องเรียบร้อยแล้วในแต่ละงวด
และห้ามคู่สัญญาโอนสิทธิเรียกร้องการรับเงินให้กับบุคคลภายนอก

ข้อ ๑๓ ผู้ชนะการเสนอราคาจะต้องรับประกันความชำรุดบกพร่องอันเนื่องมาจากการใช้งานตามปกติ
ของพัสดุเป็นเวลาไม่น้อยกว่า ๑ ปี นับถัดจากวันที่การไฟฟ้าส่วนภูมิภาคได้รับมอบแล้ว เว้นแต่

๑๓.๑ ปูนซีเมนต์ปอร์ตแลนด์ประเภทเกิดแรงสูงเร็ว ต้องรับประกันคุณภาพเป็นเวลา
ไม่น้อยกว่า ๓๐ วัน นับถัดจากวันที่การไฟฟ้าส่วนภูมิภาคได้รับมอบแล้ว

๑๓.๒ พักติประเภทดังต่อไปนี้ต้องรับประกันคุณภาพเป็นเวลาไม่น้อยกว่า ๓ ปี เว้น
แต่รายละเอียดสเปค (Specification) กำหนดระยะเวลารับประกันคุณภาพไว้มากกว่า ๓ ปี นับถัดจากวันที่การ
ไฟฟ้าส่วนภูมิภาคได้รับมอบแล้ว ให้ถือระยะเวลารับประกันคุณภาพที่กำหนดไว้ในรายละเอียดสเปค

-On-load tap-changing power transformers for 115 kV
subtransmission substation

- Three-phase automatic voltage regulators (AVR) for 22 kV and 33 kV 50 Hz distribution System
- Single-phase and Three-phase transformers for 22 kV and 33 kV 50 Hz distribution system with and without ability to withstand short circuit
- Remote controlled switches for 22 kV and 33 kV 50 Hz distribution system
- Solid dielectric three-phase automatic reclosers for 22 kV and 33 kV 50 Hz distribution System
- Automatic switching equipment for HV power capacitor Bank
- Single-phase and Three-phase electromechanical and electronic energy meters

๑๓.๓ พัดลมที่จะจัดซื้อเป็น Porcelain cable spacer with grip locks and High-Density Polyethylene (HDPE) cable spacers and snap-tie ต้องรับประกันคุณภาพเป็นเวลาไม่น้อยกว่า ๕ ปี นับตั้งแต่วันที่การไฟฟ้าส่วนภูมิภาคได้รับมอบแล้ว

ถ้าพัดลมเกิดความบกพร่องเนื่องจากวัสดุและหรือฝีมือไม่ดี ต้องรีบจัดการแก้ไขหรือเปลี่ยนใหม่ให้เรียบร้อยโดยไม่คิดมูลค่า ภายใน ๓๐ วัน นับตั้งแต่วันที่ได้รับแจ้งจากการไฟฟ้าส่วนภูมิภาค และหากความบกพร่องดังกล่าวเป็นเหตุให้เกิดความเสียหายหรือเกิดอุบัติเหตุใดๆขึ้น ผู้ชนะการเสนอราคาจะต้องรับผิดชอบใช้ค่าเสียหายทั้งหมด ตามข้อกำหนดทั่วไป และ/หรือรายละเอียดสเปค (Specification) จะกำหนดไว้ โดยไม่มีข้อโต้แย้งใดๆ

ในกรณีที่ผู้ชนะการเสนอการรับพัดลมไปแก้ไข หรือการไฟฟ้าส่วนภูมิภาคส่งมอบพัดลมให้ผู้ชนะการเสนอราคาไปดำเนินการแก้ไข และผู้ชนะการเสนอการส่งมอบพัดลมที่แก้ไขแล้วคืนเกินกำหนดเวลา ๓๐ วัน ผู้ชนะการเสนอราคาต้องขยายกำหนดเวลารับประกันความชำรุดบกพร่องเท่ากับจำนวนวันที่เกินจากกำหนด ๓๐ วัน โดยนับต่อจากวันครบกำหนดเวลารับประกันเดิม สำหรับกรณีที่แก้ไขแล้วเสร็จพ้นกำหนดเวลารับประกัน ให้ขยายกำหนดตามจำนวนวันที่เกินจากกำหนด ๓๐ วัน โดยนับต่อจากวันส่งมอบพัดลมที่แก้ไขเสร็จเรียบร้อย แล้วแต่กรณี และยอมให้การไฟฟ้าส่วนภูมิภาคปรับเป็นรายวันในอัตรา ร้อยละ ๐.๐๕๑๐๙ ของราคาพัสดุรวมภาษีมูลค่าเพิ่ม ที่แก้ไขเกินกำหนด

ข้อ ๑๔ โครงการจัดซื้อจัดจ้างที่มีวงเงินตั้งแต่ ๕๐๐ ล้านบาทขึ้นไป รวมถึงการจัดซื้อจัดจ้างแบบเป็นกลุ่มประกวดราคา (Bid Group) ที่มีวงเงินตั้งแต่ ๕๐๐ ล้านบาทขึ้นไป (ตามประกาศคณะกรรมการความร่วมมือป้องกันการทุจริต เรื่อง มาตรฐานขั้นต่ำของนโยบายและแนวทางป้องกันการทุจริตในการจัดซื้อจัดจ้างที่ผู้ประกอบการ ต้องจัดให้มี ตามมาตรา ๑๙ แห่งพระราชบัญญัติการจัดซื้อจัดจ้างและการบริหารพัสดุภาครัฐ พ.ศ. ๒๕๖๐) ผู้เข้าร่วมการเสนอราคาจะต้องมีนโยบายและแนวทางการป้องกันการทุจริตในการจัดซื้อจัดจ้าง พร้อมทั้ง ต้องแนบเอกสารหลักฐาน และแบบตรวจสอบข้อมูลของผู้ประกอบการที่จะเข้าร่วมการเสนอราคาในโครงการที่มีวงเงินตั้งแต่ ๕๐๐ ล้านบาทขึ้นไป ประกอบเป็นเอกสารการเสนอราคา โดยผู้ประกอบการจะต้องมีการดำเนินการตามแบบตรวจสอบข้อมูลครบถ้วนทุกข้อจึงจะผ่านการพิจารณาคุณสมบัติของผู้เสนอราคา

ทั้งนี้เงื่อนไขตามข้อ ๑๔ ดังกล่าวจะเริ่มใช้ตั้งแต่วันที่ ๕ กุมภาพันธ์ ๒๕๖๒ เป็นต้นไป

ข้อ ๑๕ โครงการจัดซื้อจัดจ้างที่มีวงเงินตั้งแต่ ๑,๐๐๐ ล้านบาทขึ้นไป จะต้องดำเนินการตามประกาศคณะกรรมการความร่วมมือป้องกันการทุจริต (ค.ป.ท.) เรื่องแนวทางและวิธีการในการดำเนินงานโครงการความร่วมมือป้องกันการทุจริตในการจัดซื้อจัดจ้างภาครัฐ แบบของข้อตกลงคุณธรรม การคัดเลือกผู้สังเกตการณ์ และการจัดทำรายงานตามมาตรา ๑๗ และ มาตรา ๑๘ แห่งพระราชบัญญัติการจัดซื้อจัดจ้างและการบริหารพัสดุภาครัฐ พ.ศ. ๒๕๖๐ และได้รับ คัดเลือก จากคณะกรรมการความร่วมมือป้องกันการทุจริต (ค.ป.ท.) ให้จัดทำข้อตกลงคุณธรรม (integrity pact :IP)

ผู้ประสงค์จะเข้าร่วมการเสนอราคาในโครงการจัดทำข้อตกลงคุณธรรมจะต้องลงนามในข้อตกลงคุณธรรมซึ่งเป็นเอกสารที่ยื่นพร้อมกับเอกสารเสนอราคา หากไม่ลงนามในข้อตกลงคุณธรรมจะไม่มีสิทธิเข้าร่วมการเสนอราคาในโครงการนั้น

เงื่อนไขการเรียกเก็บค่าบริการทดสอบประกอบการจัดซื้อพัสดุ (เพิ่มเติม)

ในกรณีพัสดุที่การไฟฟ้าส่วนภูมิภาค (กฟภ.) จัดซื้อได้มีการกำหนดให้มีการทดสอบ กฟภ. สงวนสิทธิ์ที่จะเรียกเก็บค่าบริการทดสอบกับผู้ยื่นข้อเสนอ/คู่สัญญา โดย กฟภ. จะเรียกเก็บค่าบริการทดสอบ ดังนี้

1) งานให้บริการทดสอบเพื่อประกอบการพิจารณาผลการจัดซื้อ งานให้บริการทดสอบเพื่อตรวจรับงานให้บริการทดสอบอุปกรณ์/พัสดุในโครงการจ้างเหมาก่อสร้างระบบไฟฟ้า งานให้บริการทดสอบเพื่อตรวจสอบและรับรองคุณภาพของผลิตภัณฑ์ และงานให้บริการทดสอบอื่นๆ ให้คิดค่าบริการทดสอบตามอัตราที่ กฟภ. กำหนดไว้

2) สำหรับการทดสอบอุปกรณ์/พัสดุ มีการคิดค่าบริการแบ่งเป็น 2 ลักษณะ ดังนี้

2.1 การทดสอบโดยหน่วยงานทดสอบของ กฟภ. จะดำเนินการคิดค่าบริการทดสอบตามอัตราที่ กฟภ. กำหนดไว้

2.2 การทดสอบโดยหน่วยทดสอบเครือข่ายหรือหน่วยทดสอบภายนอกที่ กฟภ. ยอมรับ หากมีเจ้าหน้าที่จาก กฟภ. เข้าร่วมเป็นสักขีพยานในการทดสอบ (Witness test) จะดำเนินการคิดค่าดำเนินการให้บริการในอัตรา 3,000 บาท/งาน/วัน (ไม่รวมภาษีมูลค่าเพิ่ม) และหากมีการใช้รถยนต์หรือยานพาหนะของ กฟภ. ในการเดินทางไปเข้าร่วมเป็นสักขีพยานในการทดสอบดังกล่าว จะมีการคิดค่าบริการเพิ่มขึ้นตามประเภทของรถยนต์ที่ใช้ในการเดินทางตามอัตราที่ กฟภ. กำหนดไว้

ทั้งนี้ กฟภ. จะเรียกเก็บค่าบริการทดสอบรวมข้อ 2.1 และ 2.2 ไม่เกินร้อยละ 10 ของมูลค่ารวมการจัดซื้อจัดจ้างในแต่ละรายการที่ส่งทดสอบ (ไม่รวมภาษีมูลค่าเพิ่ม) หากการขอรับบริการทดสอบใดไม่กำหนดมูลค่าการจัดซื้อจัดจ้างในแต่ละรายการที่ส่งทดสอบ กฟภ. ขอสงวนสิทธิ์คิดค่าบริการทดสอบตามอัตราที่ กฟภ. กำหนดไว้ตามค่าใช้จ่ายที่เกิดขึ้นจากการทดสอบจริงทั้งหมด

ในกรณีที่ผู้ยื่นข้อเสนอ/คู่สัญญา ไม่ส่งมอบหลักฐานการชำระค่าบริการทดสอบอุปกรณ์/พัสดุ หน่วยงานทดสอบของ กฟภ. มีสิทธิบอกเลิกการขอรับบริการทดสอบในครั้งนั้นๆ

ทั้งนี้ สามารถตรวจสอบได้ที่ www.pea.co.th -> ข่าวสารประกาศ -> หัวข้อ “อัตราค่าบริการทดสอบอุปกรณ์” และสามารถตรวจสอบรายการพัสดุพร้อมทั้งหัวข้อการทดสอบ เพื่อประกอบการพิจารณาผลการจัดซื้อ หรือ เพื่อการตรวจรับที่จะเรียกเก็บค่าบริการทดสอบ ได้ที่ <http://surl.li/ljfxg> หรือ QR code ด้านล่างนี้

