



PROVINCIAL ELECTRICITY AUTHORITY
TECHNICAL SPECIFICATION DIVISION

SUSPENSION CLAMPS FOR 115 kV ALUMINIUM CONDUCTOR OVERHEAD TRANSMISSION LINES

Specification No.: RHDW-029/2563	Approved date: 16 JUL 2020	Rev. No.: 1	From No.: -	Page 1 of 10
----------------------------------	----------------------------	-------------	-------------	--------------

Invitation to Bid No.:

C Material, equipment, and specifications for SUSPENSION CLAMPS FOR 115 kV ALUMINIUM CONDUCTOR OVERHEAD TRANSMISSION LINES

C1 General material and packing instructions

Additional to the general instructions, the following shall be observed:

1a Scope

These specifications cover suspension clamps used for 115 kV aluminium conductor overhead transmission lines.

1b Standards

The suspension clamps shall be manufactured and tested in accordance with the following standards:
 British Standard (BS)

BS 3288-1: 2014 Insulator and conductor fittings for overhead power lines – Part 1: Performance and general requirements

BS 3288-2: 2009 Insulator and conductor fittings for overhead power lines – Part 2: Specification for a range of insulator fittings

And all other relevant standards, unless otherwise specified in these specifications.

PEA will accept suspension clamps manufactured and tested in accordance with the later edition of the above standards.

PEA will also accept suspension clamps manufactured and tested in accordance with the previous edition of the above standards, if there is no significant change in any test items or no additional test item(s) compared with the above standards. On the other hand, if there is significant change in any test items or there are any additional test items, the previous edition type test report with the additional test report(s) of the significant change test item(s) and/or additional test item(s) will be also accepted.

1c Principal requirement

1c.1 Service conditions and installation

The suspension clamps shall be designed and constructed for outdoor installation, and suitable for operation under the following conditions:

- Altitude : up to 1,000 m above sea level
- Ambient air temperature : up to 50^oC
- Average relative humidity in any one year : up to 94%
- Climatic condition : tropical climate



SUSPENSION CLAMPS FOR 115 kV ALUMINIUM CONDUCTOR OVERHEAD TRANSMISSION LINES

Specification No.: RHDW-029/2563

Approved date: 16 JUL 2020

Rev. No.: 1

From No.: -

Page 2 of 10

1c.2 Construction and characteristics

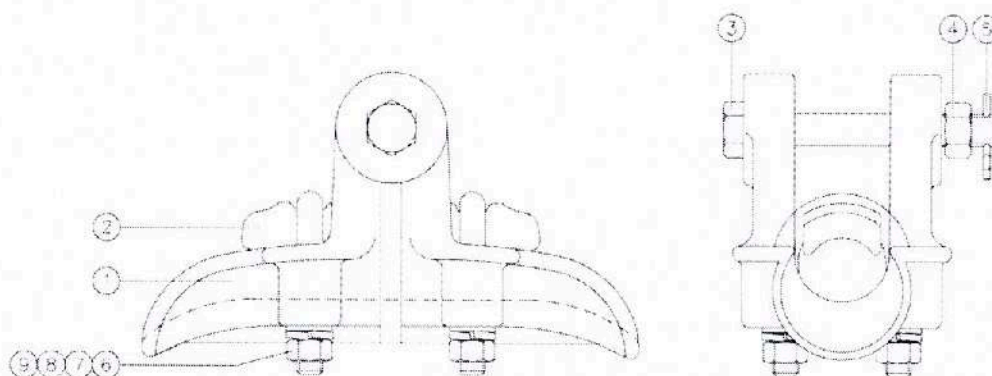
The suspension clamps shall be suitable for using with 400 sq.mm. (overall diameter 25.65 mm) aluminium stranded conductor in accordance with TIS 85 protected with preformed armor rods.

The suspension clamps shall have clamping range between 40 mm and 42 mm, or covered, and shall have smooth surfaces, free from burrs and edges and the fillets shall be rounded to minimize corona concentration and radio interference.

Ultimate strength (Specified failing load) of the suspension clamps shall be not less than 12,000 kgf.

Dimension of the suspension clamps shall be according to **Drawing No. SB2-015/63001**.

Each parts of the suspension clamps shall be made of material as shown in **Figure 1**.



Item	Parts	Material
1	Body	Aluminium alloy
2	Keeper	Aluminium alloy
3	Hex. bolt M16 or 5/8"	Galvanized steel grade 8.8
4	Hcx. nut M16 or 5/8"	Galvanized steel grade 8
5	Split pin	Stainless steel grade 304
6	U-bolt M12 or 1/2" (2 units)	Galvanized steel grade 8.8
7	Flat washer M12 or 1/2" (4 units)	Galvanized steel
8	Spring washer M12 or 1/2" (4 units)	Galvanized steel spring
9	Hex. nut M12 or 1/2" (4 units)	Galvanized steel grade 8

Figure 1 Material of each part of the suspension clamps



PROVINCIAL ELECTRICITY AUTHORITY

TECHNICAL SPECIFICATION DIVISION

SUSPENSION CLAMPS FOR 115 kV ALUMINIUM CONDUCTOR OVERHEAD TRANSMISSION LINES

Specification No.: RHIDW-029/2563	Approved date: 16 JUL 2020	Rev. No.: 1	From No.: -	Page 3 of 10
-----------------------------------	----------------------------	-------------	-------------	--------------

Body and keeper of the suspension clamps shall be made from primary aluminium alloy ingot which shall be standard grade or designation in accordance with international standards, i.e. SAE, AISI, JIS, ASTM, ANSI or BS. **Body and keeper of the suspension clamps made from secondary aluminium alloy ingot or recycled aluminium ingot shall be not accepted.**

The bidders shall submit certification of grade or designation of the aluminium alloy ingot, from the ingot suppliers or third-party laboratory, used in each production batch or lot of the body and keeper, with the bid.

The suspension clamps shall be galvanized in accordance with ASTM A153.

1c.3 Marking

Each suspension clamp shall be marked by mean of emboss on the body at least listed below. Except purchase order number shall be marked by means of engraving, stamping or laser marking on the body.

- (1) Manufacturer's name or Trademark
- (2) Clamping range
- (3) Model or drawing number or catalog number of suspension clamps
- (4) Purchase order number

1c.4 Samples

The bidders shall submit at least one (1) sample for each proposal item within five (5) working days counted from bid closing date for consideration; otherwise, the proposal will be rejected.

PEA's bids committee will initially check the sample by comparing with the color photograph in the proposed type test report and PEA's specification. PEA's bid committee will reject a proposal if there are any parts of suspension clamp differing from the color photograph in the type test report and PEA's specification.

The sample will be returned after consideration, except sample of the successful bidder will be used as a reference sample in acceptance process. The supplied suspension clamp with a different design compared with the reference sample shall be rejected.

1d Packing

The suspension clamps shall be packed in a wooden box. The quantity per box of suspension clamp shall not more than 150 pieces per box.

If the package is made of rubber wood (Yang-para or Heavea brasiliensis), the wooden parts shall be treated with wood preservative. The details of wood treatment shall be described.

Plastic foam shall not be accepted.



SUSPENSION CLAMPS FOR 115 kV ALUMINIUM CONDUCTOR OVERHEAD TRANSMISSION LINES

Specification No.: RHDW-029/2563

Approved date: 16 JUL 2020

Rev. No.: 1

From No.: -

Page 4 of 10

1e Tests and test report

1e.1 Type tests

The proposed suspension clamps shall be passed the type test items with reference standards and test method as specified in **Table 1**.

The cost of all tests and report shall be borne by the Bidders/Manufacturers.

Table 1

Type test items of suspension clamps

No.	Test Items	Reference standards/Test method
1	Weight of suspension clamp	PEA's test procedure in (1)
2	Visual and dimension check	PEA's test procedure in (2)
3	Galvanizing test	PEA's test procedure in (3)
4	Conductor slip test	BS 3288: 2014 or later edition and PEA's test procedure in (4)
5	Clamp bolt tightening test	BS 3288: 2014 or later edition and PEA's test procedure in (5)
6	Tensile test	BS 3288: 2014 or later edition and PEA's test procedure in (6)
7	Chemical composition test of body and keeper of suspension clamp	Optical emission spectrometer

Note: At least five (5) samples of suspension clamps are required for the type tests.

Before the type tests are proceeded, all samples, drawing showing specified dimensions and all information according to **Drawing No. SB2-015/63001** and **Figure 1** and testing plan will be submitted to PEA (by Technical Specification Division, Engineering Department) for approval and sign on the samples by PEA's representative.

One sample of the submitted suspension clamps will be kept by PEA (by Electrical Equipment Standard and Quality Control Division) and will be used as a reference sample for bid consideration and acceptance processes.

The other one sample will be sent to acknowledged independent testing laboratories/institutes, which have qualification mentioned below, for chemical composition testing of body and keeper of the suspension clamps as specified in **Table 1** for verification grade* or designation* of aluminium alloy.

Note: * PEA will also accept result of the chemical composition test of body and keeper of the suspension clamps with tolerance of -10% of minimum value of each substance specified in reference standard.



PROVINCIAL ELECTRICITY AUTHORITY

TECHNICAL SPECIFICATION DIVISION

SUSPENSION CLAMPS FOR 115 kV ALUMINIUM CONDUCTOR OVERHEAD TRANSMISSION LINES

Specification No.: RHDW-029/2563	Approved date: 16 JUL 2020	Rev. No.: 1	From No.: -	Page 5 of 10
----------------------------------	-----------------------------------	-------------	-------------	--------------

The other three samples will be sent to acknowledged independent testing laboratories/institutes, which have qualification mentioned below, for type test in accordance with test items No. 1 - 6 in **Table 1**, step by step, respectively as follows:

(1) Weight of suspension clamp

The three samples shall be weighted by digital weighing scale with 1-gram accuracy, or better. The weight of each sample and average weight shall be recorded in the report.

(2) Visual and dimension check

All samples shall have smooth surfaces, free from burrs, and the edges and fillets shall be rounded. Each sample shall have markings in accordance with clause **1c.3**, except purchase order number is not necessary to be marked at this stage.

Dimensions of each sample shall be measured and recorded in the test report. The dimensions of all samples shall be according to **Drawing No. SB2-015/63001** and drawings of manufacturer with tolerances specified in **Table 2**.

Table 2
Tolerances of visual check and dimension check

Dimension	Tolerance
Up to and including 35 mm	± 0.7 mm
Over 35 mm	± 2% mm or ± 5 mm, whichever is lower

(3) Galvanizing test

Galvanize coating thickness of all samples shall be measured by digital galvanize thickness tester. A main part, consisting of body and keeper, and a fastener part, consisting of bolts, nuts and washers, of each sample shall be randomly measured of galvanize coating thickness at 3 points for each part.

Minimum thickness and average thickness shall be according to **Table 3**.

Table 3
Galvanize coating thickness of the suspension clamp

Measured parts	Minimum coating thickness (microns)	
	Average from three points	Each point
Main part	86	79
Fastener part	53	43



(4) Conductor slip test

The test shall be according to BS 3288: 2014 or later edition.

The samples of suspension clamp will be installed with a 400 sq.mm. cross-section area aluminium conductor as a normal installation. The conductor shall be protected by a preformed armour rod which has minimum length of 2,300 mm. The preformed armour rod shall have 11 rods per set and each rod shall have a diameter of 7.87 ± 0.5 mm. Detail of the preformed armour rod i.e. product, dimension, number of rods and rod diameter shall be recorded in the test report.

The bolts of the samples shall be tightened with the recommended torque specified in the manufacturer's drawing or technical document.

An axial tensile load shall be applied either to the conductor or to the clamp. The conductor shall not slip through the clamp below a load of 7 kN or 5% of the rated tensile strength of the conductor, whichever is the greater value.

The conductor shall slip through the clamp at a load not greater than 20 kN (around 30% of rated tensile strength of the conductor).

The conductor shall not be damaged other than some surface flattening of the strands.

(5) Clamp bolt tightening test

The test shall be according to BS 3288: 2014 or later edition.

The samples of suspension clamps will be installed with a 400 sq.mm. cross-section area aluminium conductor protected by a preformed armour rod as specified in (4).

(6) Tensile test

The test shall be according to BS 3288: 2014 or later edition.

The failing load of each sample shall be not less than 12,000 kgf.

The type tests of suspension clamps shall be conducted or inspected by the acknowledged independent testing laboratories/institutes as follows:

- (1) Independent laboratories/institutes which are members of the Short-circuit Testing Liaison (STL) or independent laboratories/institutes which are accredited according to TIS 17025 or ISO/IEC 17025 with the scope of accreditation covered the relevant test items, standard and equipment. The certification and scope of accreditation of the independent laboratories/institutes shall be submitted with the bid for consideration.

SUSPENSION CLAMPS FOR 115 kV ALUMINIUM CONDUCTOR OVERHEAD TRANSMISSION LINES

Specification No.: RHDW-029/2563

Approved date: 16 JUL 2020

Rev. No.: 1

From No.: -

Page 7 of 10

(2) Laboratories, institutes, universities and electric utilities, as follows:

- National Metal and Materials Technology Center (MTEC)
- Electrical and Electronic Products Testing Center (PTEC)
- Thai Industrial Standards Institute (TISI)
- Electrical and Electronics Institute (EEI)
- Department of Science Service (DSS)
- Testing Laboratory, Electrical Engineering Department, Faculty of Engineering, Chulalongkorn University
- Electricity Generating Authority of Thailand (EGAT)
- Metropolitan Electricity Authority (MEA)
- Provincial Electricity Authority (PEA)
- Laboratory of manufacturers approved by PEA

PEA reserves the right to send representatives, from Electrical Equipment Standard and Quality Control Division and Technical Specification Division, to witness the type tests.

The bidders or manufacturers who prefer to carry out the type tests of the suspension clamps by the other laboratories or by manufacturer themselves without the qualification mentioned above, the detail of the test facilities with certificate of calibration of relevant testing equipment shall be submitted to PEA for approval before proceeding the tests and before the bid closing date. PEA reserves the right to send representatives to inspect and witness the tests with the cost of the bidders or manufacturers.

The type test report of the suspension clamps shall be valid within five (5) years counted from the issued date in the test report to the bid closing date.

PEA will also accept other documents instead of the type test reports in the following conditions:

- (1) In case the proposed suspension clamps have been supplied to PEA and get the order from PEA's Procurement Department (from PEA's head office), the Purchase Order (PO) can be submitted, or
- (2) In case the proposed suspension clamps have been registered for PEA Product Acceptance, the not-expired registration certificate counted to the bid closing date can be submitted, or
- (3) In case the proposed suspension clamps have been registered for Product lists for substation turnkey project, the not-expired registration certificate counted to the bid closing date can be submitted instead

However the document in case (1), (2) and (3) shall be proved that the suspension clamps specified in the PO or registration certificate shall be the same product, type/model and all ratings as the proposed suspension clamps for this bid.



การไฟฟห้ชา่ลวงุมิชา
PROVINCIAL ELECTRICITY AUTHORITY

PROVINCIAL ELECTRICITY AUTHORITY

TECHNICAL SPECIFICATION DIVISION

SUSPENSION CLAMPS FOR 115 kV ALUMINIUM CONDUCTOR OVERHEAD TRANSMISSION LINES

Specification No.: RHDW-029/2563	Approved date: 16 JUL 2020	Rev. No.: 1	From No.: -	Page 8 of 10
----------------------------------	----------------------------	-------------	-------------	--------------

The type test reports shall include the necessary as follow:

- Outline drawing of the suspension clamps, showing dimensions according to **Drawing No. SB2-015/63001** and showing material of each part of suspension clamps as specified in **Figure 1**.
- The color photographs of suspension clamps as following:
 - Manufacturer's name or Trademark
 - Type/Model
 - Conductor size (metric system) used with suspension clamps
 - Clamping range of suspension clamps
- Chemical composition test report as specified in **Table 1**, Test item No.7

The type test reports, submitted with the bid, will be completed only when there are signatures of both manager or representative of Electrical Equipment Standard and Quality Control Division and Manager or representative of Technical Specification Division, on all pages of the reports.

1e.2 Acceptance tests

PEA reserves the right to have an acceptance tests conducted by PEA's laboratory or acknowledge independent testing laboratories as mentioned in 1e.1 or by manufacturer's factory qualified by PEA.

The cost of all tests shall be borne by the Contractor.

PEA's acceptance committee will randomly select the samples of suspension clamps for each delivery lot with the number as specified in **Table 4**.

Table 4
Number of samples for acceptance tests

Number of suspension clamps for each delivery lot (sets)	Number of samples (sets)
not more than 500	3
more than 500	5

- Note:**
- The samples shall be not returned and shall be not used in the system.
 - After the tests, the additional suspension clamp, with the equal number of the samples specified in **Table 4**, shall be supplied by the contractor with free of charge to complete the number of suspension clamp in the purchase contract.



TECHNICAL SPECIFICATION DIVISION

SUSPENSION CLAMPS FOR 115 kV ALUMINIUM CONDUCTOR OVERHEAD TRANSMISSION LINES

Specification No.: RHDW-029/2563	Approved date: 16 JUL 2020	Rev. No.: 1	From No.: -	Page 9 of 10
----------------------------------	----------------------------	-------------	-------------	--------------

One sample shall be passed the chemical composition test of body and keeper of suspension clamp as same as the type test item No. 7 specified in **Table 1**.

The other samples shall be passed the acceptance test items as same as the type tests item No. 1 – 6 specified in **Table 1**, respectively.

For testing of weight of suspension clamps, the weight of each sample shall not differ by $\pm 5\%$ of the average wight recorded in the type test report.

1f Guarantee

The Contractor shall guarantee the quality of the suspension clamps for three (3) years in the condition as specified in **Note** below.

Note:

ภายในกำหนดระยะเวลารับประกันคุณภาพ หากการไฟฟ้าส่วนภูมิกานำ Suspension clamps ไปใช้งานตามปกติแล้วปรากฏว่าชำรุด ชัดข้อง หรือบกพร่อง คู่สัญญาจะต้องนำ Suspension clamps ตัวใหม่มาเปลี่ยนทดแทนของที่ชำรุด ภายใน 30 วัน นับถัดจากวันที่ได้รับแจ้งจากการไฟฟ้าส่วนภูมิภาค และหากการชำรุด ชัดข้อง หรือบกพร่องดังกล่าว มีสาเหตุมาจากคุณสมบัติที่ไม่เป็นไปตามสเปคของการไฟฟ้าส่วนภูมิภาค คู่สัญญาจะต้องเปลี่ยนสิ่งของที่ส่งมอบตามสัญญาทั้งหมดให้แก่การไฟฟ้าส่วนภูมิภาค โดยไม่คิดค่าใช้จ่ายใด ๆ ทั้งสิ้น และในกรณีการชำรุด ชัดข้อง หรือบกพร่องดังกล่าว เกิดขึ้นกับ Suspension clamps ที่ได้ถูกติดตั้งใช้งานแล้ว คู่สัญญาจะต้องยินยอมชดเชยค่าใช้จ่ายให้แก่การไฟฟ้าส่วนภูมิภาค ในส่วนของการดำเนินการรื้อถอนเป็นจำนวนเงิน 250.85 บาทต่อชุด และค่าใช้จ่ายในการติดตั้งใหม่เป็นจำนวนเงิน 408.58 บาทต่อชุด รวมถึงค่าใช้จ่ายอื่น ๆ ประกอบด้วยค่ารถกระเช้าระบบ 115 kV เป็นจำนวน 10,000 บาทต่อวัน และค่าเบี้ยเสี่ยงพนักงานหอทดไลน์เป็นจำนวน 2,000 บาทต่อวัน พร้อมทั้งยินยอมรับผิดชอบค่าเสียหายอื่นที่อาจเกิดขึ้นอันสืบเนื่องมาจาก การชำรุด ชัดข้อง หรือบกพร่อง และคู่สัญญาจะต้องรับประกันคุณภาพ Suspension clamps ตัวใหม่ที่นำมาเปลี่ยนทดแทนของที่ชำรุดเพิ่มจากสัญญาอีก 1 ปี และในกรณีที่คู่สัญญาต้องเปลี่ยนทดแทน Suspension clamps ที่ส่งมอบตามสัญญาทั้งหมดให้แก่การไฟฟ้าส่วนภูมิภาค Suspension clamps เหล่านี้ต้องผ่านกระบวนการทดสอบเพื่อการตรวจรับใหม่ด้วย

ทั้งนี้ Suspension clamps ที่คู่สัญญานำมาทดแทนจะต้องทำเครื่องหมาย (Marking) ตามที่ระบุไว้ในสเปคฯ หัวข้อ 1c.3 และจะต้องทำเครื่องหมายตัวอักษร "R" (หมายถึงสิ่งของเพื่อทดแทนของที่ชำรุด) เพิ่มเติมต่อท้ายเลข PO (Purchase order number) ด้วย โดยวิธีการตามที่ระบุไว้ในหัวข้อ 1c.3

SUSPENSION CLAMPS FOR 115 KV ALUMINIUM CONDUCTOR OVERHEAD TRANSMISSION LINES

Specification No.: RIIDW-029/2563 Approved date: **16 JUL 2020** Rev. No.: 1 From No.: - Page 10 of 10

C2 Material and packing data shall be submitted with the bid:

2a Type test report

The type test report submitted with the bid shall have same color with the original type test report.

2b Outline drawing(s) of the suspension clamps, showing dimensions and material of each part of suspension clamps

Outline drawing(s) by using PEA's drawings shall be not accepted.

2c Certification of grade or designation of the aluminium alloy ingot, from the ingot suppliers or third-party laboratory

2d Packing detail

Critical documents shall be submitted with the bid

(Please fill/check the boxes in each item)

No.	Required technical document	Proposed technical document	Reference document (Page No.)
1	Type test report (see 1e.1) or	<input type="checkbox"/> YES <input type="checkbox"/> No	
	Purchase Order (PO) from PEA's Procurement Department (from PEA's head office) (see 1e.1) or	<input type="checkbox"/> YES <input type="checkbox"/> No	
	Product acceptance certificate (see 1e.1)	<input type="checkbox"/> YES <input type="checkbox"/> No	
	Product lists certificate (see 1e.1)	<input type="checkbox"/> YES <input type="checkbox"/> No	
2	Outline drawing(s) of the suspension clamps, showing dimensions material of each part of suspension clamps (see 1c.2)	<input type="checkbox"/> YES <input type="checkbox"/> No	
3	Certification of grade or designation of the aluminium alloy ingot, from the ingot suppliers or third-party laboratory (see 1c.2)	<input type="checkbox"/> YES <input type="checkbox"/> No	
4	Packing detail (see 1d)	<input type="checkbox"/> YES <input type="checkbox"/> No	

Note:

All critical documents mentioned above shall be submitted with the bid; otherwise, the proposal will be rejected.



**PROVINCIAL ELECTRICITY AUTHORITY
ELECTRICAL AND MECHANICAL ENGINEERING DIVISION**

Specification No.: RHDW-029/2563
SUSPENSION CLAMPS FOR 115 KV ALUMINIUM CONDUCTOR
OVERHEAD TRANSMISSION LINES

Page 1 of 1

C3 Schedule of detailed requirement

Invitation to Bid No.: ต.3กบพ.(จร.)e-bidding003/2567

Item	PEA Material No.	Quantity	Description
2	1030120004	260 set(s)	Suspension clamps for aluminium conductor 400 mm ² protected by preformed armor rod, which have clamping range between 40 and 42 mm., or covered. Ultimate strength not less than 12,000 kgf.
			<p>หมายเหตุ</p> <p>กำหนดส่งมอบแต่ละรายการ ที่แผนกคลังพัสดุ การไฟฟ้าส่วนภูมิภาคจังหวัดยะลา ภายใน 60 วัน ทั้งนี้ ให้นำนับถึจากวันลงนามในสัญญาซื้อขาย และภายในงวดสามารถทยอยจัดส่งได้</p> <p>การไฟฟ้าส่วนภูมิภาคจะพิจารณาจัดซื้อ/จัดจ้างพัสดุที่ผลิตในประเทศไทย ทั้งนี้ หากผู้เสนอราคาพัสดุที่ผลิตในประเทศไทย มีรายละเอียดคุณสมบัติเฉพาะไม่เป็นไปตามข้อกำหนดของการไฟฟ้าส่วนภูมิภาค หรือไม่มีผู้เสนอพัสดุที่ผลิตในประเทศไทย การไฟฟ้าส่วนภูมิภาคจะพิจารณาจัดซื้อ/จัดจ้างพัสดุที่ผลิตจากต่างประเทศต่อไป</p> <p>พัสดุที่ผลิตในประเทศไทย หมายความว่าถึง ผลิตภัณฑ์ที่ผลิตสำเร็จรูปแล้วโดยสถานที่ผลิตตั้งอยู่ในประเทศไทย</p>



**PROVINCIAL ELECTRICITY AUTHORITY
ELECTRICAL AND MECHANICAL ENGINEERING DIVISION**

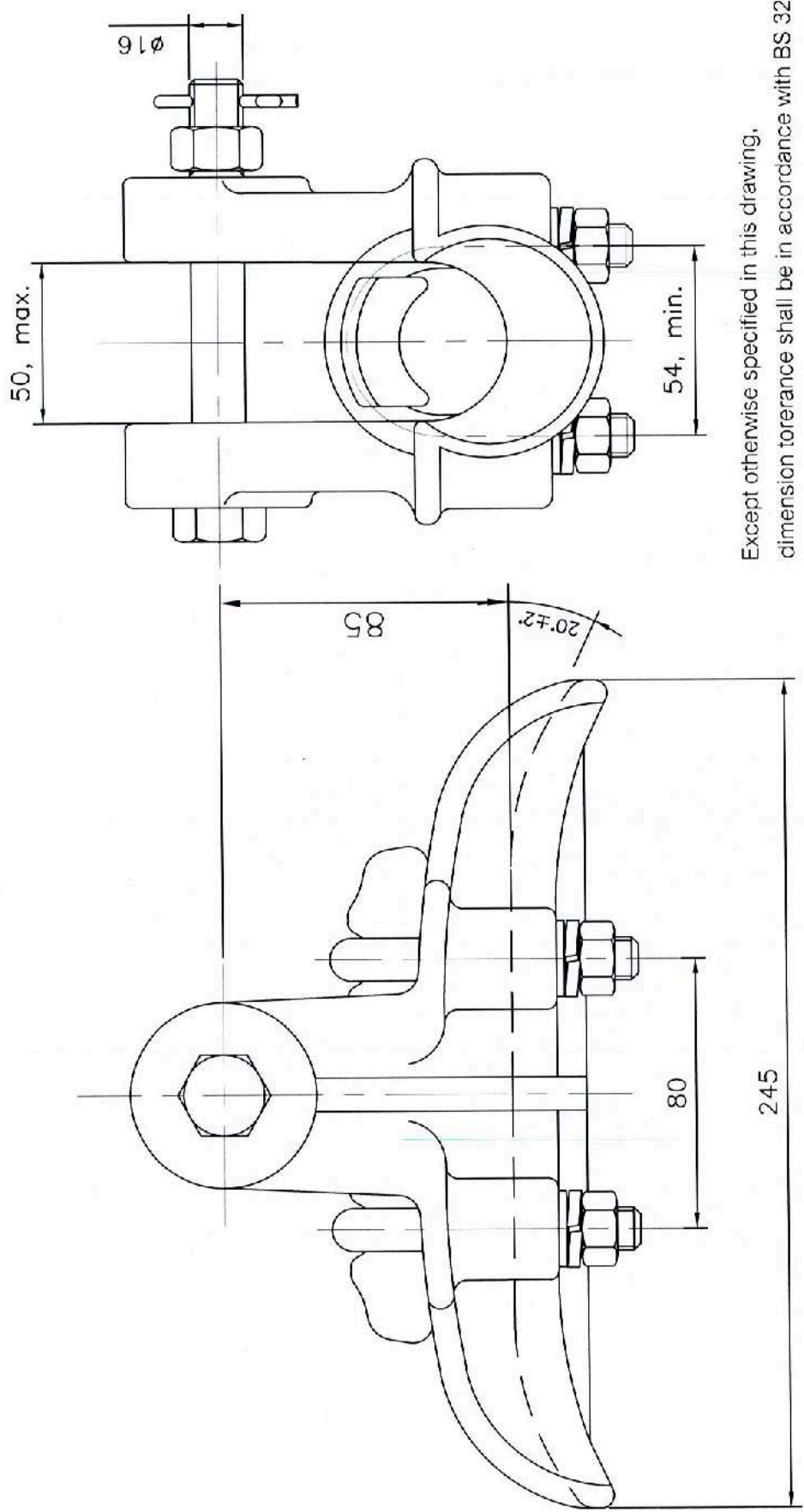
Specification No.: RHDW-029/2563
**SUSPENSION CLAMPS FOR 115 KV ALUMINIUM CONDUCTOR
OVERHEAD TRANSMISSION LINES**

Page 1 of 1

Proposal Data

Invitation to Bid No.: ต.3กบพ.(จร.)e-bidding003/2567

Item	PEA Material No.	Description	Proposal Data
2	1030120004	Suspension clamp for Aluminium conductor 400 sq.mm.	Manufacturer's name: Type or model: Trade-mark: Country of origin:



Except otherwise specified in this drawing, dimension tolerance shall be in accordance with BS 3288



<p>กองข้อกำหนดทางเทคนิค ฝ่ายวิศวกรรม</p> <p>ผู้เขียน.....ณรงค์เดช โพธิ์มงคล วิศวกร.....ณรงค์เดช โพธิ์มงคล หัวหน้าแผนก.....วิรัตน์ ผู้อำนวยการกอง.....สจ. ผู้อำนวยการฝ่าย.....</p>	<p>การไฟฟ้าส่วนภูมิภาค</p> <p>แคลมป์แขวน</p> <p>สำหรับสายอะลูมิเนียม 400 ตร.มม.</p> <p>SUSPENSION CLAMP FOR AAL 400 SQ.MM.</p>	<p>ชื่อแบบ..... ถูกแทนโดยแบบ..... เขียนแบบเสร็จวันที่ 20 มี.ค. 2566 แก้แบบวันที่..... มิติเป็น.....มิลลิเมตร มาตราส่วน..... SB2-015/63001 แบบเลขที่..... แผ่นที่.....1.....ของจำนวน.....1.....แผ่น</p>
--	--	---

เงื่อนไขทั่วไปประกอบการจัดซื้อพัสดุ

ผู้ยื่นข้อเสนอ จะต้องปฏิบัติตามเงื่อนไขประกอบการจัดซื้อพัสดุดังนี้

ข้อ ๑ “ผู้ยื่นข้อเสนอจะต้องยื่นเอกสารทางเทคนิค เช่น แค็ตตาล็อก แบบรูป (Drawings) รายงานผลการทดสอบเฉพาะแบบ (Type test reports) หรือเอกสารอื่นๆ ตามที่ได้ระบุไว้ในรายละเอียดสเปค (Specification) ให้ครบถ้วนพร้อมกับการยื่นข้อเสนอ โดยเอกสารทางเทคนิคดังกล่าวจะต้องเป็นภาพสีเหมือนกับเอกสารต้นฉบับ และต้องเป็นภาษาไทยหรือภาษาอังกฤษเท่านั้น สำหรับเอกสารทางเทคนิคที่ผู้ยื่นข้อเสนอจะต้องกรอกรายละเอียดในแบบฟอร์มของ การไฟฟ้าส่วนภูมิภาค ให้ใช้วิธีการพิมพ์เท่านั้น การไฟฟ้าส่วนภูมิภาคขอสงวนสิทธิที่จะไม่รับพิจารณาผู้ยื่นข้อเสนอที่ยื่นเอกสารทางเทคนิคไม่ครบถ้วน หรือไม่เป็นไปตามที่ระบุข้างต้น

ข้อ ๒ การไฟฟ้าส่วนภูมิภาค จะพิจารณาเฉพาะเอกสารทางเทคนิค เช่น แค็ตตาล็อก แบบรูป (Drawings) รายงานผลการทดสอบเฉพาะแบบ (Type test reports) หรือเอกสารอื่นๆ ที่ระบุผลิตภัณฑ์เป็นแบบ (Type) หรือเป็นรุ่น (Model) ที่ตรงกับที่ผู้ยื่นข้อเสนอระบุไว้ในรายการที่เสนอราคาเท่านั้น เว้นแต่รายละเอียดสเปค (Specification) ระบุความต้องการเอกสารทางเทคนิคไว้เป็นอย่างอื่น

ข้อ ๓ สำหรับพัสดุดูอุปกรณ์ที่ การไฟฟ้าส่วนภูมิภาค กำหนดให้ใช้เกณฑ์ราคาประกอบเกณฑ์อื่น (Price-performance) ในการพิจารณาจัดซื้อ ผู้ยื่นข้อเสนอที่ยื่นผลิตภัณฑ์ที่มีคุณสมบัติเป็นไปตามเกณฑ์อื่นในแต่ละรายการ และมีความประสงค์ที่จะให้ การไฟฟ้าส่วนภูมิภาค คิดคะแนนในส่วนของเกณฑ์อื่นดังกล่าวเพื่อประกอบการพิจารณาจัดซื้อนั้น ผู้ยื่นข้อเสนอจะต้องยื่นเอกสารแสดงคุณสมบัติในแต่ละเกณฑ์ให้ถูกต้อง และครบถ้วนมาพร้อมกับการยื่นข้อเสนอ หากการไฟฟ้าส่วนภูมิภาคตรวจสอบแล้วพบว่าเอกสารแสดงคุณสมบัติดังกล่าวไม่ถูกต้อง หรือไม่ครบถ้วน การไฟฟ้าส่วนภูมิภาค ขอสงวนสิทธิที่จะพิจารณาไม่ให้คะแนนในแต่ละเกณฑ์นั้นๆ

ทั้งนี้รายการพัสดุดูอุปกรณ์ที่การไฟฟ้าส่วนภูมิภาคกำหนดให้ใช้เกณฑ์ราคาประกอบเกณฑ์อื่นในการพิจารณาจัดซื้อ รวมถึงสัดส่วนการคิดคะแนนระหว่างเกณฑ์ราคา และเกณฑ์อื่นจะถูกกำหนดไว้ในเอกสารที่เกี่ยวข้อง”

ข้อ ๔ กรณีการจัดซื้ออุปกรณ์ไฟฟ้าหลักสำหรับติดตั้งใช้งานในระบบสายส่ง 115 KV และระบบจำหน่าย 22 KV และ 33 KV อันได้แก่ หม้อแปลงไฟฟ้า รีโกลสเซอร์ เซอร์กิตเบรกเกอร์ อุปกรณ์ป้องกัน สวิตช์ อุปกรณ์ตัดตอน ลูกถ้วยไฟฟ้า สายไฟฟ้า หม้อแปลงกระแส (Current transformers) หม้อแปลงแรงดัน (Voltage transformers) รวมถึง มิเตอร์สำหรับวัดพลังงานไฟฟ้า การไฟฟ้าส่วนภูมิภาคขอสงวนสิทธิที่จะส่งเจ้าหน้าที่ของการไฟฟ้าส่วนภูมิภาค หรือผู้แทนที่ได้รับการแต่งตั้งจากการไฟฟ้าส่วนภูมิภาคเข้าไปตรวจสอบกระบวนการผลิตและการควบคุมคุณภาพ ณ โรงงานผู้ผลิตก่อนการส่งมอบ โดยการไฟฟ้าส่วนภูมิภาคจะเป็นผู้ออกค่าใช้จ่ายในการเดินทาง และเบี้ยเลี้ยงของเจ้าหน้าที่ฯ หรือค่าจ้างผู้แทนฯ เท่านั้น

ข้อ ๕ การจัดซื้อหม้อแปลงไฟฟ้าสำหรับระบบจำหน่าย ผู้ที่ได้รับการสั่งซื้อต้องยินยอมให้ การไฟฟ้าส่วนภูมิภาค หรือผู้แทนที่ได้รับการแต่งตั้งจากการไฟฟ้าส่วนภูมิภาคเข้าไปตรวจสอบกระบวนการผลิต การควบคุมคุณภาพ และการทดสอบ ณ โรงงานผู้ผลิตก่อนการส่งมอบ โดยมีรายละเอียดและขั้นตอนที่ผู้ได้รับการสั่งซื้อต้องปฏิบัติตามเอกสารแนบจำนวน ๒ แผ่น โดยการไฟฟ้าส่วนภูมิภาคจะเป็นผู้ออกค่าใช้จ่ายในการเดินทาง และเบี้ยเลี้ยงของเจ้าหน้าที่ฯ หรือค่าจ้างผู้แทนฯ เท่านั้น

ข้อ ๖ กรณีพัสดุที่จะจัดซื้อเป็นรายการที่ ได้รับการรับรองตามกระบวนการ PEA Product Acceptance การไฟฟ้าส่วนภูมิภาคจะดำเนินการดังนี้

๖.๑ ในการพิจารณาทางเทคนิค หากผู้ยื่นข้อเสนอ เสนอผลิตภัณฑ์ที่ได้รับการรับรองตาม กระบวนการ PEA Product Acceptance ที่ยังไม่หมดอายุการรับรอง ให้แนบใบรับรองฯ ของการไฟฟ้าส่วน ภูมิภาค พร้อมเอกสารประกอบการเสนอราคา โดยไม่ต้องยื่นเอกสารทางเทคนิคอื่นๆ และคณะกรรมการ พิจารณาผลฯ ไม่ต้องพิจารณาเอกสารทางเทคนิค โดยให้ยึดตามใบรับรองฯ เท่านั้น

๖.๒ ในขั้นตอนการตรวจรับพัสดุที่จัดซื้อ หากพัสดुरายการใดเป็นพัสดุที่ไม่ได้รับการรับรอง ตามกระบวนการ PEA Product Acceptance ให้คณะกรรมการตรวจรับฯ ดำเนินการตรวจรับพัสดุดังกล่าว ตามขั้นตอน และวิธีการตรวจรับพัสดุของ การไฟฟ้าส่วนภูมิภาคที่บังคับใช้อยู่ ณ ปัจจุบัน

ทั้งนี้ หากพัสดुरายการใดได้รับการรับรองตามกระบวนการ PEA Product Acceptance ที่ยังไม่หมดอายุ การรับรองให้คณะกรรมการตรวจรับฯ ใช้เอกสารผลการทดสอบคุณภาพผลิตภัณฑ์จากผู้ผลิต และ Product DNA (เอกสารที่ช่วยในการตรวจสอบและคัดกรองผลิตภัณฑ์ในเบื้องต้น ซึ่งประกอบด้วยข้อมูล Type test และ รูปภาพส่วนประกอบต่างๆ ของผลิตภัณฑ์) เพื่อประกอบการตรวจรับพัสดุดังกล่าว โดยไม่ต้องสุ่มทดสอบอีก

๖.๓ ผู้ชนะการเสนอราคา หรือ คู่สัญญา จะต้องยื่นเอกสารแผนการผลิตและการควบคุม คุณภาพการผลิตให้ การไฟฟ้าส่วนภูมิภาค ซึ่งการไฟฟ้าส่วนภูมิภาคขอสงวนสิทธิ์ในการเข้าตรวจสอบในขั้นตอน การผลิต (In Process) หรือให้ผู้แทน รวมถึงหน่วยตรวจประเมินที่การไฟฟ้าส่วนภูมิภาค ให้การรับรองเข้า ดำเนินการดังกล่าว โดยค่าใช้จ่ายที่เกิดขึ้นเป็นของการไฟฟ้าส่วนภูมิภาค หากต้องการตรวจสอบซ้ำเนื่องจาก การตรวจสอบครั้งแรกไม่เป็นไปตามเงื่อนไข หรือหลักเกณฑ์ที่ การไฟฟ้าส่วนภูมิภาคกำหนด ผู้ชนะการเสนอ ราคา หรือ คู่สัญญาต้องเป็นผู้รับผิดชอบค่าใช้จ่ายที่เกิดขึ้นทั้งหมด

ข้อ ๗ กรณีผู้ยื่นข้อเสนอ เสนอผลิตภัณฑ์ที่เป็นเซอร์กิตเบรกเกอร์ สวิตช์ และอุปกรณ์ตัดตอนในระบบ จำหน่าย ผู้ยื่นข้อเสนอจะต้องดำเนินการ ดังนี้

๗.๑ เซอร์กิตเบรกเกอร์ ที่จะจัดซื้อตั้งแต่ระบบ 22 kV ขึ้นไป จะต้องมีความสมบัติเป็นไปตาม รายละเอียดสเปค (Specifications) ของการไฟฟ้าส่วนภูมิภาค และต้องมีคุณสมบัติข้อใดข้อหนึ่ง ดังนี้

๗.๑.๑ ผลิตโดยผู้ผลิตที่มีประสบการณ์ในการผลิตอุปกรณ์ประเภทดังกล่าวมาแล้ว ไม่น้อยกว่า ๓ ปี และต้องเคยติดตั้งใช้งานโดยไม่มีปัญหาในสถานีไฟฟ้าของภาครัฐ และหรือเอกชนในประเทศที่ เชื่อถือได้ มาแล้วไม่น้อยกว่า ๑ แห่ง โดยกรณีนี้ ผู้ยื่นข้อเสนอ จะต้องยื่นเอกสารแสดงประวัติการขาย (Reference List) หรือ หนังสือรับรองจากลูกค้า มาพร้อมกับการยื่นข้อเสนอ หรือ

๗.๑.๒ เป็นผลิตภัณฑ์ที่ผ่านการขึ้นทะเบียนกับการไฟฟ้าส่วนภูมิภาคแล้ว ได้แก่ การ ขึ้นทะเบียน PEA Product Acceptance หรือ PEA Product list หรือการขึ้นทะเบียนอื่นๆ ที่ การไฟฟ้าส่วน ภูมิภาคกำหนด โดยกรณีนี้ ผู้ยื่นข้อเสนอ จะต้องยื่นหนังสือรับรองการขึ้นทะเบียนที่ ยังไม่หมดอายุ มาพร้อมกับการ ยื่นข้อเสนอ หรือ

๗.๑.๓ เป็นผลิตภัณฑ์ที่ผ่านการทดลองติดตั้งใช้งานในระบบของการไฟฟ้าส่วน ภูมิภาคสำนักงานใหญ่แล้ว โดยกรณีนี้ ผู้ยื่นข้อเสนอจะต้องยื่นเอกสารรับรองการผ่านการทดลองติดตั้งใช้งาน จากการไฟฟ้าส่วนภูมิภาค มาพร้อมกับการยื่นข้อเสนอ

๗.๒ สวิตช์ และอุปกรณ์ตัดตอนในระบบจำหน่ายที่จะจัดซื้อ ตั้งแต่ระบบ 22 kV ขึ้นไป อันได้แก่ Dropout fuse cutout, Disconnecting switches, Air break switches, Remote controlled switches (SF₆, gas load break switches). Automatic switching equipment for switching power capacitor bank และ Recloser จะต้องมีความสมบัติเป็นไปตามรายละเอียดสเปค (Specifications) ของการไฟฟ้าส่วนภูมิภาค และต้องมีคุณสมบัติข้อใดข้อหนึ่ง ดังนี้

๗.๒.๑ ผลิตโดยผู้ผลิตที่มีประสบการณ์ในการผลิตอุปกรณ์ประเภทดังกล่าวมาแล้ว ไม่น้อยกว่า ๓ ปี และต้องเคยติดตั้งใช้งานในระบบจำหน่ายมาแล้วไม่น้อยกว่า ๔๐๐ ชุด โดยกรณีนี้ ผู้ยื่นข้อเสนอ จะต้องยื่นเอกสารแสดงประวัติการขาย (Reference List) หรือ หนังสือรับรองจากลูกค้า มาพร้อมกับการยื่นข้อเสนอ หรือ

๗.๒.๒ เป็นผลิตภัณฑ์ที่ผ่านการขึ้นทะเบียนกับการไฟฟ้าส่วนภูมิภาคแล้ว ได้แก่ การขึ้นทะเบียน PEA Product Acceptance หรือ PEA Product List หรือการขึ้นทะเบียนอื่นๆ ที่การไฟฟ้าส่วนภูมิภาคกำหนด โดยกรณีนี้ ผู้ยื่นข้อเสนอ จะต้องยื่นหนังสือรับรองการขึ้นทะเบียนที่ยังไม่หมดอายุ มาพร้อมกับการยื่นข้อเสนอ หรือ

๗.๒.๓ เป็นผลิตภัณฑ์ที่ผ่านการทดลองติดตั้งใช้งานในระบบของการไฟฟ้าส่วนภูมิภาคสำนักงานใหญ่แล้ว โดยกรณีนี้ ผู้ยื่นข้อเสนอจะต้องยื่นเอกสารรับรองการผ่านการทดลองติดตั้งใช้งานจากการไฟฟ้าส่วนภูมิภาคมาพร้อมกับการยื่นข้อเสนอ

๗.๓ ผู้ยื่นข้อเสนอสามารถเสนอขายเซอร์กิตเบรกเกอร์ สวิตช์หรืออุปกรณ์ตัดตอนในระบบจำหน่าย จากผู้ผลิตที่ไม่มีคุณสมบัติตามที่ระบุไว้ในข้อ ๗.๑ หรือ ๗.๒ ดังกล่าวได้ แต่ต้องเป็นผู้ที่ผลิตภายใต้ใบอนุญาต (License) และจะต้องประทับตราเครื่องหมายการค้า (Brand-Name or Trade-mark) เดิมของผู้ให้ใบอนุญาตบนพัสดุ โดยผู้ให้ใบอนุญาต (Licensor) จะต้องมีคุณสมบัติตามข้อ ๗.๑.๑ หรือ ๗.๒.๑ แล้วแต่กรณี

โดยกรณีนี้ผู้ผลิตภายใต้ใบอนุญาตจะต้องทำการทดสอบเฉพาะแบบ (Design or Type tests) เซอร์กิตเบรกเกอร์ สวิตช์ หรืออุปกรณ์ตัดตอนในระบบจำหน่ายตามมาตรฐานที่กำหนดไว้ในรายละเอียดสเปค (Specification) ใหม่ทั้งหมด

ทั้งนี้ ผู้ยื่นข้อเสนอต้องยื่นใบอนุญาต (License) ที่ยังไม่หมดอายุ มาพร้อมกับเอกสารแสดงประวัติการขาย (Reference List) หรือ หนังสือรับรองจากลูกค้า ของผู้ให้ใบอนุญาต (Licensor) มาพร้อมกับการยื่นข้อเสนอ

๗.๔ หากผู้ยื่นข้อเสนอ เสนอรายละเอียดไม่เป็นไปตามข้อ ๗.๑, ๗.๒ และ ๗.๓ ข้างต้น การไฟฟ้าส่วนภูมิภาคสงวนสิทธิที่จะไม่จัดซื้อ

ข้อ ๘ กรณีที่อุปกรณ์ไฟฟ้าหลักสำหรับติดตั้งใช้งานในระบบสายส่ง 115 kV และระบบจำหน่าย 22 kV และ 33 kV อันได้แก่ หม้อแปลงไฟฟ้า รีโคลสเซอร์ เซอร์กิตเบรกเกอร์ อุปกรณ์ป้องกัน สวิตช์ อุปกรณ์ตัดตอน ลูกถ้วยไฟฟ้า สายไฟฟ้า หม้อแปลงกระแส (Current transformers) หม้อแปลงแรงดัน (Voltage transformers) รวมถึงมิเตอร์จานหมุนชนิด ๑ เฟส และ ๓ เฟสสำหรับวัดพลังงานไฟฟ้า ผลิตภัณฑ์ใดก็ตามที่การไฟฟ้าส่วนภูมิภาค จัดซื้อในแต่ละสัญญา และติดตั้งใช้งานภายในระยะเวลา ๒ ปี นับจากวันที่ การไฟฟ้าส่วนภูมิภาค มีหนังสือแจ้งผลการตรวจรับงวดสุดท้าย หรือภายในระยะเวลาอื่นตามที่รายละเอียดสเปค (Specification) กำหนด มีสถิติการชำรุดอันเนื่องมาจากคุณภาพของผลิตภัณฑ์ เกินกว่าเกณฑ์ที่กำหนดไว้ในรายละเอียดสเปค (Specification) หรือกำหนดไว้ในเงื่อนไขอื่นๆ ในขอบเขตของงาน (TOR) หรือกำหนดไว้ในสัญญาจัดซื้อ การไฟฟ้าส่วนภูมิภาคจะตัดสิทธิการเสนอราคาผลิตภัณฑ์ดังกล่าว และจะไม่จัดซื้อเป็นการชั่วคราวทั้งในระหว่างการพิจารณาจัดซื้อ และที่จะประกาศจัดซื้อใหม่จนกว่าผู้ผลิตหรือ ผู้แทนจำหน่ายผลิตภัณฑ์นั้นๆ จะส่งแผนการปรับปรุงคุณภาพผลิตภัณฑ์ และดำเนินการแก้ไขให้เป็นที่ยอมรับจาก การไฟฟ้าส่วนภูมิภาคแล้ว

และต้องพันกำหนดระยะเวลา ๖ เดือน นับจากวันที่ การไฟฟ้าส่วนภูมิภาค มีหนังสือแจ้งตัดสิทธิการเสนอราคา ผลิตภัณฑ์ดังกล่าวด้วย

ทั้งนี้ เงื่อนไขดังกล่าวจะไม่มีผลใช้บังคับย้อนหลังไปถึงการจัดซื้อที่ยังไม่มีเงื่อนไขกำหนดไว้

ข้อ ๙ ผู้ชนะการเสนอราคาจะต้องแจ้งกำหนดวันส่งมอบพัสดุเป็นลายลักษณ์อักษรให้หน่วยงานจัดซื้อ และ/หรือ หน่วยงานที่จัดจัดส่งของการไฟฟ้าส่วนภูมิภาคทราบล่วงหน้าไม่น้อยกว่า ๓ วันทำการ เพื่อที่จะได้ กำหนดนัดวันตรวจรับต่อไปและจะต้องส่งมอบพัสดุระหว่างเวลา ๐๘.๓๐ น. ถึง ๑๒.๐๐ น. ของวันที่ทำการส่งมอบด้วย

ข้อ ๑๐ การตรวจสอบสภาพด้านทานของสายอลูมิเนียมหุ้มฉนวน การไฟฟ้าส่วนภูมิภาค ได้กำหนดแนวปฏิบัติ สำหรับการทดสอบสภาพด้านทานของสายอลูมิเนียมตีเกลียวหุ้มฉนวน ตาม มอก. ๒๙๓ ฉบับล่าสุด ดังนี้

๑๐.๑ การชักตัวอย่าง

คณะกรรมการตรวจรับการไฟฟ้าส่วนภูมิภาคจะสุ่มตัวอย่างสายไฟฟ้าที่ผลิตเสร็จเรียบร้อย (ตีเกลียวและหุ้มฉนวนแล้ว) และนำตัวอย่างมาทดสอบคุณสมบัติต่างๆ รวมทั้งการทดสอบสภาพด้านทานของสายไฟฟ้าด้วย ตามที่การไฟฟ้าส่วนภูมิภาคกำหนด

๑๐.๒ วิธีการทดสอบสภาพด้านทาน วิธีการทดสอบสภาพด้านทานเป็นไปตาม มอก. ๘๕ ฉบับล่าสุด โดยนำเฉพาะลวดตัวนำเส้นกลางมาหาค่าสภาพด้านทาน โดยวัดความต้านทานที่ อุณหภูมิห้อง แล้วปรับเป็นค่าที่อุณหภูมิ ๒๐ องศาเซลเซียส โดยวิธีการตาม มอก.กำหนด เพื่อนำไปคำนวณค่าสภาพด้านทานต่อไป

๑๐.๓ เกณฑ์ตัดสิน สายลวดอลูมิเนียมตีเกลียวจะถือว่าผ่านการทดสอบนี้ เมื่อมีค่าสภาพด้านทานไม่เกิน ค่าตามที่ มอก.๒๙๓ ฉบับล่าสุดกำหนดไว้

ข้อ ๑๑ พักติที่การไฟฟ้าส่วนภูมิภาคกำหนดให้มีการทดสอบเพื่อการตรวจรับในหัวข้อที่เป็นการทดสอบแบบทำลาย จนพัสดุไม่สามารถนำกลับมาใช้งานได้ คู่สัญญาจะต้องนำพัสดุใหม่มาทดแทนเพื่อให้ครบจำนวนตามที่ระบุไว้ในสัญญาก่อนการไฟฟ้าส่วนภูมิภาครับมอบพัสดุไว้ใช้งาน โดยการไฟฟ้าส่วนภูมิภาคจะมีหนังสือแจ้งให้ส่งของมาทดแทน ภายใน ๕ วันทำการนับจากวันที่ได้รับหนังสือแจ้ง หากคู่สัญญาไม่นำมาทดแทนภายในเวลาที่กำหนด การไฟฟ้าส่วนภูมิภาคจะคิดค่าปรับกรณีส่งของล่าช้าในอัตราร้อยละ ๐.๒๐ ของมูลค่าพัสดุที่นำมาทดแทน และผู้ขายต้องรับพัสดุที่ทดสอบแล้วชำระคืนกลับไป ภายใน ๓๐ วัน หลังจากได้นำพัสดุมาทดแทนให้การไฟฟ้าส่วนภูมิภาคแล้ว หากผู้ขายไม่ประสงค์จะรับพัสดุนั้นให้ทำหนังสือแจ้งการไฟฟ้าส่วนภูมิภาคทราบเพื่อที่จะดำเนินการต่อไป

ข้อ ๑๒ การชำระราคาพัสดุที่ตกลงซื้อขายกันการไฟฟ้าส่วนภูมิภาคจะชำระภายในเวลา ๓๐ วัน นับถัดจากวันที่การไฟฟ้าส่วนภูมิภาคได้ทำการตรวจรับพัสดุที่คู่สัญญาส่งมอบถูกต้องเรียบร้อยแล้วในแต่ละงวด และห้ามคู่สัญญาโอนสิทธิเรียกร้องการรับเงินให้กับบุคคลภายนอก

ข้อ ๑๓ ผู้ชนะการเสนอราคาจะต้องรับประกันความชำรุดบกพร่องอันเนื่องมาจากการใช้งานตามปกติของพัสดุเป็นเวลาไม่น้อยกว่า ๑ ปี นับถัดจากวันที่การไฟฟ้าส่วนภูมิภาคได้รับมอบแล้ว เว้นแต่

๑๓.๑ ปูนซีเมนต์ปอร์ตแลนด์ประเภทเกิดแรงสูงเร็ว ต้องรับประกันคุณภาพเป็นเวลาไม่น้อยกว่า ๓๐ วัน นับถัดวันที่การไฟฟ้าส่วนภูมิภาคได้รับมอบแล้ว

๑๓.๒ พักติประเภทดังต่อไปนี้ต้องรับประกันคุณภาพเป็นเวลาไม่น้อยกว่า ๓ ปี เว้นแต่รายละเอียดสเปค (Specification) กำหนดระยะเวลารับประกันคุณภาพไว้มากกว่า ๓ ปี นับถัดวันที่การไฟฟ้าส่วนภูมิภาคได้รับมอบแล้ว ให้ถือระยะเวลารับประกันคุณภาพที่กำหนดไว้ในรายละเอียดสเปค

-On-load tap-changing power transformers for 115 kV subtransmission substation

- Three-phase automatic voltage regulators (AVR) for 22 kV and 33 kV 50 Hz distribution System
- Single-phase and Three-phase transformers for 22 kV and 33 KV 50 Hz distribution system with and without ability to withstand short circuit
- Remote controlled switches for 22 kV and 33 kV 50 Hz distribution system
- Solid dielectric three-phase automatic reclosers for 22 kV and 33 kV 50 Hz distribution System
- Automatic switching equipment for HV power capacitor Bank
- Single-phase and Three-phase electromechanica and electronic energy meters

๑๓.๓ พัสตุที่จะจัดซื้อเป็น Porcelain cable spacer with grip locks and High-Density Polyethylene (HDPE) cable spacers and snap-tie ต้องรับประกันคุณภาพเป็นเวลาไม่น้อยกว่า ๕ ปี นับถัดวันที่การไฟฟ้าส่วนภูมิภาคได้รับมอบแล้ว

ถ้าพัสตุเกิดความบกพร่องเนื่องจากวัสดุและหรือฝีมือไม่ดี ต้องรีบจัดการแก้ไขหรือเปลี่ยนใหม่ให้เรียบร้อยโดยไม่คิดมูลค่า ภายใน ๓๐ วัน นับถัดจากวันที่ได้รับแจ้งจากการไฟฟ้าส่วนภูมิภาค และหากความบกพร่องดังกล่าวเป็นเหตุให้เกิดความเสียหายหรือเกิดอุบัติเหตุใดๆขึ้น ผู้ชนะการเสนอราคาจะต้องรับผิดชอบใช้ค่าเสียหายทั้งหมด ตามข้อกำหนดทั่วไป และ/หรือรายละเอียดสเปค (Specification) จะกำหนดไว้โดยไม่มีข้อโต้แย้งใดๆ

ในกรณีที่ผู้ชนะการเสนอราคาปรับพัสตุไปแก้ไข หรือการไฟฟ้าส่วนภูมิภาคส่งมอบพัสตุให้ผู้ชนะการเสนอราคาไปดำเนินการแก้ไข และผู้ชนะการเสนอราคาส่งมอบพัสตุที่แก้ไขแล้วคืนเกินกำหนดเวลา ๓๐ วัน ผู้ชนะการเสนอราคาต้องขยายกำหนดเวลารับประกันความชำรุดบกพร่องเท่ากับจำนวนวันที่เกินจากกำหนด ๓๐ วัน โดยนับถัดจากวันครบกำหนดเวลารับประกันเดิม สำหรับกรณีที่แก้ไขแล้วเสร็จพันกำหนดเวลารับประกัน ให้ขยายกำหนดตามจำนวนวันที่เกินจากกำหนด ๓๐ วัน โดยนับถัดจากวันส่งมอบพัสตุที่แก้ไขเสร็จเรียบร้อย แล้วแต่กรณี และยอมให้การไฟฟ้าส่วนภูมิภาคปรับเป็นรายวันในอัตรา ร้อยละ ๐.๐๕๑๐๙ ของราคาพัสตุรวมภาษีมูลค่าเพิ่ม ที่แก้ไขเกินกำหนด

ข้อ ๑๔ โครงการจัดซื้อจัดจ้างที่มีวงเงินตั้งแต่ ๕๐๐ ล้านบาทขึ้นไป รวมถึงการจัดซื้อจัดจ้างแบบเป็นกลุ่มประกวดราคา (Bid Group) ที่มีวงเงินตั้งแต่ ๕๐๐ ล้านบาทขึ้นไป (ตามประกาศคณะกรรมการความร่วมมือป้องกันการทุจริต เรื่อง มาตรฐานขั้นต่ำของนโยบายและแนวทางป้องกันการทุจริตในการจัดซื้อจัดจ้างที่ผู้ประกอบการ ต้องจัดให้มี ตามมาตรา ๑๙ แห่งพระราชบัญญัติการจัดซื้อจัดจ้างและการบริหารพัสดุภาครัฐ พ.ศ. ๒๕๖๐) ผู้เข้าร่วมการเสนอราคาจะต้องมีนโยบายและแนวทางการป้องกันการทุจริตในการจัดซื้อจัดจ้างพร้อมทั้ง ต้องแนบเอกสารหลักฐาน และแบบตรวจสอบข้อมูลของผู้ประกอบการที่จะเข้าร่วมการเสนอราคาในโครงการที่มีวงเงินตั้งแต่ ๕๐๐ ล้านบาทขึ้นไป ประกอบเป็นเอกสารการเสนอราคา โดยผู้ประกอบการจะต้องมีการดำเนินการตามแบบตรวจสอบข้อมูลครบถ้วนทุกข้อจึงจะผ่านการพิจารณาคุณสมบัติของ ผู้เสนอราคา

ทั้งนี้เงื่อนไขตามข้อ ๑๔ ดังกล่าวจะเริ่มใช้ตั้งแต่วันที่ ๕ กุมภาพันธ์ ๒๕๖๒ เป็นต้นไป

ข้อ ๑๕ โครงการจัดซื้อจัดจ้างที่มีวงเงินตั้งแต่ ๑,๐๐๐ ล้านบาทขึ้นไป จะต้องดำเนินการตามประกาศคณะกรรมการความร่วมมือป้องกันการทุจริต (ค.ป.ท.) เรื่องแนวทางและวิธีการในการดำเนินงานโครงการความร่วมมือป้องกันการทุจริตในการจัดซื้อจัดจ้างภาครัฐ แบบของข้อตกลงคุณธรรม การคัดเลือกผู้สังเกตการณ์ และการจัดทำรายงานตามมาตรา ๑๗ และ มาตรา ๑๘ แห่งพระราชบัญญัติการจัดซื้อจัดจ้างและการบริหารพัสดุภาครัฐ พ.ศ. ๒๕๖๐ และได้รับ คัดเลือก จากคณะกรรมการความร่วมมือป้องกันการทุจริต (ค.ป.ท.) ให้จัดทำข้อตกลงคุณธรรม (integrity pact :IP)

ผู้ประสงค์จะเข้าร่วมการเสนอราคาในโครงการจัดทำข้อตกลงคุณธรรมจะต้องลงนามในข้อตกลงคุณธรรมซึ่งเป็นเอกสารที่ยื่นพร้อมกับเอกสารเสนอราคา หากไม่ลงนามในข้อตกลงคุณธรรมจะไม่มีสิทธิเข้าร่วมการเสนอราคาในโครงการนั้น

รายละเอียดเพิ่มเติมการจัดซื้อฮาร์ดแวร์

๑. กำหนดให้เป็นหน้าที่ของผู้ชนะการเสนอราคาที่จะต้องจัดให้คณะกรรมการตรวจสอบการผลิต เข้าตรวจสอบการผลิตอุปกรณ์ไฟฟ้าประเภท Hardware ใน Lot ที่จะส่งมอบต่อการไฟฟ้าส่วนภูมิภาคชั้นหนึ่ง ก่อน เพื่อคณะกรรมการฯ จะได้กลั่นกรองคุณภาพในขั้นต้น ซึ่งหากพบข้อบกพร่องที่จะต้องแก้ไข ก็จะได้แก้ไขได้โดยง่ายเพราะยังอยู่ในระหว่างการผลิต
๒. คณะกรรมการฯ มีอำนาจที่จะสั่งให้ผู้ชนะการเสนอราคา หรือผู้ผลิตแก้ไขข้อบกพร่องได้ทันทีที่พบข้อบกพร่อง ในขณะที่เข้าตรวจสอบการผลิต โดยประธานกรรมการฯ ลงนามแจ้งเป็นหนังสือให้ผู้ชนะการเสนอราคาทราบ
๓. ชนิดอุปกรณ์ และขั้นตอนการตรวจสอบการผลิต มีดังนี้ :-

ชนิดอุปกรณ์

- | | | |
|---------------|----------------------|------------|
| 1. Bolt | 4. Ground Rod | 7. Nut Eye |
| 2. Anchor Rod | 5. Rack | |
| 3. Clamp | 6. Pin For Insulator | |

ขั้นตอนการตรวจสอบการผลิต

การไฟฟ้าส่วนภูมิภาคสงวนสิทธิที่จะทำการตรวจสอบการผลิตทุกขั้นตอนตั้งแต่ การบ่มขึ้นรูป, การหล่อ, การเชื่อม, การทำเกลียว, การอบสังกะสี, การประกอบ, ตลอดจนการบรรจุหีบห่อ

๔. หากคู่สัญญาไม่ยินยอมให้คณะกรรมการเข้าตรวจสอบหรือไม่ยอมแก้ไขข้อบกพร่องตามที่คณะกรรมการฯ แจ้งให้แก้ไข จะมีผลทำให้คณะกรรมการตรวจรับ ปฏิเสธการรับของนั้นๆ ได้
๕. การตรวจสอบในขั้นต้นของคณะกรรมการฯ นั้นจะไม่ถือว่าเป็นการตรวจรับอุปกรณ์ใน Lot นั้นๆ จนกว่าจะมีการส่งมอบ และตรวจรับของตามสัญญาอย่างถูกต้อง
๖. คณะกรรมการฯ มีสิทธิเลือกสุ่ม หรือนำของที่อยู่ระหว่างการผลิตมาทดสอบ และหากของนั้นชำรุดหรือเสียหายจากการทดสอบคุณภาพ คู่สัญญาจะต้องไม่เรียกค่าเสียหายใดๆ ทั้งสิ้น
๗. ความล่าช้าอันเนื่องมาจากเหตุตามข้อ ๔ คู่สัญญาจะถือเป็นเหตุยกเว้นความรับผิดชอบในการส่งมอบสิ่งของตามกำหนดเวลาในสัญญามีได้
๘. เพื่อขจัดปัญหาข้อขัดแย้งเกี่ยวกับคุณภาพการผลิต ซึ่งอาจเกิดขึ้นระหว่างคณะกรรมการฯ กับ คู่สัญญาให้ถือผลการทดสอบจาก การไฟฟ้าส่วนภูมิภาคหรือหน่วยทดสอบเครือข่ายที่การไฟฟ้าส่วนภูมิกาศรับรองเป็นข้อยุติ