



การไฟฟ้าส่วนภูมิภาค  
PROVINCIAL ELECTRICITY AUTHORITY

**PROVINCIAL ELECTRICITY AUTHORITY**

**TECHNICAL SPECIFICATION DIVISION**

**THREE-PHASE TRANSFORMERS FOR 22 kV AND 33 kV 50 Hz DISTRIBUTION SYSTEMS  
WITH ABILITY TO WITHSTAND SHORT CIRCUIT**

Specification No. RTRN-035/2561

Approved date : 30/05/2562

Rev. No. : 5

Form No. 02-3S

Page 28 of 32

Item .....

- Full-wave impulse withstand voltage, or BIL	kV, peak	
- Power-frequency test voltage, 1 min	kV, r.m.s.	
- Construction of winding	-	
- Current density	A/mm <sup>2</sup>	
- Number of layer per coil	-	
- Number of turns of each coil in tap No.3	Turns	
- Number of turns of each tapping position	Turns	
- Total turns of each coil	Turns	
<b>Core</b>		
- Manufacturer's name (the bidders have to quote not more than three (3) manufacturers)	-	
- Country of origin	-	
<b>Pressure relief valve</b>		
- Manufacturer's name	-	
- Country of origin	-	
- Type or model	-	
- Operating pressure	kg/cm <sup>2</sup>	
- Flow rate at..... kg/cm <sup>2</sup>	cc/sec	
Method of cooling	-	
Total cooling surface	m <sup>2</sup>	
Brand of oil used for initial filling	-	
Completely assembled transformer shall withstand, without permanent deformation, a maximum pressure of	kg/cm <sup>2</sup>	
Colour of tank: grey (RAL 7036)	Yes/No	
Tank finish conforms to PEA's requirement	Yes/No	
Quantity of oil filling	liters	
Mass of core	kg	
Mass of winding	kg	
Mass of the part liftable from tank	kg	
Mass of complete transformer with oil	kg	
Terminal markings and connections conform to PEA's requirement	Yes/No	



การไฟฟ้าส่วนภูมิภาค  
PROVINCIAL ELECTRICITY AUTHORITY

**PROVINCIAL ELECTRICITY AUTHORITY**

**TECHNICAL SPECIFICATION DIVISION**

**THREE-PHASE TRANSFORMERS FOR 22 kV AND 33 kV 50 Hz DISTRIBUTION SYSTEMS**

**WITH ABILITY TO WITHSTAND SHORT CIRCUIT**

Specification No. RTRN-035/2561

Approved date : 30/05/2562

Rev. No. : 5

Form No. 02-3S

Page 29 of 32

Item .....

<p><b>Tank</b></p> <ul style="list-style-type: none"> <li>- Thickness of side wall</li> <li>- Thickness of top plate</li> <li>- Thickness of bottom plate</li> </ul> <p><b>Internal dimensions</b></p> <ul style="list-style-type: none"> <li>- Height</li> <li>- Width</li> <li>- Depth</li> </ul>	<p>mm</p> <p>mm</p> <p>mm</p> <p>mm</p> <p>mm</p> <p>mm</p> <p>mm</p>	
<p><b>Dimensions of transformer</b></p> <ul style="list-style-type: none"> <li>Overall height</li> <li>Overall width</li> <li>Overall depth</li> <li>Height over cover</li> </ul>	<p>mm</p> <p>mm</p> <p>mm</p> <p>mm</p>	
<p><b>Total dry film thickness</b></p>	<p>µm</p>	
<p><b>Fin</b></p> <ul style="list-style-type: none"> <li>- Fin radiators or Corrugated thickness</li> <li>- Dimension of each fin (LxBxT)</li> </ul> <p><b>Number of Fins per radiator</b></p> <ul style="list-style-type: none"> <li>- Side of tank</li> <li>- Front of tank</li> <li>- Total number of fin</li> </ul>	<p>mm</p> <p>mm</p> <p>-</p> <p>-</p> <p>-</p>	
<p><b>Bushing clearance</b></p> <p>Please fill in the shortest of clearance</p> <ul style="list-style-type: none"> <li>LV to earth</li> <li>HV to earth</li> <li>Between LV bushing</li> <li>Between HV bushing</li> </ul>	<p>mm</p> <p>mm</p> <p>mm</p> <p>mm</p> <p>mm</p>	
<p>Detail documents of Item 1 on Page 31 to 32 of 32 shall be sent to PEA before shipment/delivery</p>	<p>Yes/No</p>	



การไฟฟ้าส่วนภูมิภาค  
PROVINCIAL ELECTRICITY AUTHORITY

**PROVINCIAL ELECTRICITY AUTHORITY**

**TECHNICAL SPECIFICATION DIVISION**

**THREE-PHASE TRANSFORMERS FOR 22 kV AND 33 kV 50 Hz DISTRIBUTION SYSTEMS  
WITH ABILITY TO WITHSTAND SHORT CIRCUIT**

Specification No. RTRN-035/2561

Approved date : 30/05/2562

Rev. No. : 5

Form No. 02-3S

Page 30 of 32

Item .....

X/R ratio	-	
<b>Rated short circuit current and withstanding duration</b>		
- Current	kA	
- Duration	s	
<b>Duration of overload</b>		
- 25% overload	Minutes	
- 50% overload	Minutes	
Magnetic flux density	Tesla	
<b>Other :</b>		



การไฟฟ้าส่วนภูมิภาค  
PROVINCIAL ELECTRICITY AUTHORITY

**PROVINCIAL ELECTRICITY AUTHORITY**

**TECHNICAL SPECIFICATION DIVISION**

**THREE-PHASE TRANSFORMERS FOR 22 kV AND 33 kV 50 Hz DISTRIBUTION SYSTEMS  
WITH ABILITY TO WITHSTAND SHORT CIRCUIT**

Specification No. RTRN-035/2561

Approved date : 30/05/2562

Rev. No. : 5

Form No. 02-3S

Page 31 of 32

**Note: Conditions for documentation and consideration**

1. The Contractor has to supply the following documents in English and/or Thai, before shipment/delivery, for each ordered transformer:

- 1.1 Report of routine tests
- 1.2 Number of turns of each winding, each coil, and each tapping position
- 1.3 Mass of HV windings and of LV windings
- 1.4 Type of enamel, temperature class, and size of the enameled wire
- 1.5 Information for Reference (only one(1) unit per contract). The following information for each transformer shall be submitted for maintenance purpose.
  - Coil height for each winding before assembly and after complete assembly.
  - Torque value on clamping bolts or pressure for each winding before assembly and after complete assembly.
  - Photograph of each coil for each phase and photograph of core and coils assembly. The photograph of each coil shall be taken from the final production process before placing to the core, top view and front view shall be provided. The photograph of core and coils assembly shall be taken just prior to place the completed core and coils assembly into the tank, top view, front view, right view, left view and rear view shall be provided for complete set of photographs. All photographs shall be 216 mm (8-1/2 in) by 280 mm (11 in) gloss prints properly labeled relevant to the view taken.
- 1.6 Invoice and Test report of the following material and accessories used in each supply shall be submitted.
  - Transformer oil
  - Silicon steel
  - Copper conductor
  - Insulation paper and pressboard
  - Pressure relief
  - Gaskets
  - Bushing
  - Transformer supervisory equipment



การไฟฟ้าส่วนภูมิภาค  
PROVINCIAL ELECTRICITY AUTHORITY

**PROVINCIAL ELECTRICITY AUTHORITY**

**TECHNICAL SPECIFICATION DIVISION**

**THREE-PHASE TRANSFORMERS FOR 22 kV AND 33 kV 50 Hz DISTRIBUTION SYSTEMS  
WITH ABILITY TO WITHSTAND SHORT CIRCUIT**

**Specification No. RTRN-035/2561**

**Approved date : 30/05/2562**

**Rev. No. : 5**

**Form No. 02-3S**

**Page 32 of 32**

The above documents shall be sent to the following address:

Transformer Division  
Provincial Electricity Authority  
200 Ngam Wong Wan Road, Chatuchak  
Bangkok Metropolis 10900  
Thailand

2. If the material and packing data given by bidders, which are mentioned on Pages 23 to 24 of 32 are estimated or approximated, the bid may be rejected.
3. Delivery time is also one of the important factors to be considered.
4. Partial shipment/delivery is allowed.



การไฟฟ้าส่วนภูมิภาค  
PROVINCIAL ELECTRICITY AUTHORITY

**PROVINCIAL ELECTRICITY AUTHORITY**

**TECHNICAL SPECIFICATION DIVISION**

**THREE-PHASE TRANSFORMERS FOR 22 kV AND 33 kV 50 Hz DISTRIBUTION SYSTEMS  
WITH ABILITY TO WITHSTAND SHORT CIRCUIT**

Specification No. RTRN-035/2561

Approved date : 04 NOV 2020

Rev. No. : 6

Form No. 02-3S

Page 1 of 3

**APPENDIX 1**

**Comparison Method**

In case the ability to withstand the dynamic short circuit is demonstrated by comparison between the reference transformer and similar transformer. In this case the bidders have to submit the short circuit test report of the reference transformer, calculation report of short circuit force which using Finite Element Method (FEM) software, all necessary information according to **Table 3** Design data of the reference transformers and the proposed transformers as well as the necessary information in order to show that the short-circuit withstand test report can prove the performance of the proposed transformers with the bid.

The short circuit test procedure of the reference transformer shall be according to **1e.2.2 Test procedure of Type test and Short-circuit withstand test.**

For the ability to withstand the dynamic effects of short circuit test, the total number of tests shall be three made in a different position of the tap-changer according to IEC 60076-5. The duration of each test shall be 0.5 s

The transformer is considered similar or representative to another transformer (proposed transformers) taken as a reference if it has the following characteristics in common with the latter:

- (1) Same type of operation, for example generator step-up unit, distribution, interconnection transformer and same rated voltage according to **Table 1**;
- (2) Same conceptual design, for example dry-type, oil-immersed type, core type with concentric windings, sandwich type, shell type, circular coils, non-circular coils;
- (3) Same arrangement and geometrical sequence of the main windings;
- (4) Same type of winding conductors, for example, aluminium, aluminium alloy, annealed or hardened copper, metal foil, wire, flat conductor, continuously transposed conductors and epoxy bonding, if used;
- (5) Same type of main windings for example, helical-, disc-, layer-type, pancake coils;
- (6) Absorbed power at short circuit (rated power/per unit short-circuit impedance) between 30% and 130% of that relating to the reference unit, see **Table 2**;
- (7) Axial forces, radial forces, axial winding stresses and radial winding stresses occurring at short circuit not exceeding 120% of those in the reference unit. (Force shall be calculated by Finite element program such as FLD12 etc., Hand calculation shall be rejected)
- (8) Same manufacturing processes;
- (9) Same clamping and winding support arrangement.

In case the comparison method, the short-circuit withstand test report of the reference transformer and a calculation report as a result of the comparison between the reference transformer and proposed transformer shall be submitted with the bid. The calculation report shall give evidence the force and stress according to item (7) and all necessary information according to item (1) to (9).





การไฟฟ้าส่วนภูมิภาค  
PROVINCIAL ELECTRICITY AUTHORITY

**PROVINCIAL ELECTRICITY AUTHORITY**

**TECHNICAL SPECIFICATION DIVISION**

**THREE-PHASE TRANSFORMERS FOR 22 kV AND 33 kV 50 Hz DISTRIBUTION SYSTEMS  
WITH ABILITY TO WITHSTAND SHORT CIRCUIT**

Specification No. RTRN-035/2561

Approved date : 04 NOV 2020

Rev. No. : 6

Form No. 02-3S

Page 2 of 3

**Table 1**

Type of operation and rated voltage of the proposed transformers similar to the reference transformers

Type and Rated voltage	The reference transformer	The proposed transformers
Type	3 Phase only	3 Phase
Rated primary voltage	22 kV	22 kV
Rated primary voltage	33 kV	33 kV
Rated secondary voltage (3 phase)	416/240 V	416/240 V

**Table 2**

Rated power of the proposed transformers similar to the reference transformers

	Rated power (kVA) of the reference transformers	Rated power (kVA) of the proposed transformers									
		315	400	500 <sup>(1)</sup>	630	800	1,000	1,250	1,500	2,000	
1	250	315		500 <sup>(1)</sup>							
2	315	315	400	500 <sup>(1)</sup>							
3	400	315	400	500 <sup>(1)</sup>	630						
4	500 <sup>(1)</sup>	315	400	500 <sup>(1)</sup>							
5	630	315	400	500 <sup>(1)</sup>	630	800					
6	800	315	400	500 <sup>(1)</sup>	630	800	1,000				
7	1,000	315	400	500 <sup>(1)</sup>	630	800	1,000	1,250			
8	1,250	315	400	500 <sup>(1)</sup>	630	800	1,000	1,250	1,500		
9	1,500	315	400	500 <sup>(1)</sup>	630	800	1,000	1,250	1,500		
10	2,000		400		630	800	1,000	1,250	1,500	2,000	

**Note :**

- <sup>(1)</sup> Based on 6.5% short-circuit impedance. In case the impedance of 500 kVA transformer more than 6.5%, the bidders shall recalculate this table for PEA approval.





การไฟฟ้าส่วนภูมิภาค  
PROVINCIAL ELECTRICITY AUTHORITY

**PROVINCIAL ELECTRICITY AUTHORITY**

**TECHNICAL SPECIFICATION DIVISION**

**THREE-PHASE TRANSFORMERS FOR 22 kV AND 33 kV 50 Hz DISTRIBUTION SYSTEMS  
WITH ABILITY TO WITHSTAND SHORT CIRCUIT**

Specification No. RTRN-035/2561

Approved date : 04 NOV 2020

Rev. No. : 6

Form No. 02-3S

Page 3 of 3

**Table 3**

**Design data of the reference transformers and the proposed transformers**

Description	Design value of the reference transformers		Design value of the proposed transformers	
Rating (kVA)				
% Short circuit impedance				
Construction of Core				
HV Windings, made of				
LV Windings, made of				
Construction of HV Windings (Layer or disk)				
Construction of LV Windings (Layer or Foil)				
HV Current density (please enclosed the calculation sheet)				
LV Current density (please enclosed the calculation sheet)				
Axial force (please enclosed software calculation sheet)	<u>HV</u>	<u>LV</u>	<u>HV</u>	<u>LV</u>
Axial stress (please enclosed software calculation sheet)	<u>HV</u>	<u>LV</u>	<u>HV</u>	<u>LV</u>
Radial force (please enclosed software calculation sheet)	<u>HV</u>	<u>LV</u>	<u>HV</u>	<u>LV</u>
Radial stress (please enclosed software calculation sheet)	<u>HV</u>	<u>LV</u>	<u>HV</u>	<u>LV</u>
Same arrangement of main windings and geometrical sequence as the reference unit (Yes/No) (please enclosed the winding detail drawing)				
Same clamping and supporting arrangement. (Yes/No) (please enclosed the clamping detail drawing)				







การไฟฟ้าส่วนภูมิภาค  
PROVINCIAL ELECTRIC AUTHORITY

**PROVINCIAL ELECTRICITY AUTHORITY  
ELECTRICAL AND MECHANICAL ENGINEERING DIVISION**

**Specification No.: RTRN-035/2561  
THREE-PHASE TRANSFORMERS FOR 22 kV AND 33 kV 50 Hz DISTRIBUTION  
SYSTEMS WITH ABILITY TO WITHSTAND SHORT CIRCUIT**

**Page 1 of 1**

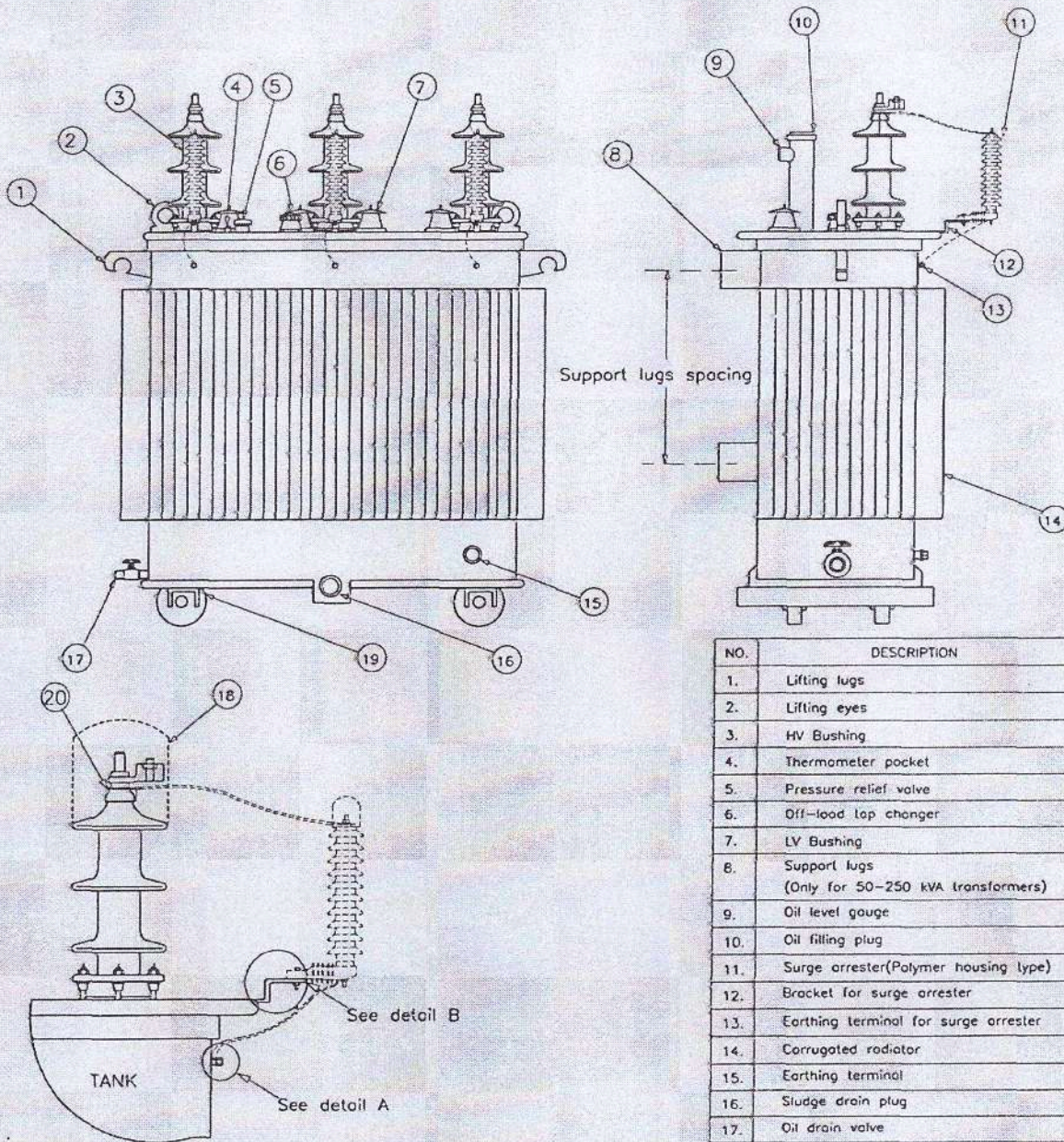
**C3 Schedule of detailed requirement**

**Invitation to Bid No.: N2.EB.(จท)-01-2567**

<b>Item</b>	<b>PEA Material No.</b>	<b>Quantity</b>	<b>Description</b>
1	1050010066	100 set(s)	50 kVA, three-phase transformer, permanently sealed and completely oil filled system (without gas cushion) type, withstand short-circuit, 22,000-416/240V, symbol Dyn11
2	1050010067	150 set(s)	100 kVA, three-phase transformer, permanently sealed and completely oil filled system (without gas cushion) type, withstand short-circuit, 22,000-416/240V, symbol Dyn11
3	1050010068	25 set(s)	160 kVA, three-phase transformer, permanently sealed and completely oil filled system (without gas cushion) type, withstand short-circuit, 22,000-416/240V, symbol Dyn11
4	1050010069	15 set(s)	250 kVA, three-phase transformer, permanently sealed and completely oil filled system (without gas cushion) type, withstand short-circuit, 22,000-416/240V, symbol Dyn11

Only for 50-500 kVA transformers

PRELIMINARY



NO.	DESCRIPTION
1.	Lifting lugs
2.	Lifting eyes
3.	HV Bushing
4.	Thermometer pocket
5.	Pressure relief valve
6.	Off-load tap changer
7.	LV Bushing
8.	Support lugs (Only for 50-250 kVA transformers)
9.	Oil level gauge
10.	Oil filling plug
11.	Surge arrester(Polymer housing type)
12.	Bracket for surge arrester
13.	Earthing terminal for surge arrester
14.	Corrugated radiator
15.	Earthing terminal
16.	Sludge drain plug
17.	Oil drain valve
18.	Bird guard cap
19.	Transport rollers (Only for 315-500 kVA transformers)
20.	Cable lug

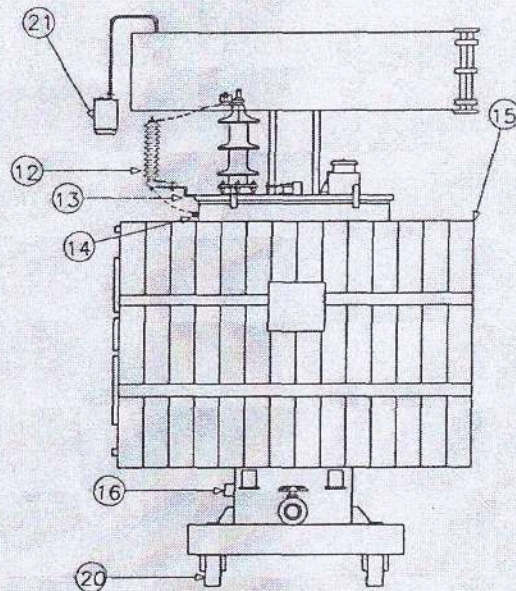
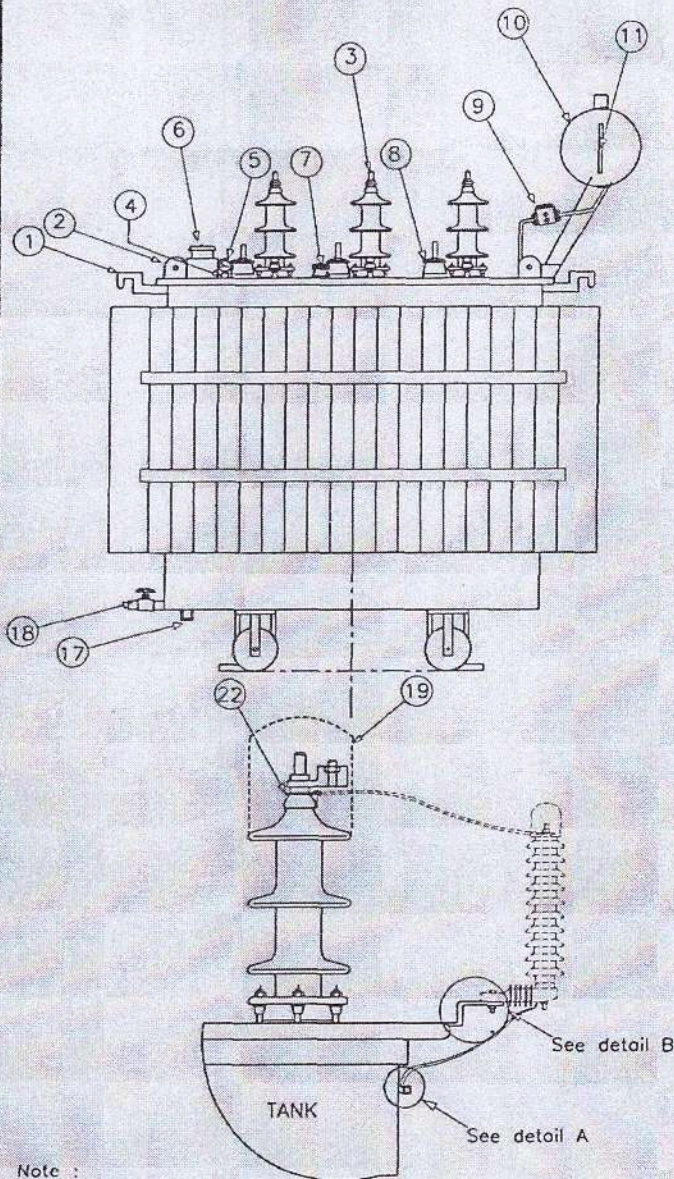
Note :

1. Surge arrester, line lead and ground lead, supplied by PEA
2. Earthing terminal for surge arrester shall be eye-bolt type or socket type.
3. Position of earthing terminal for surge arrester shall be suitable for flexible copper insulated ground lead size 16 sq.mm, 430 mm long.
4. Not to scale

กองมาตรฐานระบบไฟฟ้า ฝ่ายมาตรฐานและความปลอดภัย	การไฟฟ้าส่วนภูมิภาค	ใช้แทนแบบ..... ถูกแทนโดยแบบ.....
ผู้เขียน...บัณฑิต เพ็ญดา ผู้สำรวจ..... วิศวกร..... หัวหน้าแผนก..... ผู้อำนวยการกอง..... ผู้อำนวยการฝ่าย.....	ส่วนประกอบหม้อแปลงไฟฟ้า 3 เฟส	เขียนเสร็จวันที่ 8 มิ.ย. 2552 แก่แบบวันที่ 26 พ.ค. 2554 มีดีเป็น..... มาตรฐาน..... แบบเลขที่ SA4-015/50008 แผ่นที่ 1. ของจำนวน 4. แผ่น
DETAIL OF 3 PHASE TRANSFORMER		

Only for 630-2,000 kVA transformers

PRELIMINARY



NO.	DESCRIPTION
1.	Lifting lugs
2.	Lifting eyes
3.	HV Bushing
4.	Thermometer pocket
5.	Dial type thermometer (Only for 1,000-2,000 kVA transformers)
6.	Pressure relief valve
7.	Off-load tap changer
8.	LV Bushing
9.	Buchholz relay (Only for 1,000-2,000 kVA transformers)
10.	Conservator
11.	Oil level gauge
12.	Surge arrester(Polymer housing type)
13.	Bracket for surge arrester
14.	Earthing terminal for surge arrester
15.	Radiator
16.	Earthing terminal
17.	Sludge drain plug
18.	Oil drain valve
19.	Bird guard cap
20.	Transport rollers
21.	Dehydrating breather
22.	Cable lug

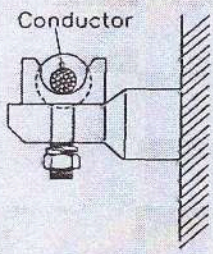
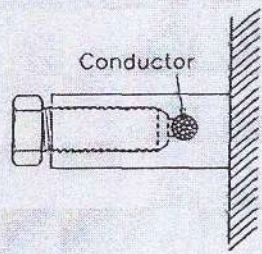
Note :

- Surge arrester, line lead and ground lead supplied by PEA
- Earthing terminal for surge arrester shall be eye-bolt type or socket type.
- Position of earthing terminal for surge arrester shall be suitable for flexible copper insulated ground lead size 16 sq.mm, 430 mm long.
- Only for 1,000-2,000 kVA transformers shall be furnished and equipped with :  
(a) Dial type thermometer with adjustable contact(s)  
(b) Double float Buchholz relay having two (2) contacts (for alarm and tripping)
- Not to scale

กองมาตรฐานระบบไฟฟ้า ฝ่ายมาตรฐานและความปลอดภัย	การไฟฟ้าส่วนภูมิภาค	ใช้แทนแบบ.....- ถูกแทนโดยแบบ.....-
ผู้เขียน... มนต์ทิศ เพ็ญตา..... ผู้สำรวจ..... วิศวกร..... หัวหน้าแผนก.....	ส่วนประกอบหม้อแปลงไฟฟ้า 3 เฟส	เขียนเสร็จวันที่ 8 มิ.ย. 2552 แก้แบบวันที่ 26 พ.ค. 2554 มิติเป็น... มิลลิเมตร..... มาตรฐานส่วน.....
ผู้อำนวยการกอง..... ผู้อำนวยการฝ่าย.....	DETAIL OF 3 PHASE TRANSFORMER	แบบเลขที่ SA4-015/50038 แผ่นที่ 2. ของจำนวน 4. แผ่น

PRELIMINARY

Detail A :

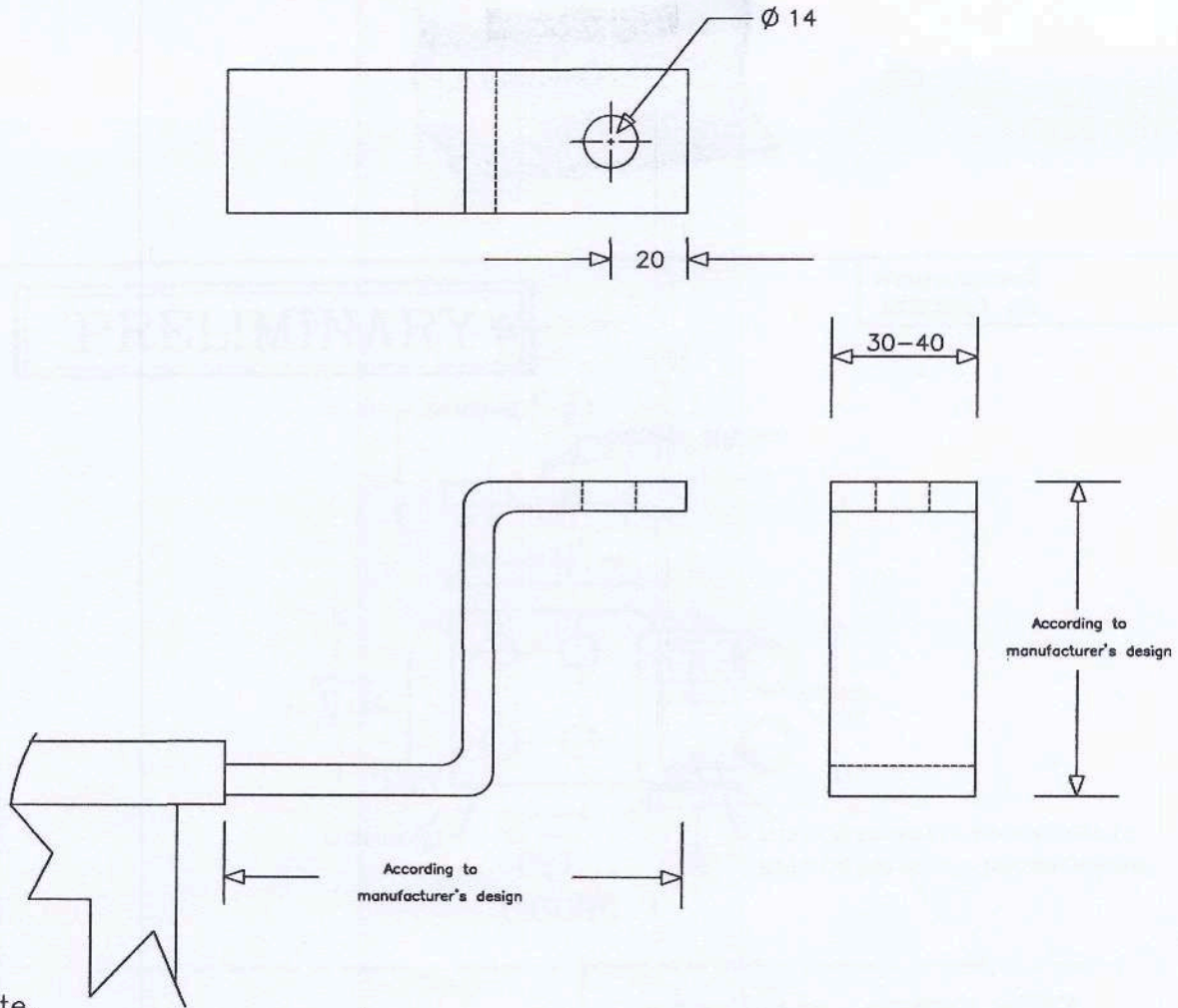
Type of earthing terminal for surge arrester	
 <p>eye-bolt type earthing terminal</p>	 <p>socket type earthing terminal</p>
<p><u>Description</u></p> <p>Eye-bolt type earthing terminal shall be with eye-bolt type connector suitable for flexible copper insulated ground lead size 16 sq.mm ; complete with lock washer of stainless steel or better</p>	<p><u>Description</u></p> <p>Socket type earthing terminal shall be with socket suitable for flexible copper insulated ground lead size 16 sq.mm ; complete with bolt of stainless steel or better for lock conductor</p>

กองมาตรฐานระบบไฟฟ้า ฝ่ายมาตรฐานและความปลอดภัย	<h2 style="margin: 0;">การไฟฟ้าส่วนภูมิภาค</h2>	ใช้แทนแบบ.....- ถูกแทนโดยแบบ.....-
ผู้เขียน... บัณฑิต เพ็ญตา..... ผู้สำรวจ..... วิศวกร.....	<h3 style="margin: 0;">ส่วนประกอบหม้อแปลงไฟฟ้า 3 เฟส</h3>	เขียนเสร็จวันที่ 8 มิ.ย. 2552 แก้ไขวันที่ 26 พ.ค. 2554 มิติเป็น... มิลลิเมตร มาตรฐาน.....-
หัวหน้าแผนก..... ผู้อำนวยการกอง..... ผู้อำนวยการฝ่าย.....	<h3 style="margin: 0;">DETAIL OF 3 PHASE TRANSFORMER</h3>	แบบเลขที่ SA4-015/50008 แผ่นที่ 3. ของจำนวน 4 แผ่น

PRELIMINARY

Detail B :

Detail of mounting bracket for surge arrester



Note.

1. Material of mounting bracket shall be stainless steel or painted with RAL gray color. And paint system shall be system No. A.3.08, according to table A.3 ISO12944-5 which the total thickness not less than 160 um.
2. Shape and dimension of mounting bracket, unless specified shall be according to manufacturer's design.
3. The mounting bracket shall be designed to support up to 8 kg surge arrester.

กองข้อกำหนดทางเทคนิค ฝ่ายวิศวกรรม	การไฟฟ้าส่วนภูมิภาค	ใช้แทนแบบ..... ถูกแทนโดยแบบ.....
ผู้เขียนนาถส์ชา เติมแพงพันธ์ ผู้สำรวจ..... วิศวกร... <i>hcn</i> ~ หัวหน้าแผนก... <i>2.2km (11km)</i>	ส่วนประกอบหม้อแปลง 3 เฟส สำหรับข้างซ่อม	เขียนเสร็จวันที่ 26 พ.ค. 2554 แก่แบบวันที่ 21 พ.ย. 2561 มิติเป็น... มิลลิเมตร
ผู้อำนวยการกอง... <i>๒</i> ผู้อำนวยการฝ่าย... <i>๒</i>	DETAIL OF REPAIRED 3 PHASE TRANSFORMER	มาตรฐานส่วน..... แบบเลขที่ SA4-015/50008 แผ่นที่ 4. ของจำนวน 4. แผ่น

PRELIMINARY

การประกอบเลขที่  
ASSEMBLY NO.

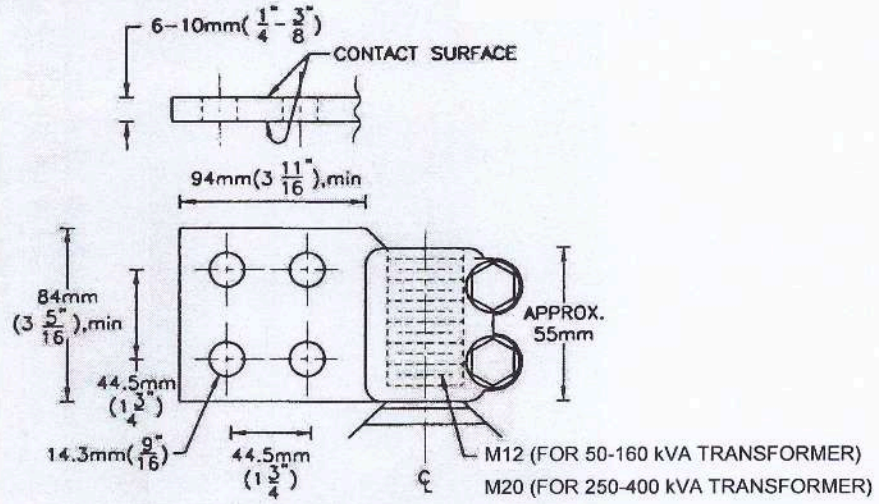


FIGURE 1

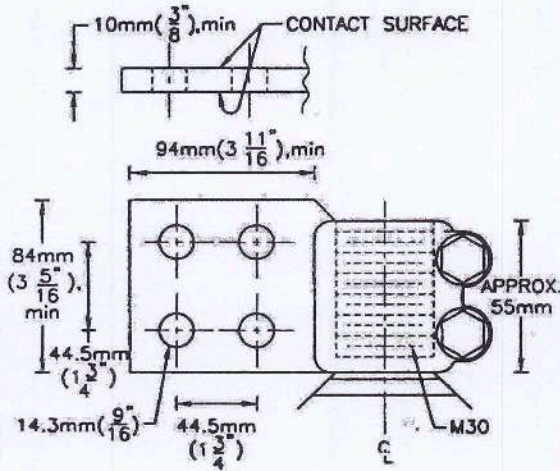


FIGURE 2

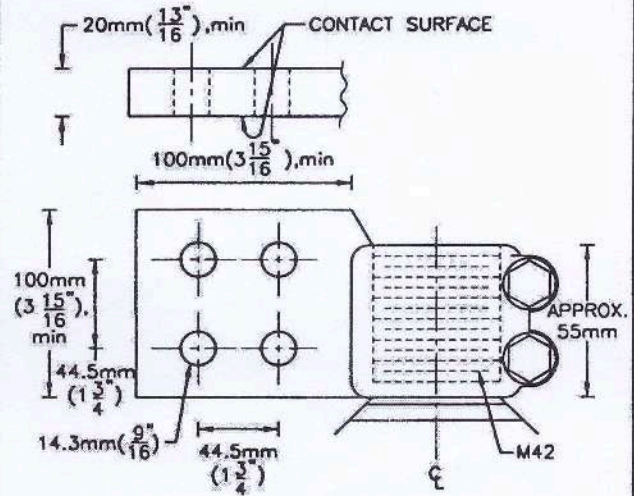


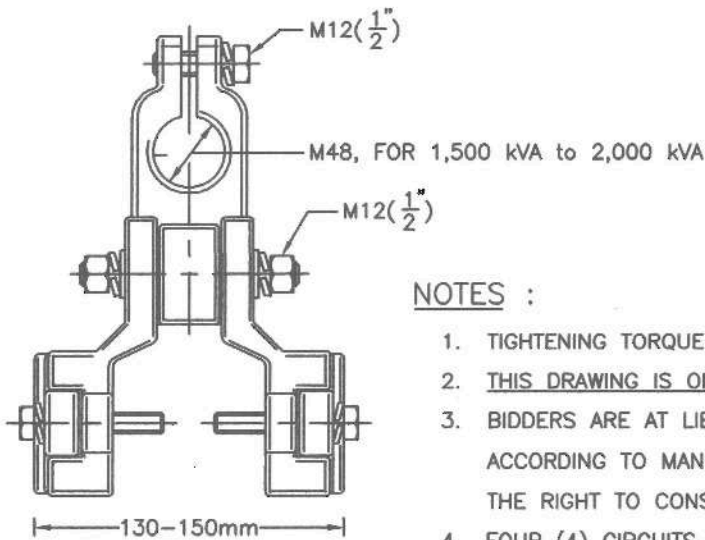
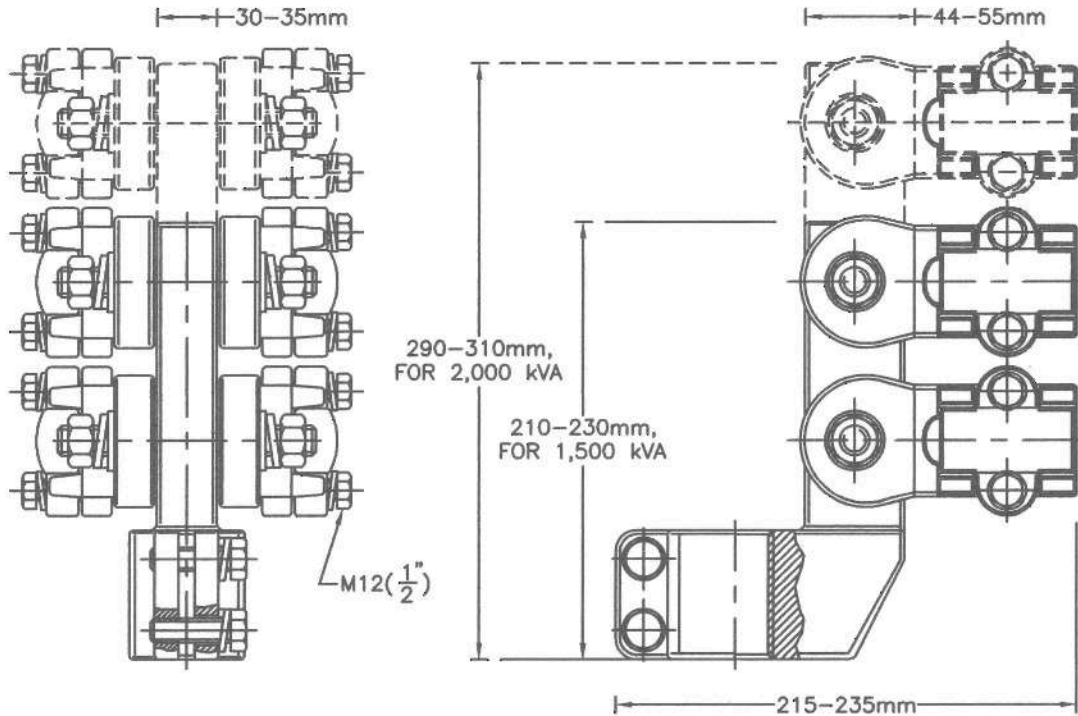
FIGURE 3

NOTES :

1. FIGURE 1 FOR 50-160 kVA TRANSFORMER
2. FIGURE 1 FOR 250-400 kVA TRANSFORMER
3. FIGURE 2 FOR 500-630 kVA TRANSFORMER
4. FIGURE 3 FOR 800-1,250 kVA TRANSFORMER

กองมาตรฐานระบบไฟฟ้า ฝ่ายมาตรฐานและความปลอดภัย	การไฟฟ้าส่วนภูมิภาค	ใช้แทนแบบ SA2-015/28006 SA2-015/29013 SA4-015/45002 ถูกแทนโดยแบบ .....
ผู้เขียน <i>Supphakol Boonruang</i> ผู้สำรวจ..... วิศวกร..... หัวหน้าแผนก..... ผู้อำนวยการกอง..... ผู้อำนวยการฝ่าย.....	ผู้ว่าการ.....  รายละเอียดของข้อต่อสายแรงต่ำสำหรับ หม้อแปลงไฟฟ้า สามเฟส 50-1,250 kVA	เขียนเสร็จวันที่ 19 พ.ย. 2547 นักแบบวันที่ ..... มิติเป็น ..... มิลลิเมตร ..... มาตรฐาน.....
รองหัวหน้าการวางแผน และพัฒนาระบบไฟฟ้า	DETAIL OF L.V. TERMINAL PADS FOR 50-1,250 kVA THREE-PHASE TRANSFORMER	แบบเลขที่ SA4-015/47002 แผ่นที่ 1 ของจำนวน 2 แผ่น

PRELIMINARY



NOTES :

1. TIGHTENING TORQUE LEVEL OF BOLTS M12(1/2) : 5.5 kgf-m
2. THIS DRAWING IS ONLY GUIDING (NOT COMPELLING).
3. BIDDERS ARE AT LIBERTY TO QUOTE THE CONNECTOR ACCORDING TO MANUFACTURER'S DESIGN, BUT PEA RESERVES THE RIGHT TO CONSIDER.
4. FOUR (4) CIRCUITS FOR 1,500 kVA TRANSFORMER
5. SIX (6) CIRCUITS FOR 2,000 kVA TRANSFORMER

not to scale

กองข้อกำหนดทางเทคนิค ฝ่ายวิศวกรรม	การไฟฟ้าส่วนภูมิภาค	SA4-015/28006 SA4-015/29013 ใช้แทนแบบ.....SA4-015/45002.....
ผู้เขียน..... นาดสุชา ผู้สำรวจ..... วิศวกร..... นพิต หัวหน้าแผนก..... Bunletcom	รายละเอียดของขั้วต่อสายแรงต่ำสำหรับ หม้อแปลงไฟฟ้า สามเฟส 1,500-2,000 kVA	ถูกแทนโดยแบบ..... เขียนเสร็จวันที่...19.พ.ย. 47... แก้แบบวันที่...12.พ.ย. 62... มิติเป็น...มิลลิเมตร..... มาตราส่วน.....
ผู้อำนวยการกอง..... ผู้อำนวยการฝ่าย.....	DETAIL OF L.V. TERMINAL PADS FOR 1,500-2,000 kVA THREE-PHASE TRANSFORMER	แบบเลขที่ SA4-015/47002... แผ่นที่ 2 ของจำนวน 2...แผ่น Issued by SmartSpec Date. 20/11/23

### คุณสมบัติพัสดุเพิ่มเติม

1. ผลิตภัณฑ์ที่เสนอต้องผลิตจากโรงงานที่ได้รับการรับรองระบบคุณภาพของกระบวนการผลิตตามมาตรฐาน ISO 9001

2. สำหรับพัสดุตามตารางดังต่อไปนี้ ผลิตภัณฑ์ที่เสนอจะต้องเป็นผลิตภัณฑ์ที่ได้รับใบอนุญาตแสดงเครื่องหมายมาตรฐานผลิตภัณฑ์อุตสาหกรรม (มอก.) เท่านั้น

ที่	พัสดุ	สเปคเลขที่	มอก.เลขที่ <sup>(1)</sup>
1	พัสดุกุ่มมิเตอร์ 1 เฟส		
1.1	มิเตอร์จานหมุน 1 เฟส	RMTR-005/2554	มอก. 2336-2552
1.2	มิเตอร์อิเล็กทรอนิกส์ 1 เฟส	RMTR-038/2563	มอก. 2543-2555
1.3	สมาร์ตมิเตอร์ 1 เฟส	RMTR-033/2560	
2	พัสดุกุ่มหม้อแปลงไฟฟ้าสำหรับระบบจำหน่าย		
2.1	หม้อแปลงไฟฟ้าสำหรับระบบจำหน่าย 1 เฟส	RTRN-047/2561	มอก. 384-2543
2.2	หม้อแปลงไฟฟ้าสำหรับระบบจำหน่าย 3 เฟส	RTRN-035/2558	
		RTRN-035/2561	
3	พัสดุกุ่มลูกถ้วยไฟฟ้าแรงสูง <sup>(2)</sup>		
3.1	ลูกถ้วยแห้ง (Line-post type) ชนิด 57-2 และ 57-4	RINS-002/2561	มอก. 1077-2535
3.2	ลูกถ้วยแห้งก้านตรง (Pin-post type) ชนิด 56/57-2 และ 56/57-4		มอก. 1251-2537
3.3	ลูกถ้วยแห้ง (Line-post type) ชนิด 57-3	RINS-005/2551	มอก. 1077-2535
3.4	ลูกถ้วยแห้งก้านตรง (Pin-post type) ชนิด 56/57-3		มอก. 1251-2537
4	พัสดุกุ่มสายไฟ		
4.1	สายเคเบิลใต้ดินทองแดง 115 เควี	RCBL-015/2552	มอก. 2202-2547
4.2	สายเคเบิลใต้ดินทองแดง 22 และ 33 เควี	RCBL-035/2554	มอก. 2143-2546
4.3	สายทองแดงทีเกลียวหุ้มฉนวน XLPE และเปลือกนอก PE (CV)	RCBL-043/2554	
4.4	สายทองแดง NYY	RCBL-030/2551	มอก. 11-2553
4.5	สายอลูมิเนียมทีเกลียวชนิดอัดแน่นหุ้มฉนวน PVC	R-828/2544	มอก. 293-2541
4.6	สายอลูมิเนียมเปลือย	RCBL-039/2551	มอก. 85-2548
5	พัสดุกุ่มกับดักฟ้าผ่า		
5.1	กับดักฟ้าผ่าแรงสูง 22 – 33 เควี	RPRO-006/2561	มอก. 2366-2551

หมายเหตุ <sup>(1)</sup> ไม่บังคับใช้ หากสำนักงานมาตรฐานผลิตภัณฑ์อุตสาหกรรม (สมอ.) ประกาศใช้มาตรฐานฉบับที่ใหม่กว่ามาตรฐานที่ระบุไว้ในตารางข้างต้น

<sup>(2)</sup> ในส่วนของลูกถ้วยแขวน (Suspension type) ปัจจุบันยังไม่มีผู้ผลิตที่ได้รับใบอนุญาตแสดงเครื่องหมายแสดงมาตรฐาน มอก. 2623 เล่ม 2(1) และ มอก. 2623 เล่ม 2(2)

ทั้งนี้ ผู้ยื่นข้อเสนอจะต้องยื่นหนังสือรับรองระบบคุณภาพของกระบวนการผลิตตามมาตรฐาน ISO 9001 ของผู้ผลิต และใบอนุญาตแสดงเครื่องหมายผลิตภัณฑ์อุตสาหกรรม (มอก.) มาพร้อมกับการยื่นข้อเสนอ



## รายละเอียดเพิ่มเติมการจัดซื้อหม้อแปลงไฟฟ้าระบบจำหน่าย

ผู้ที่ได้รับการสั่งซื้อ จะต้องยินยอมให้การไฟฟ้าส่วนภูมิภาคตรวจสอบการผลิตและการทดสอบหม้อแปลงไฟฟ้าระบบจำหน่ายที่ผลิตภายในประเทศ โดยมีรายละเอียดและขั้นตอนที่ผู้ได้รับการสั่งซื้อต้องปฏิบัติ ดังนี้

๑. กำหนดให้เป็นหน้าที่ของผู้ชนะการเสนอราคา ที่จะต้องจัดให้คณะกรรมการตรวจสอบการผลิตและการทดสอบ เข้าตรวจสอบการผลิตหม้อแปลงระบบจำหน่ายใน Lot ที่จะส่งมอบต่อการไฟฟ้าส่วนภูมิภาคชั้นหนึ่งก่อน เพื่อคณะกรรมการจะได้กลิ่นกรองคุณภาพในขั้นต้น ซึ่งหากพบข้อบกพร่องที่จะต้องแก้ไข ก็จะได้แก้ไขได้โดยง่าย เพราะยังอยู่ในระหว่างการผลิต

๒. คณะกรรมการตรวจสอบการผลิตและการทดสอบมีอำนาจที่จะสั่งให้ ผู้ชนะการเสนอราคาหรือผู้ผลิตแก้ไขข้อบกพร่องได้ทันทีที่พบข้อบกพร่องในขณะตรวจสอบการผลิตและการทดสอบ โดยแจ้งให้ผู้ชนะการเสนอราคาทราบเพื่อดำเนินการแก้ไข

๓. ชนิดหม้อแปลงที่จะตรวจสอบ รายละเอียดการตรวจสอบการผลิต และการทดสอบ

๓.๑ ชนิดหม้อแปลง ก. หม้อแปลงไฟฟ้า ๑ เฟส ระบบ ๑๙ เควี

ข. หม้อแปลงไฟฟ้า ๑ เฟส ระบบ ๒๒ เควี

ค. หม้อแปลงไฟฟ้า ๓ เฟส ระบบ ๒๒ เควี

ง. หม้อแปลงไฟฟ้า ๓ เฟส ระบบ ๓๓ เควี

๓.๒ รายละเอียดการตรวจสอบ สายการผลิตและการทดสอบ

ก. ตรวจสอบวัตถุดิบ (Material) ที่นำเข้าไปใช้ในสายการผลิตของอุปกรณ์

หลักๆ ให้เป็นไปตามสัญญา ดังนี้

- Bushing
- Terminal connectors
- Magnetic path (core)
- Copper
- Tap changer
- Transformer oil

ข. ตรวจสอบกรรมวิธีการผลิต (Process) ให้เป็นไปตามมาตรฐาน หรือสัญญา ดังนี้

- Transformer tank
- Coil forming (การพันขดลวด)
- Core forming (การประกอบแกนเหล็ก)

ค. ตรวจสอบการทดสอบรายการ Routine tests ให้เป็นไปตามมาตรฐาน โดยการสุ่มตัวอย่างหม้อแปลง เพื่อดำเนินการทดสอบตามหลักเกณฑ์ที่การไฟฟ้าส่วนภูมิภาคกำหนด

ง. ตรวจสอบการทดสอบรายการ Type test (ยกเว้นรายการทดสอบ Temperature rise test) ให้เป็นไปตามมาตรฐานที่กำหนด ส่วนการทดสอบ Temperature rise test เนื่องจากต้องใช้เวลาในการทดสอบเป็นเวลานาน ไม่อาจจะ witness ที่โรงงานของผู้ผลิตได้ ให้ดำเนินการสุ่มตัวอย่างหม้อแปลงจำนวน ๑ ตัวอย่าง ของแต่ละแบบขนาดระบบแรงดันในแต่ละสัญญามาทดสอบที่ การไฟฟ้าส่วนภูมิภาค

๔. กรณีผู้ชนะการเสนอราคาไม่ได้จัดให้คณะกรรมการตรวจสอบการผลิตและการทดสอบเข้าตรวจสอบการผลิตขั้นต้นก่อนส่งมอบใน Lot ใด หรือไม่ยอมแก้ไขข้อบกพร่องตามที่คณะกรรมการฯ แจ้งให้แก้ไข คณะกรรมการตรวจรับพัสดุ สงวนสิทธิ์ที่จะปฏิเสธการรับหม้อแปลง Lot นั้นๆ ได้

๕. การตรวจสอบในขั้นต้นของคณะกรรมการตรวจสอบการผลิตและการทดสอบ นั้น จะไม่ถือว่าเป็นการตรวจรับ หม้อแปลงใน Lot นั้นๆ จนกว่าจะมีการส่งมอบและตรวจรับของตามสัญญาอย่างถูกต้อง โดยให้คณะกรรมการฯ เป็นผู้สุ่มหม้อแปลงที่จะทดสอบในการตรวจรับ ให้คณะกรรมการตรวจรับด้วย

๖. คณะกรรมการตรวจสอบการผลิตและการทดสอบ มีสิทธิ์เลือกสุ่ม หรือนำหม้อแปลงที่อยู่ระหว่างการผลิตมาทดสอบ และหากหม้อแปลงนั้นต้องชำรุดหรือเสียหายจากการทดสอบคุณภาพ ผู้ผลิตจะต้องไม่เรียกค่าเสียหายใดๆ ทั้งสิ้น

๗. ความล่าช้าอันเนื่องมาจากเหตุตามข้อ ๔ ผู้ชนะการเสนอราคาจะถือเป็นเหตุยกเว้นความรับผิดชอบในการส่งมอบหม้อแปลงตามกำหนดเวลาในสัญญา มิได้

๘. เพื่อขจัดปัญหาข้อขัดแย้งเกี่ยวกับคุณภาพการผลิตและการทดสอบ ซึ่งอาจเกิดขึ้นระหว่างคณะกรรมการฯ กับผู้ชนะการเสนอราคา ให้ถือผลการทดสอบของ กองหม้อแปลง การไฟฟ้าส่วนภูมิภาค เป็นข้อยุติ

## เงื่อนไขทั่วไปประกอบการจัดซื้อพัสดุ

ผู้ยื่นข้อเสนอ จะต้องปฏิบัติตามเงื่อนไขประกอบการจัดซื้อพัสดุดังนี้

ข้อ 1 “ผู้ยื่นข้อเสนอจะต้องยื่นเอกสารทางเทคนิค เช่น แค็ตตาล็อก แบบรูป (Drawings) รายงานผลการทดสอบเฉพาะแบบ (Type test reports) หรือเอกสารอื่นๆ ตามที่ได้ระบุไว้ในรายละเอียดสเปค (Specification) ให้ครบถ้วนพร้อมกับการยื่นข้อเสนอ โดยเอกสารทางเทคนิคดังกล่าวจะต้องเป็นภาพสีเหมือนกับเอกสารต้นฉบับ และต้องเป็นภาษาไทยหรือภาษาอังกฤษเท่านั้น สำหรับเอกสารทางเทคนิคที่ผู้ยื่นข้อเสนอจะต้องกรอก รายละเอียดในแบบฟอร์มของ การไฟฟ้าส่วนภูมิภาค ให้ใช้วิธีการพิมพ์เท่านั้น การไฟฟ้าส่วนภูมิภาค ขอสงวน สิทธิที่จะไม่รับพิจารณาผู้ยื่นข้อเสนอที่ยื่นเอกสารทางเทคนิคไม่ครบถ้วน หรือไม่ปฏิบัติตามที่ระบุข้างต้น

ข้อ 2 การไฟฟ้าส่วนภูมิภาค จะพิจารณาเฉพาะเอกสารทางเทคนิค เช่น แค็ตตาล็อก แบบรูป (Drawings) รายงานผลการทดสอบเฉพาะแบบ (Type test reports) หรือเอกสารอื่นๆ ที่ระบุผลิตภัณฑ์ เป็นแบบ (Type) หรือเป็นรุ่น (Model) ที่ตรงกับที่ผู้ยื่นข้อเสนอระบุไว้ในรายการที่เสนอราคาเท่านั้น เว้นแต่ รายละเอียดสเปค (Specification) ระบุความต้องการเอกสารทางเทคนิคไว้เป็นอย่างอื่น

ข้อ 3 สำหรับพัสดุดูอุปกรณ์ที่ การไฟฟ้าส่วนภูมิภาค กำหนดให้ใช้เกณฑ์ราคาประกอบเกณฑ์อื่น (Price-performance) ในการพิจารณาจัดซื้อ ผู้ยื่นข้อเสนอที่ยื่นผลิตภัณฑ์ที่มีคุณสมบัติเป็นไปตามเกณฑ์อื่นในแต่ละ รายการ และมีความประสงค์ที่จะให้ การไฟฟ้าส่วนภูมิภาค คิดคะแนนในส่วนของเกณฑ์อื่นดังกล่าว เพื่อประกอบการพิจารณาจัดซื้อนั้น ผู้ยื่นข้อเสนอจะต้องยื่นเอกสารแสดงคุณสมบัติในแต่ละเกณฑ์ที่ถูกต้อง และ ครบถ้วนมาพร้อมกับการยื่นข้อเสนอ หากการไฟฟ้าส่วนภูมิภาคตรวจสอบแล้วพบว่าเอกสารแสดงคุณสมบัติ ดังกล่าวไม่ถูกต้อง หรือไม่ครบถ้วน การไฟฟ้าส่วนภูมิภาค ขอสงวนสิทธิที่จะพิจารณาไม่ให้คะแนนในแต่ละเกณฑ์ นั้นๆ

ทั้งนี้รายการพัสดุดูอุปกรณ์ที่การไฟฟ้าส่วนภูมิภาคกำหนดให้ใช้เกณฑ์ราคาประกอบเกณฑ์อื่นใน การพิจารณาจัดซื้อ รวมถึงสัดส่วนการคิดคะแนนระหว่างเกณฑ์ราคา และเกณฑ์อื่นจะถูกกำหนดไว้ในเอกสารที่ เกี่ยวข้อง”

ข้อ 4 กรณีการจัดซื้ออุปกรณ์ไฟฟ้าหลักสำหรับติดตั้งใช้งานในระบบสายส่ง 115 kV และระบบจำหน่าย 22 kV และ 33 kV อันได้แก่ หม้อแปลงไฟฟ้า รีโวลลเซอร์ เซอร์กิตเบรกเกอร์ อุปกรณ์ป้องกัน สวิตช์ อุปกรณ์ตัด ตอน ลูกถ้วยไฟฟ้า สายไฟฟ้า หม้อแปลงกระแส (Current transformers) หม้อแปลงแรงดัน (Voltage transformers) รวมถึง มิเตอร์สำหรับวัดพลังงานไฟฟ้า การไฟฟ้าส่วนภูมิภาคขอสงวนสิทธิที่จะส่งเจ้าหน้าที่ของ การไฟฟ้าส่วนภูมิภาค หรือผู้แทนที่ได้รับการแต่งตั้งจากการไฟฟ้าส่วนภูมิภาคเข้าไปตรวจสอบกระบวนการผลิต และการควบคุมคุณภาพ ณ โรงงานผู้ผลิตก่อนการส่งมอบ โดยการไฟฟ้าส่วนภูมิภาคจะเป็นผู้ออกค่าใช้จ่ายในการ เดินทาง และเบี้ยเลี้ยงของเจ้าหน้าที่ฯ หรือค่าจ้างผู้แทนฯ เท่านั้น

ข้อ 5 การจัดซื้อหม้อแปลงไฟฟ้าสำหรับระบบจำหน่าย ผู้ที่ได้รับการสั่งซื้อต้องยินยอมให้ การไฟฟ้า ส่วนภูมิภาค หรือผู้แทนที่ได้รับการแต่งตั้งจากการไฟฟ้าส่วนภูมิภาคเข้าไปตรวจสอบกระบวนการผลิต การควบคุมคุณภาพ และการทดสอบ ณ โรงงานผู้ผลิตก่อนการส่งมอบ โดยมีรายละเอียดและขั้นตอนที่ผู้ได้รับ การสั่งซื้อ ต้องปฏิบัติตามเอกสารแนบจำนวน 2 แผ่น โดยการไฟฟ้าส่วนภูมิภาคจะเป็นผู้ออกค่าใช้จ่ายใน การเดินทาง และเบี้ยเลี้ยงของเจ้าหน้าที่ฯ หรือค่าจ้างผู้แทนฯ เท่านั้น

ข้อ 6 กรณีพัสดุที่จะจัดซื้อเป็นรายการที่ ได้รับการรับรองตามกระบวนการ PEA Product Acceptance การไฟฟ้าส่วนภูมิภาคจะดำเนินการดังนี้

6.1 ในการพิจารณาทางเทคนิค หากผู้ยื่นข้อเสนอ เสนอผลิตภัณฑ์ที่ได้รับการรับรองตาม กระบวนการ PEA Product Acceptance ที่ยังไม่หมดอายุการรับรอง ให้แนบใบรับรองฯ ของการไฟฟ้า ส่วนภูมิภาค พร้อมเอกสารประกอบการเสนอราคา โดยไม่ต้องยื่นเอกสารทางเทคนิคอื่นๆ และคณะกรรมการ พิจารณาผลฯ ไม่ต้องพิจารณาเอกสารทางเทคนิค โดยให้ยึดตามใบรับรองฯ เท่านั้น

6.2 ในขั้นตอนการตรวจรับพัสดุที่จัดซื้อ หากพัสดुरายการใดเป็นพัสดุที่ไม่ได้รับการรับรองตาม กระบวนการ PEA Product Acceptance ให้คณะกรรมการตรวจรับฯ ดำเนินการตรวจรับพัสดุดังกล่าวตาม ขั้นตอน และวิธีการตรวจรับพัสดุของ การไฟฟ้าส่วนภูมิภาคที่บังคับใช้อยู่ ณ ปัจจุบัน

ทั้งนี้ หากพัสดुरายการใดได้รับการรับรองตามกระบวนการ PEA Product Acceptance ที่ยังไม่หมดอายุ การรับรองให้คณะกรรมการตรวจรับฯ ใช้เอกสารผลการทดสอบคุณภาพผลิตภัณฑ์จากผู้ผลิต และ Product DNA (เอกสารที่ช่วยในการตรวจสอบและคัดกรองผลิตภัณฑ์ในเบื้องต้น ซึ่งประกอบด้วยข้อมูล Type test และรูปภาพ ส่วนประกอบต่างๆ ของผลิตภัณฑ์) เพื่อประกอบการตรวจรับพัสดุดังกล่าว โดยไม่ต้องสุ่มทดสอบอีก

6.3 ผู้ชนะการเสนอราคา หรือ คู่สัญญา จะต้องยื่นเอกสารแผนการผลิตและการควบคุม คุณภาพการผลิตให้ การไฟฟ้าส่วนภูมิภาค ซึ่งการไฟฟ้าส่วนภูมิภาคขอสงวนสิทธิ์ในการเข้าตรวจสอบในขั้นตอน การผลิต (In Process) หรือให้ผู้แทน รวมถึงหน่วยตรวจประเมินที่การไฟฟ้าส่วนภูมิภาค ให้การรับรองเข้า ดำเนินการดังกล่าว โดยค่าใช้จ่ายที่เกิดขึ้นเป็นของการไฟฟ้าส่วนภูมิภาค หากต้องการตรวจสอบซ้ำเนื่องจาก การตรวจสอบครั้งแรกไม่เป็นไปตามเงื่อนไข หรือหลักเกณฑ์ที่ การไฟฟ้าส่วนภูมิภาคกำหนด ผู้ชนะการเสนอ ราคา หรือ คู่สัญญาต้องเป็นผู้รับผิดชอบค่าใช้จ่ายที่เกิดขึ้นทั้งหมด

ข้อ 7 กรณีผู้ยื่นข้อเสนอ เสนอผลิตภัณฑ์ที่เป็นเซอร์กิตเบรกเกอร์ สวิตช์ และอุปกรณ์ตัดตอนในระบบ จำหน่าย ผู้ยื่นข้อเสนอจะต้องดำเนินการ ดังนี้

7.1 เซอร์กิตเบรกเกอร์ ที่จะจัดซื้อตั้งแต่ระบบ 22 kV ขึ้นไป จะต้องมีความสมบัติเป็นไป ตามรายละเอียดสเปค (Specifications) ของการไฟฟ้าส่วนภูมิภาค และต้องมีคุณสมบัติข้อใดข้อหนึ่ง ดังนี้

7.1.1 ผลิตโดยผู้ผลิตที่มีประสบการณ์ในการผลิตอุปกรณ์ประเภทดังกล่าวมาแล้ว ไม่น้อยกว่า 3 ปี และต้องเคยติดตั้งใช้งานโดยไม่มีปัญหาในสถานีไฟฟ้าของภาครัฐ และหรือเอกชนในประเทศที่ เชื่อถือได้ มาแล้วไม่น้อยกว่า 1 แห่ง โดยกรณีนี้ ผู้ยื่นข้อเสนอ จะต้องยื่นเอกสารแสดงประวัติการขาย (Reference List) หรือ หนังสือรับรองจากลูกค้า มาพร้อมกับการยื่นข้อเสนอ หรือ

7.1.2 เป็นผลิตภัณฑ์ที่ผ่านการขึ้นทะเบียนกับการไฟฟ้าส่วนภูมิภาคแล้ว ได้แก่ การขึ้นทะเบียน PEA Product Acceptance หรือ PEA Product list หรือการขึ้นทะเบียนอื่นๆ ที่ การไฟฟ้า ส่วนภูมิภาคกำหนด โดยกรณีนี้ ผู้ยื่นข้อเสนอ จะต้องยื่นหนังสือรับรองการขึ้นทะเบียนที่ ยังไม่หมดอายุ มาพร้อม กับการยื่นข้อเสนอ หรือ

7.1.3 เป็นผลิตภัณฑ์ที่ผ่านการทดลองติดตั้งใช้งานในระบบของการไฟฟ้าส่วนภูมิภาค สำนักงานใหญ่แล้ว โดยกรณีนี้ ผู้ยื่นข้อเสนอจะต้องยื่นเอกสารรับรองการผ่านการทดลองติดตั้งใช้งานจาก การไฟฟ้าส่วนภูมิภาค มาพร้อมกับการยื่นข้อเสนอ

7.2 สวิตช์ และอุปกรณ์ตัดตอนในระบบจำหน่ายที่จะจัดซื้อ ตั้งแต่ระบบ 22 kV ขึ้นไป อันได้แก่ Dropout fuse cutout, Disconnecting switches, Air break switches, Remote controlled switches (SF<sub>6</sub>, gas load break switches), Automatic switching equipment for switching power capacitor bank และ Recloser จะต้องมีความสมบัติเป็นไปตามรายละเอียดสเปค (Specifications) ของการไฟฟ้า ส่วนภูมิภาค และต้องมีคุณสมบัติข้อใดข้อหนึ่ง ดังนี้

7.2.1 ผลิตโดยผู้ผลิตที่มีประสบการณ์ในการผลิตอุปกรณ์ประเภทดังกล่าวมาแล้ว ไม่น้อยกว่า 3 ปี และต้องเคยติดตั้งใช้งานในระบบจำหน่ายมาแล้วไม่น้อยกว่า 400 ชุด โดยกรณีนี้ ผู้ยื่นข้อเสนอ ชื่อ ปรับปรุงตามอนุมัติ ผวก. ลว.๒๗ พ.ค.๒๕๖๔

จะต้องยื่นเอกสารแสดงประวัติการขาย (Reference List) หรือ หนังสือรับรองจากลูกค้า มาพร้อมกับการยื่นข้อเสนอ หรือ

7.2.2 เป็นผลิตภัณฑ์ที่ผ่านการขึ้นทะเบียนกับการไฟฟ้าส่วนภูมิภาคแล้ว ได้แก่ การขึ้นทะเบียน PEA Product Acceptance หรือ PEA Product List หรือการขึ้นทะเบียนอื่นๆ ที่การไฟฟ้าส่วนภูมิภาคกำหนด โดยกรณีนี้ ผู้ยื่นข้อเสนอ จะต้องยื่นหนังสือรับรองการขึ้นทะเบียนที่ยังไม่หมดอายุ มาพร้อมกับการยื่นข้อเสนอ หรือ

7.2.3 เป็นผลิตภัณฑ์ที่ผ่านการทดลองติดตั้งใช้งานในระบบของการไฟฟ้าส่วนภูมิภาค สำนักงานใหญ่แล้ว โดยกรณีนี้ ผู้ยื่นข้อเสนอจะต้องยื่นเอกสารรับรองการผ่านการทดลองติดตั้งใช้งานจากการไฟฟ้าส่วนภูมิภาคมาพร้อมกับการยื่นข้อเสนอ

7.3 ผู้ยื่นข้อเสนอสามารถเสนอขายเซอร์กิตเบรกเกอร์ สวิตช์หรืออุปกรณ์ตัดตอนในระบบจำหน่าย จากผู้ผลิตที่ไม่มีคุณสมบัติตามที่ระบุไว้ในข้อ 7.1 หรือ 7.2 ดังกล่าวได้ แต่ต้องเป็นผู้ที่ผลิตภายใต้ใบอนุญาต (License) และจะต้องประทับตราเครื่องหมายการค้า (Brand-Name or Trade-mark) เดิมของผู้ให้ใบอนุญาต (Licensor) โดยผู้ให้ใบอนุญาต (Licensor) จะต้องมีความสอดคล้องตามข้อ 7.1.1 หรือ 7.2.1 แล้วแต่กรณี

โดยกรณีนี้ผู้ผลิตภายใต้ใบอนุญาตจะต้องทำการทดสอบเฉพาะแบบ (Design or Type tests) เซอร์กิตเบรกเกอร์ สวิตช์ หรืออุปกรณ์ตัดตอนในระบบจำหน่ายตามมาตรฐานที่กำหนดไว้ในรายละเอียดสเปค (Specification) ใหม่ทั้งหมด

ทั้งนี้ ผู้ยื่นข้อเสนอต้องยื่นใบอนุญาต (License) ที่ยังไม่หมดอายุ มาพร้อมกับเอกสารแสดงประวัติการขาย (Reference List) หรือ หนังสือรับรองจากลูกค้า ของผู้ให้ใบอนุญาต (Licensor) มาพร้อมกับการยื่นข้อเสนอ

7.4 หากผู้ยื่นข้อเสนอ เสนอรายละเอียดไม่เป็นไปตามข้อ 7.1, 7.2 และ 7.3 ข้างต้น การไฟฟ้าส่วนภูมิภาคสงวนสิทธิที่จะไม่จัดซื้อ

ข้อ 8 กรณีที่อุปกรณ์ไฟฟ้าหลักสำหรับติดตั้งใช้งานในระบบสายส่ง 115 kV และระบบจำหน่าย 22 kV และ 33 kV อันได้แก่ หม้อแปลงไฟฟ้า รีโกลสเซอร์ เซอร์กิตเบรกเกอร์ อุปกรณ์ป้องกัน สวิตช์ อุปกรณ์ตัดตอน ลูกถ้วยไฟฟ้า สายไฟฟ้า หม้อแปลงกระแส (Current transformers) หม้อแปลงแรงดัน (Voltage transformers) รวมถึงมิเตอร์งานหมუნชนิด 1 เฟส และ 3 เฟสสำหรับวัดพลังงานไฟฟ้า ผลิตภัณฑ์ใดก็ตามที่ การไฟฟ้าส่วนภูมิภาค จัดซื้อในแต่ละสัญญา และติดตั้งใช้งานภายในระยะเวลา 2 ปี นับจากวันที่ การไฟฟ้าส่วนภูมิภาค มีหนังสือแจ้งผลการตรวจรับงวดสุดท้าย หรือภายในระยะเวลาอื่นตามที่รายละเอียดสเปค (Specification) กำหนด มีสถิติการชำรุดอันเนื่องมาจากคุณภาพของผลิตภัณฑ์ เกินกว่าเกณฑ์ที่กำหนดไว้ในรายละเอียดสเปค (Specification) หรือกำหนดไว้ในเงื่อนไขอื่นๆ ในขอบเขตของงาน (TOR) หรือกำหนดไว้ในสัญญาจัดซื้อ การไฟฟ้าส่วนภูมิภาคจะตัดสิทธิการเสนอราคาผลิตภัณฑ์ดังกล่าว และจะไม่จัดซื้อเป็นการชั่วคราว ทั้งในระหว่างการพิจารณาจัดซื้อ และที่จะประกาศจัดซื้อใหม่จนกว่าผู้ผลิตหรือ ผู้แทนจำหน่ายผลิตภัณฑ์นั้นๆ จะส่งแผนการปรับปรุงคุณภาพผลิตภัณฑ์ และดำเนินการแก้ไขให้เป็นที่ยอมรับจาก การไฟฟ้าส่วนภูมิภาคแล้ว และต้องพันกำหนดระยะเวลา 6 เดือน นับจากวันที่ การไฟฟ้าส่วนภูมิภาค มีหนังสือแจ้งตัดสิทธิการเสนอราคาผลิตภัณฑ์ดังกล่าวด้วย

ทั้งนี้ เงื่อนไขดังกล่าวจะไม่มีผลใช้บังคับย้อนหลังไปถึงการจัดซื้อที่ยังไม่มีเงื่อนไขกำหนดไว้

ข้อ 9 ผู้ชนะการเสนอราคาจะต้องแจ้งกำหนดวันส่งมอบพัสดุเป็นลายลักษณ์อักษรให้หน่วยงานจัดซื้อ และ/หรือ หน่วยงานที่จัดตั้งส่งของการไฟฟ้าส่วนภูมิภาคทราบล่วงหน้าไม่น้อยกว่า 3 วันทำการ เพื่อที่จะได้กำหนดนัดวันตรวจรับต่อไปและจะต้องส่งมอบพัสดุระหว่างเวลา 08.30 น. ถึง 12.00 น. ของวันที่ทำการส่งมอบด้วย

ข้อ 10 การตรวจสอบสภาพต้านทานของสายอลูมิเนียมหุ้มฉนวน การไฟฟ้าส่วนภูมิภาค ได้กำหนดแนวปฏิบัติ สำหรับการทดสอบสภาพต้านทานของสายอลูมิเนียมตีเกลียวหุ้มฉนวน ตาม มอก. 293 ฉบับล่าสุด ดังนี้

#### 10.1 การชักตัวอย่าง

คณะกรรมการตรวจรับการไฟฟ้าส่วนภูมิภาคจะสุ่มตัวอย่างสายไฟฟ้าที่ผลิตเสร็จเรียบร้อยแล้ว (ตีเกลียวและหุ้มฉนวนแล้ว) และนำตัวอย่างมาทดสอบคุณสมบัติต่างๆ รวมทั้งการทดสอบสภาพต้านทานของสายไฟฟ้าด้วย ตามที่การไฟฟ้าส่วนภูมิภาคกำหนด

10.2 วิธีการทดสอบสภาพต้านทาน วิธีทดสอบสภาพต้านทานเป็นไปตาม มอก. 85 ฉบับล่าสุด โดยนำเฉพาะลวดตัวนำเส้นกลางมาหาค่าสภาพต้านทาน โดยวัดความต้านทานที่ อุณหภูมิห้อง แล้วปรับเป็นค่าที่ อุณหภูมิ 20 องศาเซลเซียส โดยวิธีการตาม มอก.กำหนด เพื่อนำไปคำนวณค่าสภาพต้านทานต่อไป

10.3 เกณฑ์ตัดสิน สายลวดอลูมิเนียมตีเกลียวจะถือว่าผ่านการทดสอบนี้ เมื่อมีค่าสภาพต้านทานไม่เกิน ค่าตามที่ มอก.293 ฉบับล่าสุดกำหนดไว้

ข้อ 11 พัสตุที่การไฟฟ้าส่วนภูมิภาคกำหนดให้มีการทดสอบเพื่อการตรวจรับในหัวข้อที่เป็นการทดสอบแบบทำลาย จนพัสตุไม่สามารถนำกลับมาใช้งานได้ คู่สัญญาจะต้องนำพัสตุใหม่มาทดแทนเพื่อให้ครบจำนวนตามที่ระบุไว้ในสัญญา ก่อนการไฟฟ้าส่วนภูมิภาครับมอบพัสตุไว้ใช้งาน โดยการไฟฟ้าส่วนภูมิภาคจะมีหนังสือแจ้งให้ส่งของมาทดแทน ภายใน 5 วันทำการนับจากวันที่ได้รับหนังสือแจ้ง หากคู่สัญญาไม่นำมาทดแทนภายในเวลาที่กำหนด การไฟฟ้าส่วนภูมิภาคจะคิดค่าปรับกรณีส่งของล่าช้าในอัตราร้อยละ 0.20 ของมูลค่าพัสตุที่นำมาทดแทน และผู้ขายต้องรับพัสตุที่ทดสอบแล้วชำระคืนกลับไปภายใน 30 วัน หลังจากได้นำพัสตุมาทดแทนให้ กฟภ. แล้ว หากเกินกำหนดเวลาดังกล่าวดังกล่าวให้ถือว่าผู้ขายไม่ประสงค์จะรับพัสตุคืนและ กฟภ. ขอสงวนสิทธิ์ในการดำเนินการจัดการพัสตุต่อไป

ข้อ 12 การชำระราคาพัสตุที่ตกลงซื้อขายกันการไฟฟ้าส่วนภูมิภาคจะชำระภายในเวลา 30 วัน นับถัดจากวันที่การไฟฟ้าส่วนภูมิภาคได้ทำการตรวจรับพัสตุที่คู่สัญญาส่งมอบถูกต้องเรียบร้อยแล้วในแต่ละงวด และห้ามคู่สัญญาโอนสิทธิเรียกร้องการรับเงินให้กับบุคคลภายนอก

ข้อ 13 ผู้ชนะการเสนอราคาจะต้องรับประกันความชำรุดบกพร่องอันเนื่องมาจากการใช้งานตามปกติของพัสตุเป็นเวลาไม่น้อยกว่า 1 ปี นับถัดจากวันที่การไฟฟ้าส่วนภูมิภาคได้รับมอบแล้ว เว้นแต่

13.1 ปูนซีเมนต์ปอร์ตแลนด์ประเภทเกิดแรงสูงเร็ว ต้องรับประกันคุณภาพเป็นเวลาไม่น้อยกว่า 30 วัน นับถัดจากวันที่การไฟฟ้าส่วนภูมิภาคได้รับมอบแล้ว

13.2 พัสตุประเภทดังต่อไปนี้ต้องรับประกันคุณภาพเป็นเวลาไม่น้อยกว่า 3 ปี เว้นแต่รายละเอียดสเปค (Specification) กำหนดระยะเวลารับประกันคุณภาพไว้มากกว่า 3 ปี นับถัดจากวันที่การไฟฟ้าส่วนภูมิภาคได้รับมอบแล้ว ให้ถือระยะเวลารับประกันคุณภาพที่กำหนดไว้ในรายละเอียดสเปค

-On-load tap-changing power transformers for 115 kV subtransmission substation

-Three-phase automatic voltage regulators (AVR) for 22 kV and 33 kV 50 Hz distribution System

-Single-phase and Three-phase transformers for 22 kV and 33 kV 50 Hz distribution system with and without ability to withstand short circuit

-Remote controlled switches for 22 kV and 33 kV 50 Hz distribution system

- Solid dielectric three-phase automatic reclosers for 22 kV and 33 kV 50 Hz distribution System
- Automatic switching equipment for HV power capacitor Bank
- Single-phase and Three-phase electromechanica and electronic energy meters

13.3 พัสตุที่จะจัดซื้อเป็น Porcelain cable spacer with grip locks and High-Density Polyethylene (HDPE) cable spacers and snap-tie ต้องรับประกันคุณภาพเป็นเวลาไม่น้อยกว่า 5 ปี นับถัดวันที่การไฟฟ้าส่วนภูมิภาคได้รับมอบแล้ว

ถ้าพัสตุเกิดความบกพร่องเนื่องจากวัสดุและหรือฝีมือไม่ดี ต้องรีบจัดการแก้ไขหรือเปลี่ยนใหม่ให้เรียบร้อยโดยไม่คิดมูลค่า ภายใน 30 วัน นับถัดจากวันที่ได้รับแจ้งจากการไฟฟ้าส่วนภูมิภาค และหากความบกพร่องดังกล่าวเป็นเหตุให้เกิดความเสียหายหรือเกิดอุบัติเหตุใดๆขึ้น ผู้ชนะการเสนอราคาจะต้องรับผิดชอบใช้ค่าเสียหายทั้งหมด ตามข้อกำหนดทั่วไป และ/หรือรายละเอียดสเปค (Specification) จะกำหนดไว้โดยไม่มีข้อโต้แย้งใดๆ

ในกรณีที่ผู้ชนะการเสนอการารับพัสตุไปแก้ไข หรือการไฟฟ้าส่วนภูมิภาคส่งมอบพัสตุให้ผู้ชนะการเสนอราคาไปดำเนินการแก้ไข และผู้ชนะการเสนอการาส่งมอบพัสตุที่แก้ไขแล้วคืนเกินกำหนดเวลา 30 วัน ผู้ชนะการเสนอราคาต้องขยายกำหนดเวลารับประกันความชำรุดบกพร่องเท่ากับจำนวนวันที่เกินจากกำหนด 30 วัน โดยนับต่อจากวันครบกำหนดเวลารับประกันเดิม สำหรับกรณีที่แก้ไขแล้วเสร็จพ้นกำหนดเวลารับประกัน ให้ขยายกำหนดตามจำนวนวันที่เกินจากกำหนด 30 วัน โดยนับต่อจากวันส่งมอบพัสตุที่แก้ไขเสร็จเรียบร้อย แล้วแต่กรณี และยอมให้การไฟฟ้าส่วนภูมิภาคปรับเป็นรายวันในอัตรา ร้อยละ 0.04109 ของราคาพัสตุรวมภาษีมูลค่าเพิ่ม ที่แก้ไขเกินกำหนด

ข้อ 14 โครงการจัดซื้อจัดจ้างที่มีวงเงินตั้งแต่ 500 ล้านบาทขึ้นไป รวมถึงการจัดซื้อจัดจ้างแบบเป็นกลุ่มประกวดราคา (Bid Group) ที่มีวงเงินตั้งแต่ 500 ล้านบาทขึ้นไป (ตามประกาศคณะกรรมการความร่วมมือป้องกันการทุจริต เรื่อง มาตรฐานขั้นต่ำของนโยบายและแนวทางป้องกันการทุจริตในการจัดซื้อจัดจ้างที่ผู้ประกอบการ ต้องจัดให้มี ตามมาตรา 19 แห่งพระราชบัญญัติการจัดซื้อจัดจ้างและการบริหารพัสดุภาครัฐ พ.ศ. 2560) ผู้เข้าร่วมการเสนอราคาจะต้องมีนโยบายและแนวทางการป้องกันการทุจริตในการจัดซื้อจัดจ้าง พร้อมทั้งต้องแนบเอกสารหลักฐาน และแบบตรวจสอบข้อมูลของผู้ประกอบการที่จะเข้าร่วมการเสนอราคาในโครงการที่มีวงเงินตั้งแต่ 500 ล้านบาทขึ้นไป ประกอบเป็นเอกสารการเสนอราคา โดยผู้ประกอบการจะต้องมีการดำเนินการตามแบบตรวจสอบข้อมูลครบถ้วนทุกข้อจึงจะผ่านการพิจารณาคุณสมบัติของผู้เสนอราคา

ทั้งนี้เงื่อนไขตามข้อ 14 ดังกล่าวจะเริ่มใช้ตั้งแต่วันที่ 5 กุมภาพันธ์ 2562 เป็นต้นไป

ข้อ 15 โครงการจัดซื้อจัดจ้างที่มีวงเงินตั้งแต่ 1,000 ล้านบาทขึ้นไป จะต้องดำเนินการตามประกาศคณะกรรมการความร่วมมือป้องกันการทุจริต (ค.ป.ท.) เรื่องแนวทางและวิธีการในการดำเนินงานโครงการความร่วมมือป้องกันการทุจริตในการจัดซื้อจัดจ้างภาครัฐ แบบของข้อตกลงคุณธรรม การคัดเลือกผู้สังเกตการณ์ และการจัดทำรายงานตามมาตรา 17 และ มาตรา 18 แห่งพระราชบัญญัติการจัดซื้อจัดจ้างและการบริหารพัสดุภาครัฐ พ.ศ. 2560 และได้รับ คัดเลือก จากคณะกรรมการความร่วมมือป้องกันการทุจริต (ค.ป.ท.) ให้จัดทำข้อตกลงคุณธรรม (integrity pact :IP)

ผู้ประสงค์จะเข้าร่วมการเสนอราคาในโครงการจัดทำข้อตกลงคุณธรรมจะต้องลงนามในข้อตกลงคุณธรรมซึ่งเป็นเอกสารที่ยื่นพร้อมกับเอกสารเสนอราคา หากไม่ลงนามในข้อตกลงคุณธรรมจะไม่มีสิทธิเข้าร่วมการเสนอราคาในโครงการนั้น

### เงื่อนไขการเรียกเก็บค่าบริการทดสอบประกอบการจัดซื้อพัสดุ (เพิ่มเติม)

ในกรณีพัสดุที่การไฟฟ้าส่วนภูมิภาค (กฟภ.) จัดซื้อได้มีการกำหนดให้มีการทดสอบ กฟภ. สงวนสิทธิที่จะเรียกเก็บค่าบริการทดสอบกับผู้ยื่นข้อเสนอ/คู่สัญญา โดย กฟภ. จะเรียกเก็บค่าบริการทดสอบ ดังนี้

1) งานให้บริการทดสอบเพื่อประกอบการพิจารณาผลการจัดซื้อ งานให้บริการทดสอบเพื่อตรวจรับงานให้บริการทดสอบอุปกรณ์/พัสดุในโครงการจ้างเหมาก่อสร้างระบบไฟฟ้า งานให้บริการทดสอบเพื่อตรวจสอบและรับรองคุณภาพของผลิตภัณฑ์ และงานให้บริการทดสอบอื่นๆ ให้คิดค่าบริการทดสอบตามอัตราที่ กฟภ. กำหนดไว้

2) สำหรับการทดสอบอุปกรณ์/พัสดุ มีการคิดค่าบริการแบ่งเป็น 2 ลักษณะ ดังนี้

2.1 การทดสอบโดยหน่วยงานทดสอบของ กฟภ. จะดำเนินการคิดค่าบริการทดสอบตามอัตราที่ กฟภ. กำหนดไว้

2.2 การทดสอบโดยหน่วยทดสอบเครือข่ายหรือหน่วยทดสอบภายนอกที่ กฟภ. ยอมรับ หากมีเจ้าหน้าที่จาก กฟภ. เข้าร่วมเป็นสักขีพยานในการทดสอบ (Witness test) จะดำเนินการคิดค่าดำเนินการให้บริการในอัตรา 3,000 บาท/งาน/วัน (ไม่รวมภาษีมูลค่าเพิ่ม) และหากมีการใช้รถยนต์หรือยานพาหนะของ กฟภ. ในการเดินทางไปเข้าร่วมเป็นสักขีพยานในการทดสอบดังกล่าว จะมีการคิดค่าบริการเพิ่มขึ้นตามประเภทของรถยนต์ที่ใช้ในการเดินทางตามอัตราที่ กฟภ. กำหนดไว้

ทั้งนี้ กฟภ. จะเรียกเก็บค่าบริการทดสอบรวมข้อ 2.1 และ 2.2 ไม่เกินร้อยละ 10 ของมูลค่ารวมการจัดซื้อจัดจ้างในแต่ละรายการที่ส่งทดสอบ (ไม่รวมภาษีมูลค่าเพิ่ม) หากการขอรับบริการทดสอบใดไม่กำหนดมูลค่าการจัดซื้อจัดจ้างในแต่ละรายการที่ส่งทดสอบ กฟภ. ขอสงวนสิทธิคิดค่าบริการทดสอบตามอัตราที่ กฟภ. กำหนดไว้ตามค่าใช้จ่ายที่เกิดขึ้นจากการทดสอบจริงทั้งหมด

ในกรณีที่ผู้ยื่นข้อเสนอ/คู่สัญญา ไม่ส่งมอบหลักฐานการชำระค่าบริการทดสอบอุปกรณ์/พัสดุ หน่วยงานทดสอบของ กฟภ. มีสิทธิบอกเลิกการขอรับบริการทดสอบในครั้งนั้นๆ

ทั้งนี้ สามารถตรวจสอบได้ที่ [www.pea.co.th](http://www.pea.co.th) -> ข่าวสารประกาศ -> หัวข้อ “อัตราค่าบริการทดสอบอุปกรณ์” และสามารถตรวจสอบรายการพัสดุพร้อมทั้งหัวข้อการทดสอบ เพื่อประกอบการพิจารณาผลการจัดซื้อ หรือ เพื่อการตรวจรับที่จะเรียกเก็บค่าบริการทดสอบ ได้ที่ <http://surl.li/ljfxg> หรือ QR code ด้านล่างนี้

