



-1-

PROVINCIAL ELECTRICITY AUTHORITY

TECHNICAL SPECIFICATION DIVISION

LOW-VOLTAGE FUSE-SWITCH DISCONNECTORS

Specification No. RPRO-052/2562

Approved date: 05/06/2019

Rev. No. -

Form No. 06-8

Page 1 of 10

ประกวดราคาอิเล็กทรอนิกส์เลขที่ : กฟผ.กจพ.1-ป(พร)-038-2566

C Material, equipment, and specifications for LOW-VOLTAGE FUSE-SWITCH DISCONNECTORS

C1 General material and packing instructions

Additional to the general instructions, the following shall be observed:

1a Scope

These specifications cover design, construction and testing of low-voltage fuse-switch disconnectors (FSD) using for low voltage overhead distribution systems.

1b Standards

The FSD shall be manufactured and tested in accordance with the following standards:

IEC 60947-1: 2007 Low-voltage switchgear and controlgear – Part 1: General rules

IEC 60947-3: 2008 Low-voltage switchgear and controlgear – Part 3: Switches, disconnectors, switch-disconnectors and fuse-combination units

And all other relevant standards, unless otherwise specified in these specifications.

PEA will accept the type test reports in accordance with the later edition of the above standards.

PEA will also accept the type test report in accordance with the previous edition of the above standards, if there is no significant change in any test items or no additional test item(s) compared with the above standards. On the other hand, if there is significant change in any test items or there are any additional test items, the previous edition type test report with the additional test report(s) of the significant change test item(s) and/or additional test item(s) will be also accepted.

1c Principal requirement

1c.1 Service condition and installation

The FSD shall be suitable for operation under the following conditions:

Altitude	:	up to 1,000 m above sea level
Ambient air temperature	:	40 ^o C, maximum
	:	35 ^o C, average on one (1) day
Relative humidity	:	up to 94%
Climate condition	:	tropical climate

1c.2 Ratings, characteristics and construction

1c.2.1 General

The FSD shall be single-pole, single throw type, and suitable for installation in horizontal underhung position. Each part of the FSD i.e. upper housing, lower housing and terminal covers can be removed individually. Each pole of FSD can be installed or removed from “L” mounting bracket individually. See **Drawing No. SB2-015/61001**.



PROVINCIAL ELECTRICITY AUTHORITY

TECHNICAL SPECIFICATION DIVISION

LOW-VOLTAGE FUSE-SWITCH DISCONNECTORS

Specification No. RPRO-052/2562

Approved date: 05/06/2019

Rev. No. -

Form No. 06-8

Page 2 of 10

A housing of the FSD shall be made entirely of glass fiber reinforced polyamide plastic with properties of electrical insulation, weather resistant and flame retardant. There is NO electrical conductive part on outer surface of the housing of the FSD.

The FSD shall have an upper housing and hinged lower housing with fuse carrier. The upper housing shall be securely fixed to a mounting bracket. The lower housing with a fuse carrier shall be hinged to the upper housing.

The conductor terminals and fuse contacts shall be designed and proportioned as to carry continuously its rated current without exceeding the maximum temperatures rise as indicated in the relevant standards.

The FSD shall have ratings and characteristic at least specified in **Table 1**.

Table 1

Ratings and characteristics of the Low-voltage fuse-switch disconnectors (FSD)

Description	Unit	Required ratings and characteristics
Rated operational voltage (U_c)	V	500
Rated frequency	Hz	50
Rated operational current (I_c)	A	400
Rated conditional short-circuit current	kA, r.m.s.	80
Rated impulse withstand voltage (U_{imp})	kV, peak	12
Rated making and breaking capacity	A	1,200
Rated insulation voltage (U_i)	V	1,000
Minimum creepage distances	-	pollution degree 3
Degree of protection	-	IP 23
Utilization category	-	AC-22B

The operation of the FSD, i.e. opening, closing, removing and placing the lower housing with fuse carrier, shall be operated by using an operating stick fitted with a NEMA disconnect head and it shall be possible to operate from the ground level directly below the FSD.

Indicators, clearly visible from ground level, on the FSD's lower housing shall be provided, at least as follows:

- Red lamp indicator showing when the fuse link is blown.
- Yellow tag indicator showing when the fuse link is not fixed in a suitable position.

All ferrous materials, other than stainless steel, shall be hot-dip galvanized according to ASTM specifications or equivalent.



PROVINCIAL ELECTRICITY AUTHORITY

TECHNICAL SPECIFICATION DIVISION

LOW-VOLTAGE FUSE-SWITCH DISCONNECTORS

Specification No. RPRO-052/2562

Approved date: 05/06/2019

Rev. No. -

Form No. 06-8

Page 3 of 10

1c.2.2 Upper housing

The upper housing of the FSD shall be provided with one (1) incoming terminal and one (1) outgoing terminal, suitable for up to 185 mm² low voltage aluminium cable, and fixed fuse contact suitable to accommodate the HRC fuse link with blade type 400 A size 1 or 2. All conductive parts shall be fully protected by the housing and terminal covers to avoid any touching of energized component.

1c.2.3 Lower housing with fuse carrier

The lower housing with fuse carrier, hinged to the upper housing, shall be suitable for fixing the HRC fuse link as specified in 1c.2.2.

1c.2.4 Hook stick Holder

The hook stick holder shall be fixed to the the lower housing with fuse carrier suitable for operation the FSD, i.e. opening, closing, removing and placing the lower housing with fuse carrier by using an operating stick fitted with a NEMA disconnect head. The hook stick holder see **Drawing No. SB2-015/61001**.

1c.2.5 Fixed fuse contact and terminals

The fixed fuse contact and terminals shall be copper with minimum of 10 µm thickness tin plated, or better.

The terminals shall be drilled in accordance with 2-hole NEMA standards (9/16" holes on 1 3/4" centers). Each terminal shall be furnished with two (2) sets of bolt, nut, flat washer, and spring lock washer.

1c.2.6 Mounting bracket

Mounting bracket shall be consisted of "C" mounting bracket and "L" mounting bracket, see **Drawing No. SB2-015/61001**.

The "C" mounting brackets shall be suitable for mounting the FSD on a 100 mm x 100 mm cross-arm in horizontal underhung position with M16 carriage bolts of not less than 140 mm long and shall be also suitable for mounting the FSD on the "L" mounting bracket.

The mounting brackets and their accessories shall be hot-dip galvanized according to ASTM specifications, or equivalent, and shall be strong enough to withstand the operating forces throughout the service.

1c.3 Markings

Each FSD shall be marked, by embossing or by laser marking on the housing, indelible and easily legible, at least as follows:

- (1) Manufacturer's name or trade-mark
- (2) Applied standard, Utilization category and Ratings i.e. rated operational voltage (U_c), rated operational current (I_c), rated frequency and rated insulation voltage (U_i)



PROVINCIAL ELECTRICITY AUTHORITY

TECHNICAL SPECIFICATION DIVISION

LOW-VOLTAGE FUSE-SWITCH DISCONNECTORS

Specification No. RPRO-052/2562	Approved date: 05/06/2019	Rev. No. -	Form No. 06-8	Page 4 of 10
---------------------------------	---------------------------	------------	---------------	--------------

- (3) Maximum torque marked on terminal covers
- (4) Year and month of manufacturer
- (5) PEA's contract number and PEA's purchase order (PO) number
- (6) PEA's trademark, as shown in the **Figure 1**, marked on the upper housing
- (7) In - Out arrow marking, direction of the arrow as shown in the **Figure 2**, marked on the upper housing
- (8) Others according to manufacturer's design



Figure 1 PEA's trademark

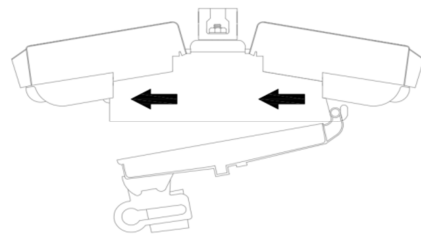


Figure 2 Direction of the arrow on Upper housing

1c.4 Field trial requirement

The proposed FSD shall be passed, at least 6 months, field trial in PEA's distribution system. The bidders have to submit PEA's letter of certification of the field trial with the bid. **The FSD offered without the letter of certification will be rejected.**

1d Packing

Each set of the FSD including all accessories shall be packed together in a suitable package. Plastic foam shall not be accepted.

The packages shall be packed in seaworthy wooden case(s) to avoid damage during transportation; or suitable package(s) for delivery by container.

Each wooden case shall be strong enough for stacking over with another one.

If the wooden case is made of rubber wood (Yang-para or Hevea brasiliensis), the wooden parts shall be treated with wood preservative. The details of wood treatment shall be described.

1e Tests and test report

1e.1 Type tests

The proposed FSD shall be passed all items of the type tests in accordance with IEC 60947-3 as follows:

- (1) Test sequence I : General performance characteristics
- (2) Test sequence II : Operational performance capability
- (3) Test sequence III : Short-circuit performance capability
- (4) Test sequence IV : Conditional short-circuit current
- (5) Test sequence V : Overload performance capability



PROVINCIAL ELECTRICITY AUTHORITY

TECHNICAL SPECIFICATION DIVISION

LOW-VOLTAGE FUSE-SWITCH DISCONNECTORS

Specification No. RPRO-052/2562	Approved date: 05/06/2019	Rev. No. -	Form No. 06-8	Page 5 of 10
---------------------------------	---------------------------	------------	---------------	--------------

The type tests shall be conducted or inspected by the acknowledged testing laboratories/institutes as following:

- (1) Laboratories/institutes which are members of the Short-circuit Testing Liaison (STL) or independent laboratories/institutes which are accredited according to TIS 17025 or ISO/IEC 17025 with the scope of accreditation covered the relevant test items, standards and equipment. The certification and scope of accreditation of the independent laboratories/institutes shall be submitted with the bid for consideration.
- (2) Thailand’s national laboratories, institutes, universities and electric utilities, as follows:
 - National Metal and Materials Technology Center (MTEC)
 - Electrical and Electronic Products Testing Center (PTEC)
 - Thai Industrial Standards Institute (TISI)
 - Electrical and Electronics Institute (EEI)
 - Department of Science Service (DSS)
 - Testing Laboratory, Electrical Engineering Department, Faculty of Engineering, Chulalongkorn University
 - Electricity Generating Authority of Thailand (EGAT)
 - Metropolitan Electricity Authority (MEA)
 - Provincial Electricity Authority (PEA)
 - Other laboratories, institutes, universities or electric utilities approved by PEA

In case of the foreign manufacturers have experience of more than twenty (20) years in design, manufacture and sell the FSD, PEA will except type and design test report(s) conducted by the manufacturer’s laboratory or other independent laboratories without qualification mentioned in (1) or (2). Documents showing the manufacturer’s experience such as reference list shall be submitted with the bid for consideration.

The bidders or manufacturers who prefer to carry out the type tests of the FSD with the laboratories or by the manufacturer themselves without the qualification mentioned above, the detail of the test facilities of the laboratories or the manufacturer shall be submitted to PEA for approval before proceeding the tests and before the bid closing date. PEA reserves the right to send representatives to inspect and witness the tests with the cost of the bidders or manufacturers.

The type test report done by the laboratories in Thailand or local manufacturers shall be valid within five (5) years counted from the issued date in the test report to the bid closing date.

The bidders have to submit the type test reports of the proposed FSD with the bid.



PROVINCIAL ELECTRICITY AUTHORITY

TECHNICAL SPECIFICATION DIVISION

LOW-VOLTAGE FUSE-SWITCH DISCONNECTORS

Specification No. RPRO-052/2562

Approved date: 05/06/2019

Rev. No. -

Form No. 06-8

Page 6 of 10

PEA will also accept other documents or other conditions instead of the type test reports in the following conditions:

- (1) In case the proposed FSD has been supplied to PEA and got the order from PEA's Procurement Department or Substation Work Department or Transmission and Distribution System Work Department (from PEA's head office), the Purchase Order (PO) or contract with List of supplier or Proposal form can be submitted with the bid, or
- (2) In case the proposed FSD has been registered for PEA Product Acceptance, the unexpired registration certificate counted to the bid closing date can be submitted with the bid, or
- (3) In case the proposed FSD has been registered for Product lists for substation turnkey project, the unexpired registration certificate counted to the bid closing date can be submitted with the bid instead

However the document in all above conditions shall be proved that the FSD specified in the PO or registration certificate shall be the same product, type/model and all ratings as the proposed FSD for this bid.

The cost of all tests and reports shall be borne by the Bidders/Manufacturer/Contractor.

1e.2 Routine tests

The FSD shall be passed the manufacturer's standard routine tests, and also passed all items of the routine tests in accordance with IEC 60947-3 as follows:

- (1) Functional test
- (2) Dielectric test

The list of routine tests shall be submitted with the bid.

1e.3 Acceptance tests

The sample of FSD shall pass the following acceptance test items:

- (1) Visual check
- (2) Dimension test
- (3) Mechanical endurance test, 200A size 1 HRC fuse link will be assembled with the fuse carrier and the 10 cycles of close-open will be applied.
- (4) Contact resistance test before and after the mechanical endurance test in (3), the difference of the contact resistance measured before and after the mechanical shall be not more than 20%.
- (5) Torque test, 40 N-m torque will be applied to each bolt of the terminals, 5 cycles of tighten-loosen will be applied.
- (6) Assembly test, 200 A size 1 HRC fuse links will be assembled with the lower housing test, 10 cycles of installation-remove will be applied.



PROVINCIAL ELECTRICITY AUTHORITY

TECHNICAL SPECIFICATION DIVISION

LOW-VOLTAGE FUSE-SWITCH DISCONNECTORS

Specification No. RPRO-052/2562

Approved date: 05/06/2019

Rev. No. -

Form No. 06-8

Page 7 of 10

- (7) Power frequency withstand voltage test, 2.2 kV for 60 seconds will be applied on open position (between terminals) and close position (between terminals and bracket).
- (8) Temperature rise test at rated current, 400 A, the temperature rise at the terminals shall not be more than 65K⁽¹⁾
- (9) Grow wire test at 960⁰C, according to IEC 60695-2-11⁽²⁾

Notes:

⁽¹⁾ Test only one (1) sample per contract, 400 A blade type HRC fuse(s) and suitable size of cable lugs and suitable length of 240 sq.mm. cable shall be provided for the test by the Contractor.

⁽²⁾ Destructive test item

PEA's acceptance committee will randomly select samples of proposed FSD form each lot. The number of the samples for each lot and criteria for consideration shall be according to **Table 1**.

PEA reserves the right to test the samples by PEA's laboratory or by supplier's factory or by acknowledged independent testing laboratories as mentioned in **1e.1**. In case of testing by the supplier's factory or by the independent testing laboratories, PEA reserved the right to send representatives to inspect and witness the tests.

The cost of the acceptance tests shall be borne by the Contractor.

Table 1 The number of samples and criteria for consideration

Number per lot (sets)	The number of samples for acceptance tests			Maximum number of sample failing in the acceptance test (sets)
	Total of samples (sets)	Non-Destructive test ^(a) (sets)	Destructive test ^(b) (sets)	
3 to 25	3	3	1	0
26 to 90	5	5	1	0
91 to 150	8	8	2	0
151 to 500	13	13	2	1
501 to 1,200	20	20	2	1
1,201 to 10,000	32	32	2	2
more than 10,000	50	50	3	3

Notes:

^(a) All samples shall be tested in accordance with test items (1) to (7), for the temperature rise test according to test items (8) shall be tested only one (1) sample per contract.

^(b) Grow wire test according to test items (9)

The number of failing samples shall not more than the maximum number of failing samples in the acceptance test according to the **Table 1**, otherwise, the FSD in that lot will be rejected.

In case the failing samples are not more than the maximum number of failing sample in the acceptance test according to the **Table 1**, the contractor has to take responsibility as following procedure.



PROVINCIAL ELECTRICITY AUTHORITY

TECHNICAL SPECIFICATION DIVISION

LOW-VOLTAGE FUSE-SWITCH DISCONNECTORS

Specification No. RPRO-052/2562

Approved date: 05/06/2019

Rev. No. -

Form No. 06-8

Page 8 of 10

- (1) The contractor has to recheck all delivered FSD in that lot and repair or fix the defective FSD in that lot.
- (2) The contractor shall analyze the problem and send the report to PEA's acceptance committee before the lot accepted.
- (3) The FSD which are repaired or fixed in that lot shall be retested only in the relevant test items.

After the tests, the additional FSD shall be supplied by the contractor with free of charge to compensate the samples which are tested in the destructive test with the same amount of the samples.



PROVINCIAL ELECTRICITY AUTHORITY

TECHNICAL SPECIFICATION DIVISION

LOW-VOLTAGE FUSE-SWITCH DISCONNECTORS

Specification No. RPRO-052/2562

Approved date: 05/06/2019

Rev. No. -

Form No. 06-8

Page 9 of 10

C2 Material and packing data shall be submitted with the bid

The following data shall be given by the bidders with the bid:

2a Design data and guarantee of the proposed FSD

Description	Unit	Proposed data
Rated operational voltage (U_c)	V	
Rated frequency	Hz	
Rated operational current (I_c)	A	
Rated conditional short-circuit current	kA, r.m.s.	
Rated impulse withstand voltage (U_{imp})	kV, peak	
Rated making and breaking capacity	A	
Rated insulation voltage (U_i)	V	
Minimum creepage distances	-	
Degree of protection	-	
Utilization category	-	

2b Critical documents of the proposed FSD (see Table 2)

2c Catalogue and detailed drawing(s) with dimensions and tolerances in mm

2d Packing details

- Packing method, and describe packing materials, details of wood treatment for rubber wood package)
- Number of sets or pieces in each package
- Dimensions (length x width x height) of each package in cm
- Volume of each package in m^3
- Gross weight of each package in kg
- Net weight of each package in kg
- Number of packages
- Type of storage facility required (indoor/outdoor)



PROVINCIAL ELECTRICITY AUTHORITY

TECHNICAL SPECIFICATION DIVISION

LOW-VOLTAGE FUSE-SWITCH DISCONNECTORS

Specification No. RPRO-052/2562

Approved date: 05/06/2019

Rev. No. -

Form No. 06-8

Page 10 of 10

Table 2 Critical documents of the proposed FSD

Item	Description of document	Confirmation	Reference (Page No./folder)
1	Type test reports with detail of testing laboratories/institutes or	<input type="checkbox"/> Yes <input type="checkbox"/> No	
	The copy previous Purchase Order (PO) or contract with list of supplier or proposal form, or	<input type="checkbox"/> Yes <input type="checkbox"/> No	
	PEA product acceptance registration certificate, or	<input type="checkbox"/> Yes <input type="checkbox"/> No	
	Product list registration certificate	<input type="checkbox"/> Yes <input type="checkbox"/> No	
2	PEA's letter of certification of the field trial	<input type="checkbox"/> Yes <input type="checkbox"/> No	
3	List of routine tests	<input type="checkbox"/> Yes <input type="checkbox"/> No	
4	Design data and guarantee of the proposed FSD (Page 9 of 10)	<input type="checkbox"/> Yes <input type="checkbox"/> No	
5	Catalogue and detailed drawing(s)	<input type="checkbox"/> Yes <input type="checkbox"/> No	
6	Packing details	<input type="checkbox"/> Yes <input type="checkbox"/> No	

Note: The bidders who do not submit critical documents mentioned in the table above will be rejected.

Note: Conditions for documentation and consideration

1. The Contractor has to guarantee the quality of the FSD for **three (3) years** commencing from the date PEA receive the FSD. During the guarantee period, the Contractor shall replace the defective FSD for free of charge or shall pay an amount equal to the exact purchasing value for the defective quantity of the FSD.
2. Delivery time is one of the important factors to be considered.


PROVINCIAL ELECTRICITY AUTHORITY
TECHNICAL SPECIFICATION DIVISION
TOLERANCE

Specification No. -

Approved date : 31 ม.ค. 2562

Rev. No. : 01

Form No. :-

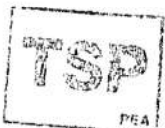
Page 1 of 2

ภาคผนวก (Addendum)

ที่	รายละเอียด	ค่าความคลาดเคลื่อน (มิลลิเมตร)		สัญลักษณ์	รูปที่
1	ระยะความยาวรวม (ขอบเหล็ก ถึง ขอบเหล็ก)	+ 5	- 3	L	(1)
2	ระยะจากจุดศูนย์กลางรู Slot ถึง ขอบเหล็ก	+ 5	- 3	A	(2)
	ระยะจากจุดศูนย์กลางรูกลม ถึง ขอบเหล็ก				
3	ระยะจากจุดศูนย์กลางรู Slot ถึง จุดศูนย์กลางรู Slot	+ 2	- 2	X1	(3)
4	ระยะจากจุดศูนย์กลางรูกลม ถึง จุดศูนย์กลางรูกลม	+ 1	- 1	X2	(4)
	ระยะจากจุดศูนย์กลางรูกลม ถึง จุดศูนย์กลางรู Slot				
5	ขนาดเส้นผ่านศูนย์กลางรูกลม 10 มิลลิเมตร ถึง 24 มิลลิเมตร	+ 1	- 1	DØ	(5)
	ขนาดรู Slot	+ 1	- 1	d1, d2	
6	ระยะเกลียวถึงปลาย Bolt	+ 8	- 0	B	(6)

หมายเหตุ :

1. ภาคผนวกนี้จะไม่นำไปใช้ ในกรณีดังต่อไปนี้
 - 1.1 มีการกำหนดค่าความคลาดเคลื่อนในข้อกำหนดทางเทคนิคแล้ว
 - 1.2 ข้อกำหนดทางเทคนิคได้อ้างอิงถึงมาตรฐานอุตสาหกรรม (มอก.) ต่างๆ ซึ่งมีการกำหนดค่าความคลาดเคลื่อนในมาตรฐานอุตสาหกรรม (มอก.) ดังกล่าวแล้ว
2. รูปแสดงตัวอย่าง และสัญลักษณ์ ให้ดูที่ Page 2 of 2
3. สำหรับการตรวจรับฮาร์ดแวร์ที่ต้องมีการประกอบใช้งานร่วมกับฮาร์ดแวร์อื่นๆ เช่น เหล็กประกับ, คอนเหล็ก เป็นต้น PEA ขอสงวนสิทธิ์ในการทดลองประกอบใช้งานร่วมกับฮาร์ดแวร์ดังกล่าว ในการตรวจรับด้วย





PROVINCIAL ELECTRICITY AUTHORITY

TECHNICAL SPECIFICATION DIVISION

TOLERANCE

Specification No. -

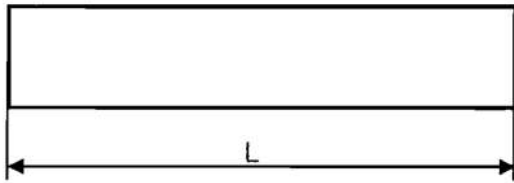
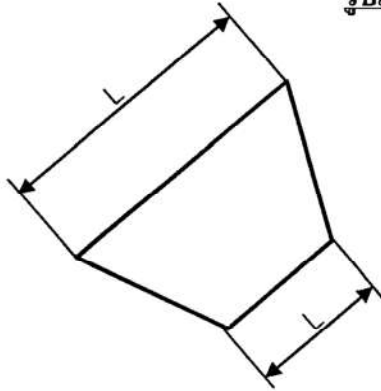
Approved date : 31 ม.ค. 2562

Rev. No. : 01

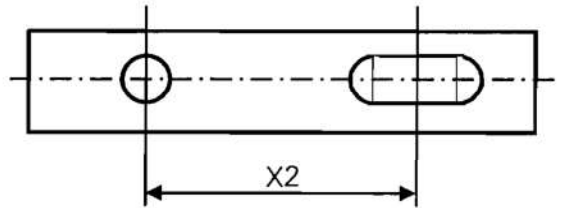
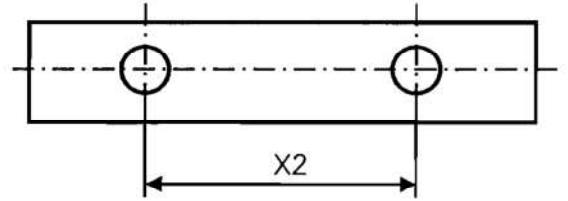
Form No. :-

Page 2 of 2

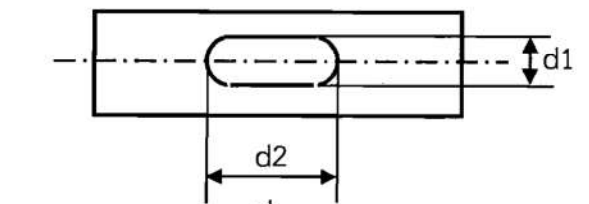
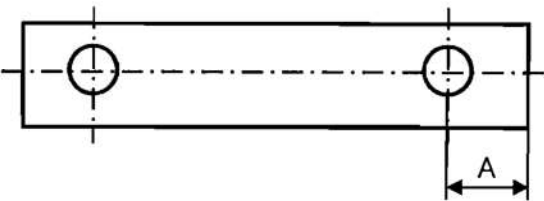
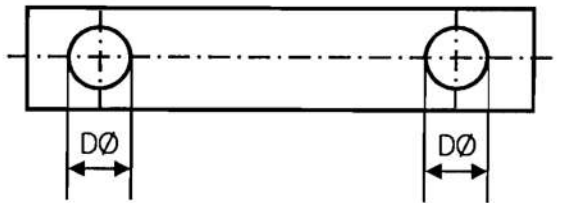
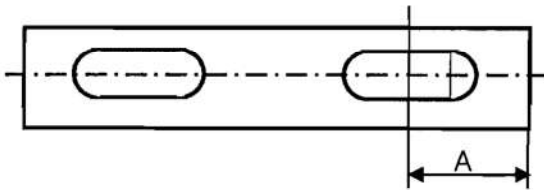
รูปแสดงตัวอย่าง และสัญลักษณ์



รูปที่ (1)

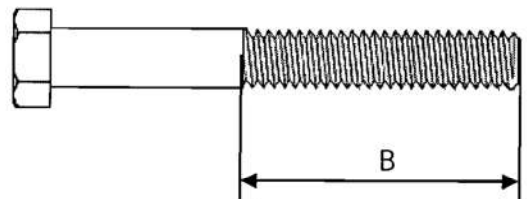
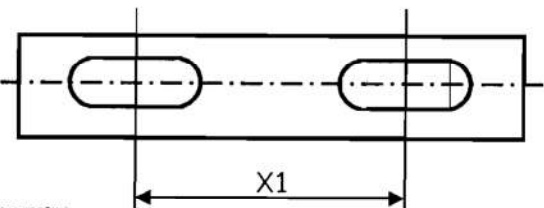


รูปที่ (4)



รูปที่ (2)

รูปที่ (5)



รูปที่ (3)

รูปที่ (6)





PROVINCIAL ELECTRICITY AUTHORITY
ELECTRICAL AND MECHANICAL ENGINEERING DIVISION

LOW-VOLTAGE FUSE-SWITCH DISCONNECTORS

Specification No.: RPRO-052/2562	Approved date: 19 APR 2023	Rev. No.: 0	Form No. -	Page 1 of 1
---	-----------------------------------	--------------------	-------------------	--------------------

เอกสารเพิ่มเติมแนบรายละเอียดสเปค
(Addendum)

เอกสารเพิ่มเติมแนบรายละเอียดสเปค (Addendum) นี้ ให้ถือเป็นส่วนหนึ่งของสเปคอ้างอิงเลขที่ RPRO-052/2562: LOW-VOLTAGE FUSE-SWITCH DISCONNECTORS

ยกเลิกข้อ 3. ตามที่ระบุไว้ใน C3 Schedule of detailed requirement (Page 1 of 1) หัวข้อ Note : และให้ใช้ข้อความดังต่อไปนี้แทน

3. The following product/country of manufacturing and type/model are proved to be conformed with the specification and passed PEA’s field trial:

No.	Product	Country of manufacturing	Type/Model
1	Mosdorfer	Thailand	5761/5763/5783
2	System3	Thailand	FSD1000.1/FSD1000.3/FSD1000.3/1
3	Smico	Thailand	APDM400
4	Sicame/JPC	Thailand	APR400T

The product/country of manufacturing and type/model as mentioned above can be proposed without submitting PEA’s letter of certification of the field trial and type test reports.

Other products can be proposed, but the bidders have to submit all technical documents, with the bid for consideration.





PROVINCIAL ELECTRICITY AUTHORITY

TECHNICAL SPECIFICATION DIVISION

Specification No. RPRO-052/2562: **LOW-VOLTAGE FUSE-SWITCH DISCONNECTORS**

Page 1 of 1

C3 Schedule of detailed requirement

ประกวดราคาอิเล็กทรอนิกส์เลขที่ : กพภ.กจพ.1-ป(พร)-038-2566

Item	PEA Material No.	Quantity	Description																				
1	1040020102	3,000 set(s)	<p>Low-voltage fuse-switch disconnectors (FSD) using for low voltage overhead distribution systems. Each set of FSD shall be completed with:</p> <p>(1) <u>One (1) set</u> “C” mounting bracket with M16 carriage bolts of not less than 140 mm long, nut, flat washer and lock washer</p> <p>(2) <u>Two (2) sets</u> 2-hole NEMA pad cable lug, suitable for 95 mm² aluminium cable. Each cable lug shall be installed with each terminal of the FSD.</p> <p>(3) <u>One (1) set</u> HRC fuse link with blade type 200 A size 1 or 2 according to TIS 2111, [IEC 60269-2-1 Referred] installed in the fuse carrier.</p>																				
2	1010200010	1,370 set(s)	<p>“L” Mounting bracket, suitable for installation of three (3) sets of FSD, see enclosed Drawing No. SB2-015/61001.</p> <p>Note :</p> <ol style="list-style-type: none"> Enclosed Drawing No. SB2-015/61001 The bidder has to quote the unit cost. The following product/country of manufacturing and type/model are proved to be conformed with the specification and passed PEA’s field trial: <table border="1" style="width: 100%; border-collapse: collapse;"> <thead> <tr> <th style="text-align: center;">No.</th> <th style="text-align: center;">Product</th> <th style="text-align: center;">Country of manufacturing</th> <th style="text-align: center;">Type/Model</th> </tr> </thead> <tbody> <tr> <td style="text-align: center;">1</td> <td style="text-align: center;">Mosdorfer</td> <td style="text-align: center;">Thailand</td> <td style="text-align: center;">KMF080139</td> </tr> <tr> <td style="text-align: center;">2</td> <td style="text-align: center;">System3</td> <td style="text-align: center;">Thailand</td> <td style="text-align: center;">ZT0620</td> </tr> <tr> <td style="text-align: center;">3</td> <td style="text-align: center;">Smico</td> <td style="text-align: center;">Thailand</td> <td style="text-align: center;">APDM400</td> </tr> <tr> <td style="text-align: center;">4</td> <td style="text-align: center;">Sicame</td> <td style="text-align: center;">China</td> <td style="text-align: center;">APR-400-T</td> </tr> </tbody> </table> <p>The product/country of manufacturing and type/model as mentioned above can be proposed without submitting PEA’s letter of certification of the field trial and type test reports.</p> <p>Other products can be proposed, but the bidders have to submit all technical documents, with the bid for consideration.</p>	No.	Product	Country of manufacturing	Type/Model	1	Mosdorfer	Thailand	KMF080139	2	System3	Thailand	ZT0620	3	Smico	Thailand	APDM400	4	Sicame	China	APR-400-T
No.	Product	Country of manufacturing	Type/Model																				
1	Mosdorfer	Thailand	KMF080139																				
2	System3	Thailand	ZT0620																				
3	Smico	Thailand	APDM400																				
4	Sicame	China	APR-400-T																				



PROVINCIAL ELECTRICITY AUTHORITY

TECHNICAL SPECIFICATION DIVISION

Specification No. RPRO-052/2562: LOW-VOLTAGE FUSE-SWITCH DISCONNECTORS

C3 Schedule of detailed requirement

ประกวดราคาอิเล็กทรอนิกส์เลขที่ : กฟผ.กจพ.1-ป(พร)-038-2566

Item	PEA Material No.	Quantity	Description
			<p>4. การไฟฟ้าส่วนภูมิภาคจะซื้อฟัสต์ที่ผลิตภายในประเทศ</p> <p>5</p> <p style="text-align: center;">๕</p> <p>รายการที่ 1 แบ่งการจัดส่งเป็น 3 งวด ดังนี้ งวดแรก จัดส่งจำนวน 1,300 ชุด ภายใน 90 วัน งวดที่ 2 จัดส่งจำนวน 1,300 ชุด ภายใน 120 วัน งวดที่ 3 จัดส่งจำนวน 400 ชุด ภายใน 150 วัน</p> <p>รายการที่ 2 จัดส่งภายใน 90 วัน</p> <p>6. กำหนดรับรองคุณภาพไว้ใช้งาน 3 ปี</p>



PROVINCIAL ELECTRICITY AUTHORITY

TECHNICAL SPECIFICATION DIVISION

Specification No. RPRO-052/2562 : FUSE SWITCH DISCONNECTOR

Page 1 of 1

C4

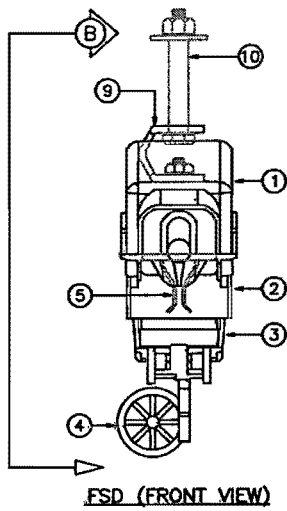
ประกวดราคาอิเล็กทรอนิกส์เลขที่ : กฟภ.กจพ.1-ป(พร)-038-2566

Manufacturer :

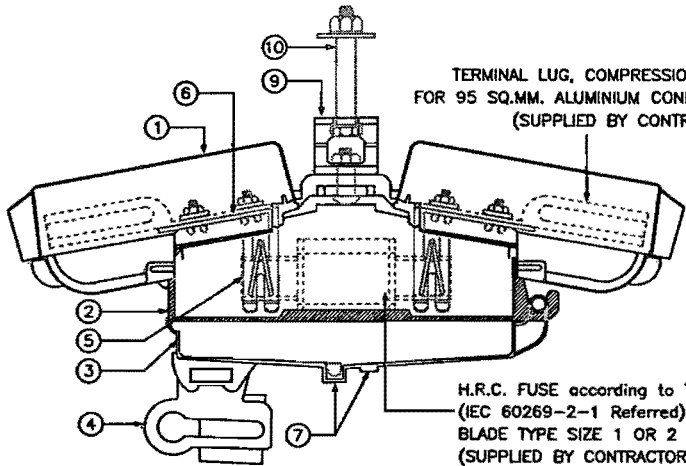
Country of origin :

Trade-mark :

Item	PEA Material No.	Catalogue No.	Description	Quantity		
1	1040020102		<p>Low-voltage fuse-switch disconnectors (FSD) using for low voltage overhead distribution systems. Each set of FSD shall be completed with:</p> <p>(1) <u> 1 </u> set “C” mounting bracket with M16 carriage bolts of not less than 140 mm long, nut, flat washer and lock washer</p> <p>(2) <u> 2 </u> sets 2-hole NEMA pad cable lug, suitable for 95 mm² aluminium cable. Each cable lug shall be installed with each terminal of the FSD.</p> <p>(3) <u> 1 </u> set HRC fuse link with blade type 200 A size 1 or 2 according to TIS 2111, [IEC 60269-2-1 Referred] installed in the fuse carrier.</p>	3,000 set(s)		ยื่นเสนอราคาทางระบบอิเล็กทรอนิกส์
2	1010200010		<p>“L” Mounting bracket, suitable for installation of three (3) sets of FSD, see enclosed Drawing No.</p>	1,370 set(s)		



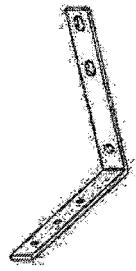
FSD (FRONT VIEW)



SECTION "B"

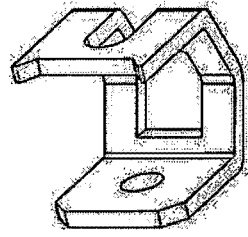
TERMINAL LUG, COMPRESSION TYPE FOR 95 SQ.MM. ALUMINIUM CONDUCTOR (SUPPLIED BY CONTRACTOR)

H.R.C. FUSE according to TIS 2111 (IEC 60269-2-1 Referred) BLADE TYPE SIZE 1 OR 2 (SUPPLIED BY CONTRACTOR)



"L" BRACKET

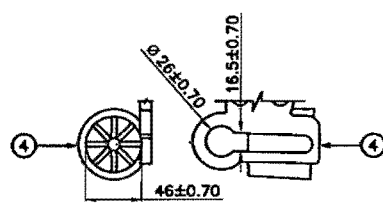
8) see details page 2 of 2



"C" BRACKET

9) see details page 2 of 2

NO.	DESCRIPTION	MATERIAL
1	Cover terminal	Glass fiber reinforced polyamide plastic insulated material
2	Upper housing	
3	Lower housing (fuse carrier)	
4	Hook stick holder	
5	Contact between jaw and blade of fuse link (Fixed fuse contact)	Copper with tin plated
6	Terminal pad	LED and plastic
7	Red lamp and yellow tag indicator	
8	"L" mounting bracket (see details page 2 of 2)	Steel Hot-dip galvanized
9	"C" mounting bracket (see details page 2 of 2)	Steel Hot-dip galvanized
10	Bolt M16 of not less than 140 mm Long complete with Nut, washer and spring washer	Steel Hot-dip galvanized



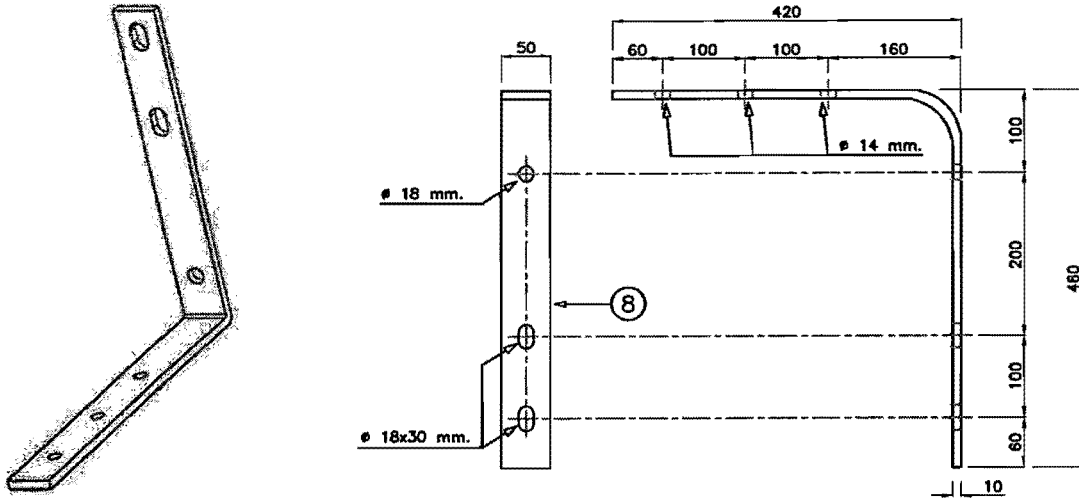
HOOK STICK HOLDER

Note :

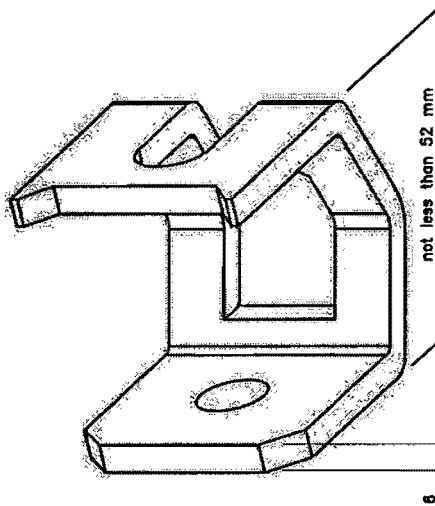
- Shape of FSD according to manufacturer design.
- Bolt M16 of not less than 140 mm Long (Item 10) suitable for mounting the FSD on PEA's crossarm and furnished with nut, flat washer, and spring lockwasher.
- Each pole of FSD can be installed or removed from "L" mounting bracket individually.
- "C" mounting bracket suitable for mouting with FSD and Bolt M16 (Item 10)
- Shape of Hook stick holder shall be according to manufacturer design.
- Hook stick holder suitable for operating stick fitted with a NEMA disconnect head (Pull-and lift-rings, inside diameter of 26±0.70 mm) in order to opening, closing, removing or placing the lower housing (fuse carrier) from ground level.
- Terminal pad which are drilled in accordance with two holes NEMA Standords (9/16" holes on 1 3/4" centers) and furnished with bolts, nuts, flat washers, and spring lockwashers.
- All ferrous materials, other than stainless steel, shall be hot-dip galvanized.
- Not to scale

กองข้อกำหนดทางเทคนิค ฝ่ายวิศวกรรม	การไฟฟ้าส่วนภูมิภาค	ใช้แทนแบบ.....-
ผู้เขียน..... <i>พ.พ.วิจิตร</i>	ฟิวส์ สวิตช์ ดิสคอนเนคเตอร์	ถูกแทนโดยแบบ.....-
ผู้สำรวจ.....		เขียนเสร็จวันที่.21 ม.ค. 2562
วิศวกร..... <i>พ.พ.วิจิตร</i>	LOW-VOLTAGE FUSE-SWITCH DISCONNECTORS (FSD)	แก้แบบวันที่.....-
หัวหน้าแผนก..... <i>สมชาย</i>		มิติเป็น...มิลลิเมตร.....
ผู้อำนวยการกอง..... <i>สมชาย</i>		มาตราส่วน.....-
ผู้อำนวยการฝ่าย..... <i>สมชาย</i>		แบบเลขที่.SB2-015/61001
		แผ่นที่.1. ของจำนวน.2. แผ่น





"L" BRACKET



"C" BRACKET

Note :

1. Dimension are in mm after hot dip galvanized.
2. Shape of "C" mounting bracket according to manufacturer design.
3. "C" mounting bracket suitable for mouting with FSD and Bolt M16 (Item 10)
4. Minimum thickness of hot dip galvanized according to ASTM specification or equivalent.
5. Tolerance not specified in this drawing shall be according to attachment "Tolerance".
6. Not to scale

กองข้อกำหนดทางเทคนิค ฝ่ายวิศวกรรม	การไฟฟ้าส่วนภูมิภาค	ใช้แทนแบบ.....-..... ถูกแทนโดยแบบ.....-.....
ผู้เขียน..... ผู้สำรวจ..... วิศวกร..... หัวหน้าแผนก.....	ฟิวส์ สวิตช์ ดิสคอนเนคเตอร์	เขียนเสร็จวันที่ 21 ม.ค. 2562 แกบแบบวันที่.....-..... มิติเป็น... มิลลิเมตร..... มาตรฐานส่วน.....-.....
ผู้อำนวยการกอง..... ผู้อำนวยการฝ่าย.....	LOW-VOLTAGE FUSE-SWITCH DISCONNECTORS (FSD)	แบบเลขที่ SB2-015/61001 แผ่นที่ 2. ของจำนวน 2. แผ่น



เงื่อนไขทั่วไปประกอบการจัดซื้อพัสดุ

ผู้ยื่นข้อเสนอ จะต้องปฏิบัติตามเงื่อนไขประกอบการจัดซื้อพัสดุดังนี้

ข้อ ๑ “ผู้ยื่นข้อเสนอจะต้องยื่นเอกสารทางเทคนิค เช่น แคล์คูล็อก แบบรูป (Drawings) รายงานผลการทดสอบเฉพาะแบบ (Type test reports) หรือเอกสารอื่นๆ ตามที่ได้ระบุไว้ในรายละเอียดสเปค (Specification) ให้ครบถ้วนพร้อมกับการยื่นข้อเสนอ โดยเอกสารทางเทคนิคดังกล่าวจะต้องเป็นภาพสีเหมือนกับเอกสารต้นฉบับ และต้องเป็นภาษาไทยหรือภาษาอังกฤษเท่านั้น สำหรับเอกสารทางเทคนิคที่ผู้ยื่นข้อเสนอจะต้องกรอกรายละเอียดในแบบฟอร์มของ การไฟฟ้าส่วนภูมิภาค ให้ใช้วิธีการพิมพ์เท่านั้น การไฟฟ้าส่วนภูมิภาคขอสงวนสิทธิ์ที่จะไม่รับพิจารณาผู้ยื่นข้อเสนอที่ยื่นเอกสารทางเทคนิคไม่ครบถ้วน หรือไม่ปฏิบัติตามที่ระบุข้างต้น

ข้อ ๒ การไฟฟ้าส่วนภูมิภาค จะพิจารณาเฉพาะเอกสารทางเทคนิค เช่น แคล์คูล็อก แบบรูป (Drawings) รายงานผลการทดสอบเฉพาะแบบ (Type test reports) หรือเอกสารอื่นๆ ที่ระบุผลิตภัณฑ์เป็นแบบ (Type) หรือเป็นรุ่น (Model) ที่ตรงกับที่ผู้ยื่นข้อเสนอระบุไว้ในรายการที่เสนอราคาเท่านั้น เว้นแต่รายละเอียดสเปค (Specification) ระบุความต้องการเอกสารทางเทคนิคไว้เป็นอย่างอื่น

ข้อ ๓ สำหรับพัสดุอุปกรณ์ที่ การไฟฟ้าส่วนภูมิภาค กำหนดให้ใช้เกณฑ์ราคาประกอบเกณฑ์อื่น (Price-performance) ในการพิจารณาจัดซื้อ ผู้ยื่นข้อเสนอที่ยื่นผลิตภัณฑ์ที่มีคุณสมบัติเป็นไปตามเกณฑ์อื่นในแต่ละรายการ และมีความประสงค์ที่จะให้ การไฟฟ้าส่วนภูมิภาค คิดคะแนนในส่วนของเกณฑ์อื่นดังกล่าวเพื่อประกอบการพิจารณาจัดซื้อนั้น ผู้ยื่นข้อเสนอจะต้องยื่นเอกสารแสดงคุณสมบัติในแต่ละเกณฑ์ที่ถูกต้อง และครบถ้วนมาพร้อมกับการยื่นข้อเสนอ หากการไฟฟ้าส่วนภูมิภาคตรวจสอบแล้วพบว่าเอกสารแสดงคุณสมบัติดังกล่าวไม่ถูกต้อง หรือไม่ครบถ้วน การไฟฟ้าส่วนภูมิภาค ขอสงวนสิทธิ์ที่จะพิจารณาไม่ให้คะแนนในแต่ละเกณฑ์นั้นๆ

ทั้งนี้รายการพัสดุอุปกรณ์ที่การไฟฟ้าส่วนภูมิภาคกำหนดให้ใช้เกณฑ์ราคาประกอบเกณฑ์อื่นในการพิจารณาจัดซื้อ รวมถึงสัดส่วนการคิดคะแนนระหว่างเกณฑ์ราคา และเกณฑ์อื่นจะถูกกำหนดไว้ในเอกสารที่เกี่ยวข้อง”

ข้อ ๔ กรณีการจัดซื้ออุปกรณ์ไฟฟ้าหลักสำหรับติดตั้งใช้งานในระบบสายส่ง 115 kV และระบบจำหน่าย 22 kV และ 33 kV อันได้แก่ หม้อแปลงไฟฟ้า รีโคลสเซอร์ เซอร์กิตเบรกเกอร์ อุปกรณ์ป้องกัน สวิตช์ อุปกรณ์ตัดตอน ลูกถ้วยไฟฟ้า สายไฟฟ้า หม้อแปลงกระแส (Current transformers) หม้อแปลงแรงดัน (Voltage transformers) รวมถึง มิเตอร์สำหรับวัดพลังงานไฟฟ้า การไฟฟ้าส่วนภูมิภาคขอสงวนสิทธิ์ที่จะส่งเจ้าหน้าที่ของการไฟฟ้าส่วนภูมิภาค หรือผู้แทนที่ได้รับการแต่งตั้งจากการไฟฟ้าส่วนภูมิภาคเข้าไปตรวจสอบกระบวนการผลิตและการควบคุมคุณภาพ ณ โรงงานผู้ผลิตก่อนการส่งมอบ โดยการไฟฟ้าส่วนภูมิภาคจะเป็นผู้ออกค่าใช้จ่ายในการเดินทาง และเบี้ยเลี้ยงของเจ้าหน้าที่ฯ หรือค่าจ้างผู้แทนฯ เท่านั้น

ข้อ ๕ การจัดซื้อหม้อแปลงไฟฟ้าสำหรับระบบจำหน่าย ผู้ที่ได้รับการสั่งซื้อต้องยินยอมให้ การไฟฟ้าส่วนภูมิภาค หรือผู้แทนที่ได้รับการแต่งตั้งจากการไฟฟ้าส่วนภูมิภาคเข้าไปตรวจสอบกระบวนการผลิต การควบคุมคุณภาพ และการทดสอบ ณ โรงงานผู้ผลิตก่อนการส่งมอบ โดยมีรายละเอียดและขั้นตอนที่ผู้ได้รับการสั่งซื้อต้องปฏิบัติตามเอกสารแนบจำนวน ๒ แผ่น โดยการไฟฟ้าส่วนภูมิภาคจะเป็นผู้ออกค่าใช้จ่ายในการเดินทาง และเบี้ยเลี้ยงของเจ้าหน้าที่ฯ หรือค่าจ้างผู้แทนฯ เท่านั้น

ข้อ ๖ กรณีพัสดุที่จะจัดซื้อเป็นรายการที่ได้รับการรับรองตามกระบวนการ PEA Product Acceptance การไฟฟ้าส่วนภูมิภาคจะดำเนินการดังนี้

๖.๑ ในการพิจารณาทางเทคนิค หากผู้ยื่นข้อเสนอ เสนอผลิตภัณฑ์ที่ได้รับการรับรองตามกระบวนการ PEA Product Acceptance ที่ยังไม่หมดอายุการรับรอง ให้แนบใบรับรองฯ ของการไฟฟ้าส่วนภูมิภาค พร้อมเอกสารประกอบการเสนอราคา โดยไม่ต้องยื่นเอกสารทางเทคนิคอื่นๆ และคณะกรรมการพิจารณาผลฯ ไม่ต้องพิจารณาเอกสารทางเทคนิค โดยให้ยึดตามใบรับรองฯ เท่านั้น

๖.๒ ในขั้นตอนการตรวจรับพัสดุที่จัดซื้อ หากพัสดुरายการใดเป็นพัสดุที่ไม่ได้รับการรับรองตามกระบวนการ PEA Product Acceptance ให้คณะกรรมการตรวจรับฯ ดำเนินการตรวจรับพัสดุดังกล่าวตามขั้นตอน และวิธีการตรวจรับพัสดุของ การไฟฟ้าส่วนภูมิภาคที่บังคับใช้อยู่ ณ ปัจจุบัน

ทั้งนี้ หากพัสดुरายการใดได้รับการรับรองตามกระบวนการ PEA Product Acceptance ที่ยังไม่หมดอายุการรับรองให้คณะกรรมการตรวจรับฯ ใช้เอกสารผลการทดสอบคุณภาพผลิตภัณฑ์จากผู้ผลิต และ Product DNA (เอกสารที่ช่วยในการตรวจสอบและคัดกรองผลิตภัณฑ์ในเบื้องต้น ซึ่งประกอบด้วยข้อมูล Type test และรูปภาพส่วนประกอบต่างๆ ของผลิตภัณฑ์) เพื่อประกอบการตรวจรับพัสดุดังกล่าว โดยไม่ต้องสุ่มทดสอบอีก

๖.๓ ผู้ชนะการเสนอราคา หรือ คู่สัญญา จะต้องยื่นเอกสารแผนการผลิตและการควบคุมคุณภาพการผลิตให้ การไฟฟ้าส่วนภูมิภาค ซึ่งการไฟฟ้าส่วนภูมิภาคของสงวนสิทธิ์ในการเข้าตรวจสอบในขั้นตอนการผลิต (In Process) หรือให้ผู้แทน รวมถึงหน่วยตรวจประเมินที่การไฟฟ้าส่วนภูมิภาค ให้การรับรองเข้าดำเนินการดังกล่าว โดยค่าใช้จ่ายที่เกิดขึ้นเป็นของการไฟฟ้าส่วนภูมิภาค หากต้องการตรวจสอบซ้ำเนื่องจากการตรวจสอบครั้งแรกไม่เป็นไปตามเงื่อนไข หรือหลักเกณฑ์ที่ การไฟฟ้าส่วนภูมิภาคกำหนด ผู้ชนะการเสนอราคา หรือ คู่สัญญาต้องเป็นผู้รับผิดชอบค่าใช้จ่ายที่เกิดขึ้นทั้งหมด

ข้อ ๗ กรณีผู้ยื่นข้อเสนอ เสนอผลิตภัณฑ์ที่เป็นเซอร์กิตเบรกเกอร์ สวิตช์ และอุปกรณ์ตัดตอนในระบบจำหน่าย ผู้ยื่นข้อเสนอจะต้องดำเนินการ ดังนี้

๗.๑ เซอร์กิตเบรกเกอร์ ที่จะจัดซื้อตั้งแต่ระบบ 22 KV ขึ้นไป จะต้องมีความสมบัติเป็นไปตามรายละเอียดสเปค (Specifications) ของการไฟฟ้าส่วนภูมิภาค และต้องมีคุณสมบัติข้อใดข้อหนึ่ง ดังนี้

๗.๑.๑ ผลิตโดยผู้ผลิตที่มีประสบการณ์ในการผลิตอุปกรณ์ประเภทดังกล่าวมาแล้วไม่น้อยกว่า ๓ ปี และต้องเคยติดตั้งใช้งานโดยไม่มีปัญหาในสถานีไฟฟ้าของภาครัฐ และหรือเอกชนในประเทศที่เชื่อถือได้ มาแล้วไม่น้อยกว่า ๑ แห่ง โดยกรณีนี้ ผู้ยื่นข้อเสนอ จะต้องยื่นเอกสารแสดงประวัติการขาย (Reference List) หรือ หนังสือรับรองจากลูกค้า มาพร้อมกับการยื่นข้อเสนอ หรือ

๗.๑.๒ เป็นผลิตภัณฑ์ที่ผ่านการขึ้นทะเบียนกับการไฟฟ้าส่วนภูมิภาคแล้ว ได้แก่ การขึ้นทะเบียน PEA Product Acceptance หรือ PEA Product list หรือการขึ้นทะเบียนอื่นๆ ที่ การไฟฟ้าส่วนภูมิภาคกำหนด โดยกรณีนี้ ผู้ยื่นข้อเสนอ จะต้องยื่นหนังสือรับรองการขึ้นทะเบียนที่ ยังไม่หมดอายุ มาพร้อมกับการยื่นข้อเสนอ หรือ

๗.๑.๓ เป็นผลิตภัณฑ์ที่ผ่านการทดลองติดตั้งใช้งานในระบบของการไฟฟ้าส่วนภูมิภาคสำนักงานใหญ่แล้ว โดยกรณีนี้ ผู้ยื่นข้อเสนอจะต้องยื่นเอกสารรับรองการผ่านการทดลองติดตั้งใช้งานจากการไฟฟ้าส่วนภูมิภาค มาพร้อมกับการยื่นข้อเสนอ

๗.๒ สวิตช์ และอุปกรณ์ตัดตอนในระบบจำหน่ายที่จะจัดซื้อ ตั้งแต่ระบบ 22 kV ขึ้นไป อันได้แก่ Dropout fuse cutout, Disconnecting switches, Air break switches, Remote controlled switches (SF₆, gas load break switches). Automatic switching equipment for switching power capacitor bank และ Recloser จะต้องมีความสมบัติเป็นไปตามรายละเอียดสเปค (Specifications) ของการไฟฟ้าส่วนภูมิภาค และต้องมีคุณสมบัติข้อใดข้อหนึ่ง ดังนี้

๗.๒.๑ ผลิตโดยผู้ผลิตที่มีประสบการณ์ในการผลิตอุปกรณ์ประเภทดังกล่าวมาแล้ว ไม่น้อยกว่า ๓ ปี และต้องเคยติดตั้งใช้งานในระบบจำหน่ายมาแล้วไม่น้อยกว่า ๔๐๐ ชุด โดยกรณีนี้ ผู้ยื่นข้อเสนอ จะต้องยื่นเอกสารแสดงประวัติการขาย (Reference List) หรือ หนังสือรับรองจากลูกค้า มาพร้อมกับการยื่นข้อเสนอ หรือ

๗.๒.๒ เป็นผลิตภัณฑ์ที่ผ่านการขึ้นทะเบียนกับการไฟฟ้าส่วนภูมิภาคแล้ว ได้แก่ การขึ้นทะเบียน PEA Product Acceptance หรือ PEA Product List หรือการขึ้นทะเบียนอื่นๆ ที่การไฟฟ้าส่วนภูมิภาคกำหนด โดยกรณีนี้ ผู้ยื่นข้อเสนอ จะต้องยื่นหนังสือรับรองการขึ้นทะเบียนที่ยังไม่หมดอายุ มาพร้อมกับการยื่นข้อเสนอ หรือ

๗.๒.๓ เป็นผลิตภัณฑ์ที่ผ่านการทดลองติดตั้งใช้งานในระบบของการไฟฟ้าส่วนภูมิภาคสำนักงานใหญ่แล้ว โดยกรณีนี้ ผู้ยื่นข้อเสนอจะต้องยื่นเอกสารรับรองการผ่านการทดลองติดตั้งใช้งานจากการไฟฟ้าส่วนภูมิภาคมาพร้อมกับการยื่นข้อเสนอ

๗.๓ ผู้ยื่นข้อเสนอสามารถเสนอขายเซอร์กิตเบรกเกอร์ สวิตช์หรืออุปกรณ์ตัดตอนในระบบจำหน่าย จากผู้ผลิตที่ไม่มีคุณสมบัติตามที่ระบุไว้ในข้อ ๗.๑ หรือ ๗.๒ ดังกล่าวได้ แต่ต้องเป็นผู้ที่ผลิตภายใต้ใบอนุญาต (License) และจะต้องประทับตราเครื่องหมายการค้า (Brand-Name or Trade-mark) เดิมของผู้ให้ใบอนุญาตบนพัสดุ โดยผู้ให้ใบอนุญาต (Licensor) จะต้องมีคุณสมบัติตามข้อ ๗.๑.๑ หรือ ๗.๒.๑ แล้วแต่กรณี

โดยกรณีนี้ผู้ผลิตภายใต้ใบอนุญาตจะต้องทำการทดสอบเฉพาะแบบ (Design or Type tests) เซอร์กิตเบรกเกอร์ สวิตช์ หรืออุปกรณ์ตัดตอนในระบบจำหน่ายตามมาตรฐานที่กำหนดไว้ในรายละเอียดสเปค (Specification) ใหม่ทั้งหมด

ทั้งนี้ ผู้ยื่นข้อเสนอต้องยื่นใบอนุญาต (License) ที่ยังไม่หมดอายุ มาพร้อมกับการยื่นข้อเสนอ ประวัติการขาย (Reference List) หรือ หนังสือรับรองจากลูกค้า ของผู้ให้ใบอนุญาต (Licensor) มาพร้อมกับการยื่นข้อเสนอ

๗.๔ หากผู้ยื่นข้อเสนอ เสนอรายละเอียดไม่เป็นไปตามข้อ ๗.๑, ๗.๒ และ ๗.๓ ข้างต้น การไฟฟ้าส่วนภูมิภาคสงวนสิทธิที่จะไม่จัดซื้อ

ข้อ ๘ กรณีที่อุปกรณ์ไฟฟ้าหลักสำหรับติดตั้งใช้งานในระบบสายส่ง 115 kV และระบบจำหน่าย 22 kV และ 33 kV อันได้แก่ หม้อแปลงไฟฟ้า รีโคลสเซอร์ เซอร์กิตเบรกเกอร์ อุปกรณ์ป้องกัน สวิตช์ อุปกรณ์ตัดตอน ลูกถ้วยไฟฟ้า สายไฟฟ้า หม้อแปลงกระแส (Current transformers) หม้อแปลงแรงดัน (Voltage transformers) รวมถึงมิเตอร์งานหมุนชนิด ๑ เฟส และ ๓ เฟส สำหรับวัดพลังงานไฟฟ้า ผลิตภัณฑ์ใดก็ตามที่การไฟฟ้าส่วนภูมิภาค จัดซื้อในแต่ละสัญญา และติดตั้งใช้งานภายในระยะเวลา ๒ ปี นับจากวันที่ การไฟฟ้าส่วนภูมิภาค มีหนังสือแจ้งผลการตรวจรับงวดสุดท้าย หรือภายในระยะเวลาอื่นตามที่รายละเอียดสเปค (Specification) กำหนด มีสถิติการชำรุดอันเนื่องมาจากคุณภาพของผลิตภัณฑ์ เกินกว่าเกณฑ์ที่กำหนดไว้ในรายละเอียดสเปค (Specification) หรือกำหนดไว้ในเงื่อนไขอื่นๆ ในขอบเขตของงาน (TOR) หรือกำหนดไว้ในสัญญาจัดซื้อ การไฟฟ้าส่วนภูมิภาคจะตัดสิทธิการเสนอราคาผลิตภัณฑ์ดังกล่าว และจะไม่จัดซื้อเป็นการชั่วคราวทั้งในระหว่างการพิจารณาจัดซื้อ และที่จะประกาศจัดซื้อใหม่จนกว่าผู้ผลิตหรือ ผู้แทนจำหน่ายผลิตภัณฑ์นั้นๆ จะส่งแผนการปรับปรุงคุณภาพผลิตภัณฑ์ และดำเนินการแก้ไขให้เป็นที่ยอมรับจาก การไฟฟ้าส่วนภูมิภาคแล้ว

และต้องพันกำหนดระยะเวลา ๖ เดือน นับจากวันที่ การไฟฟ้าส่วนภูมิภาค มีหนังสือแจ้งตัดสิทธิการเสนอราคาผลิตภัณฑ์ดังกล่าวด้วย

ทั้งนี้ เงื่อนไขดังกล่าวจะไม่มีผลใช้บังคับย้อนหลังไปถึงการจัดซื้อที่ยังไม่มีเงื่อนไขกำหนดไว้

ข้อ ๙ ผู้ชนะการเสนอราคาจะต้องแจ้งกำหนดวันส่งมอบพัสดุเป็นลายลักษณ์อักษรให้หน่วยงานจัดซื้อ และ/หรือ หน่วยงานที่จัดจัดส่งของการไฟฟ้าส่วนภูมิภาคทราบล่วงหน้าไม่น้อยกว่า ๓ วันทำการ เพื่อที่จะได้ กำหนดนัดวันตรวจรับต่อไปและจะต้องส่งมอบพัสดุระหว่างเวลา ๐๘.๓๐ น. ถึง ๑๒.๐๐ น. ของวันที่ทำการส่งมอบด้วย

ข้อ ๑๐ การตรวจสอบสภาพด้านทานของสายอลูมิเนียมหุ้มฉนวน การไฟฟ้าส่วนภูมิภาค ได้กำหนดแนวปฏิบัติ สำหรับการทดสอบสภาพด้านทานของสายอลูมิเนียมตีเกลียวหุ้มฉนวน ตาม มอก. ๒๙๓ ฉบับล่าสุด ดังนี้

๑๐.๑ การชักตัวอย่าง

คณะกรรมการตรวจรับการไฟฟ้าส่วนภูมิภาคจะสุ่มตัวอย่างสายไฟฟ้าที่ผลิตเสร็จเรียบร้อยแล้ว (ตีเกลียวและหุ้มฉนวนแล้ว) และนำตัวอย่างมาทดสอบคุณสมบัติต่างๆ รวมทั้งการทดสอบสภาพด้านทานของสายไฟฟ้าด้วย ตามที่การไฟฟ้าส่วนภูมิภาคกำหนด

๑๐.๒ วิธีการทดสอบสภาพด้านทาน วิธีการทดสอบสภาพด้านทานเป็นไปตาม มอก. ๘๕ ฉบับล่าสุด โดยนำเฉพาะลวดตัวนำเส้นกลางมาหาค่าสภาพด้านทาน โดยวัดความต้านทานที่ อุณหภูมิห้อง แล้วปรับเป็นค่าที่อุณหภูมิ ๒๐ องศาเซลเซียส โดยวิธีการตาม มอก.กำหนด เพื่อนำไปคำนวณค่าสภาพด้านทานต่อไป

๑๐.๓ เกณฑ์ตัดสิน สายลวดอลูมิเนียมตีเกลียวจะถือว่าผ่านการทดสอบนี้ เมื่อมีค่าสภาพด้านทานไม่เกิน ค่าตามที่ มอก.๒๙๓ ฉบับล่าสุดกำหนดไว้

ข้อ ๑๑ พัสตุที่การไฟฟ้าส่วนภูมิภาคกำหนดให้มีการทดสอบเพื่อการตรวจรับในหัวข้อที่เป็นการทดสอบแบบทำลาย จนพัสตุไม่สามารถนำกลับมาใช้งานได้ คู่สัญญาจะต้องนำพัสตุใหม่มาทดแทนเพื่อให้ครบจำนวนตามที่ระบุไว้ในสัญญาก่อนการไฟฟ้าส่วนภูมิภาครับมอบพัสดุไว้ใช้งาน โดยการไฟฟ้าส่วนภูมิภาคจะมีหนังสือแจ้งให้ส่งของมาทดแทน ภายใน ๕ วันทำการนับจากวันที่ได้รับหนังสือแจ้ง หากคู่สัญญาไม่นำมาทดแทนภายในเวลาที่กำหนด การไฟฟ้าส่วนภูมิภาคจะคิดค่าปรับกรณีส่งของล่าช้าในอัตราร้อยละ ๐.๒๐ ของมูลค่าพัสตุที่นำมาทดแทน และผู้ขายต้องรับพัสตุที่ทดสอบแล้วชำระคืนกลับไป ภายใน ๓๐ วัน หลังจากได้นำพัสตุมาทดแทนให้การไฟฟ้าส่วนภูมิภาคแล้ว หากผู้ขายไม่ประสงค์จะรับพัสดคืนให้ทำหนังสือแจ้งการไฟฟ้าส่วนภูมิภาคทราบเพื่อที่จะดำเนินการต่อไป

ข้อ ๑๒ การชำระราคาพัสดุตกลงซื้อขายกันการไฟฟ้าส่วนภูมิภาคจะชำระภายในเวลา ๓๐ วัน นับถัดจากวันที่การไฟฟ้าส่วนภูมิภาคได้ทำการตรวจรับพัสดุตที่คู่สัญญาส่งมอบถูกต้องเรียบร้อยแล้วในแต่ละงวด และห้ามคู่สัญญาโอนสิทธิเรียกร้องการรับเงินให้กับบุคคลภายนอก

ข้อ ๑๓ ผู้ชนะการเสนอราคาจะต้องรับประกันความชำรุดบกพร่องอันเนื่องมาจากการใช้งานตามปกติของพัสดุเป็นเวลาไม่น้อยกว่า ๑ ปี นับถัดจากวันที่การไฟฟ้าส่วนภูมิภาคได้รับมอบแล้ว เว้นแต่

๑๓.๑ ปูนซีเมนต์ปอร์ตแลนด์ประเภทเกิดแรงสูงเร็ว ต้องรับประกันคุณภาพเป็นเวลาไม่น้อยกว่า ๓๐ วัน นับถัดจากวันที่การไฟฟ้าส่วนภูมิภาคได้รับมอบแล้ว

๑๓.๒ พัสตุประเภทดังต่อไปนี้ต้องรับประกันคุณภาพเป็นเวลาไม่น้อยกว่า ๓ ปี เว้นแต่รายละเอียดสเปค (Specification) กำหนดระยะเวลารับประกันคุณภาพไว้มากกว่า ๓ ปี นับถัดวันที่การไฟฟ้าส่วนภูมิภาคได้รับมอบแล้ว ให้ถือระยะเวลารับประกันคุณภาพที่กำหนดไว้ในรายละเอียดสเปค

-On-load tap-changing power transformers for 115 kV subtransmission substation

- Three-phase automatic voltage regulators (AVR) for 22 kV and 33 kV 50 Hz distribution System
- Single-phase and Three-phase transformers for 22 kV and 33 kV 50 Hz distribution system with and without ability to withstand short circuit
- Remote controlled switches for 22 kV and 33 kV 50 Hz distribution system
- Solid dielectric three-phase automatic reclosers for 22 kV and 33 kV 50 Hz distribution System
- Automatic switching equipment for HV power capacitor Bank
- Single-phase and Three-phase electromechanica and electronic energy meters

๑๓.๓ พัสตุที่จะจัดซื้อเป็น Porcelain cable spacer with grip locks and High-Density Polyethylene (HDPE) cable spacers and snap-tie ต้องรับประกันคุณภาพเป็นเวลาไม่น้อยกว่า ๕ ปี นับถึงวันที่การไฟฟ้าส่วนภูมิภาคได้รับมอบแล้ว

ถ้าพัสตุเกิดความบกพร่องเนื่องจากวัสดุหรือฝีมือไม่ดี ต้องรีบจัดการแก้ไขหรือเปลี่ยนใหม่ ให้เรียบร้อยโดยไม่คิดมูลค่า ภายใน ๓๐ วัน นับถัดจากวันที่ได้รับแจ้งจากการไฟฟ้าส่วนภูมิภาค และหากความบกพร่องดังกล่าวเป็นเหตุให้เกิดความเสียหายหรือเกิดอุบัติเหตุใดๆขึ้น ผู้ชนะการเสนอราคาจะต้องรับผิดชอบค่าใช้จ่ายเสียหายทั้งหมด ตามข้อกำหนดทั่วไป และ/หรือรายละเอียดสเปค (Specification) จะกำหนดไว้ โดยไม่มีข้อโต้แย้งใดๆ

ในกรณีที่ผู้ชนะการเสนอการารับพัสตุไปแก้ไข หรือการไฟฟ้าส่วนภูมิภาคส่งมอบพัสตุให้ผู้ชนะการเสนอราคาไปดำเนินการแก้ไข และผู้ชนะการเสนอการาส่งมอบพัสตุที่แก้ไขแล้วคืนเกินกำหนดเวลา ๓๐ วัน ผู้ชนะการเสนอราคาต้องขยายกำหนดเวลารับประกันความชำรุดบกพร่องเท่ากับจำนวนวันที่เกินจากกำหนด ๓๐ วัน โดยนับต่อจากวันครบกำหนดเวลารับประกันเดิม สำหรับกรณีที่แก้ไขแล้วเสร็จพ้นกำหนดเวลารับประกัน ให้ขยายกำหนดตามจำนวนวันที่เกินจากกำหนด ๓๐ วัน โดยนับต่อจากวันส่งมอบพัสตุที่แก้ไขเสร็จเรียบร้อยแล้วแต่กรณี และยอมให้การไฟฟ้าส่วนภูมิภาคปรับเป็นรายวันในอัตรา ร้อยละ ๐.๐๔๑๐๙ ของราคาพัสตุรวมภาษีมูลค่าเพิ่ม ที่แก้ไขเกินกำหนด

ข้อ ๑๔ โครงการจัดซื้อจัดจ้างที่มีวงเงินตั้งแต่ ๕๐๐ ล้านบาทขึ้นไป รวมถึงการจัดซื้อจัดจ้างแบบเป็นกลุ่มประกวดราคา (Bid Group) ที่มีวงเงินตั้งแต่ ๕๐๐ ล้านบาทขึ้นไป (ตามประกาศคณะกรรมการความร่วมมือป้องกันการทุจริต เรื่อง มาตรฐานขั้นต่ำของนโยบายและแนวทางป้องกันการทุจริตในการจัดซื้อจัดจ้างที่ผู้ประกอบการ ต้องจัดให้มี ตามมาตรา ๑๙ แห่งพระราชบัญญัติการจัดซื้อจัดจ้างและการบริหารพัสดุภาครัฐ พ.ศ. ๒๕๖๐) ผู้เข้าร่วมการเสนอราคาจะต้องมีนโยบายและแนวทางการป้องกันการทุจริตในการจัดซื้อจัดจ้าง พร้อมทั้ง ต้องแนบเอกสารหลักฐาน และแบบตรวจสอบข้อมูลของผู้ประกอบการที่จะเข้าร่วมการเสนอราคาในโครงการที่มีวงเงินตั้งแต่ ๕๐๐ ล้านบาทขึ้นไป ประกอบเป็นเอกสารการเสนอราคา โดยผู้ประกอบการจะต้องมีการดำเนินการตามแบบตรวจสอบข้อมูลครบถ้วนทุกข้อจึงจะผ่านการพิจารณาคุณสมบัติของ ผู้เสนอราคา

ทั้งนี้เงื่อนไขตามข้อ ๑๔ ดังกล่าวจะเริ่มใช้ตั้งแต่วันที่ ๕ กุมภาพันธ์ ๒๕๖๒ เป็นต้นไป

ข้อ ๑๕ โครงการจัดซื้อจัดจ้างที่มีวงเงินตั้งแต่ ๑,๐๐๐ ล้านบาทขึ้นไป จะต้องดำเนินการตามประกาศคณะกรรมการความร่วมมือป้องกันการทุจริต (ค.ป.ท.) เรื่องแนวทางและวิธีการในการดำเนินงานโครงการความร่วมมือป้องกันการทุจริตในการจัดซื้อจัดจ้างภาครัฐ แบบของข้อตกลงคุณธรรม การคัดเลือกผู้สังเกตการณ์ และการจัดทำรายงานตามมาตรา ๑๗ และ มาตรา ๑๘ แห่งพระราชบัญญัติการจัดซื้อจัดจ้างและการบริหารพัสดุภาครัฐ พ.ศ. ๒๕๖๐ และได้รับ คัดเลือก จากคณะกรรมการความร่วมมือป้องกันการทุจริต (ค.ป.ท.) ให้จัดทำข้อตกลงคุณธรรม (integrity pact :IP)

ผู้ประสงค์จะเข้าร่วมการเสนอราคาในโครงการจัดทำข้อตกลงคุณธรรมจะต้องลงนามในข้อตกลงคุณธรรมซึ่งเป็นเอกสารที่ยื่นพร้อมกับเอกสารเสนอราคา หากไม่ลงนามในข้อตกลงคุณธรรมจะไม่มีสิทธิเข้าร่วมการเสนอราคาในโครงการนั้น