



การไฟฟ้านครหลวง
PROVINCIAL ELECTRICITY AUTHORITY

PROVINCIAL ELECTRICITY AUTHORITY

TECHNICAL SPECIFICATION DIVISION

THREE-PHASE TRANSFORMERS FOR 22 kV AND 33 kV 50 Hz DISTRIBUTION SYSTEMS WITH ABILITY TO WITHSTAND SHORT CIRCUIT

Specification No. RTRN-035/2561

Approved date : 30/05/2562

Rev. No. : 5

Form No. 02-3S

Page 1 of 32

Invitation to Bid No.:

C Material, equipment, and specifications for THREE-PHASE TRANSFORMERS FOR 22 kV AND 33 kV 50 Hz DISTRIBUTION SYSTEMS WITH ABILITY TO WITHSTAND SHORT CIRCUIT

C1 General material and packing instructions

Additional to the general instructions, the following shall be observed:

1a Scope

These specifications cover three-phase transformers, oil-immersed, natural self-cooled, power range from 50 kVA to 2,000 kVA, designed and constructed to withstand without damage the thermal and dynamic effects of external short circuits, suitable for outdoor installation on 22 kV and 33 kV 50 Hz distribution systems.

1b Standards

The transformers shall be manufactured and tested in accordance with the following standards:

Thailand Industrial Standard (TIS)

TIS 384: 2543 Power Transformers

International Electrotechnical Commission (IEC)

IEC 60076-1:2011 Power transformers– Part 1: General

IEC 60076-2:2011 Power transformers – Part 2: Temperature rise for liquid-immersed transformers

IEC 60076-3:2013 Power transformers – Part 3: Insulation levels, dielectric tests and external clearances in air

IEC 60076-5:2006 Power transformers – Part 5: Ability to withstand short circuit

IEC 60296: 2012 Fluids for electrotechnical applications – Unused mineral insulating oils for transformers and switchgear

International Organization for Standardization

ISO 12944-5:2007 Paints and varnishes - Corrosion protection of steel structures by protective paint systems - Part 5: Protective paint systems

LV bushings shall be in accordance with the DIN 42530. HV bushings shall be in accordance with the DIN 42531.

And all other relevant standards, unless otherwise specified in these specifications.

PEA will also accept the transformers and accessories tested in accordance with the later edition of the above standards.



การไฟฟ้านครหลวง
PROVINCIAL ELECTRICITY AUTHORITY

PROVINCIAL ELECTRICITY AUTHORITY

TECHNICAL SPECIFICATION DIVISION

THREE-PHASE TRANSFORMERS FOR 22 kV AND 33 kV 50 Hz DISTRIBUTION SYSTEMS WITH ABILITY TO WITHSTAND SHORT CIRCUIT

Specification No. RTRN-035/2561

Approved date : 30/05/2562

Rev. No. : 5

Form No. 02-3S

Page 2 of 32

PEA will also accept the type test report in accordance with the previous edition of the above standards, if there is no significant change in any test items or no additional test item(s) compared with the above standards. On the other hand, if there is significant change in any test items or there are any additional test items, the previous edition type test report with the additional test report(s) of the significant change test item(s) and/or additional test item(s) will be also accepted.

1c Principal requirement

1c.1 Service conditions and installation

The transformers shall be designed and constructed for outdoor installation and operation under the following conditions:

Altitude	: up to 1,000 m above sea level
Ambient air temperature	: 50°C, maximum
	: 40°C, monthly average, of the hottest month
Relative humidity	: up to 94%
Climate condition	: tropical climate

Table 1 Transformer installation

Transformer Rating (kVA)	Installation
50 – 250	on concrete pole and on platform
315 – 1,500	on platform and on concrete foundation
2,000	on concrete foundation

1c.2 Oil preservation system

The transformers of **50 kVA to 500 kVA** shall be permanently sealed and completely oil filled system (without gas cushion) type (usually corrugated tank). The transformer tank cover shall be bolt tightened to the tank with suitable gasket sealing.

The transformers of **630 kVA to 2,000 kVA** shall be conservator system type.

1c.3 Rating

1. Rated power

The rated power, on continuous operation, for transformers shall be as follows:

50 kVA	250 kVA	500 kVA	1,000 kVA	2,000 kVA
100 kVA	315 kVA	630 kVA	1,250 kVA	
160 kVA	400 kVA	800 kVA	1,500 kVA	



การไฟฟ้าส่วนภูมิภาค
PROVINCIAL ELECTRICITY AUTHORITY

PROVINCIAL ELECTRICITY AUTHORITY

TECHNICAL SPECIFICATION DIVISION

THREE-PHASE TRANSFORMERS FOR 22 kV AND 33 kV 50 Hz DISTRIBUTION SYSTEMS WITH ABILITY TO WITHSTAND SHORT CIRCUIT

Specification No. RTRN-035/2561

Approved date : 30/05/2562

Rev. No. : 5

Form No. 02-3S

Page 3 of 32

2. Rated voltages

The rated voltage of windings is given in Table 2.

Table 2 Rated voltage

Rated Primary Voltage	Rated Secondary Voltage
22 kV, 33 kV	416/240 V

3. Rated frequency: 50 Hz

1c.4 Core and windings

The cores and windings of transformers shall be as follows:

Table 3 Core and windings

Transformer Rating (kVA)	Construction of Core	HV and LV Windings shall be made of	Construction of Windings	
			HV winding	LV winding
50-2,000	According to manufacturer's standard	copper only	According to manufacturer's standard	According to manufacturer's standard

1c.5 Tappings

The primary windings of transformers shall be provided with full capacity of externally-operated off-circuit tap changers.

Tapping range: $\pm 2 \times 2.5\%$ of rated primary voltage

The externally-operated off-circuit tap changer shall be designed for de-energized operation with the operating handle brought out through the cover of the tank. The operating handle shall have provision for locking and shall give visual indication of the tapping position without unlocking.

The tap changer shall have a locking device to prevent improper use. The operating handle shall be rotated in clockwise direction from a high tap voltage to a lower tap voltage. The tap changer shall be provided with stops to identify the highest and lowest tap position. The tap changer positions shall be identified by the numbers in sequence. The number "1" shall be designated to the highest tap voltage. Consequently the number "5" indicates the lowest tap voltage. These identifications shall be in perfect correspondence to those indicated in the connection diagram on the nameplate. All five positions of the tap changer shall be operative positions.

The tap positions shall be indelibly marked with weather-proof paint and in a color which shall present distinctive contrast to the surrounding material.

The operating handle of tap changer shall be made from non-corrosion metal. Plastic is not acceptable.



การไฟฟ้าส่วนภูมิภาค
PROVINCIAL ELECTRICITY AUTHORITY

PROVINCIAL ELECTRICITY AUTHORITY

TECHNICAL SPECIFICATION DIVISION

THREE-PHASE TRANSFORMERS FOR 22 kV AND 33 kV 50 Hz DISTRIBUTION SYSTEMS WITH ABILITY TO WITHSTAND SHORT CIRCUIT

Specification No. RTRN-035/2561

Approved date : 30/05/2562

Rev. No. : 5

Form No. 02-3S

Page 4 of 32

1c.6 Connection symbol

50 kVA to 2,000 kVA transformers shall have connection symbol Dyn 11.

1c.7 Losses and Short - circuit impedance

The specified or guaranteed losses plus positive tolerance, for each transformer unit shall not be more than the losses are shown in the **Table 4**.

Short-circuit impedance shall be measured on the principle tapping of 22 or 33 kV at ambient temperature then corrected to 75°C.

Short-circuit impedance of the offered transformers shall be as specified in the **Table 4** and have tolerance within $\pm 10\%$ except for transformer rating 500 kVA, the short-circuit impedance at 75°C of transformer rating 500 kVA shall be 6.5 or more.

Table 4 Losses and short circuit impedance

Transformer Rating (kVA)	Watt Loss (W)			Short-circuit Impedance at 75°C (%)
	No-load loss, for system voltage of :		Load loss at 75°C	
	22 kV	33 kV		
50	110	170	875	4
100	180	260	1450	4
160	260	370	2000	4
250	360	520	2750	4
315	440	630	3250	4
400	520	750	3850	4
500	610	900	4600	6.5 or more
630	680	1050	5600	6
800	800	1150	7000	6
1,000	940	1300	9000	6
1,250	1150	1530	11000	6
1,500	1380	1850	13200	6
2,000	1800	2140	18000	6

1c.8 Limits of temperature-rise, above 50°C ambient temperature

Of top oil : not exceeding 50 K

Of winding : not exceeding 55 K



PROVINCIAL ELECTRICITY AUTHORITY

TECHNICAL SPECIFICATION DIVISION

**THREE-PHASE TRANSFORMERS FOR 22 kV AND 33 kV 50 Hz DISTRIBUTION SYSTEMS
WITH ABILITY TO WITHSTAND SHORT CIRCUIT**

Specification No. RTRN-035/2561

Approved date : 30/05/2562

Rev. No. : 5

Form No. 02-3S

Page 5 of 32

1c.9 Insulation level

The insulation level of HV windings, LV windings and connected parts of transformers shall be as specified in the **Table 5**:

Table 5 Insulation level

Nominal System Voltage (kV, r.m.s.)	Insulation Level	
	Impulse Test Voltage Full-wave (kV, peak)	Power Frequency Test Voltage, 1-min (kV, r.m.s.)
22	125	50
33	170	70
0.416/0.24	30	10

1c.10 Bushings

1. Number and location

Each transformer shall have three (3) high-voltage bushings and four (4) low-voltage bushings located on the cover of the tank.

Secondary neutral point of transformer shall be brought out by separate-insulated bushing(s) and loaded with rated current.

The HV bushings shall not be completed with the arcing horns.

2. Material

Transformer bushings shall be made of good commercial-grade wet-process porcelain.

The entire porcelain surface of the bushings that will be exposed after assembly shall be glazed.

The color of the glaze shall be brown.

3. Electrical characteristics

Transformer bushings shall be capable of withstanding the impulse and low-frequency voltage specified in the **Table 6**:

Table 6 Electrical characteristics

Bushing	Impulse Full Wave (kV, peak)	Low-frequency, 50 Hz (kV, r.m.s.)	
		Dry 1-minute	Wet 10-second
High-voltage bushings for 22 kV system	125	50	50
High-voltage bushings for 33 kV system	170	70	70
Low-voltage bushings	30	10	10



การไฟฟ้าส่วนภูมิภาค
PROVINCIAL ELECTRICITY AUTHORITY

PROVINCIAL ELECTRICITY AUTHORITY

TECHNICAL SPECIFICATION DIVISION

THREE-PHASE TRANSFORMERS FOR 22 kV AND 33 kV 50 Hz DISTRIBUTION SYSTEMS WITH ABILITY TO WITHSTAND SHORT CIRCUIT

Specification No. RTRN-035/2561

Approved date : 30/05/2562

Rev. No. : 5

Form No. 02-3S

Page 6 of 32

4. Minimum Clearance

Safety clearance of Transformer bushings shall comply with minimum Clearance Criterion, which measurement between live part to live part or live part to ground shall be as follows.

- At least 225 mm for 22 kV System
- At least 320 mm for 33 kV System

5. Test report

The bidders have to submit the test report of bushing with the bid in order to confirm the electrical characteristic in **Table 6 Electrical characteristics**, the bidders who cannot submit will be rejected. The test of bushing can be conducted by manufacturer or third party laboratories.

1c.11 Terminal connectors

HV bushings shall be equipped with solderless clamp type connectors for aluminium conductor diameter range from 7.5 mm to 12.6 mm (sizes 35-95 mm²).

Only for 50 kVA to 1,250 kVA transformers: LV bushings shall be equipped with terminal pad connectors (stud type connectors are preferable), of high conductivity bronze and hot-tin dipped. The terminal pads shall be drilled in accordance with NEMA Standards (9/16" holes on 1 3/4" centers); each hole shall be furnished with one (1) bolt M12 x 60 mm (of at least 50 mm thread length), one (1) nut, two (2) flat washers, and one (1) lock washer; details of terminal pads shall be according to Drawing No. SA4-015/47002. The connectors shall be provided with mounting hardware (bolts, nuts, washers, and lock washers) of stainless steel or better.

Only for 1,500 kVA to 2,000 kVA transformers: LV bushings shall be equipped with solderless clamp type connectors (stud type connectors are preferable), of high conductivity bronze and hot-tin dipped, for aluminium and copper conductor sizes, and number of circuits take off shall be as **Table 7:**

Table 7 Terminal connectors for 1,500 kVA to 2,000 kVA transformers

Transformer Rating (kVA)	Applicable to Aluminium and Copper Conductors		Number of Circuits
	diameter range (mm)	sizes (mm ²)	
1,500	18.4 - 29.2	240 - 500	4
2,000	18.4 - 29.2	240 - 500	6

The connectors shall be provided with mounting hardware (bolts, nuts, washers, and lock washers) of stainless steel or better. The details of connectors shall be according to Drawing No. SA4-015/47002.



การไฟฟ้าส่วนภูมิภาค
PROVINCIAL ELECTRICITY AUTHORITY

PROVINCIAL ELECTRICITY AUTHORITY

TECHNICAL SPECIFICATION DIVISION

THREE-PHASE TRANSFORMERS FOR 22 kV AND 33 kV 50 Hz DISTRIBUTION SYSTEMS WITH ABILITY TO WITHSTAND SHORT CIRCUIT

Specification No. RTRN-035/2561

Approved date : 30/05/2562

Rev. No. : 5

Form No. 02-3S

Page 7 of 32

1c.12 Tank and Tank finish

Tank and cover shall be constructed of welded steel plate suitable reinforced. The joints between the tank and cover shall be provided with suitable flanges properly bolted together with gaskets.

Tank cover shall have 90° downward bent edges on all sides to protect the gasket under the top cover from direct exposure to weather.

Gaskets between metal surfaces shall be set in grooves or held in position by retainers so arranged that all parts are bolted metal-to-metal. The gaskets shall be made of resilient material which will not deteriorate under the action of hot oil and will remain oil-tight. Gaskets of such material which can be easily damaged by overpressing are not acceptable.

The transformer tank shall be finished with mounting bracket for surge arrester (Surge arrester polymer housing type supplied by PEA) and shall be furnished with three (3) earthing terminal provided for ground leads of surge arrester, see Drawing No. SA4-015/50008.

The bidders have to give the transformer's tank dimensions which passed type test in **2a Performance data and guarantee of three-phase transformer (Page 29 of 32)**.

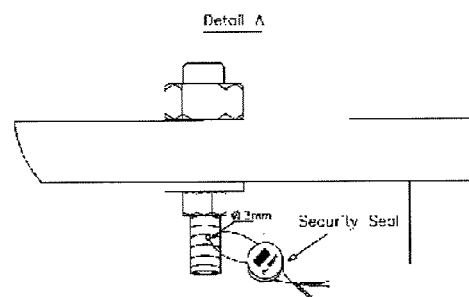
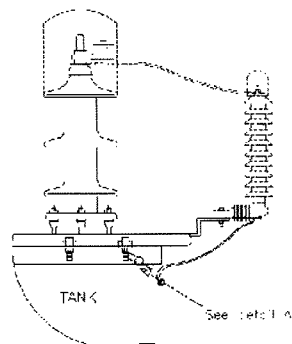
Tolerance of the transformer's tank dimensions for the purposed transformer shall be within ± 3 percent of the declared dimensions which given by the bidders in above information, Otherwise shall be rejected.

The distance between tank cover (Top plate) and fins which is installed the earthing terminal for surge arrester shall not less than 200 mm.

The manufacturer's serial number shall be dented on transformer tank cover.

The manufacture shall prepare 3 mm diameter holes for security seals threading. The first position, the hole shall be drilled at the right last bolt which fix tank and cover of transformer and the second position, the hole shall be drilled at the top right of transformer nameplate as **Figure 1**.

The security seals will be installed by PEA after any transformers pass the witness test or acceptance test or others depend on PEA's committee.





การไฟฟ้าส่วนภูมิภาค
PROVINCIAL ELECTRICITY AUTHORITY

PROVINCIAL ELECTRICITY AUTHORITY

TECHNICAL SPECIFICATION DIVISION

THREE-PHASE TRANSFORMERS FOR 22 kV AND 33 kV 50 Hz DISTRIBUTION SYSTEMS WITH ABILITY TO WITHSTAND SHORT CIRCUIT

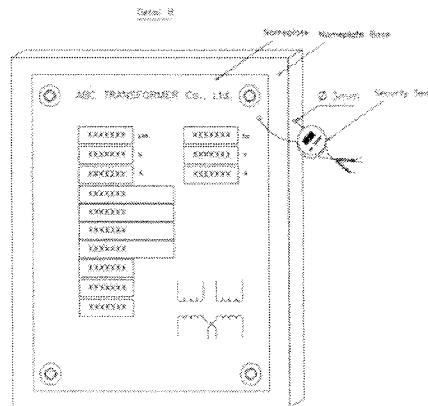
Specification No. RTRN-035/2561

Approved date : 30/05/2562

Rev. No. : 5

Form No. 02-3S

Page 8 of 32



Note : The hole shall be drilled by manufacturer and thread with security seal by PEA

Figure 1 Security seal installation

1c.12.1 Painting system

1. Interior surface

Interior surface shall be finished oil resistant paint or vanish.

2. Exterior surface

The painting system will be suitable for an exterior servicing at medium atmospheric-corrosivity category is as C3, and system number is as A.3.08 in accordance with ISO 12944-5 Table A.3.

The coating system shall be in accordance with the ISO 12944-5 as following:

- Primer coat: The number of coats is one (1) or two (2) coats of Epoxy (Misc) Anti-Corrosive Primer, the dry film thickness shall not less than 80 μm .
- Subsequent coat(s): The number of coats is two (2) to three (3) of Epoxy Intermediate and Polyurethane topcoat with RAL 7036 gray color.
- The total number of coats is two (2) to four (4) coats and the dry film thickness of coating system shall not less than 160 μm .

3. Dry film thickness test and test report

The dry film thickness shall be spot checked for each layer of coating. The position of spot checks is specified as **Figure 2** for transformers of permanently sealed type, and **Figure 3** for transformers of conservator system type.



การไฟฟ้าส่วนภูมิภาค
PROVINCIAL ELECTRICITY AUTHORITY

PROVINCIAL ELECTRICITY AUTHORITY

TECHNICAL SPECIFICATION DIVISION

**THREE-PHASE TRANSFORMERS FOR 22 kV AND 33 kV 50 Hz DISTRIBUTION SYSTEMS
WITH ABILITY TO WITHSTAND SHORT CIRCUIT**

Specification No. RTRN-035/2561

Approved date : 30/05/2562

Rev. No. : 5

Form No. 02-3S

Page 9 of 32

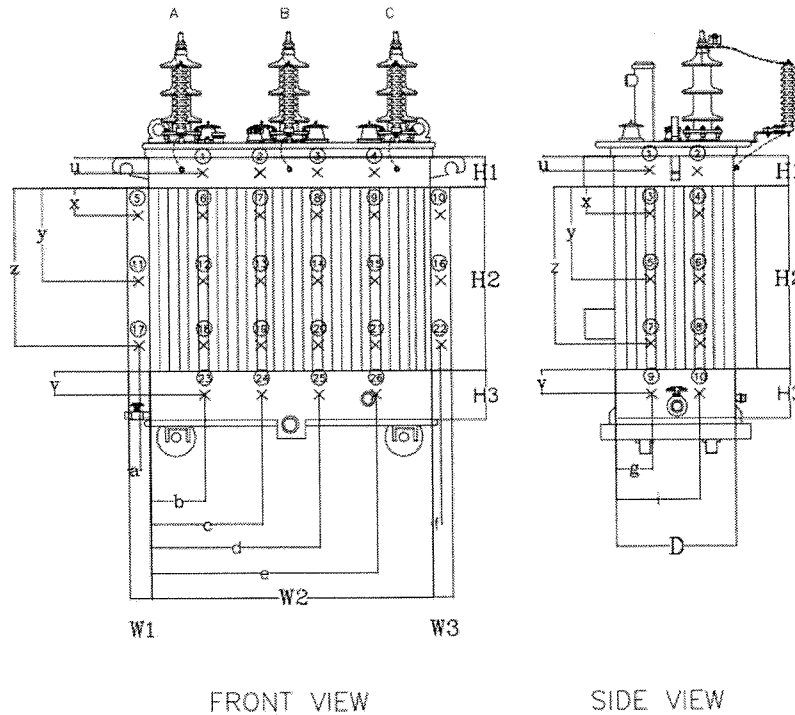


Figure 2 The position of spot checking for transformers of permanently sealed type.

The distance for spot checking of permanently sealed type is as **Table 8**:

Table 8 Distance for spot checking of permanently sealed type

Symbols	Length	Symbols	Length
a	About 1/2 of width (W1)	u	About 1/2 of height (H1)
b	About 1/5 of width (W2)	v	About 1/2 of height (H3)
c	About 2/5 of width (W2)	x	About 1/4 of height (H2)
d	About 3/5 of width (W2)	y	About 2/4 of height (H2)
e	About 4/5 of width (W2)	z	About 3/4 of height (H2)
f	About 1/2 of width (W3)		
g	About 1/3 of depth (D)		
i	About 2/3 of depth (D)		



การไฟฟ้าส่วนภูมิภาค
PROVINCIAL ELECTRICITY AUTHORITY

PROVINCIAL ELECTRICITY AUTHORITY

TECHNICAL SPECIFICATION DIVISION

THREE-PHASE TRANSFORMERS FOR 22 kV AND 33 kV 50 Hz DISTRIBUTION SYSTEMS WITH ABILITY TO WITHSTAND SHORT CIRCUIT

Specification No. RTRN-035/2561

Approved date : 30/05/2562

Rev. No. : 5

Form No. 02-3S

Page 10 of 32

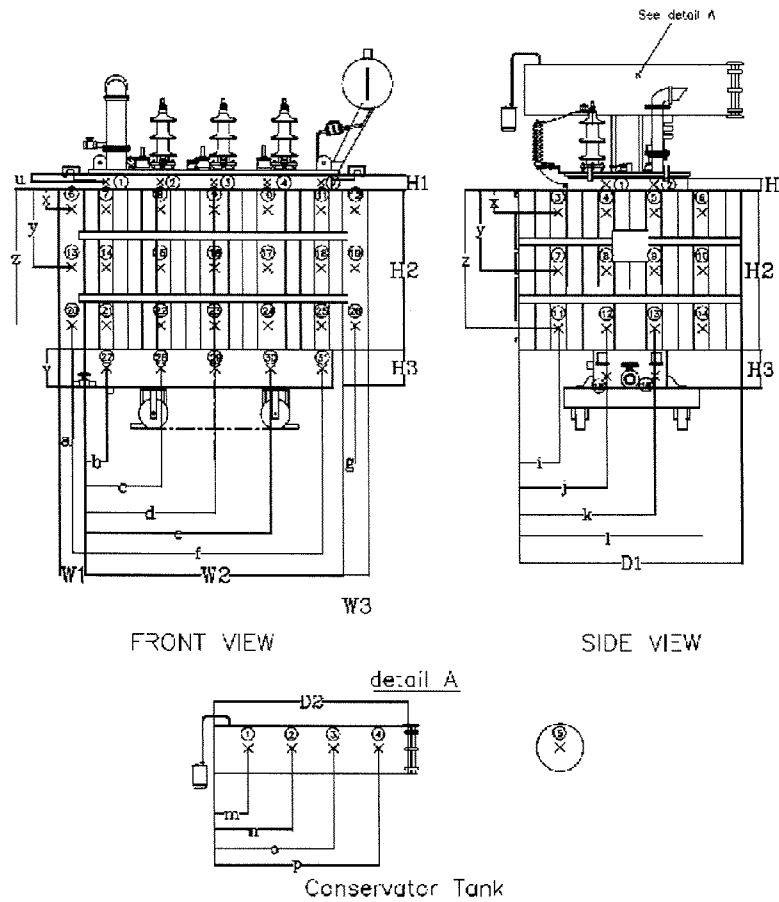


Figure 3 The position for spot checking for transformers of conservator system type.

The distance for spot checking of conservator system type is as **Table 9**:

Table 9 Distance for spot checking of conservator system type

Symbols	Length	Symbols	Length
a	About 1/2 of height (W1)	m	About 1/5 of depth (D2)
b	About 1/6 of height (W2)	n	About 2/5 of depth (D2)
c	About 2/6 of height (W2)	o	About 3/5 of depth (D2)
d	About 3/6 of height (W2)	p	About 4/5 of depth (D2)
e	About 4/6 of height (W2)	u	About 1/2 of height (H1)
f	About 5/6 of height (W2)	v	About 1/4 of width (H3)
g	About 1/2 of height (W3)	x	About 1/4 of width (H2)
i	About 1/5 of depth (D1)	y	About 2/4 of width (H2)
j	About 2/5 of depth (D1)	z	About 3/4 of width (H2)
k	About 3/5 of depth (D1)		
l	About 4/5 of depth (D1)		