

รายละเอียดคุณลักษณะเฉพาะ

ประกวดราคาอิเล็กทรอนิกส์

เลขที่ ปอ.กบญ.ฉ.2 เครื่องมือเครื่องใช้ 4012566

รายละเอียดคุณลักษณะเฉพาะของพัสดุ
ประกวดราคาอิเล็กทรอนิกส์
เลขที่ ปอ.กบญ.ฉ.2 เครื่องมือเครื่องใช้ 4012566

รายการ ที่	รายการ	หน่วย	จำนวนซื้อ
1	เครื่องมือทดสอบมิเตอร์ Three Phase Meter Test Station (Up to 20 Meters)	ชุด	1

รายละเอียดคุณลักษณะเฉพาะ (Specification)

รายการ ที่	รายการ	หน่วย	จำนวน ซื้อ
ประกวดราคา เลขที่ ปอ.กบญ.ฉ.2 พัสดุหลัก 4012566			
1	เครื่องมือทดสอบมิเตอร์ Three Phase Meter Test Station (Up to 20 Meters)	ชุด	1



PROVINCIAL ELECTRICITY AUTHORITY

POWER SYSTEM STANDARD DIVISION

Specification No.: RTES-169/2552 : Three-Phase Meter Test Station, Up To 20 Meters

Page 1 of 10

C3 Schedule of detailed requirement

Invitation to Bid No.:

Item	PEA Material No.	Quantity	Description
1	-	system(s)	<p>Three-phase meter test station: automatic certification, semi-automatic adjustment and manual setting of test current, voltage, power factor, and for simultaneously testing the large batches of three-phase energy meters of electromechanical and electronic types of class 0.2, 0.5, 1 and 2; up to twenty (20) units or more at the same time using the energy comparison method: suitable for testing of the following kinds of meters :</p> <ul style="list-style-type: none"> - three-phase 3-wire and three-phase 4-wire meters for active energy (three-phase kilowatt-hour meters) - three-phase 3-wire and three-phase 4-wire meters for reactive energy, all type of connections (three-phase kilovar-hour meters); each system shall be consisted of: <p>1.1 _____ 1 unit Meter test unit, with:</p> <p style="padding-left: 40px;">1 set Electronic power source unit:</p> <p style="padding-left: 80px;">Main switch and emergency off switch</p> <p style="padding-left: 80px;">Input voltage : 3x220/380 V, 50 Hz</p> <p style="padding-left: 80px;">Test frequency circuit</p> <p style="padding-left: 120px;">: 45 to 65 Hz adjustable in steps of 0.1 Hz</p> <p style="padding-left: 80px;">Test voltage circuit:</p> <ul style="list-style-type: none"> - range : 40 to 300 V (phase-neutral), or better - accuracy : < 0.05 % of range, or better - output power : not less than 3x1,000 VA - stability : ≤ 50 ppm/h - distortion factor : < 0.5 % - power efficiency : ≥ 85 % <p style="padding-left: 80px;">Electronic overload and short-circuit protection</p> <p style="padding-left: 80px;">Test current circuit:</p> <ul style="list-style-type: none"> - range : 1 mA to 120 A, or better - accuracy : ≤ 0.05 % of range, or better - output power : not less than 3x1,500 VA - stability : ≤ 50 ppm/h

11

PSD



PROVINCIAL ELECTRICITY AUTHORITY

POWER SYSTEM STANDARD DIVISION

Specification No.: RTES-169/2552 : Three-Phase Meter Test Station, Up To 20 Meters

Page 2 of 10

C3 Schedule of detailed requirement

Invitation to Bid No.:

Item	PEA Material No.	Quantity	Description
	II		<ul style="list-style-type: none"> - distortion factor : < 0.5 % - power efficiency : ≥ 85 % Electronic overload circuit and security to safeguard the operation at open current circuit Phase angle adjustment: <ul style="list-style-type: none"> - range : 0° to 360° - resolution of phase angle setting : 0.01°, or better 1 set Electronic reference standard : <ul style="list-style-type: none"> - Voltage : <ul style="list-style-type: none"> - range : 60 to 400 V (phase-neutral), or better - accuracy : < ± 0.01 % of range, or better - Current : <ul style="list-style-type: none"> - range : 10 mA to 120 A, or better - accuracy : <ul style="list-style-type: none"> - 10 mA to 100 mA, range : ≤ ± 0.02 % of range, or better - 100 mA to 120 A, range : ≤ ± 0.01 % of range, or better - Frequency : <ul style="list-style-type: none"> - range : 45 to 65 Hz

PSD



PROVINCIAL ELECTRICITY AUTHORITY

POWER SYSTEM STANDARD DIVISION

Specification No.: RTES-169/2552 : Three-Phase Meter Test Station, Up To 20 Meters

Page 3 of 10

C3 Schedule of detailed requirement

Invitation to Bid No.:

Item	PEA Material No.	Quantity	Description
			<p>- Error of active and reactive (power/energy) :</p> <ul style="list-style-type: none"> - $\cos\Phi = 1$: $\leq \pm 0.02$ % of range, or better, - $\cos\Phi = 0.5$: $\leq \pm 0.04$ % of range, or better, - $\sin\Phi = 1$: $\leq \pm 0.02$ % of range, or better, - $\sin\Phi = 0.5$: $\leq \pm 0.04$ % of range, or better, <p><u>1</u> set. Actual value indicator with digital display (The actual indicator may not be required if the software can show all actual values on 17" LCD monitor separately from display monitor. In this case two(2) monitors shall be required and the values shall be shown on the monitors simultaneously)</p> <p>The following values can be shown:</p> <ul style="list-style-type: none"> - 3 test voltages U_1, U_2, U_3, - 3 test currents I_1, I_2, I_3, - power per phase P_1, P_2, P_3, - total power - phase angle between voltage/current per phase - frequency <p>1.2 <u>1</u> lot. The meter test rack, consisting of a rack and table. The rack shall be suitable for the suspension twenty (20) meters.</p>
	II		



PROVINCIAL ELECTRICITY AUTHORITY

POWER SYSTEM STANDARD DIVISION

Specification No.: RTES-169/2552 : Three-Phase Meter Test Station, Up To 20 Meters

Page 4 of 10

C3 Schedule of detailed requirement

Invitation to Bid No.:

Item	PEA Material No.	Quantity	Description
			<p>1.3 <u>20</u> sets. Test connection of quick connector type for each meter, universal design (for IEC, ANSI and BS meters), adjustable, suitable for bottom-connected of three-phase energy meters of all types in general use in large numbers, used on the meter racks for easy and quick connection of the meter to be tested, with:</p> <ul style="list-style-type: none"> - current cables - voltage cables with omega clamps and pins - cables for testing emitting pulse contact <p>1.4 <u>20</u> sets. Scanning device, of photoelectric scanning head/sensor head, suitable for counting disk revolutions of electromechanical type meters and for detecting LED impulses of electronic type meters. Complete with vertical and horizontal adjustment mechanism.</p> <p>1.5 <u>20</u> sets. Error display units, digital type, for individual error display for each meter under test, mounted on the meter rack at each meter test place, with:</p> <ul style="list-style-type: none"> - the display is in % - test pulse emitting contacts of meters <p>1.6 <u>1</u> lot. Current isolation transformers, for simultaneously testing the large batches (up to twenty (20) units or more) of three-phase energy meters with closed links between test voltage and test current circuit. Complete with terminals for easily change connection in case of using current isolation transformers or without current isolation transformers, with:</p> <p style="margin-left: 40px;">range : 0.5 to 100 A, or better (ratio 1 : 1)</p> <p style="margin-left: 40px;">accuracy (5 A-100 A) : $\leq + 0.1$ % (ratio error)</p> <p style="margin-left: 40px;">: $\leq \pm 2$ minute (phase error)</p>



PROVINCIAL ELECTRICITY AUTHORITY

POWER SYSTEM STANDARD DIVISION

Specification No.: RTES-169/2552 : Three-Phase Meter Test Station, Up To 20 Meters

Page 5 of 10

C3 Schedule of detailed requirement

Invitation to Bid No.:

Item	PEA Material No.	Quantity	Description
			<p>1.7 <u> </u> <u> 1 </u> sct. Hand-held terminal, for entering of individual meter data (e.g. register readings, serial numbers, etc.) with LASER SCANNER to read bar-code information from meter.</p> <p>Complete with:</p> <ol style="list-style-type: none"> 1) Protective devices for input and output circuits and for auxiliary supply circuit(s). 2) Power supply cord and plug. 3) Internal wirings, interconnection cables and connectors. 4) Instruction manual with part list and circuit diagram. 5) Training course, for at least five (5) working days of PEA's personnel, including training for operation and maintenance of the three-phase meter test station. 6) Certificate of calibration and calibration test report of reference standard meter unit from Accreditation Bodies (PTB, NPL, NIST, or equivalent) or from the laboratories, which have been accredited by such the Accreditation Bodies. 7) Others according to manufacturer's design, which shall be clearly described.



PROVINCIAL ELECTRICITY AUTHORITY

POWER SYSTEM STANDARD DIVISION

Specification No.: RTES-169/2552 : Three-Phase Meter Test Station, Up To 20 Meters

Page 6 of 10

C3 Schedule of detailed requirement

Invitation to Bid No.:

Item	PEA Material No.	Quantity	Description
	II		<p>1.8 ___ 1 ___ set. Microcomputer (Desktop PC), for single-phase 220 VAC 50 Hz power supply, with :</p> <p>CPU : Intel Core 2 Duo processors 2.8 GHz, 3 MB L2 cache, 1066 MHz FSB, or better,</p> <p>Memory : 2 GB DDR2-RAM, or better</p> <p>Hard disk : 250GB SATA Hard Drive 7200 rpm, or more,</p> <p>CD-ROM drive : DVD-RW drive, super multi drive, double layer, or better,</p> <p>Monitor : LCD 17" (1024x768 Res.), or more</p> <p>Keyboard : 104 keys, or more</p> <p>Mouse : PS/2 or USB mouse</p> <p>Network adapter : built-in Ethernet card 10/100 Mbps</p> <p>Multimedia : sound card and speakers of not less than 120 W (P.M.P.O.)</p> <p>Port & Slot : parallel & serial ports, mouse & keyboard ports, audio port and USB port</p> <p>Complete with:</p> <ol style="list-style-type: none"> 1) Software package(s), for installation and operation (Microsoft Windows XP/Vista, or later version, Thai Edition). 2) Software package(s), for automatic testing, semi-automatic testing, manual testing and recording data results. 3) Interconnecting cables, power supply cord and plug. 4) Interconnecting cables between the three-phase meter test station (1.1) and the computer system (1.8). 5) Laser printer, 600 x 600 dpi, 10 ppm, paper sizes A4, or better. 6) Desk and chair, for personal computer system. 7) Instruction manual. 8) Others according to manufacturer's design, which shall be clearly described



PROVINCIAL ELECTRICITY AUTHORITY

POWER SYSTEM STANDARD DIVISION

Specification No.: RTES-169/2552 : Three-Phase Meter Test Station, Up To 20 Meters

Page 7 of 10

C3 Schedule of detailed requirement

Invitation to Bid No.:

Item	PEA Material No.	Quantity	Description
			<p>1.9 <u> 1 </u> set. Uninterruptible power supply (UPS), for single-phase 220 VAC 50 Hz power supply, with:</p> <p>Standard : TIS 1291</p> <p>System : true on-line</p> <p>Rated power : not less than 500 VA</p> <p>Input voltage : 220 VAC \pm 10 % or better</p> <p>Input frequency : 50 Hz \pm 2 % or better</p> <p>Output voltage : 220 VAC \pm 1 % or better</p> <p>Output frequency : 50 Hz \pm 1 % or better</p> <p>Wave form : sine wave</p> <p>Total harmonic distortion : not more than 5 %</p> <p>Overload capacity : not less than 125 % for 30 seconds</p> <p>Battery type : sealed lead acid (maintenance free)</p> <p>Back-up time (full load) : not less than 10 minutes</p> <p>Noise : not more than 50 dBA at 1 m distance</p> <p>Alarm or Indicator : - low battery - inverter failure - overload</p> <p>Operating temperature : 0 to 40 C, or better</p> <p>Complete with:</p> <ol style="list-style-type: none"> 1) Interconnecting cables, power supply cord and plug. 2) Instruction manual. 3) Others according to manufacturer's design, which shall be clearly described.



PROVINCIAL ELECTRICITY AUTHORITY

POWER SYSTEM STANDARD DIVISION

Specification No.: RTES-169/2552 : Three-Phase Meter Test Station, Up To 20 Meters

Page 8 of 10

C3 Schedule of detailed requirement

Invitation to Bid No.:

Item	PEA Material No.	Quantity	Description
			<p>1.10 _____ 1 sct. Surge protective device, voltage limiting type, for install at the input of a power supply line from lightning protection zone 1 into lightning protection zone 2 (LPZ1 into LPZ2, according to IEC 62305), such as the subdistribution board of the building, with:</p> <p>Test standard : IEC 61643-1 class II (E DIN VDE 0675-6 and E DIN VDE 0675-6/A1, class C), or equivalent</p> <p>Number of pole : 4 units of single pole combination</p> <p>Maximum continuous operating voltage, U_c (operating frequency 50 Hz) : not less than 250 V / pole</p> <p>Nominal discharge current, I_n (8/20) μs : not less than 15 kA / pole</p> <p>Maximum discharge current, I_{max} (8/20) μs : not less than 40 kA / pole</p> <p>Voltage protection level, U_p (L-PE) : not more than 1.5 kV</p> <p>Response time : not more than 25 ns</p> <p>Degree of protection : IP 20, or better</p> <p>Operating temperature range : up to 80 °C, or better</p> <p>Conductor size : 4 - 25 mm², or better</p> <p>Installation : mounting on standard size rail</p> <p>Complete with status indicator, installation equipment, back up fuses or circuit breaker, installation manual and other accessories according to manufacturer's design and auxiliary equipment necessary to complete.</p>
2	-	lot(s)	Spare part, for ten-year operation of the three-phase meter test station in Item 1 (Give details).
3	-	lot(s)	Special tools, for installation and maintenance of the three-phase meter test station in Item 1 (Give details).
	II		

PSN



PROVINCIAL ELECTRICITY AUTHORITY

POWER SYSTEM STANDARD DIVISION

Specification No.: RTES-169/2552 : Three-Phase Meter Test Station, Up To 20 Meters

Page 9 of 10

C3 Schedule of detailed requirement

Invitation to Bid No.:

Item	PEA Material No.	Quantity	Description
4	-	lot(s)	<p>Optional accessories for Item 1.</p> <p>Note:</p> <ol style="list-style-type: none"> 1. Bidders have to quote the Unit Costs; and portion of each Item shall not be considered. 2. The manufacturer of meter test unit shall have at least ten (10) years manufacturing experience and at least one (1) unit of same model and same accuracy class of the proposed meter test unit has been supplied in the last five (5) years. 3. Bidders have to submit documents in English and/or Thai with the bid as follows : <ol style="list-style-type: none"> 3.1 Certificate of calibration and calibration test report of meter test unit having same model and same accuracy class as the proposed meter test unit from Accreditation Bodies (PTB, NPL, NIST, or equivalent) or from the laboratories, which have been accredited by such the Accreditation Bodies. 3.2 Certification letter from customer that documents his satisfaction of meter test unit having same model and same accuracy class as the proposed meter test unit. 3.3 Sufficient references describing the previous experience of the suppliers (e.g. list of supply of equipment and/or materials having the same or similar design as proposed, field experience, the registration of TISI, the copies of license, and/or the inspection to supplier's factory by PEA's inspectors, etc.) to the satisfaction of PEA. 4. Bidders have to quote recommended spare parts, special tools and optional accessories with their lists of quantities and itemized prices, if any; PEA reserves the right to purchase some or all of items, to adjust their quantities, or to cancel them. 5. Evaluation and comparison of bid price shall not include the spare part, special tools and optional accessories.



PROVINCIAL ELECTRICITY AUTHORITY

POWER SYSTEM STANDARD DIVISION

Specification No.: RTES-169/2552 : Three-Phase Meter Test Station, Up To 20 Meters

Page 10 of 10

C3 Schedule of detailed requirement

Invitation to Bid No.:

Item	PEA Material No.	Quantity	Description
			<p>6. PEA shall purchase the three-phase meter test station, spare parts in Item 2, special tools in Item 3 and optional accessories in Item 4 from one (1) bidder or one (1) manufacturer.</p> <p>7. The three-phase meter test station shall be furnished with auxiliary equipment and accessories not specified in these specifications, but necessary to complete the sound function.</p>

PSD

Invitation to Bid No : ปอ.กบญ.ฉ.2 เครื่องมือเครื่องใช้ 4012566

Specification No :

C3 Schedule of detailed requirement

Item	PEA material No	Quantity	Description
			“ผู้เสนอราคาจะต้องระบุแหล่งกำเนิดหรือประเทศที่ผลิต”

PROVINCIAL ELECTRICITY AUTHORITY
POWER SYSTEM STANDARD DIVISION



Specification No. RTES-169/2552 : Three-Phase Meter Test Station, Up To 20 Meters		Page 1 of 17				
C4 Price schedule						
Invitation to Bid No.						
	Manufacturer : Country of origin : Trade-mark :					
Item	PEA Material No.	Catalogue No.	Description	Quantity	Unit Cost (See details & conditions attached)	Total Cost (See details & conditions attached)
1	-		<p>Three-phase meter test station; automatic certification, semi-automatic adjustment and manual setting of test current, voltage, power factor, and for simultaneously testing the large batches of three-phase energy meters of electromechanical and electronic types of class 0.2, 0.5, 1 and 2; up to twenty (20) units or more at the same time using the energy comparison method; suitable for testing of the following kinds of meters :</p> <ul style="list-style-type: none"> - three-phase 3-wire and three-phase 4-wire meters for active energy (three-phase kilowatt-hour meters) - three-phase 3-wire and three-phase 4-wire meters for reactive energy, all type of connections (three-phase kilovar-hour meters); each system shall be consisted of: 	system(s)		
	II					

PSD



**PROVINCIAL ELECTRICITY AUTHORITY
POWER SYSTEM STANDARD DIVISION**

Specification No. RTES-169/2552 : Three-Phase Meter Test Station, Up To 20 Meters

C4 Price schedule

Invitation to Bid No.

Manufacturer :
Country of origin :
Trade-mark :

Item	PEA Material No.	Catalogue No.	Description	Quantity	Unit Cost (See details & conditions attached)	Total Cost (See details & conditions attached)
			1.1 Meter test unit, with: Electronic power source unit: Main switch and emergency off switch Input voltage : Test frequency circuit : Test voltage circuit: - range : - accuracy : - output power : - stability : - distortion factor : - power efficiency : Electronic overload and short-circuit protection	1 unit 1 set		

**PROVINCIAL ELECTRICITY AUTHORITY
POWER SYSTEM STANDARD DIVISION**



Specification No. RTES-169/2552 : Three-Phase Meter Test Station, Up To 20 Meters

Page 3 of 17

C4 Price schedule		Manufacturer :			Unit Cost (See details & conditions attached)	Total Cost (See details & conditions attached)
Invitation to Bid No.		Country of origin :				
Item	PEA Material No.	Catalogue No.	Description	Quantity		
			Test current circuit: - range : - accuracy : - output power : - stability : - distortion factor : - power efficiency : Electronic overload circuit and security to safeguard the operation at open current circuit Phase angle adjustment: - range : - resolution of phase angle setting :			
	II					

PSD



**PROVINCIAL ELECTRICITY AUTHORITY
POWER SYSTEM STANDARD DIVISION**

Specification No. RTES-169/2552 : Three-Phase Meter Test Station, Up To 20 Meters

Page 4 of 17

C4 Price schedule		Manufacturer :			Unit Cost (See details & conditions attached)	Total Cost (See details & conditions attached)
Invitation to Bid No.		Country of origin :				
Item	PEA Material No.	Catalogue No.	Description	Quantity		
			Electronic reference standard : - Voltage : - range : - accuracy : - Current : - range : - accuracy : - 10 mA to 100 mA, range : - 100 mA to 120 A, range : - Frequency : - range :	1 set		
	II					

PSD

PROVINCIAL ELECTRICITY AUTHORITY
POWER SYSTEM STANDARD DIVISION

Specification No. RTES-169/2552 : Three-Phase Meter Test Station, Up To 20 Meters

C4 Price schedule

Invitation to Bid No.

Manufacturer :
 Country of origin :
 Trade-mark :

Item	PEA Material No.	Catalogue No.	Description	Quantity	Unit Cost (See details & conditions attached)	Total Cost (See details & conditions attached)
			- Error of active and reactive (power/energy) : - $\cos\phi = 1$: - $\cos\phi = 0.5$: - $\sin\phi = 1$: - $\sin\phi = 0.5$:			
	II					

POB



PROVINCIAL ELECTRICITY AUTHORITY
POWER SYSTEM STANDARD DIVISION

Specification No. RTES-169/2552 : Three-Phase Meter Test Station, Up To 20 Meters

Page 6 of 17

C4 Price schedule

Invitation to Bid No.

Manufacturer :
Country of origin :
Trade-mark :

Item	PEA Material No.	Catalogue No.	Description	Quantity	Unit Cost (See details & conditions attached)	Total Cost (See details & conditions attached)
			<p>Actual value indicator with digital display (The actual indicator may not be required if the software can show all actual values on 17" LCD monitor separately from display monitor. In this case two(2) monitors shall be required and the values shall be shown on the monitors simultaneously) The following values can be shown:</p> <ul style="list-style-type: none"> - 3 test voltages U_1, U_2, U_3 - 3 test currents I_1, I_2, I_3 - power per phase P_1, P_2, P_3 - total power - phase angle between voltage/current per phase - frequency <p>1.2 The meter test rack, consisting of a rack and table. The rack shall be suitable for the suspension twenty (20) meters.</p>	1 set		
	II			1 lot		

PC



**PROVINCIAL ELECTRICITY AUTHORITY
POWER SYSTEM STANDARD DIVISION**

Specification No. RTES-169/2552 : Three-Phase Meter Test Station, Up To 20 Meters

C4 Price schedule

Invitation to Bid No.

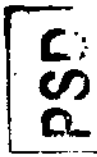
		Manufacturer : Country of origin : Trade-mark :				
Item	PEA Material No.	Catalogue No.	Description	Quantity	Unit Cost (See details & conditions attached)	Total Cost (See details & conditions attached)
			1.3 Test connection of quick connector type for each meter, universal design (for IEC, ANSI and BS meters), adjustable, suitable for bottom-connected of three-phase energy meters of all types in general use in large numbers, used on the meter racks for easy and quick connection of the meter to be tested, with: <ul style="list-style-type: none"> - current cables - voltage cables with omega clamps and pins - cables for testing emitting pulse contact 	20 sets		
	II		1.4 Scanning device, of photoelectric scanning head/sensor head, suitable for counting disk revolutions of electromechanical type meters and for detecting LED impulses of electronic type meters. Complete with vertical and horizontal adjustment mechanism.	20 sets		

**PROVINCIAL ELECTRICITY AUTHORITY
POWER SYSTEM STANDARD DIVISION**



Specification No. RTES-169/2552 : Three-Phase Meter Test Station, Up To 20 Meters

C4 Price schedule		Manufacturer :			Total Cost (See details & conditions attached)
Invitation to Bid No.		Country of origin :			
Item	PEA Material No.	Catalogue No.	Description	Quantity	Unit Cost (See details & conditions attached)
			<p>1.5 Error display units, digital type, for individual error display for each meter under test, mounted on the meter rack at each meter test place, with:</p> <ul style="list-style-type: none"> - the display is in % - test pulse emitting contacts of meters 	20 sets	
	II		<p>1.6 Current isolation transformers, for simultaneously testing the large batches (up to twenty (20) units or more) of three-phase energy meters with closed links between test voltage and test current circuit. Complete with terminals for easily change connection in case of using current isolation transformers or without current isolation transformers, with:</p> <p>range :</p> <p>accuracy (5 A-100 A) :</p> <p>:</p>	1 lot	





**PROVINCIAL ELECTRICITY AUTHORITY
POWER SYSTEM STANDARD DIVISION**

Specification No. RTE.S-169/2552 : Three-Phase Meter Test Station, Up To 20 Meters Page 9 of 17

C4 Price schedule		Manufacturer :		Unit Cost (See details & conditions attached)	Total Cost (See details & conditions attached)
Invitation to Bid No.		Country of origin :			
Item	PEA Material No.	Catalogue No.	Description	Quantity	
			1.7 Hand-held terminal, for entering of individual meter data (e.g. register readings, serial numbers, etc.) with LASER SCANNER to read bar-code information from meter. Complete with: 1) 2) 3) 4) 5) 6) 7)	1 set	
	II				

PSR



**PROVINCIAL ELECTRICITY AUTHORITY
POWER SYSTEM STANDARD DIVISION**

Specification No. RTES-169/2552 : Three-Phase Meter Test Station, Up To 20 Meters

Page 10 of 17

C4 Price schedule		Manufacturer :		Total Cost (See details & conditions attached)		
Invitation to Bid No.		Country of origin :				
Item	PEA Material No.	Catalogue No.	Description	Quantity	Unit Cost (See details & conditions attached)	Total Cost (See details & conditions attached)
			1.8 Microcomputer (Desktop PC), for single-phase 220 VAC 50 Hz power supply, with : CPU : Memory : Hard disk : CD-ROM drive : Monitor : Keyboard : Mouse : Network adapter : Multimedia : Port & Slot :	1 set		
	II					

PSD

PROVINCIAL ELECTRICITY AUTHORITY
POWER SYSTEM STANDARD DIVISION



Specification No. RTES-169/2552 : Three-Phase Meter Test Station, Up To 20 Meters		Page 11 of 17				
C4 Price schedule Invitation to Bid No.						
	Manufacturer : Country of origin : Trade-mark :					
Item	PEA Material No.	Catalogue No.	Description	Quantity	Unit Cost (See details & conditions attached)	Total Cost (See details & conditions attached)
			Complete with: 1) 2) 3) 4) 5) 6) 7) 8)			
	II					



**PROVINCIAL ELECTRICITY AUTHORITY
POWER SYSTEM STANDARD DIVISION**

Specification No. RTES-169/2552 : Three-Phase Meter Test Station, Up To 20 Meters

Page 12 of 17

C4 Price schedule

Invitation to Bid No.

Manufacturer :
Country of origin :
Trade-mark :

Item	PEA Material No.	Catalogue No.	Description	Quantity	Unit Cost (See details & conditions attached)	Total Cost (See details & conditions attached)
			1.9 Uninterruptible power supply (UPS), for single-phase 220 VAC 50 Hz power supply, with: Standard : System : Rated power : Input voltage : Input frequency : Output voltage : Output frequency : Wave form : Total harmonic distortion : Overload capacity : Battery type : Back-up time (full load) : Noise :	1 set		
	II					

pen



**PROVINCIAL ELECTRICITY AUTHORITY
POWER SYSTEM STANDARD DIVISION**

Specification No. RTES-169/2552 : Three-Phase Meter Test Station, Up To 20 Meters		Page 13 of 17	
C4 Price schedule			
Invitation to Bid No.			
Manufacturer : Country of origin : Trade-mark :	Quantity	Unit Cost (See details & conditions attached)	Total Cost (See details & conditions attached)
PEA Material No.	Catalogue No.	Description	
		Alarm or Indicator : Operating temperature : Complete with: 1) 2) 3)	
			II

PSD



**PROVINCIAL ELECTRICITY AUTHORITY
POWER SYSTEM STANDARD DIVISION**

Specification No. RTES-169/2552 : Three-Phase Meter Test Station, Up To 20 Meters

Page 14 of 17

C4 Price schedule

Invitation to Bid No.

Manufacturer :
Country of origin :
Trade-mark :

Item	PEA Material No.	Catalogue No.	Description	Quantity	Unit Cost (See details & conditions attached)	Total Cost (See details & conditions attached)
			<p>1.10 Surge protective device, voltage limiting type, for install at the input of a power supply line from lightning protection zone 1 into lightning protection zone 2 (LPZ1 into LPZ2, according to IEC 62305), such as the subdistribution board of the building, with:</p> <p>Test standard :</p> <p>Number of pole :</p> <p>Maximum continuous operating voltage, U_c (operating frequency 50 Hz) :</p> <p>Nominal discharge current, I_n (8/20) μs :</p> <p>Maximum discharge current, I_{max} (8/20) μs :</p>	1 set		
	II					

PSD



**PROVINCIAL ELECTRICITY AUTHORITY
POWER SYSTEM STANDARD DIVISION**

Specification No. RTES-169/2552 : Three-Phase Meter Test Station, Up To 20 Meters

Page 15 of 17

C4 Price schedule

Invitation to Bid No.

Manufacturer :
Country of origin :
Trade-mark :

Item	PEA Material No.	Catalogue No.	Description	Quantity	Unit Cost (See details & conditions attached)	Total Cost (See details & conditions attached)
			Voltage protection level, U _p (L-PE) Response time Degree of protection Operating temperature range Conductor size installation Complete with : 1) 2) 3) 4) 5)			
	II			Total of Item I		



**PROVINCIAL ELECTRICITY AUTHORITY
POWER SYSTEM STANDARD DIVISION**



Specification No. RTES-169/2552 : Three-Phase Meter Test Station, Up To 20 Meters		Page 16 of 17				
C4 Price schedule						
Invitation to Bid No.						
Item	PEA Material No.	Catalogue No.	Description	Quantity	Unit Cost (See details & conditions attached)	Total Cost (See details & conditions attached)
2	-		Spare part, for ten-year operation of the three-phase meter test station in Item 1 (Give details). 1) 2) 3)	lot(s)		
3	-		Special tools, for installation and maintenance of the three-phase meter test station in Item 1 (Give details). 1) 2) 3)	lot(s)		
	II					

PSD



**PROVINCIAL ELECTRICITY AUTHORITY
POWER SYSTEM STANDARD DIVISION**

Specification No. RTES-169/2552 : Three-Phase Meter Test Station, Up To 20 Meters

Page 17 of 17

C4 Price schedule

Invitation to Bid No.

Manufacturer :
Country of origin :
Trade-mark :

Item	PEA Material No.	Catalogue No.	Description	Quantity	Unit Cost (See details & conditions attached)	Total Cost (See details & conditions attached)
4	.		Optional accessories for Item 1. 1) 2) 3) 4) 5)	lot(s)		

PSD



การไฟฟ้าส่วนภูมิภาค

บันทึก

จาก กมฟ. (คทท) บข. (บ) 346/2551 ถึง ผ.มก.
 เลขที่ กมฟ. (ขฟ) ๕1/3208/2552 วันที่ 28 ก.ย. 2552
 เรื่อง ขออนุมัติปรับปรุงสเปค Three-Phase Meter Test Station, Up To 20 Meters
 อ้างถึง

เรียน ผ.มก.

1. เรื่องเดิม

- 1.1 ตามอนุมัติ ผวก. ลว. 21 ต.ค. 2551 ยกเลิกการจัดซื้อ Three-phase meter test station, up to 20 meter (รายการที่ 4) เนื่องจากมีผู้เสนอราคาที่มีรายละเอียดถูกต้องตามสเปคของ กฟภ. เพียงรายเดียว และยกเลิกการจัดซื้อ CT excitation ratio and polarity test (รายการที่ 11) เนื่องจากไม่มีผู้เสนอราคาที่มีรายละเอียดถูกต้องตามสเปคของ กฟภ. โดยให้ กมฟ. พิจารณาตามความเหมาะสมของสเปคก่อนที่จะดำเนินการจัดซื้อใหม่
- 1.2 ตามบันทึก กบท.(ชก) เลขที่ บข(ฝ) 346/2551 ลว. 7 ม.ค. 2552 ให้ กมฟ. พิจารณาความเหมาะสมของสเปคเครื่องทดสอบ TOU มิเตอร์ (Three-phase meter test station, up to 20 meters) รายการที่ 4 และ CT excitation ratio and polarity test รายการที่ 11 ให้ กมต. ตามอนุมัติ ดังกล่าวข้างต้น

2. การตรวจสอบ

กมฟ. ได้ตรวจสอบแล้ว ดังนี้ :

- 2.1 กฟภ. มีสเปค Three-phase meter test station, up to 20 meters (รายการที่ 4) แล้วเป็นสเปคอ้างอิงเลขที่ R-999/2545 แต่มีรายละเอียดไม่สอดคล้องกับผลิตภัณฑ์ที่มีจำหน่ายอยู่ในท้องตลาดในปัจจุบัน
- 2.2 ปัจจุบันยังมีผู้แทนจำหน่ายผลิตภัณฑ์ CT excitation ratio and polarity test (รายการที่ 11) ที่มีรายละเอียดสอดคล้องกับสเปคของ กฟภ. ตามสเปคอ้างอิงเลขที่ R-683/2538 จำนวน 2 ผลิตภัณฑ์ แต่ไม่ได้เข้าร่วมเสนอราคา และได้แจ้งให้ กบท.(ชก) ทราบแล้ว ตามบันทึก กมฟ. เลขที่ มฟ.(ขฟ) 51/3208/2552 ลว. 21 ม.ค. 2552 (เอกสารแนบ 1)

3. การปรับปรุงสเปค

กมฟ. ได้ปรับปรุงสเปค Three-phase meter test station, up to 20 meters ดังกล่าวเสร็จเรียบร้อยแล้ว เป็นสเปคอ้างอิงเลขที่ RTES-169/2552 โดยมีรายละเอียดสอดคล้องตามความต้องการของ กมต. (ผู้ใช้งาน) แล้ว ตามบันทึก กมต. ลว. 7 เม.ย. 2552 มีรายละเอียดที่ได้ปรับปรุงใหม่สรุปได้ดังนี้ :

การไฟฟ้าส่วนภูมิภาค

สเปกเก่า (R-999/2545)	สเปกปรับปรุงใหม่ (RTES-169/2552)	ข้อพิจารณาและเหตุผล
Electronic reference standard : - Current : - range : 10 mA to 120 A, or better - accuracy : - 10 mA to 120 A, range : $\leq \pm 0.01 \%$	Electronic reference standard : - Current : - range : 10 mA to 120 A, or better - accuracy : - 10 mA to 100 mA, range: $\leq \pm 0.02 \%$ of range, or better - 100 mA to 120 A, range : $\leq \pm 0.01 \%$ of range, or better	เพื่อให้สอดคล้องกับผลิตภัณฑ์ที่มีจำหน่ายในท้องตลาด และผลิตภัณฑ์ที่สามารถเสนอราคาได้หลายราย
Actual value indicator with digital display. The following values can be shown: - 3 test voltages U_1, U_2, U_3 - 3 test currents I_1, I_2, I_3 - power per phase P_1, P_2, P_3 - total power - phase angle between voltage/current per phase - frequency	Actual value indicator with digital display (The actual indicator may not be required if the software can show all actual values on 17" LCD monitor separately from display monitor. In this case two(2) monitors shall be required and the values shall be shown on the monitors simultaneously) The following values can be shown: - 3 test voltages U_1, U_2, U_3 - 3 test currents I_1, I_2, I_3 - power per phase P_1, P_2, P_3 - total power - phase angle between voltage/current per phase - frequency	ตามบันทึก กมต. ลว. 7 เม.ย. 2552

4. ข้อเสนอแนะ

กมฟ. เห็นสมควรใช้สเปคอ้างอิงเลขที่ RTES-169/2552 : Three-phase meter test station, up to 20 meters ที่ได้ปรับปรุงใหม่ดังกล่าวข้างต้นในการจัดหาต่อไป

อนึ่ง เท่าที่ กมฟ. ตรวจสอบได้ขณะนี้ มีผลิตภัณฑ์ที่มีรายละเอียดสอดคล้องตาม สเปคดังกล่าว 2 ผลิตภัณฑ์ คือ :

1. ผลิตภัณฑ์ ZERA ประเทศ Germany
2. ผลิตภัณฑ์ MTE Meter Test Equipment ประเทศ Germany

โดยผู้แทนของบริษัทฯ ผู้ผลิตอุปกรณ์ดังกล่าว คือ

1. บริษัท แอมพ์ทรอน อินสทรูमेंทส์ (ประเทศไทย) จำกัด
2. บริษัท ยูนิเพาเวอร์ เอ็นยีเนียริง จำกัด

ได้เห็นชอบสเปคดังกล่าวแล้ว ตามบันทึกประชาพิจารณ์ฯ ลว. 16 พ.ค. 2552 และ ลว. 22 พ.ค. 2552

ทั้งนี้คาดว่าจะมีผู้เสนอราคาได้หลายราย และมีผลิตภัณฑ์อื่น ๆ สามารถเสนอราคาได้ด้วย

จึงเรียนมาเพื่อ โปรดพิจารณา พร้อมนี้ได้แนบสเปค ตารางเปรียบเทียบ และเรื่องเดิมมาเพื่อประกอบการพิจารณาด้วยแล้ว

(ลายเซ็น)

(นายถาวร ทองเปี่ยม)

ผู้อำนวยการกองมาตรฐานระบบไฟฟ้า

เรียน ผชช.12

เพื่อโปรดพิจารณา หากเห็นชอบ
ขอได้โปรดนำเรียน รผค.(ว) อนุมัติตาม
กมฟ. เสนอ ต่อไปด้วย

(ลายเซ็น)

(นางอนุสรณ์ ทรัพย์)

ผู้อำนวยการกองมาตรฐานระบบไฟฟ้า

๗ ๐ ๒๕ ๒๕๕๓

๗/๒

เรียน รศก.(ว)

ผชช.12 พิจารณาแล้ว เห็นควรขออนุมัติปรับปรุง
 สเปค Three-Phase Meter Test Station, Up to 20 Meters
 ใช้ตรวจสอบความเที่ยงตรงของมิเตอร์ 3 เฟส แบบจานหมุน
 และแบบอิเล็กทรอนิกส์ class 0.2, 0.5, 1 และ 2 เป็นมิเตอร์
 วัดพลังงานจริง หรือพลังงานรีแอกทีฟในระบบ 3 เฟส 3 สาย
 หรือ 4 สาย ประกอบด้วย (1) Meter test unit (2) Meter
 test rack (3) Test connection of quick connector type for
 each meter (4) Scanning device (5) Error display unit
 (6) Current isolation transformer (7) Hand held terminal
 (8) Microcomputer (9) Uninterruptible power supply (UPS)
 (10) Surge protective device

จึงเรียนมาเพื่อโปรดพิจารณาอนุมัติสเปคดังกล่าวข้างต้น
ตาม กมฟ. ผมก. เสนอ ต่อไป

(นายสมศักดิ์ ภูมิสูงคาริน)

ผชช. รหัส 12

29 ก.ย. 2552

อนุมัติตามเสนอ

(นายพงษ์กร ตันติวงษ์จันทร์)

รองผู้อำนวยการแผนและพัฒนาระบบไฟฟ้า

29 ก.ย. 2552

กมฟ.

30 ก.ย. 2552

กมฟ.

กม

30 ก.ย. 52

คุณฉวีพรพงษ์

SCM (กม)

1 ต.ค. 2552



C3 Schedule of detailed requirement

Invitation to Bid No.:

Item	PEA Material No.	Quantity	Description
------	------------------------	----------	-------------

เอกสารเพิ่มเติม 1 แนบท้าย Specification No.: RTES-169/2552

THREE-PHASE METER TEST STATION (UP TO 20 METERS)

(ADDENDUM 1)

เอกสารเพิ่มเติม 1 (ADDENDUM 1) นี้ให้ถือเป็นส่วนหนึ่งของรายละเอียดข้อกำหนดทางเทคนิคที่เอกสารนี้ได้แนบอยู่ด้วย

ยกเลิกรายละเอียดของข้อกำหนดทางเทคนิคเลขที่ RTES-169/2552: THREE-PHASE METER TEST STATION (UP TO 20 METERS) ตามที่ระบุไว้ในหน้า 6 ข้อ กำหนด 1.8 โดยกำหนดให้ผู้ยื่นข้อเสนอจะต้องเสนอ เครื่องคอมพิวเตอร์ สำหรับงานประมวลผล แบบที่ 1, เครื่องพิมพ์ Multifunction เลเซอร์ หรือ LED สี, เครื่องพิมพ์แบบใช้ความร้อน (Thermal Printer) และชุดโปรแกรมระบบปฏิบัติการ โดยมีรายละเอียด ดังนี้

1.8 1 lot Desktop PC, with :

Control Processing Unit (CPU): AMD Ryzen 7 5800 or Intel Core i7-12700F or better

Memory : 16 GB DDR4-RAM, or better

Hard disk : 512 GB SSD , or better

Graphics : NVIDIA GeForce RTX 3060 or NVIDIA GeForce GTX 1660, or better

Monitor : LED 23” or better for Desktop PC,

Mouse : optical mouse USB interface

Network adapter : built-in Ethernet card, 10/100/1000 Mbps

Ports and Slots : serial port (for Desktop PC), mouse
and keyboard ports, audio port and USB ports

Operating system : windows 10 Home (64 bit) or better

Power supply : single phase, 230 V AC, 50 Hz

Interface : Ethernet or fiber-optic



C3 Schedule of detailed requirement

Invitation to Bid No.:

Item	PEA Material No.	Quantity	Description
------	------------------------	----------	-------------

Complete with:

- 1) Software package(s), for installation and operation (Microsoft windows 10, Microsoft office or later version)
- 2) Software package(s), for automatic testing, manual testing and recording data results
- 3) Interconnecting cables, power supply cord and plug
- 4) Interconnecting cables between the three-phase meter test station (Item 1.1) and the microcomputer system (Item 1.8)
- 5) **Multifunction(Printer,Copy,Scanner) Laser Printer or LED Color**, Scan Resolution: 1200 x 1200 dpi or better, Printing Resolution: 600 x 600 dpi or better, 10 ppm or better, paper sizes A4 or better
- 6) **Thermal Printer**, direct printer and thermal printer, Printing Resolution: 203 dpi or better, Printing width: 104 mm. or better, Memory : 128 MB or better, Interface: ethernet 10/100 Mbps, RS-232, USB 2.0 or better
- 7) Desk and chair, for personal microcomputer system
- 8) Instruction manual
- 9) Others according to manufacturer's design, which shall be clearly described

ทั้งนี้ ผู้ยื่นข้อเสนอจะต้องยื่นแคตตาล็อกหรือรูปแบบรายละเอียดคุณลักษณะเฉพาะของเครื่องคอมพิวเตอร์สำหรับงานประมวลผล, เครื่องพิมพ์ Multifunction เลเซอร์ หรือ LED สี, เครื่องพิมพ์แบบใช้ความร้อน(Thermal Printer) และชุดโปรแกรมระบบปฏิบัติการ ที่เสนอมาพร้อมกับการเสนอราคาเพื่อประกอบการพิจารณา



C3 Schedule of detailed requirement

Invitation to Bid No.:

Item	PEA Material No.	Quantity	Description
------	------------------------	----------	-------------

เอกสารเพิ่มเติม 2 แนบท้าย Specification No.: RTES-169/2552

THREE-PHASE METER TEST STATION (UP TO 20 METERS)

(ADDENDUM 2)

เอกสารเพิ่มเติม 2 (ADDENDUM 2) นี้ให้ถือเป็นส่วนหนึ่งของรายละเอียดข้อกำหนดทางเทคนิคที่เอกสารนี้ได้แนบอยู่ด้วย

1.ยกเลิกรายละเอียดของข้อกำหนดทางเทคนิคเลขที่ RTES-169/2552 THREE-PHASE METER TEST STATION (UP TO 20 METERS) ตามที่ระบุไว้ในหน้า 5 Complete with ข้อ 5) โดยกำหนดให้ผู้ยื่นข้อเสนอที่ได้รับคัดเลือกเป็นคู่สัญญากับ กฟภ. จะต้องจัดให้มีการฝึกอบรมการใช้งาน (On the job training) เครื่อง THREE-PHASE METER TEST STATION (UP TO 20 METERS) ให้กับพนักงาน กฟภ. จำนวน 5 คน ณ โรงงานผู้ผลิต โดยเป็นการฝึกอบรมเกี่ยวกับการเรียนรู้การใช้งาน การเขียนโปรแกรมควบคุมการทดสอบอัตโนมัติ การดูแลบำรุงรักษาในเบื้องต้น เป็นระยะเวลาไม่น้อยกว่า 5 วัน (35 ชั่วโมง) โดยจัดการอบรมเป็นภาษาไทยหรือภาษาอังกฤษ พร้อมเอกสารประกอบการฝึกอบรมทั้งภาษาไทยและภาษาอังกฤษ โดยให้ส่งหัวข้อและเนื้อหาที่เกี่ยวกับหลักสูตรการจัดฝึกอบรมและศึกษาดูงานที่เกิดขึ้น เช่น ค่าเครื่องบินโดยสาร ค่าทำวีซ่า ค่าเดินทางภาคพื้นดินในต่างประเทศ ค่าประกันภัยส่วนบุคคลในต่างประเทศตลอดจน ค่าอาหาร ค่าที่พัก ของผู้เข้ารับการฝึกอบรมในระหว่างที่รับการอบรม รวมถึงค่าใช้จ่ายอื่นๆ ที่อาจเกิดขึ้น เนื่องจากอุบัติเหตุ/การเจ็บป่วย ณ ประเทศที่ตั้งของโรงงานผู้ผลิตนั้น ผู้ยื่นข้อเสนอที่ได้รับคัดเลือกเป็นคู่สัญญากับ กฟภ. จะต้องเป็นผู้รับผิดชอบค่าใช้จ่ายทั้งหมดที่เกิดขึ้น

2.ผู้ยื่นข้อเสนอที่ได้รับคัดเลือกเป็นคู่สัญญากับ กฟภ. ต้องรับประกันคุณภาพ 3 ปี นับถัดจากวันที่ผ่านการตรวจรับ และต้องดำเนินการสอบเทียบ THREE PHASE METER TEST STATION (UP TO 20 METERS) ให้กับ กฟภ. อย่างน้อย 2 ครั้ง ภายในระยะเวลารับประกัน 3 ปี ตามที่ได้รับแจ้งจาก กฟภ. โดยกำหนดให้มีระยะเวลาในการดำเนินการส่งสอบเทียบให้แล้วเสร็จ พร้อมส่งคืน กฟภ. ภายในระยะเวลา 4 เดือน นับถัดจากวันที่ได้รับแจ้งจาก กฟภ. และจะต้องส่งสอบเทียบกับห้องปฏิบัติการสอบเทียบที่ได้รับรองระบบมาตรฐาน มอก.17025 หรือ ISO/IEC 17025 เช่น สถาบันมาตรวิทยาแห่งชาติ หรือ สถาบันไฟฟ้าและอิเล็กทรอนิกส์ เป็นต้น

3.ผู้ยื่นข้อเสนอที่ได้รับเลือกเป็นคู่สัญญากับ กฟภ. จะต้องดำเนินการจัดหาพร้อมติดตั้งสายเมนไฟฟ้ารวมถึงบริภัณฑ์ไฟฟ้า และอุปกรณ์อื่นๆ ที่เกี่ยวข้อง ของ THREE PHASE METER TEST STATION (UP TO 20 METERS) ให้กับ กฟภ.

4.THREE PHASE METER TEST STATION (UP TO 20 METERS) จะต้องสามารถทดสอบ 1 Phase Meter In case missing neutral is detected



1c.5.3.3 Tamper conditions and anti-tamper features

The 1-phase meters shall have the tampering detection features and shall be operated under the following tamper conditions:

(1) Missing neutral

In case missing neutral is detected as shown in **Figure 9**, the Actual Current shall be recorded. The values of total kWh shall be equal to the Actual current x 230 V x 1 (unity power factor) x Time. The backup power supply shall support up to 60-day-continuous operation in this condition. In this case, the 1-phase meters shall display only Total kWh by pressing the actuator, shall be able to record an event with date and time in the non-volatile memory according to **Annex 2: Table 1B**, but the alarm signal shall not be shown.

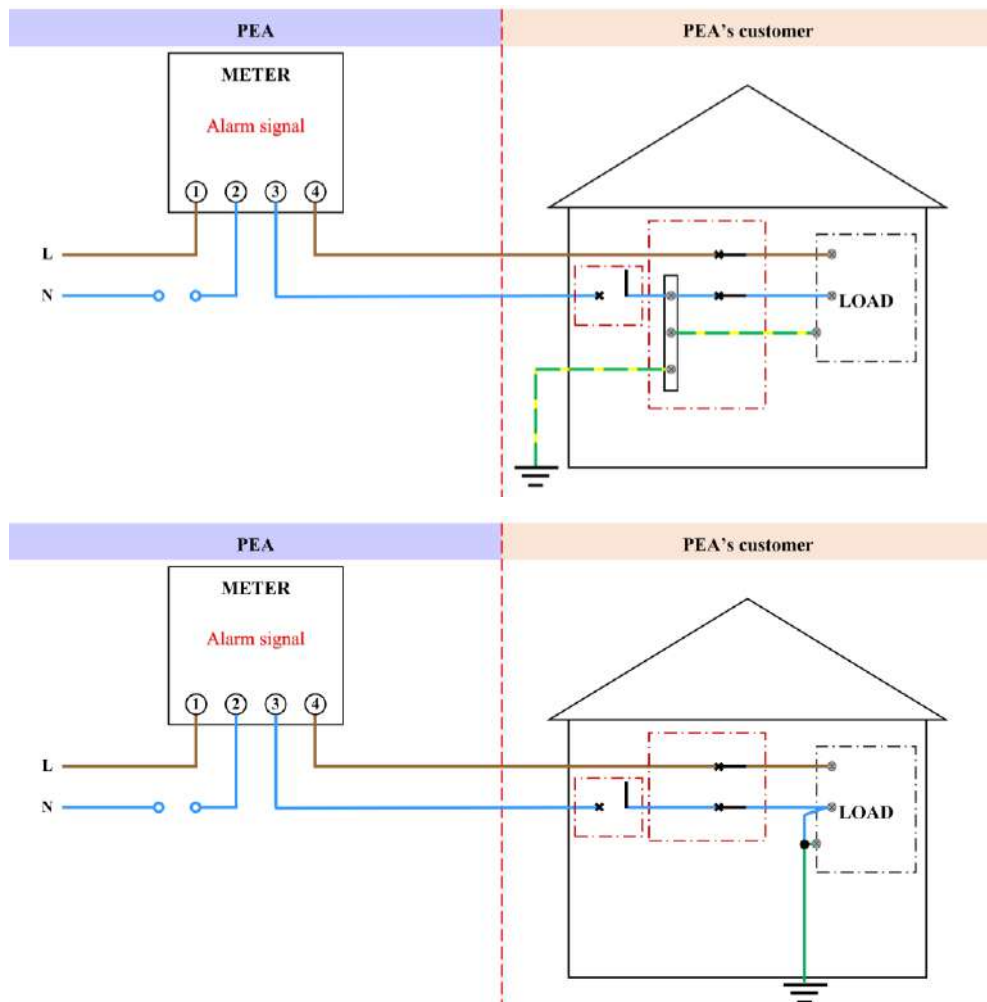


Figure 9: Missing neutral

เงื่อนไขทั่วไปประกอบการจัดซื้อพัสดุ

ผู้ยื่นข้อเสนอ จะต้องปฏิบัติตามเงื่อนไขประกอบการจัดซื้อพัสดุดังนี้

ข้อ ๑ “ผู้ยื่นข้อเสนอจะต้องยื่นเอกสารทางเทคนิค เช่น แค็ตตาล็อก แบบรูป (Drawings) รายงานผลการทดสอบเฉพาะแบบ (Type test reports) หรือเอกสารอื่นๆ ตามที่ได้ระบุไว้ในรายละเอียดสเปค (Specification) ให้ครบถ้วนพร้อมกับการยื่นข้อเสนอ โดยเอกสารทางเทคนิคดังกล่าวจะต้องเป็นภาพสีเหมือนกับเอกสารต้นฉบับ และต้องเป็นภาษาไทยหรือภาษาอังกฤษเท่านั้น สำหรับเอกสารทางเทคนิคที่ผู้ยื่นข้อเสนอจะต้องกรอกรายละเอียดในแบบฟอร์มของ การไฟฟ้าส่วนภูมิภาค ให้ใช้วิธีการพิมพ์เท่านั้น การไฟฟ้าส่วนภูมิภาคขอสงวนสิทธิที่จะไม่รับพิจารณาผู้ยื่นข้อเสนอที่ยื่นเอกสารทางเทคนิคไม่ครบถ้วน หรือไม่ปฏิบัติตามที่ระบุข้างต้น

ข้อ ๒ การไฟฟ้าส่วนภูมิภาค จะพิจารณาเฉพาะเอกสารทางเทคนิค เช่น แค็ตตาล็อก แบบรูป (Drawings) รายงานผลการทดสอบเฉพาะแบบ (Type test reports) หรือเอกสารอื่นๆ ที่ระบุผลิตภัณฑ์เป็นแบบ (Type) หรือเป็นรุ่น (Model) ที่ตรงกับที่ผู้ยื่นข้อเสนอระบุไว้ในรายการที่เสนอราคาเท่านั้น เว้นแต่รายละเอียดสเปค (Specification) ระบุความต้องการเอกสารทางเทคนิคไว้เป็นอย่างอื่น

ข้อ ๓ สำหรับพัสดุดูอุปกรณ์ที่ การไฟฟ้าส่วนภูมิภาค กำหนดให้ใช้เกณฑ์ราคาประกอบเกณฑ์อื่น (Price-performance) ในการพิจารณาจัดซื้อ ผู้ยื่นข้อเสนอที่ยื่นผลิตภัณฑ์ที่มีคุณสมบัติเป็นไปตามเกณฑ์อื่นในแต่ละรายการ และมีความประสงค์ที่จะให้ การไฟฟ้าส่วนภูมิภาค คิดคะแนนในส่วนของเกณฑ์อื่นดังกล่าวเพื่อประกอบการพิจารณาจัดซื้อนั้น ผู้ยื่นข้อเสนอจะต้องยื่นเอกสารแสดงคุณสมบัติในแต่ละเกณฑ์ให้ถูกต้อง และครบถ้วนมาพร้อมกับการยื่นข้อเสนอ หากการไฟฟ้าส่วนภูมิภาคตรวจสอบแล้วพบว่าเอกสารแสดงคุณสมบัติดังกล่าวไม่ถูกต้อง หรือไม่ครบถ้วน การไฟฟ้าส่วนภูมิภาค ขอสงวนสิทธิที่จะพิจารณาไม่ให้คะแนนในแต่ละเกณฑ์นั้นๆ

ทั้งนี้รายการพัสดุดูอุปกรณ์ที่การไฟฟ้าส่วนภูมิภาคกำหนดให้ใช้เกณฑ์ราคาประกอบเกณฑ์อื่นในการพิจารณาจัดซื้อ รวมถึงสัดส่วนการคิดคะแนนระหว่างเกณฑ์ราคา และเกณฑ์อื่นจะถูกกำหนดไว้ในเอกสารที่เกี่ยวข้อง”

ข้อ ๔ กรณีการจัดซื้ออุปกรณ์ไฟฟ้าหลักสำหรับติดตั้งใช้งานในระบบสายส่ง 115 kV และระบบจำหน่าย 22 kV และ 33 kV อันได้แก่ หม้อแปลงไฟฟ้า รีโคลสเซอร์ เซอร์กิตเบรกเกอร์ อุปกรณ์ป้องกัน สวิตช์ อุปกรณ์ตัดตอน ลูกถ้วยไฟฟ้า สายไฟฟ้า หม้อแปลงกระแส (Current transformers) หม้อแปลงแรงดัน (Voltage transformers) รวมถึง มิเตอร์สำหรับวัดพลังงานไฟฟ้า การไฟฟ้าส่วนภูมิภาคขอสงวนสิทธิที่จะส่งเจ้าหน้าที่ของการไฟฟ้าส่วนภูมิภาค หรือผู้แทนที่ได้รับการแต่งตั้งจากการไฟฟ้าส่วนภูมิภาคเข้าไปตรวจสอบกระบวนการผลิตและการควบคุมคุณภาพ ณ โรงงานผู้ผลิตก่อนการส่งมอบ โดยการไฟฟ้าส่วนภูมิภาคจะเป็นผู้ออกค่าใช้จ่ายในการเดินทาง และเบี้ยเลี้ยงของเจ้าหน้าที่ฯ หรือค่าจ้างผู้แทนฯ เท่านั้น

ข้อ ๕ การจัดซื้อหม้อแปลงไฟฟ้าสำหรับระบบจำหน่าย ผู้ที่ได้รับการสั่งซื้อต้องยินยอมให้ การไฟฟ้าส่วนภูมิภาค หรือผู้แทนที่ได้รับการแต่งตั้งจากการไฟฟ้าส่วนภูมิภาคเข้าไปตรวจสอบกระบวนการผลิต การควบคุมคุณภาพ และการทดสอบ ณ โรงงานผู้ผลิตก่อนการส่งมอบ โดยมีรายละเอียดและขั้นตอนที่ผู้ได้รับการสั่งซื้อต้องปฏิบัติตามเอกสารแนบจำนวน ๒ แผ่น โดยการไฟฟ้าส่วนภูมิภาคจะเป็นผู้ออกค่าใช้จ่ายในการเดินทาง และเบี้ยเลี้ยงของเจ้าหน้าที่ฯ หรือค่าจ้างผู้แทนฯ เท่านั้น

ข้อ ๖ กรณีพัสดุที่จะจัดซื้อเป็นรายการที่ ได้รับการรับรองตามกระบวนการ PEA Product Acceptance การไฟฟ้าส่วนภูมิภาคจะดำเนินการดังนี้

๖.๑ ในการพิจารณาทางเทคนิค หากผู้ยื่นข้อเสนอ เสนอผลิตภัณฑ์ที่ได้รับการรับรองตามกระบวนการ PEA Product Acceptance ที่ยังไม่หมดอายุการรับรอง ให้แนบใบรับรองฯ ของการไฟฟ้าส่วนภูมิภาค พร้อมเอกสารประกอบการเสนอราคา โดยไม่ต้องยื่นเอกสารทางเทคนิคอื่นๆ และคณะกรรมการพิจารณาผลฯ ไม่ต้องพิจารณาเอกสารทางเทคนิค โดยให้ยึดตามใบรับรองฯ เท่านั้น

๖.๒ ในขั้นตอนการตรวจรับพัสดุที่จัดซื้อ หากพัสดुरายการใดเป็นพัสดุที่ไม่ได้รับการรับรองตามกระบวนการ PEA Product Acceptance ให้คณะกรรมการตรวจรับฯ ดำเนินการตรวจรับพัสดุดังกล่าวตามขั้นตอน และวิธีการตรวจรับพัสดุของ การไฟฟ้าส่วนภูมิภาคที่บังคับใช้อยู่ ณ ปัจจุบัน

ทั้งนี้ หากพัสดुरายการใดได้รับการรับรองตามกระบวนการ PEA Product Acceptance ที่ยังไม่หมดอายุการรับรองให้คณะกรรมการตรวจรับฯ ใช้เอกสารผลการทดสอบคุณภาพผลิตภัณฑ์จากผู้ผลิต และ Product DNA (เอกสารที่ช่วยในการตรวจสอบและคัดกรองผลิตภัณฑ์ในเบื้องต้น ซึ่งประกอบด้วยข้อมูล Type test และรูปภาพส่วนประกอบต่างๆ ของผลิตภัณฑ์) เพื่อประกอบการตรวจรับพัสดุดังกล่าว โดยไม่ต้องสุ่มทดสอบอีก

๖.๓ ผู้ชนะการเสนอราคา หรือ คู่สัญญา จะต้องยื่นเอกสารแผนการผลิตและการควบคุมคุณภาพการผลิตให้ การไฟฟ้าส่วนภูมิภาค ซึ่งการไฟฟ้าส่วนภูมิภาคขอสงวนสิทธิ์ในการเข้าตรวจสอบในขั้นตอนการผลิต (In Process) หรือให้ผู้แทน รวมถึงหน่วยตรวจประเมินที่การไฟฟ้าส่วนภูมิภาค ให้การรับรองเข้าดำเนินการดังกล่าว โดยค่าใช้จ่ายที่เกิดขึ้นเป็นของการไฟฟ้าส่วนภูมิภาค หากต้องการตรวจสอบซ้ำเนื่องจากการตรวจสอบครั้งแรกไม่เป็นไปตามเงื่อนไข หรือหลักเกณฑ์ที่ การไฟฟ้าส่วนภูมิภาคกำหนด ผู้ชนะการเสนอราคา หรือ คู่สัญญาต้องเป็นผู้รับผิดชอบค่าใช้จ่ายที่เกิดขึ้นทั้งหมด

ข้อ ๗ กรณีผู้ยื่นข้อเสนอ เสนอผลิตภัณฑ์ที่เป็นเซอร์กิตเบรกเกอร์ สวิตช์ และอุปกรณ์ตัดตอนในระบบจำหน่าย ผู้ยื่นข้อเสนอจะต้องดำเนินการ ดังนี้

๗.๑ เซอร์กิตเบรกเกอร์ ที่จะจัดซื้อตั้งแต่ระบบ 22 kV ขึ้นไป จะต้องมีความสมบัติเป็นไปตามรายละเอียดสเปค (Specifications) ของการไฟฟ้าส่วนภูมิภาค และต้องมีคุณสมบัติข้อใดข้อหนึ่ง ดังนี้

๗.๑.๑ ผลิตโดยผู้ผลิตที่มีประสบการณ์ในการผลิตอุปกรณ์ประเภทดังกล่าวมาแล้ว ไม่น้อยกว่า ๓ ปี และต้องเคยติดตั้งใช้งานโดยไม่มีปัญหาในสถานีไฟฟ้าของภาครัฐ และหรือเอกชนในประเทศที่เชื่อถือได้ มาแล้วไม่น้อยกว่า ๑ แห่ง โดยกรณีนี้ ผู้ยื่นข้อเสนอ จะต้องยื่นเอกสารแสดงประวัติการขาย (Reference List) หรือ หนังสือรับรองจากลูกค้า มาพร้อมกับการยื่นข้อเสนอ หรือ

๗.๑.๒ เป็นผลิตภัณฑ์ที่ผ่านการขึ้นทะเบียนกับการไฟฟ้าส่วนภูมิภาคแล้ว ได้แก่ การขึ้นทะเบียน PEA Product Acceptance หรือ PEA Product list หรือการขึ้นทะเบียนอื่นๆ ที่ การไฟฟ้าส่วนภูมิภาคกำหนด โดยกรณีนี้ ผู้ยื่นข้อเสนอ จะต้องยื่นหนังสือรับรองการขึ้นทะเบียนที่ ยังไม่หมดอายุ มาพร้อมกับการยื่นข้อเสนอ หรือ

๗.๑.๓ เป็นผลิตภัณฑ์ที่ผ่านการทดลองติดตั้งใช้งานในระบบของการไฟฟ้าส่วนภูมิภาคสำนักงานใหญ่แล้ว โดยกรณีนี้ ผู้ยื่นข้อเสนอจะต้องยื่นเอกสารรับรองการผ่านการทดลองติดตั้งใช้งานจากการไฟฟ้าส่วนภูมิภาค มาพร้อมกับการยื่นข้อเสนอ

๗.๒ สวิตช์ และอุปกรณ์ตัดตอนในระบบจำหน่ายที่จะจัดซื้อ ตั้งแต่ระบบ 22 kV ขึ้นไป อันได้แก่ Dropout fuse cutout, Disconnecting switches, Air break switches, Remote controlled switches (SF₆, gas load break switches). Automatic switching equipment for switching power capacitor bank และ Recloser จะต้องมีความสมบัติเป็นไปตามรายละเอียดสเปค (Specifications) ของการไฟฟ้าส่วนภูมิภาค และต้องมีคุณสมบัติข้อใดข้อหนึ่ง ดังนี้

๗.๒.๑ ผลิตโดยผู้ผลิตที่มีประสบการณ์ในการผลิตอุปกรณ์ประเภทดังกล่าวมาแล้ว ไม่น้อยกว่า ๓ ปี และต้องเคยติดตั้งใช้งานในระบบจำหน่ายมาแล้วไม่น้อยกว่า ๔๐๐ ชุด โดยกรณีนี้ ผู้ยื่นข้อเสนอ จะต้องยื่นเอกสารแสดงประวัติการขาย (Reference List) หรือ หนังสือรับรองจากลูกค้า มาพร้อมกับการยื่นข้อเสนอ หรือ

๗.๒.๒ เป็นผลิตภัณฑ์ที่ผ่านการขึ้นทะเบียนกับการไฟฟ้าส่วนภูมิภาคแล้ว ได้แก่ การขึ้นทะเบียน PEA Product Acceptance หรือ PEA Product List หรือการขึ้นทะเบียนอื่นๆ ที่การไฟฟ้าส่วนภูมิภาคกำหนด โดยกรณีนี้ ผู้ยื่นข้อเสนอ จะต้องยื่นหนังสือรับรองการขึ้นทะเบียนที่ยังไม่หมดอายุ มาพร้อมกับการยื่นข้อเสนอ หรือ

๗.๒.๓ เป็นผลิตภัณฑ์ที่ผ่านการทดลองติดตั้งใช้งานในระบบของการไฟฟ้าส่วนภูมิภาคสำนักงานใหญ่แล้ว โดยกรณีนี้ ผู้ยื่นข้อเสนอจะต้องยื่นเอกสารรับรองการผ่านการทดลองติดตั้งใช้งานจากการไฟฟ้าส่วนภูมิภาคมาพร้อมกับการยื่นข้อเสนอ

๗.๓ ผู้ยื่นข้อเสนอสามารถเสนอขายเซอร์กิตเบรกเกอร์ สวิตช์หรืออุปกรณ์ตัดตอนในระบบจำหน่าย จากผู้ผลิตที่ไม่มีคุณสมบัติตามที่ระบุไว้ในข้อ ๗.๑ หรือ ๗.๒ ดังกล่าวได้ แต่ต้องเป็นผู้ที่ผลิตภายใต้ใบอนุญาต (License) และจะต้องประทับตราเครื่องหมายการค้า (Brand-Name or Trade-mark) เดิมของผู้ให้ใบอนุญาตบนพัสดุ โดยผู้ให้ใบอนุญาต (Licensor) จะต้องมีคุณสมบัติตามข้อ ๗.๑.๑ หรือ ๗.๒.๑ แล้วแต่กรณี

โดยกรณีนี้ผู้ผลิตภายใต้ใบอนุญาตจะต้องทำการทดสอบเฉพาะแบบ (Design or Type tests) เซอร์กิตเบรกเกอร์ สวิตช์ หรืออุปกรณ์ตัดตอนในระบบจำหน่ายตามมาตรฐานที่กำหนดไว้ในรายละเอียดสเปค (Specification) ใหม่ทั้งหมด

ทั้งนี้ ผู้ยื่นข้อเสนอต้องยื่นใบอนุญาต (License) ที่ยังไม่หมดอายุ มาพร้อมกับเอกสารแสดงประวัติการขาย (Reference List) หรือ หนังสือรับรองจากลูกค้า ของผู้ให้ใบอนุญาต (Licensor) มาพร้อมกับการยื่นข้อเสนอ

๗.๔ หากผู้ยื่นข้อเสนอ เสนอรายละเอียดไม่เป็นไปตามข้อ ๗.๑, ๗.๒ และ ๗.๓ ข้างต้น การไฟฟ้าส่วนภูมิภาคสงวนสิทธิที่จะไม่จัดซื้อ

ข้อ ๘ กรณีที่อุปกรณ์ไฟฟ้าหลักสำหรับติดตั้งใช้งานในระบบสายส่ง 115 kV และระบบจำหน่าย 22 kV และ 33 kV อันได้แก่ หม้อแปลงไฟฟ้า รีคลอสเซอร์ เซอร์กิตเบรกเกอร์ อุปกรณ์ป้องกัน สวิตช์ อุปกรณ์ตัดตอน ลูกถ้วยไฟฟ้า สายไฟฟ้า หม้อแปลงกระแส (Current transformers) หม้อแปลงแรงดัน (Voltage transformers) รวมถึงมิเตอร์จานหมุนชนิด ๑ เฟส และ ๓ เฟสสำหรับวัดพลังงานไฟฟ้า ผลิตภัณฑ์ใดก็ตามที่การไฟฟ้าส่วนภูมิภาค จัดซื้อในแต่ละสัญญา และติดตั้งใช้งานภายในระยะเวลา ๒ ปี นับจากวันที่ การไฟฟ้าส่วนภูมิภาค มีหนังสือแจ้งผลการตรวจรับงวดสุดท้าย หรือภายในระยะเวลาอื่นตามที่รายละเอียดสเปค (Specification) กำหนด มีสถิติการชำรุดอันเนื่องมาจากคุณภาพของผลิตภัณฑ์ เกินกว่าเกณฑ์ที่กำหนดไว้ในรายละเอียดสเปค (Specification) หรือกำหนดไว้ในเงื่อนไขอื่นๆ ในขอบเขตของงาน (TOR) หรือกำหนดไว้ในสัญญาจัดซื้อ การไฟฟ้าส่วนภูมิภาคจะตัดสิทธิการเสนอราคาผลิตภัณฑ์ดังกล่าว และจะไม่จัดซื้อเป็นการชั่วคราวทั้งในระหว่างการพิจารณาจัดซื้อ และที่จะประกาศจัดซื้อใหม่จนกว่าผู้ผลิตหรือ ผู้แทนจำหน่ายผลิตภัณฑ์นั้นๆ จะส่งแผนการปรับปรุงคุณภาพผลิตภัณฑ์ และดำเนินการแก้ไขให้เป็นที่ยอมรับจาก การไฟฟ้าส่วนภูมิภาคแล้ว

และต้องพินกำหนดระยะเวลา ๖ เดือน นับจากวันที่ การไฟฟ้าส่วนภูมิภาค มีหนังสือแจ้งตัดสิทธิการเสนอราคา
ผลิตภัณฑ์ดังกล่าวด้วย

ทั้งนี้ เงื่อนไขดังกล่าวจะไม่มีผลใช้บังคับย้อนหลังไปถึงการจัดซื้อที่ยังไม่มีเงื่อนไขกำหนดไว้

ข้อ ๙ ผู้ชนะการเสนอราคาจะต้องแจ้งกำหนดวันส่งมอบพัสดุเป็นลายลักษณ์อักษรให้หน่วยงานจัดซื้อ
และ/หรือ หน่วยงานที่จัดจัดส่งของการไฟฟ้าส่วนภูมิภาคทราบล่วงหน้าไม่น้อยกว่า ๓ วันทำการ เพื่อที่จะได้
กำหนดนัดวันตรวจรับต่อไปและจะต้องส่งมอบพัสดุระหว่างเวลา ๐๘.๓๐ น. ถึง ๑๒.๐๐ น. ของวันที่ทำการ
ส่งมอบด้วย

ข้อ ๑๐ การตรวจสอบสภาพด้านทานของสายอลูมิเนียมหุ้มฉนวน การไฟฟ้าส่วนภูมิภาค
ได้กำหนดแนวปฏิบัติ สำหรับการทดสอบสภาพด้านทานของสายอลูมิเนียมตีเกลียวหุ้มฉนวน ตาม มอก. ๒๙๓
ฉบับล่าสุด ดังนี้

๑๐.๑ การชักตัวอย่าง

คณะกรรมการตรวจรับการไฟฟ้าส่วนภูมิภาคจะสุ่มตัวอย่างสายไฟฟ้าที่ผลิตเสร็จเรียบร้อยแล้ว
(ตีเกลียวและหุ้มฉนวนแล้ว) และนำตัวอย่างมาทดสอบคุณสมบัติต่างๆ รวมทั้งการทดสอบสภาพด้านทานของ
สายไฟฟ้าด้วย ตามที่การไฟฟ้าส่วนภูมิภาคกำหนด

๑๐.๒ วิธีการทดสอบสภาพด้านทาน วิธีการทดสอบสภาพด้านทานเป็นไปตาม มอก. ๘๕ ฉบับ
ล่าสุด โดยนำเฉพาะลวดตัวนำเส้นกลางมาหาค่าสภาพด้านทาน โดยวัดความต้านทานที่ อุณหภูมิห้อง แล้วปรับ
เป็นค่าที่อุณหภูมิ ๒๐ องศาเซลเซียส โดยวิธีการตาม มอก.กำหนด เพื่อนำไปคำนวณค่าสภาพด้านทานต่อไป

๑๐.๓ เกณฑ์ตัดสิน สายลวดอลูมิเนียมตีเกลียวจะถือว่าผ่านการทดสอบนี้ เมื่อมีค่าสภาพ
ด้านทานไม่เกิน ค่าตามที่ มอก.๒๙๓ ฉบับล่าสุดกำหนดไว้

ข้อ ๑๑ พักติที่การไฟฟ้าส่วนภูมิภาคกำหนดให้มีการทดสอบเพื่อการตรวจรับในหัวข้อที่เป็นการ
ทดสอบแบบทำลาย จนพัสดุไม่สามารถนำกลับมาใช้งานได้ คู่สัญญาจะต้องนำพัสดุใหม่มาทดแทนเพื่อให้ครบ
จำนวนตามที่ระบุไว้ในสัญญาก่อนการไฟฟ้าส่วนภูมิภาครับมอบพัสดุไว้ใช้งาน โดยการไฟฟ้าส่วนภูมิภาคจะมี
หนังสือแจ้งให้ส่งของมาทดแทน ภายใน ๕ วันทำการนับจากวันที่ได้รับหนังสือแจ้ง หากคู่สัญญาไม่นำมา
ทดแทนภายในเวลาที่กำหนด การไฟฟ้าส่วนภูมิภาคจะคิดค่าปรับกรณีส่งของล่าช้าในอัตราร้อยละ ๐.๒๐ ของ
มูลค่าพัสดุนำมาทดแทน และผู้ขายต้องรับพัสดุที่ทดสอบแล้วชำระคืนกลับไป ภายใน ๓๐ วัน หลังจากได้นำ
พัสดุมาทดแทนให้การไฟฟ้าส่วนภูมิภาคแล้ว หากผู้ขายไม่ประสงค์จะรับพัสดุนั้นให้ทำหนังสือแจ้งการไฟฟ้าส่วน
ภูมิภาคทราบเพื่อที่จะดำเนินการต่อไป

ข้อ ๑๒ การชำระราคาพัสดุที่ตกลงซื้อขายกันการไฟฟ้าส่วนภูมิภาคจะชำระภายในเวลา ๓๐ วัน
นับถัดจากวันที่การไฟฟ้าส่วนภูมิภาคได้ทำการตรวจรับพัสดุที่คู่สัญญาส่งมอบถูกต้องเรียบร้อยแล้วในแต่ละงวด
และห้ามคู่สัญญาโอนสิทธิเรียกร้องการรับเงินให้กับบุคคลภายนอก

ข้อ ๑๓ ผู้ชนะการเสนอราคาจะต้องรับประกันความชำรุดบกพร่องอันเนื่องมาจากการใช้งานตามปกติ
ของพัสดุเป็นเวลาไม่น้อยกว่า ๑ ปี นับถัดจากวันที่การไฟฟ้าส่วนภูมิภาคได้รับมอบแล้ว เว้นแต่

๑๓.๑ ปูนซีเมนต์ปอร์ตแลนด์ประเภทเกิดแรงสูงเร็ว ต้องรับประกันคุณภาพเป็นเวลา
ไม่น้อยกว่า ๓๐ วัน นับถัดจากวันที่การไฟฟ้าส่วนภูมิภาคได้รับมอบแล้ว

๑๓.๒ พักติประเภทดังต่อไปนี้ต้องรับประกันคุณภาพเป็นเวลาไม่น้อยกว่า ๓ ปี เว้น
แต่รายละเอียดสเปค (Specification) กำหนดระยะเวลารับประกันคุณภาพไว้มากกว่า ๓ ปี นับถัดจากวันที่การ
ไฟฟ้าส่วนภูมิภาคได้รับมอบแล้ว ให้ถือระยะเวลารับประกันคุณภาพที่กำหนดไว้ในรายละเอียดสเปค

-On-load tap-changing power transformers for 115 kV
subtransmission substation

- Three-phase automatic voltage regulators (AVR) for 22 kV and 33 kV 50 Hz distribution System
- Single-phase and Three-phase transformers for 22 kV and 33 kV 50 Hz distribution system with and without ability to withstand short circuit
- Remote controlled switches for 22 kV and 33 kV 50 Hz distribution system
- Solid dielectric three-phase automatic reclosers for 22 kV and 33 kV 50 Hz distribution System
- Automatic switching equipment for HV power capacitor Bank
- Single-phase and Three-phase electromechanical and electronic energy meters

๑๓.๓ พัสตุที่จะจัดซื้อเป็น Porcelain cable spacer with grip locks and High-Density Polyethylene (HDPE) cable spacers and snap-tie ต้องรับประกันคุณภาพเป็นเวลาไม่น้อยกว่า ๕ ปี นับถึวันที่การไฟฟ้าส่วนภูมิภาคได้รับมอบแล้ว

ถ้าพัสตุเกิดความบกพร่องเนื่องจากวัสดุและหรือฝีมือไม่ดี ต้องรีบจัดการแก้ไขหรือเปลี่ยนใหม่ ให้เรียบร้อยโดยไม่คิดมูลค่า ภายใน ๓๐ วัน นับถึจากวันที่ได้รับแจ้งจากการไฟฟ้าส่วนภูมิภาค และหากความบกพร่องดังกล่าวเป็นเหตุให้เกิดความเสียหายหรือเกิดอุบัติเหตุใดๆขึ้น ผู้ชนะการเสนอราคาจะต้องรับผิดชอบใช้ค่าเสียหายทั้งหมด ตามข้อกำหนดทั่วไป และ/หรือรายละเอียดสเปค (Specification) จะกำหนดไว้ โดยไม่มีข้อโต้แย้งใดๆ

ในกรณีที่ผู้ชนะการเสนอราคารับพัสตุไปแก้ไข หรือการไฟฟ้าส่วนภูมิภาคส่งมอบพัสตุให้ผู้ชนะการเสนอราคาไปดำเนินการแก้ไข และผู้ชนะการเสนอราคาส่งมอบพัสตุที่แก้ไขแล้วคืนเกินกำหนดเวลา ๓๐ วัน ผู้ชนะการเสนอราคาต้องขยายกำหนดเวลารับประกันความชำรุดบกพร่องเท่ากับจำนวนวันที่เกินจากกำหนด ๓๐ วัน โดยนับต่อจากวันครบกำหนดเวลารับประกันเดิม สำหรับกรณีที่แก้ไขแล้วเสร็จพ้นกำหนดเวลารับประกัน ให้ขยายกำหนดตามจำนวนวันที่เกินจากกำหนด ๓๐ วัน โดยนับต่อจากวันส่งมอบพัสตุที่แก้ไขเสร็จเรียบร้อย แล้วแต่กรณี และยอมให้การไฟฟ้าส่วนภูมิภาคปรับเป็นรายวันในอัตรา ร้อยละ ๐.๐๔๑๐๙ ของราคาพัสตุรวมภาษีมูลค่าเพิ่ม ที่แก้ไขเกินกำหนด

ข้อ ๑๔ โครงการจัดซื้อจัดจ้างที่มีวงเงินตั้งแต่ ๕๐๐ ล้านบาทขึ้นไป รวมถึงการจัดซื้อจัดจ้างแบบเป็นกลุ่มประกวดราคา (Bid Group) ที่มีวงเงินตั้งแต่ ๕๐๐ ล้านบาทขึ้นไป (ตามประกาศคณะกรรมการความร่วมมือป้องกันการทุจริต เรื่อง มาตรฐานขั้นต่ำของนโยบายและแนวทางป้องกันการทุจริตในการจัดซื้อจัดจ้างที่ผู้ประกอบการ ต้องจัดให้มี ตามมาตรา ๑๙ แห่งพระราชบัญญัติการจัดซื้อจัดจ้างและการบริหารพัสดุภาครัฐ พ.ศ. ๒๕๖๐) ผู้เข้าร่วมการเสนอราคาจะต้องมีนโยบายและแนวทางการป้องกันการทุจริตในการจัดซื้อจัดจ้าง พร้อมทั้ง ต้องแนบเอกสารหลักฐาน และแบบตรวจสอบข้อมูลของผู้ประกอบการที่จะเข้าร่วมการเสนอราคาในโครงการที่มีวงเงินตั้งแต่ ๕๐๐ ล้านบาทขึ้นไป ประกอบเป็นเอกสารการเสนอราคา โดยผู้ประกอบการจะต้องมีการดำเนินการตามแบบตรวจสอบข้อมูลครบถ้วนทุกข้อจึงจะผ่านการพิจารณาคุณสมบัติของ ผู้เสนอราคา

ทั้งนี้เงื่อนไขตามข้อ ๑๔ ดังกล่าวจะเริ่มใช้ตั้งแต่วันที่ ๕ กุมภาพันธ์ ๒๕๖๒ เป็นต้นไป

ข้อ ๑๕ โครงการจัดซื้อจัดจ้างที่มีวงเงินตั้งแต่ ๑,๐๐๐ ล้านบาทขึ้นไป จะต้องดำเนินการตามประกาศคณะกรรมการความร่วมมือป้องกันการทุจริต (ค.ป.ท.) เรื่องแนวทางและวิธีการในการดำเนินงานโครงการความร่วมมือป้องกันการทุจริตในการจัดซื้อจัดจ้างภาครัฐ แบบของข้อตกลงคุณธรรม การคัดเลือกผู้สังเกตการณ์ และการจัดทำรายงานตามมาตรา ๑๗ และ มาตรา ๑๘ แห่งพระราชบัญญัติการจัดซื้อจัดจ้างและการบริหารพัสดุภาครัฐ พ.ศ. ๒๕๖๐ และได้รับ คัดเลือก จากคณะกรรมการความร่วมมือป้องกันการทุจริต (ค.ป.ท.) ให้จัดทำข้อตกลงคุณธรรม (integrity pact :IP)

ผู้ประสงค์จะเข้าร่วมการเสนอราคาในโครงการจัดทำข้อตกลงคุณธรรมจะต้องลงนามในข้อตกลงคุณธรรมซึ่งเป็นเอกสารที่ยื่นพร้อมกับเอกสารเสนอราคา หากไม่ลงนามในข้อตกลงคุณธรรมจะไม่มีสิทธิเข้าร่วมการเสนอราคาในโครงการนั้น

เงื่อนไขทั่วไปประกอบการจัดซื้อพัสดุ (เพิ่มเติม)

กฟภ. ขอสงวนสิทธิ์ที่จะทำการทดสอบเพื่อการตรวจรับ ณ ห้องทดสอบของ กฟภ. หรือที่โรงงานผู้ผลิตหรือที่สถาบันทดสอบอิสระอื่นที่ กฟภ. ยอมรับ ทั้งนี้ หากเป็นการทดสอบที่โรงงานผู้ผลิต หรือที่สถาบันทดสอบอิสระอื่นที่ กฟภ. ยอมรับคู่สัญญาจะต้องรับผิดชอบค่าใช้จ่ายในการทดสอบเพื่อการตรวจรับทั้งหมด

เงื่อนไขการส่งมอบ

สถานที่ส่งมอบ ณ การไฟฟ้าส่วนภูมิภาค เขต 2 (ภาคตะวันออกเฉียงเหนือ) จังหวัดอุบลราชธานี

ระยะเวลาส่งมอบ ตามจำนวนและรายการ กำหนดส่งของแล้วเสร็จภายใน 180 วัน นับถัดจากวันที่ลงนามในสัญญาซื้อขาย

รายการที่	รายการ	หน่วย	จำนวนซื้อ	กำหนดส่งมอบ
				งวด 1
ปอ.กบญ.ฉ.2 เครื่องมือเครื่องใช้ 4012566				
1	เครื่องมือทดสอบมิเตอร์ Three Phase Meter Test Station (Up to 20 Meters)	ชุด	1	1