

รายละเอียดคุณลักษณะเฉพาะ

ประกวดราคาอิเล็กทรอนิกส์

เลขที่ ปอ.กบญ.ฉ.2 พัสดุหลัก 201/2566

รายละเอียดคุณลักษณะเฉพาะของพัสดุ
ประกวดราคาอิเล็กทรอนิกส์
เลขที่ ปอ.กบญ.ฉ.2 พักตร์หลัก 201/2566

รายการ ที่	รหัสพัสดุ	รายการ	หน่วย	จำนวน ซื้อ
1	1060050019	METER (E) WATTHOUR 1P 5(100) A O/D BLE	EA	17,562

รายละเอียดคุณลักษณะเฉพาะ (Specification)

รายการ ที่	รหัสวัสดุ	รายการ	หน่วย	จำนวน ซื้อ
ประกวดราคา เลขที่ ปอ.กบญ.ฉ.2 วัสดุหลัก 201/2566				
1	1060050019	METER (E) WATTHOUR 1P 5(100) A O/D BLE	EA	17,562



การไฟฟ้าส่วนภูมิภาค
PROVINCIAL ELECTRICITY AUTHORITY

PROVINCIAL ELECTRICITY AUTHORITY

ELECTRICAL AND MECHANICAL ENGINEERING DIVISION

ELECTRONIC ENERGY METERS WITH WIRELESS COMMUNICATION

Specification No.: RMTR-038/2564

Approved date: 19/01/2564

Rev. No.: 2

Form No. -

Page 1 of 30

Invitation to Bid No.:

C Material, equipment, and specifications for ELECTRONIC ENERGY METERS WITH WIRELESS COMMUNICATION

C1 General material and packing instructions

In addition to the general instructions, the following shall be observed:

1a Scope

These specifications cover electronic energy meters with wireless communication used in PEA's system for measuring and recording electrical energy for billing, measuring, and recording other electrical quantities completed with their functions and accessories.

1b Standards

The electronic energy meters with wireless communication (hereinafter called the meters) shall be manufactured and tested in accordance with the following standards:

Thailand Industrial Standard (TIS)

TIS 1030-2552 Electricity metering equipment (a.c.) – General requirements, tests, and test conditions

TIS 2543-2555 Electricity metering equipment (a.c.) – Particular requirements – Static meters for active energy (classes 1 and 2)

International Electrotechnical Commission (IEC)

IEC 62052-11: 2003 Electricity metering equipment (a.c.) – General requirements, tests, and test conditions – Part 11: Metering equipment

IEC 62053-21: 2003 Electricity metering equipment (a.c.) – Particular requirements – Part 21: Static meters for active energy (classes 1 and 2)

IEC 62053-23: 2003 Electricity metering equipment (a.c.) – Particular requirements – Part 23: Static meters for reactive energy (classes 2 and 3)

And all other relevant standards unless otherwise specified in these specifications.

PEA will also accept the meters tested in accordance with the later edition of the above standards.

PEA will also accept the type test report in accordance with the previous edition of the above standards, if there is no significant change in any test items or no additional test item(s) compared with the above standards. On the other hand, if there is a significant change in any test items or there are any additional test items, the previous edition type test report with the additional test report(s) of the significant change test item(s) and/or additional test item(s) will be also accepted.



การไฟฟ้าส่วนภูมิภาค
PROVINCIAL ELECTRICITY AUTHORITY

PROVINCIAL ELECTRICITY AUTHORITY

ELECTRICAL AND MECHANICAL ENGINEERING DIVISION

ELECTRONIC ENERGY METERS WITH WIRELESS COMMUNICATION

Specification No.: RMTR-038/2564

Approved date: 19/01/2564

Rev. No.: 2

Form No. -

Page 2 of 30

1c Principal requirement

1c.1 Service conditions and installation

The meters shall be weatherproof and dustproof designed and constructed for **outdoor installation** on concrete poles **without additional protection** for operation under the following conditions:

- Altitude : up to 1,000 m above sea level
- Ambient air temperature : up to 55 °C
- Average relative humidity in any one year : up to 95 %
- Climatic condition : tropical climate

1c.2 Ratings and characteristics

The minimum requirement of ratings and characteristics of the meters shall be according to **Table 1:**

Ratings and characteristics of the meters.

Table 1

Ratings and characteristics of the meters

Ratings and characteristics	unit	Requirements ¹⁾	
		1-phase meters	3-phase 4-wire meters
Operating voltage	V AC	230 ± 10 %	230/400 ± 10 %
Current rating, direct connected, $I_b(I_{max})$	A	5(100)	5(100)
Reference frequency	Hz	50	
Accuracy class			
- Active energy	-	1	1
- Reactive energy	-	-	2
Protective class	-	II	
Degree of protection	-	IP 54	
Maximum operating temperature	°C	up to 55	
Maximum limit range of operation temperature	°C	up to 70	
Rated impulse voltage withstand	kV	6	

Note: ¹⁾ Requirements for each item of the electronic energy meters are specified in “C3 Schedule of detailed requirement”



การไฟฟ้าส่วนภูมิภาค
PROVINCIAL ELECTRICITY AUTHORITY

PROVINCIAL ELECTRICITY AUTHORITY

ELECTRICAL AND MECHANICAL ENGINEERING DIVISION

ELECTRONIC ENERGY METERS WITH WIRELESS COMMUNICATION

Specification No.: RMTR-038/2564

Approved date: 19/01/2564

Rev. No.: 2

Form No. -

Page 3 of 30

1c.3 Constructional requirements

The meters shall have constructional requirements as follows:

1c.3.1 Mounting

For the 1-phase meters shall be arranged for at least two-point mounting. Mounting holes shall accommodate 5.0 mm mounting screws. The upper mounting hole should be external or back of the body, and the one (1) lower mounting hole shall be on one side of the meter-base bottom part which is holding terminal block.

For the 3-phase meters shall be arranged for at least three-point mounting. Mounting holes shall accommodate 5.0 mm mounting screws. The upper mounting hole should be external or back of the body, and the two (2) lower mounting holes shall be on both sides of the meter-base bottom part which is holding terminal block, and the two (2) lower mounting holes shall be within the area of the perpendicular projection of the terminal cover.

1c.3.2 Meter base

Meter base shall be made of UV-resistance, high impact-resistance, and self-extinguishing polycarbonate. The color of the meter base is preferably grey.

1c.3.3 Meter cover

The meter cover shall be made of UV-resistance, high impact-resistance, and self-extinguishing polycarbonate. The meter cover shall be permanent seal such as using ultrasonic welding, chemical welding, lock type, etc. Sealing with glue or shear bolt shall not be accepted. The meter cover which can be opened without breaking shall not be accepted.

1c.3.4 Terminals and terminal block

The terminals shall be made of high-conductivity solid brass, or solid brass with nickel-plated or tin-plated. The terminal screws shall be made of solid brass or mild steel, with nickel-plated or tin-plated, or stainless steel.

The terminals and screws shall be suitable for using with aluminium and copper insulated cables having dimensions according to **Table 2: Dimensions of terminals and cables used with the meters**. Each terminal shall have two (2) fixing screws. The head of terminal screws shall be Phillips and Slot combination (Combo).

The size of terminal holes shall be according to **Table 2** and shall be the standard size from the manufacturer.

The terminals shall be designed to protect screw loosening, especially when the maximum conductor size specified in **Table 2** are installed.

The terminals and screws shall be designed to protect a deformation of the conductors (After installation, the conductors shall be removed from the terminal blocks easily without deformation or damage of the conductors, in case change or replacing the meter). The design of the terminals and screws shall be described by the bidders.

Table 2

Dimensions of terminals and cables used with the meters

Current rating $I_b(I_{max})$ (A)	Cables			Terminals	
	Cross-section area (mm ²)	Maximum Conductor diameter (mm)	Maximum diameter over insulation (mm)	Minimum diameter of holes (mm)	Bolt size
5(100)	up to 50	9.1	12.1	9.3	at least M6

1c.3.5 Terminal cover

The terminal cover shall be made of transparent (The wiring inside the cover can be observed clearly), UV-resistance, high impact-resistance, and self-extinguishing polycarbonate and suitable for cables incoming and outgoing vertically from the bottom, and shall have provision for security sealing.

The connection diagram of the meters shall be directly printed or embossed, and durably marked on the terminal cover.

The standard connection diagram is shown in **Figure 1** and **Figure 2** for 1-phase meters and 3-phase meters respectively.

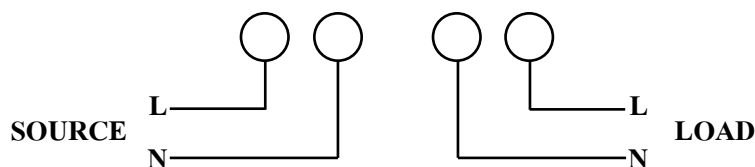


Figure 1: The standard connection diagram of 1-phase meters

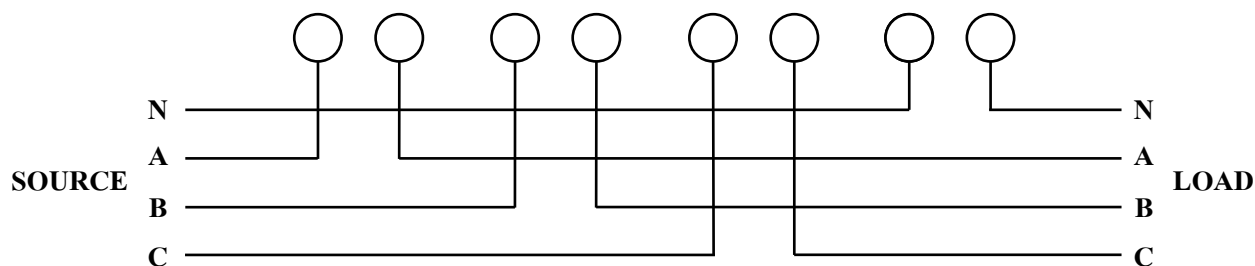


Figure 2: The standard connection diagram of 3-phase meters



การไฟฟ้าส่วนภูมิภาค
PROVINCIAL ELECTRICITY AUTHORITY

PROVINCIAL ELECTRICITY AUTHORITY

ELECTRICAL AND MECHANICAL ENGINEERING DIVISION

ELECTRONIC ENERGY METERS WITH WIRELESS COMMUNICATION

Specification No.: RMTR-038/2564

Approved date: 19/01/2564

Rev. No.: 2

Form No. -

Page 5 of 30

1c.3.6 Nameplate

The inscription on nameplate shall be permanently marked in English according to the relevant standard, and marked with four (4) additional marks as follows:

(1) SUPPLIED BY PROVINCIAL ELECTRICITY AUTHORITY

(2) PEA number : PEA XXXXXXXXXXXX

(XXXXXXXXXXXX is the number to be marked on the nameplate which shall be given by PEA after the final of bid consideration.)

(3) Barcode : The barcode to be marked shall be the same as PEA's number mentioned in Item (2). The barcode symbology shall be Code 128 according to ISO/IEC 15417)

(4) Contract number : The number to be marked on the nameplate which shall be given by PEA after the final of bid consideration.

The example of the nameplate is shown in **Figure 3**.

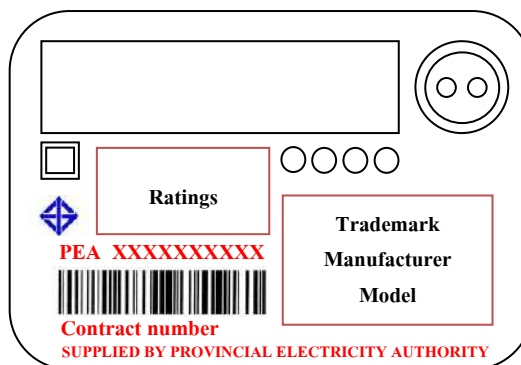


Figure 3: Example of meter's nameplate

The nameplate shall be placed inside the meter cover or placed inside a separate transparent cover for environment protection or laser marking on the meter cover.

1c.3.7 Polycarbonate

The polycarbonate used for meter base, meter cover, and terminal cover shall be high impact and UV resistant grade.

Information and properties of the polycarbonate shall be given by the manufacturers.

The manufacturers have to guarantee the quality of the meter base, meter cover, and terminal cover made of polycarbonate not less than ten (10) years.



การไฟฟ้าส่วนภูมิภาค
PROVINCIAL ELECTRICITY AUTHORITY

PROVINCIAL ELECTRICITY AUTHORITY

ELECTRICAL AND MECHANICAL ENGINEERING DIVISION

ELECTRONIC ENERGY METERS WITH WIRELESS COMMUNICATION

Specification No.: RMTR-038/2564

Approved date: 19/01/2564

Rev. No.: 2

Form No. -

Page 6 of 30

1c.3.8 Dimensions of the 1-phase meters

The overall dimensions of the meters shall not be more than $150 \times 220 \times 140$ mm (width \times length \times height) as shown in **Figure 4**.

In case the length is equal to 220 mm, the distance between the lower terminal block and lower terminal cover shall be between 20 and 30 mm.

In case the length less than 220 mm, the distance between the lower terminal block and lower terminal cover shall be between 20 and 40 mm.

The tolerance of the meter's dimensions shall be within ± 2 mm.

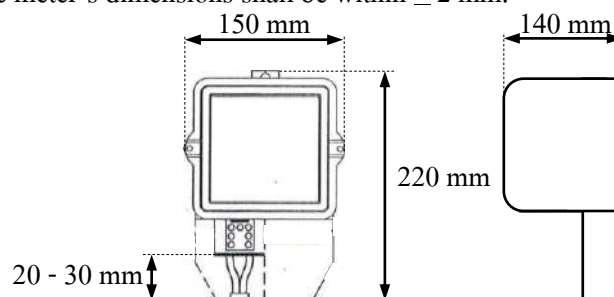


Figure 4: Dimensions of the 1-phase meters

1c.3.9 Dimensions of the 3-phase meters

The overall dimensions of the meters shall not be more than $190 \times 350 \times 150$ mm (width \times length \times height) as shown in **Figure 5**.

In case the length is equal to 350 mm, the distance between the lower terminal block and lower terminal cover shall be between 40 and 55 mm.

In case the length less than 350 mm, the distance between the lower terminal block and lower terminal cover shall be between 40 and 65 mm.

The tolerance of the meter's dimensions shall be within ± 2 mm.

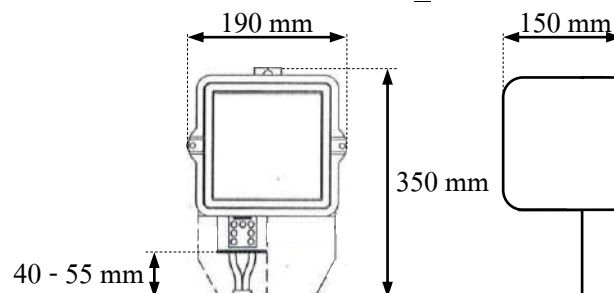


Figure 5: Dimensions of the 3-phase meters



การไฟฟ้าส่วนภูมิภาค
PROVINCIAL ELECTRICITY AUTHORITY

PROVINCIAL ELECTRICITY AUTHORITY

ELECTRICAL AND MECHANICAL ENGINEERING DIVISION

ELECTRONIC ENERGY METERS WITH WIRELESS COMMUNICATION

Specification No.: RMTR-038/2564

Approved date: 19/01/2564

Rev. No.: 2

Form No. -

Page 7 of 30

1c.4 Measured values and register unit

1c.4.1 Measured values and the register unit for 1-phase meters

The minimum requirements of quantities measured and displayed by the meters shall be according to

Table 3: Quantities measured and displayed of the 1-phase meters.

The display shall be at least a 6-digit LCD.

Table 3

Quantities measured and displayed of the 1-phase meters

Quantities measured and displayed	Unit	Digits display ²⁾
Display testing	-	All of the display
Current date	-	DD/MM/YY or DD.MM.YY or DD:MM:YY
Current time	-	HH:MM or HH:MM:SS
Total kWh ³⁾ (import ⁴⁾ , export ⁵⁾ , absolute ⁶⁾ and net ⁷⁾)	kWh	XXXXXX, or better
Maximum kW demand (import and export) of the last reset	kW	XX.XXX, or better
Instantaneous active power	kW	XX.XXX, or better
Instantaneous voltage (r.m.s.)	V	XXX.X, or better
Instantaneous current (r.m.s.)	A	XXX.XX, or better
Instantaneous power factor	-	X.XX, or better

Note: ²⁾ The leading zero shall not be shown.

³⁾ The group of Total kWh shown on the display shall be factory programmable and shall be also configured and programed by using the supporting software when PEA requires, to display only one (1) of three (3) groups mentioned below, PEA will give the prefer display group(s) to the Contractor after signing the contract. The groups of Total kWh are as the following:

- (1) Group 1: Total Import kWh and Total Export kWh
- (2) Group 2: Total Absolute kWh
- (3) Group 3: Total Net kWh

The values of Total kWh shall be displayed only for integer number (no rounding).

- ⁴⁾ Import is energy delivered from the PEA's grid to the customer.
- ⁵⁾ Export is energy received to the PEA's grid.
- ⁶⁾ Absolute is the sum of absolute import and absolute export energy.
- ⁷⁾ Net is the difference between the import and the export energy.

The display shall have symbols or indicators for indicating the power flow direction in four quadrants or arrow or Plus (+) or Minus (-) signs on display automatically or by pressing the actuator.



PROVINCIAL ELECTRICITY AUTHORITY

ELECTRICAL AND MECHANICAL ENGINEERING DIVISION

ELECTRONIC ENERGY METERS WITH WIRELESS COMMUNICATION

Specification No.: RMTR-038/2564

Approved date: 19/01/2564

Rev. No.: 2

Form No. -

Page 8 of 30

The register unit shall be a solid-state microprocessor-based register with internal memory. The internal memory shall be a non-volatile semi-conductor type. In case of a power outage, the internal memory shall be stored data.

The minimum size of the LCD display shall be 8 cm². The minimum height of each digit showing the measured quantities on LCD display shall be 8 mm.

The LCD display shall have the capability to operate under temperature up to 55 °C.

The register unit shall have the following display operating modes:

(1) **The default mode**, according to the following:

(1.1) **Group 1:** Total Import kWh and Total Export kWh

Display scrolling only Total Import kWh for 10 seconds, Total Export kWh for 10 seconds, and Display testing for 5 seconds.

(1.2) **Group 2:** Total Absolute kWh

Display scrolling only Total Absolute kWh for 10 seconds and Display testing for 5 seconds.

(1.3) **Group 3:** Total Net kWh

Display scrolling only Total Net kWh for 10 seconds and Display testing for 5 seconds.

The group of total kWh and the scrolling time shall be configurable by PEA.

(2) **Manual mode**, the actuator on the meter's panel shall be used for starting the display sequence and showing the various stored data according to **Table 3** and the group selected or configured by PEA. The meter's display should return to default mode if the actuator is not operated for more than 10 seconds.

In case of a power outage, the 1-phase meters shall display follow depending upon the group selected or configured by PEA on pressing the actuator:

(1) Group 1: Total Import kWh and Total Export kWh

(1.1) Total Import kWh

(1.2) Total Export kWh

(1.3) Maximum Demand Import kW (last reset)

(1.4) Maximum Demand Export kW (last reset)

(2) Group 2: Total Absolute kWh

(2.1) Total Absolute kWh

(2.2) Maximum Demand Import kW (last reset)

(2.3) Maximum Demand Export kW (last reset)

(3) Group 3: Total Net kWh

(3.1) Total Net kWh

(3.2) Maximum Demand Import kW (last reset)

(3.3) Maximum Demand Export kW (last reset)


ELECTRONIC ENERGY METERS WITH WIRELESS COMMUNICATION

Specification No.: RMTR-038/2564

Approved date: 19/01/2564

Rev. No.: 2

Form No. -

Page 9 of 30

1c.4.2 Measured values and the register unit for 3-phase meters

The minimum requirements of quantities measured and displayed by the meters shall be according to

Table 4: Quantities measured and displayed of the 3-phase meters.

The display shall be at least a 6-digit LCD.

Table 4
Quantities measured and displayed of the 3-phase meters

Quantities measured and displayed	Unit	Digits display ⁸⁾
Display testing	-	All of the display
Current date	-	DD/MM/YY or DD.MM.YY or DD:MM:YY
Current time	-	HH:MM or HH:MM:SS
Total kWh ⁹⁾ (import ¹⁰⁾ , export ¹¹⁾ , absolute ¹²⁾ and net ¹³⁾)	kWh	XXXXXX, or better
Total kvarh ⁹⁾ (import ¹⁰⁾ , export ¹¹⁾ , absolute ¹²⁾ and net ¹³⁾)	kvarh	XXXXXX, or better
Maximum kW demand (import and export) of the last reset	kW	XX.XXX, or better
Maximum kvar demand (import and export) of the last reset	kvar	XX.XXX, or better
Instantaneous total active power	kW	XX.XXX, or better
Instantaneous total reactive power	kvar	XX.XXX, or better
Instantaneous per-phase voltage (r.m.s.)	V	XXX.X, or better
Instantaneous per-phase current (r.m.s.)	A	XXX.XX, or better
Instantaneous total power factor	-	X.XX, or better

Note: ⁸⁾ The leading zero shall not be shown.

⁹⁾ The group of Total kWh and Total kvarh shown on the display shall be factory programmable and shall be also configured and programed by using the supporting software when PEA requires, to display only one (1) of three (3) groups mentioned below, PEA will give the prefer display group(s) to the Contractor after signing the contract. The groups of Total kWh and Total kvarh are as the following

- (1) Group 1: Total Import kWh and Total Export kWh as well as Total Import kvarh and Total Export kvarh
- (2) Group 2: Total Absolute kWh and Total Absolute kvarh
- (3) Group 3: Total Net kWh and Total Net kvarh

The values of Total kWh and Total kvarh shall be displayed only for integer number (no rounding).

¹⁰⁾ Import is energy delivered from the PEA's grid to the customer.

¹¹⁾ Export is energy received to the PEA's grid.

¹²⁾ Absolute is the sum of absolute import and absolute export energy.

¹³⁾ Net is the difference between the import and the export energy.

Each quantity in **Table 4** shall be displayed with the identification code, which confirms that quantity complies with PEA's requirement. The identification code shall be specified in **Table 5: Identification code of the 3-phase meters.**

The identification code shall be able to change (configure) and program by using the supporting software when PEA requires.



การไฟฟ้าส่วนภูมิภาค
PROVINCIAL ELECTRICITY AUTHORITY

PROVINCIAL ELECTRICITY AUTHORITY

ELECTRICAL AND MECHANICAL ENGINEERING DIVISION

ELECTRONIC ENERGY METERS WITH WIRELESS COMMUNICATION

Specification No.: RMTR-038/2564

Approved date: 19/01/2564

Rev. No.: 2

Form No. -

Page 10 of 30

Table 5

Identification code of the 3-phase meters

Code	Descriptions
090	Current date
091	Current time
000	Total kWh import
009	Maximum kW demand import (last reset)
100	Total kvarh import
109	Maximum kvar demand import (last reset)
300	Total kWh export
309	Maximum kW demand export (last reset)
400	Total kvarh export
409	Maximum kvar demand export (last reset)
600	Total kWh absolute
700	Total kvarh absolute
800	Total kWh net
900	Total kvarh net
093	Instantaneous total active power
193	Instantaneous total reactive power
500	Voltage phase A
501	Voltage phase B
502	Voltage phase C
503	Current phase A
504	Current phase B
505	Current phase C
512	Power factor phase A
513	Power factor phase B
514	Power factor phase C
515	Total power factor

The display shall have symbols or indicators for indicating the power flow direction in four quadrants or arrow or Plus (+) or Minus (-) signs on display automatically or by pressing the actuator.

The register unit shall be a solid-state microprocessor-based register with internal memory. The internal memory shall be a non-volatile semi-conductor type. In case of a power outage, the internal memory shall be stored data.



การไฟฟ้าส่วนภูมิภาค
PROVINCIAL ELECTRICITY AUTHORITY

PROVINCIAL ELECTRICITY AUTHORITY

ELECTRICAL AND MECHANICAL ENGINEERING DIVISION

ELECTRONIC ENERGY METERS WITH WIRELESS COMMUNICATION

Specification No.: RMTR-038/2564

Approved date: 19/01/2564

Rev. No.: 2

Form No. -

Page 11 of 30

The minimum size of the LCD display shall be 10 cm^2 . The minimum height of each digit showing the measured quantities on LCD display shall be 8 mm.

The LCD display shall have the capability to operate under temperature up to 55°C .

The register unit shall have the following display operating modes:

(1) **The default mode**, according to following:

(1.1) **Group 1:** Total Import kWh and Total Export kWh

Display scrolling only Total Import kWh for 10 seconds, Total Export kWh for 10 seconds, and Display testing for 5 seconds.

(1.2) **Group 2:** Total Absolute kWh

Display scrolling only Total Absolute kWh for 10 seconds and Display testing for 5 seconds.

(1.3) **Group 3:** Total Net kWh

Display scrolling only Total Net kWh for 10 seconds and Display testing for 5 seconds.

The group of total kWh and the scrolling time shall be configurable by PEA.

(2) **Manual mode**, the actuator on the meter's panel shall be used for starting the display sequence and showing the various stored data according to **Table 4** and the group selected or configured by PEA. The meter's display should return to default mode if the actuator is not operated for more than 10 seconds.

In case of a power outage, the 3-phase meters shall display follow depending upon the group selected or configured by PEA on pressing the actuator:

(1) Group 1: Total Import kWh and Total Export kWh

(1.1) Total Import kWh

(1.2) Total Export kWh

(1.3) Maximum Demand Import kW (last reset)

(1.4) Maximum Demand Export kW (last reset)

(2) Group 2: Total Absolute kWh

(2.1) Total Absolute kWh

(2.2) Maximum Demand Import kW (last reset)

(2.3) Maximum Demand Export kW (last reset)

(3) Group 3: Total Net kWh

(3.1) Total Net kWh

(3.2) Maximum Demand Import kW (last reset)

(3.3) Maximum Demand Export kW (last reset)



การไฟฟ้าส่วนภูมิภาค
PROVINCIAL ELECTRICITY AUTHORITY

PROVINCIAL ELECTRICITY AUTHORITY

ELECTRICAL AND MECHANICAL ENGINEERING DIVISION

ELECTRONIC ENERGY METERS WITH WIRELESS COMMUNICATION

Specification No.: RMTR-038/2564

Approved date: 19/01/2564

Rev. No.: 2

Form No. -

Page 12 of 30

1c.5 Features and functions

1c.5.1 Load profile function

The load profile data shall be an average value measured in each 15-minute period (block demand), and the timestamp shall be done at the end of each period. In normal operation, the maximum demand which recorded in the load profile data shall be the same with the maximum demand which shown on the register unit.

The detail of load profile data shall be according to **ANNEX 1: Table 5A and Table 6A** for 1-phase and 3-phase meters respectively. The load profile status shall be according to **ANNEX 1: Table 7A**.

The load profile data shall be stored in non-volatile memory. The storage capacity of the memory shall be able to store the data of each channel for not less than 45 days.

1c.5.2 Maximum demand zero reset

The maximum demand shall be able to be reset with PEA's mobile application and manufacturer's mobile application.

1c.5.3 Tampering detection and alarms for 1-phase meters

1c.5.3.1 PEA's low voltage distribution system

The 1-phase meters shall be designed to install in PEA's low voltage distribution system in **Figure 6**, the meter shall operate correctly and measure accurately.

The earthing system of PEA's low voltage distribution system can be divided in 2 types is shown in **Figure 6**.

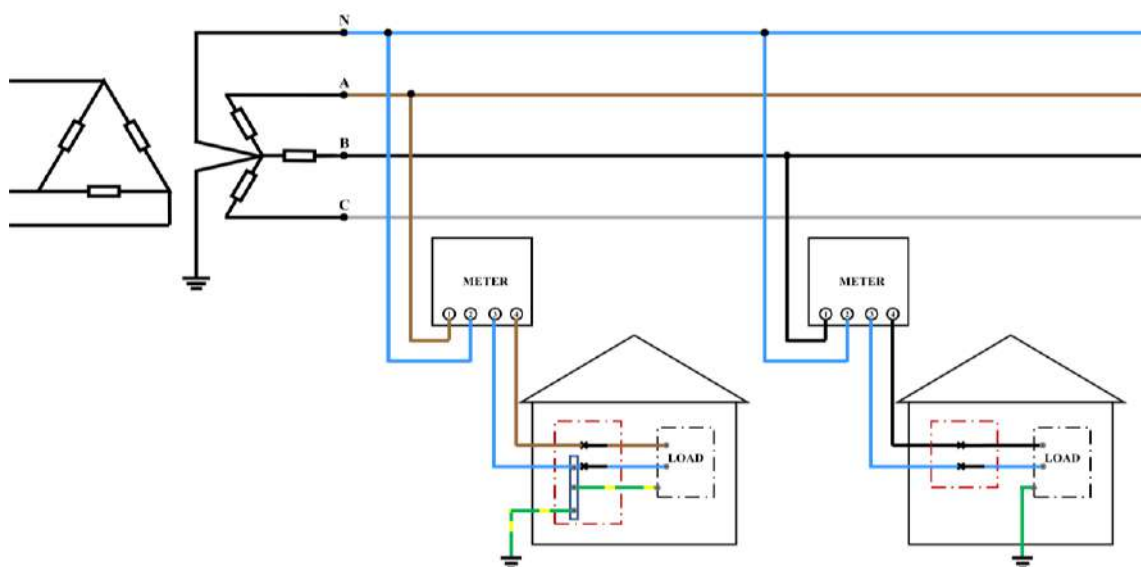


Figure 6: The earthing system of PEA's low voltage distribution system



การไฟฟ้าส่วนภูมิภาค
PROVINCIAL ELECTRICITY AUTHORITY

PROVINCIAL ELECTRICITY AUTHORITY

ELECTRICAL AND MECHANICAL ENGINEERING DIVISION

ELECTRONIC ENERGY METERS WITH WIRELESS COMMUNICATION

Specification No.: RMTR-038/2564

Approved date: 19/01/2564

Rev. No.: 2

Form No. -

Page 13 of 30

The 1-phase meters shall be operated under the following normal conditions:

- (1) In case of no energy consumption (circuit breaker is opened), the 1-phase meters shall not record energy. In this case, neutral currents may flow through the meters and earthing system. Detail as shown in **Figure 7**.

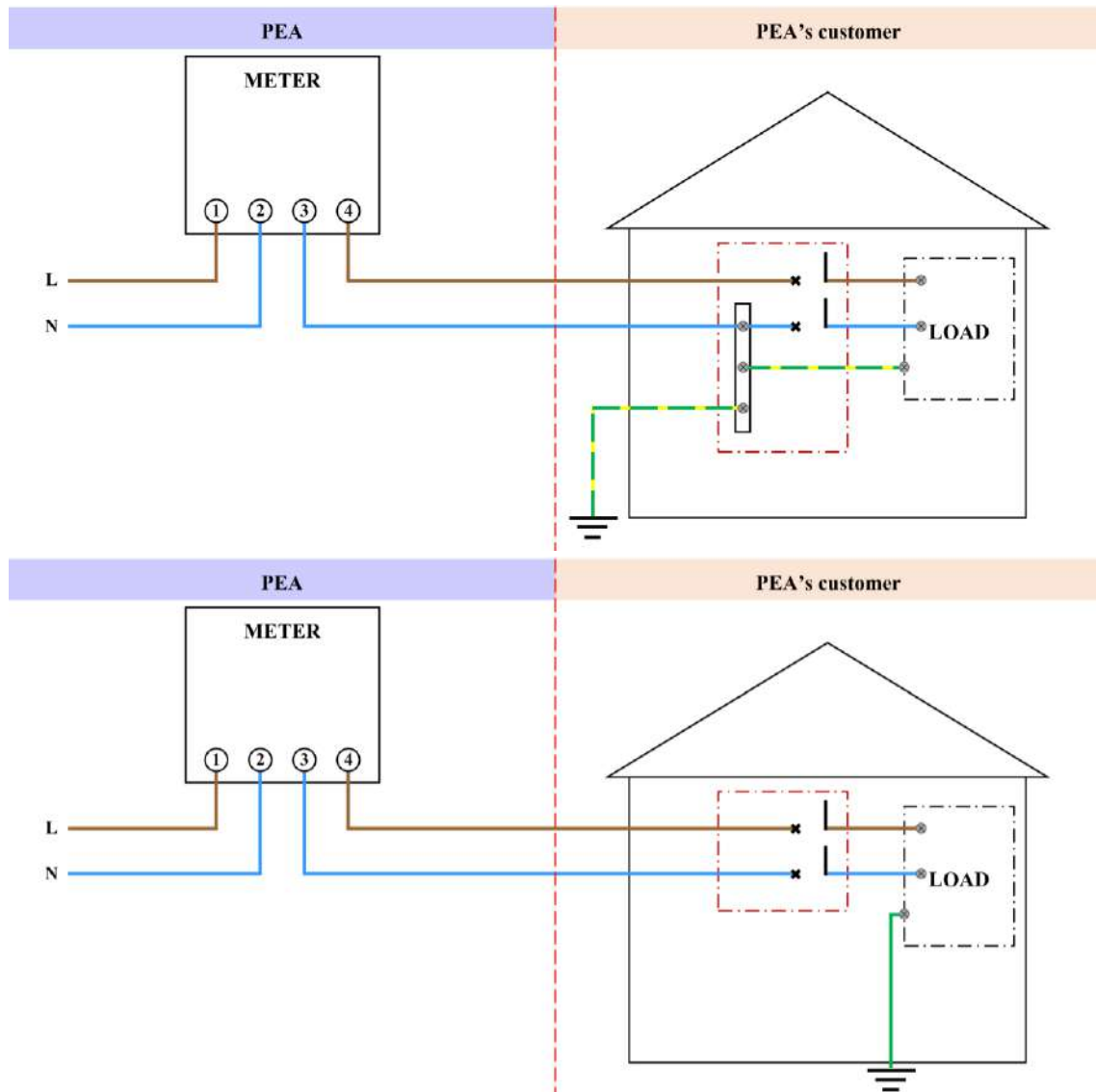


Figure 7: In case of no energy consumption (circuit breaker is opened)



การไฟฟ้าส่วนภูมิภาค
PROVINCIAL ELECTRICITY AUTHORITY

PROVINCIAL ELECTRICITY AUTHORITY

ELECTRICAL AND MECHANICAL ENGINEERING DIVISION

ELECTRONIC ENERGY METERS WITH WIRELESS COMMUNICATION

Specification No.: RMTR-038/2564

Approved date: 19/01/2564

Rev. No.: 2

Form No. -

Page 14 of 30

- (2) In case the customers use electric energy (circuit breaker is closed), the 1-phase meters shall record register forward energy correctly and accurately (the meter shall record energy by using only line current. In this case, neutral currents that may flow through the meters and earthing system shall be neglected.) Detail as shown in **Figure 8**.

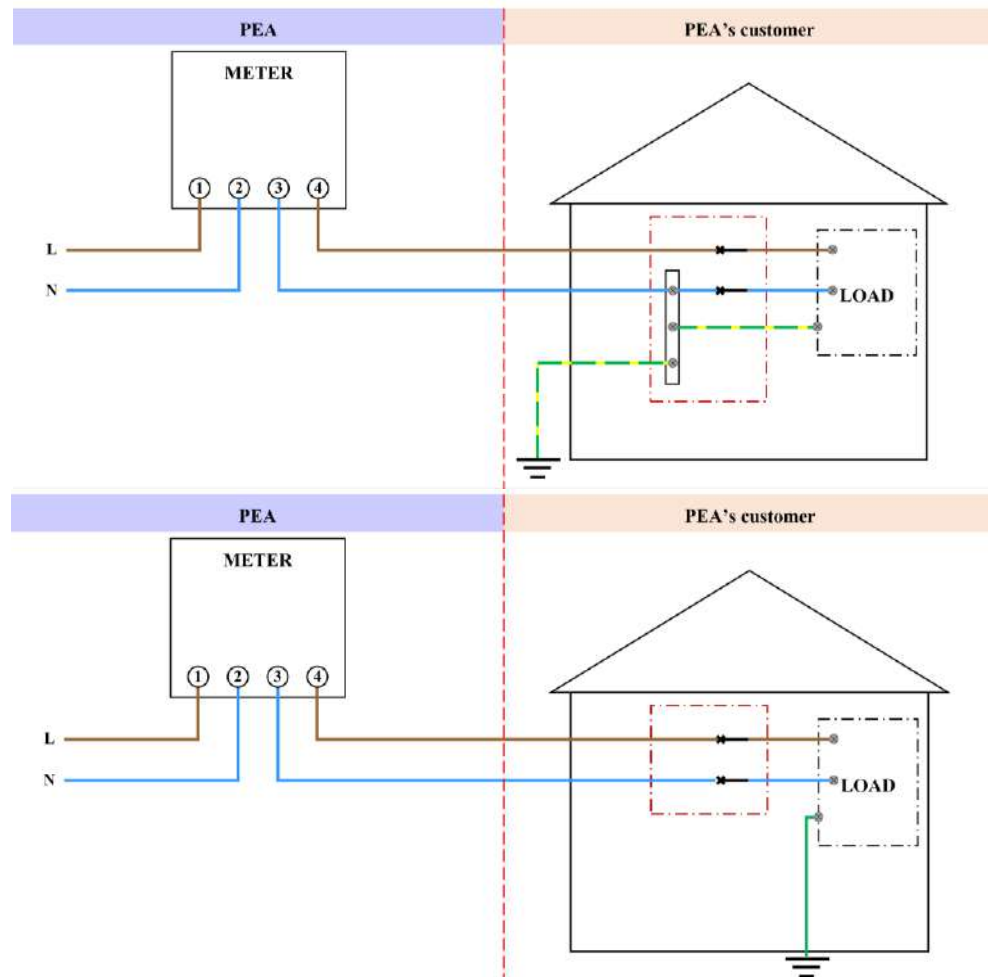


Figure 8: In case the customers use electric energy (circuit breaker is closed)

1c.5.3.2 Anti-tamper features

The 1-phase meters shall have at least the following anti-tamper features:

- (1) Missing neutral
- (2) Magnetic interference
- (3) Phase and neutral interchange (Phase and neutral interchange will be effective with bid invitation date from 1st January 2022)

In case tamper occurred, the 1-phase meters shall be designed the waiting time (for processing) before tamper detection. The waiting time shall be between 55 seconds and 120 seconds according to manufacturer's design.

Each anti-tamper feature shall be able to enable or disable by using the supporting software when PEA requires.



การไฟฟ้าส่วนภูมิภาค
PROVINCIAL ELECTRICITY AUTHORITY

PROVINCIAL ELECTRICITY AUTHORITY

ELECTRICAL AND MECHANICAL ENGINEERING DIVISION

ELECTRONIC ENERGY METERS WITH WIRELESS COMMUNICATION

Specification No.: RMTR-038/2564

Approved date: 19/01/2564

Rev. No.: 2

Form No. -

Page 15 of 30

1c.5.3.3 Tamper conditions and anti-tamper features

The 1-phase meters shall have the tampering detection features and shall be operated under the following tamper conditions:

(1) Missing neutral

In case missing neutral is detected as shown in **Figure 9**, the Actual Current shall be recorded. The values of total kWh shall be equal to the Actual current x 230 V x 1 (unity power factor) x Time. The backup power supply shall support up to 60-day-continuous operation in this condition. In this case, the 1-phase meters shall display only Total kWh by pressing the actuator, shall be able to record an event with date and time in the non-volatile memory according to **Annex 2: Table 1B**, but the alarm signal shall not be shown.

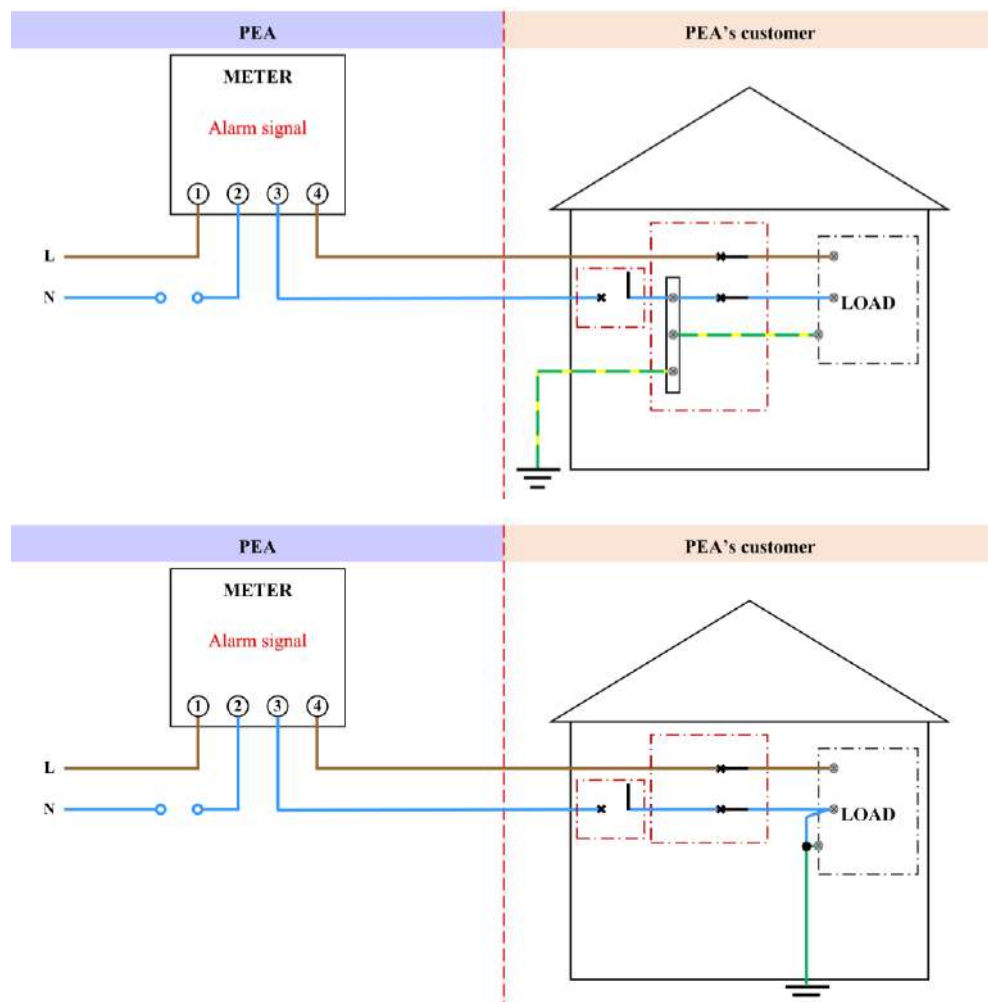


Figure 9: Missing neutral



การไฟฟ้าส่วนภูมิภาค
PROVINCIAL ELECTRICITY AUTHORITY

PROVINCIAL ELECTRICITY AUTHORITY

ELECTRICAL AND MECHANICAL ENGINEERING DIVISION

ELECTRONIC ENERGY METERS WITH WIRELESS COMMUNICATION

Specification No.: RMTR-038/2564

Approved date: 19/01/2564

Rev. No.: 2

Form No. -

Page 16 of 30

(2) Magnetic interference

- The 1-phase meters shall be designed to protect the magnetic interfere at least 0.15 ± 0.05 T from any direction. In this case, the 1-phase meters shall measure energy correctly and accurately, but the event and alarm signal shall not be recorded and shown respectively.
- Magnetic interference testing
PEA will test by using 0.15 ± 0.05 T of permanent magnet for test to prove the accuracy and the operating of meters that shall be work properly.

(3) Phase and neutral interchange (Phase and neutral interchange will be effective with bid invitation date from 1st January 2022)

- In case input phase and neutral connections are interchanged, load return is connected to local earth and it is not returned to the meters, as shown in **Figure 10**. In this case, the meter shall record the event with date and time in the non-volatile memory of the meter according to **Annex 2: Table 1B**, but it is unnecessary to measure energy correctly and accurately and the alarm signal shall not be shown.

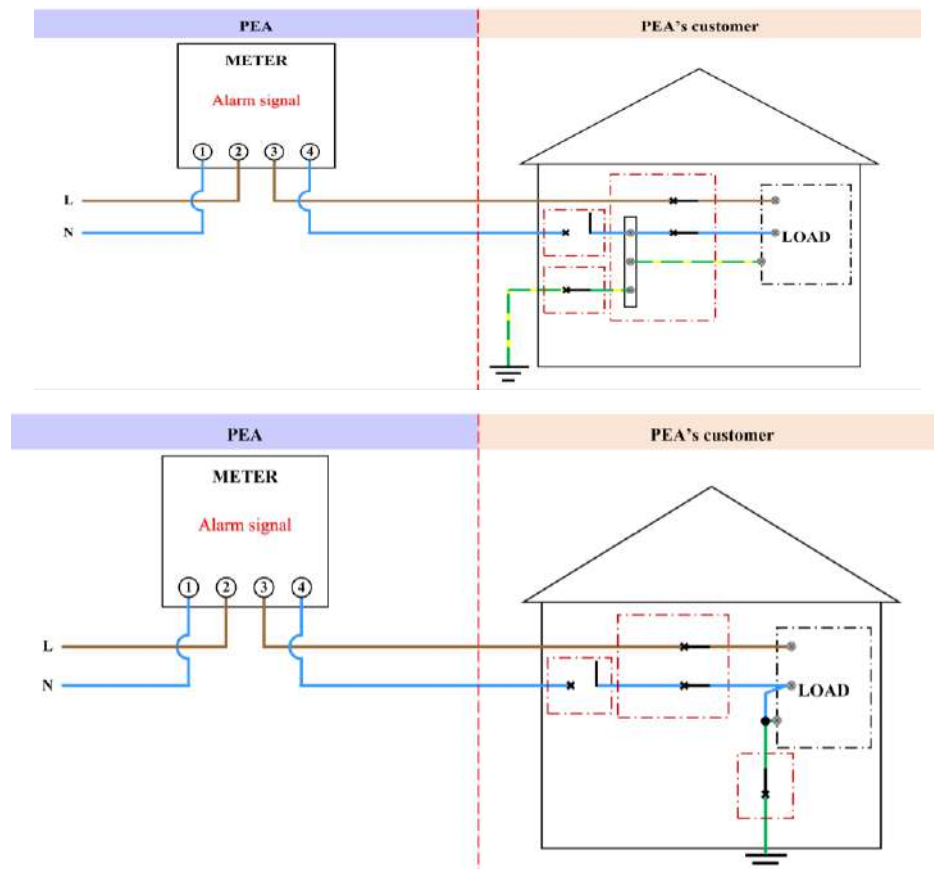


Figure 10: Input phase and neutral connections are interchanged, load return is connected to local earth and not returned to the meters



การไฟฟ้าส่วนภูมิภาค
PROVINCIAL ELECTRICITY AUTHORITY

PROVINCIAL ELECTRICITY AUTHORITY

ELECTRICAL AND MECHANICAL ENGINEERING DIVISION

ELECTRONIC ENERGY METERS WITH WIRELESS COMMUNICATION

Specification No.: RMTR-038/2564

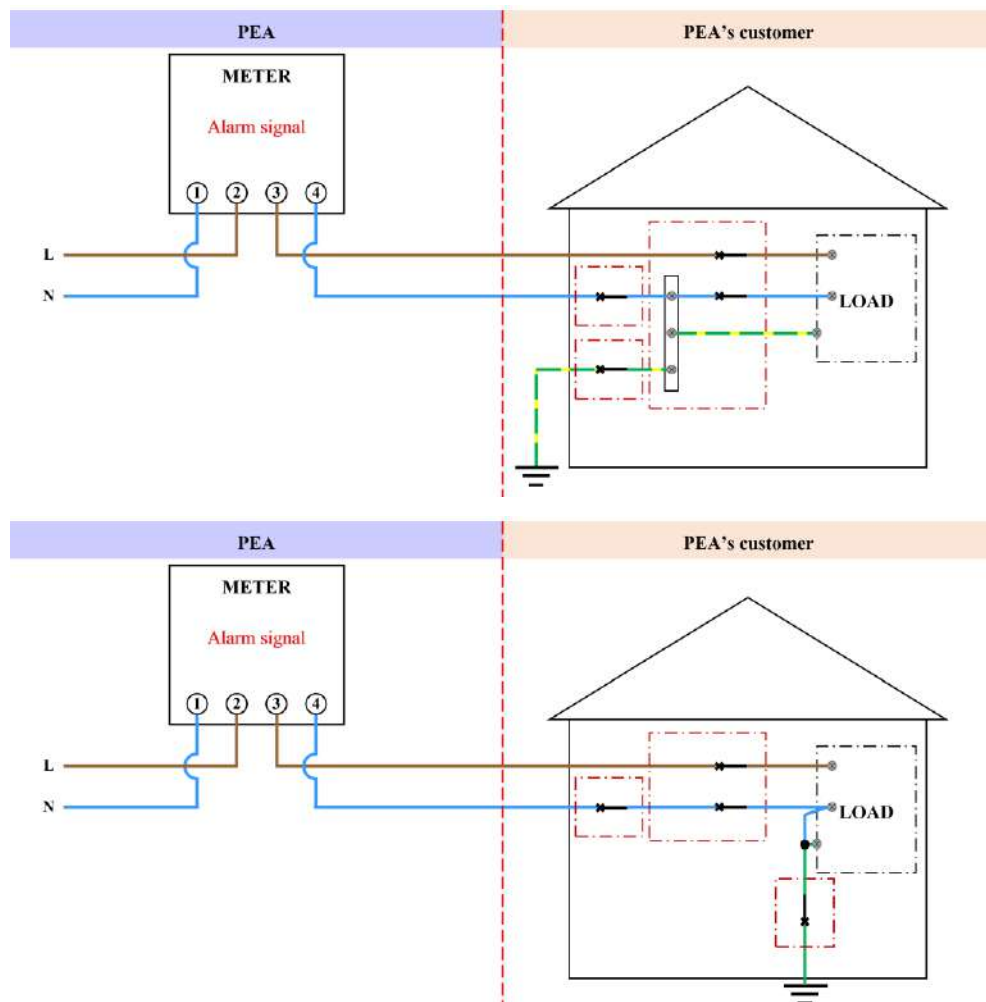
Approved date: 19/01/2564

Rev. No.: 2

Form No. -

Page 17 of 30

- In case input phase and neutral connections are interchanged, load return is connected to local earth and the meters, load is returned to local earth and the meters, as shown in **Figure 11**. In this case, the meter shall record the event with date and time in the non-volatile memory of the meter according to **Annex 2: Table 1B**, but it is unnecessary to measure energy correctly and accurately and the alarm signal shall not be shown.



**Figure 11: Input phase and neutral connections are interchanged,
load is returned to local earth and the meters**

A method for each condition of tampering detection shall be described by the bidders and shall be submitted with the bid.



การไฟฟ้าส่วนภูมิภาค
PROVINCIAL ELECTRICITY AUTHORITY

PROVINCIAL ELECTRICITY AUTHORITY

ELECTRICAL AND MECHANICAL ENGINEERING DIVISION

ELECTRONIC ENERGY METERS WITH WIRELESS COMMUNICATION

Specification No.: RMTR-038/2564

Approved date: 19/01/2564

Rev. No.: 2

Form No. -

Page 18 of 30

1c.5.4 Tampering detection and alarms for 3-phase meters

The 3-phase meters shall have the following tampering detection features and shall be able to record an event with date and time in the non-volatile memory of the meter according to **Annex 2: Table 1B** and register forward energy correctly and accurately under the following conditions:

- (1) Incoming main is connected to outgoing terminals, and load is connected to incoming terminals.

This function shall be programmable to disable by the supporting software.

- (2) In case of terminal cover is opened, the 3-phase meters shall be able to record the event but shall not be show alarm signal on the display or LED.

In the case of the 3-phase meters without “Terminal cover open detection”, the bidder shall provide other methods such as using the unopened sealed box. In this case, the bidder shall prepare the unopened sealed box for spare parts of three (3) % of the proposed meter.

- (3) The 3-phase meters shall be designed to protect the magnetic interfere at least 0.15 ± 0.05 T from any direction. In this case, the 3-phase meters shall measure energy correctly and accurately, but the event and alarm signal shall not be recorded and shown respectively. For magnetic interference testing, PEA will test by using 0.15 ± 0.05 T of permanent magnet for test to prove the accuracy and the operating of meters that shall be work properly.

- (4) Other tampering events according to the manufacturer's design.

A method for each condition of tampering detection shall be described by the bidders and shall be submitted with the bid.

In case tamper occurred, the 3-phase meters shall be designed the waiting time (for processing) before tamper detection. The waiting time shall be between 55 seconds and 120 seconds according to manufacturer's design.

Each anti-tamper feature shall be able to enable or disable by using the supporting software when PEA requires.

1c.5.5 Over and under voltage detection

The meters shall detect an over voltage (more than $230\text{ V} + 10\%$) and under voltage (less than $230\text{ V} - 10\%$) of the system when it occurred over 60 seconds continuously and shall record as an over voltage and under voltage events respectively. After the over voltage and under voltage events recorded if the system voltage is recovered to normal voltage ($230\text{ V} \pm 10\%$), over 60 seconds continuously, the meters shall record as a normal voltage event. All events can be downloaded by using local and wireless communication.

1c.5.6 Current neutral sensor (Current neutral sensor will be effective with bid invitation date from 1st January 2022)

The 1-phase meters shall be completed with the current sensor on the neutral terminal to measure the neutral current in normal condition and tamper conditions according to item (3) Phase and neutral interchange, in **1c.5.3.3 Tamper conditions and anti-tamper features**.



การไฟฟ้าส่วนภูมิภาค
PROVINCIAL ELECTRICITY AUTHORITY

PROVINCIAL ELECTRICITY AUTHORITY

ELECTRICAL AND MECHANICAL ENGINEERING DIVISION

ELECTRONIC ENERGY METERS WITH WIRELESS COMMUNICATION

Specification No.: RMTR-038/2564

Approved date: 19/01/2564

Rev. No.: 2

Form No. -

Page 19 of 30

1c.6 Communications

1c.6.1 Local communication

The meters shall have an optical port for data retrieval and configuration of all parameters of the meters. The physical of the port shall be according to IEC 62056-21.

1c.6.2 Wireless communication

The meters shall have Bluetooth technology for communication between the meters and android mobile devices for reading the data. The version of Bluetooth technology shall be 4.2, or later version.

The communication profile of the meters shall be according to **ANNEX 1**.

The details of the PEA's mobile application are specified in the "**ADDENDUM 3: Bluetooth Meter Application Interface – Spot Billing Application**" attached.

The details of the test procedure of meters and PEA's mobile application are specified in the "**ADDENDUM 4: Test procedure of the compatibility of meters and Bluetooth Meter Application Interface – Spot Billing Application**" attached.

1c.7 Functional self-checking

The meters shall be able to check its functional failures and display them on the meter's panel. The functional failures shall be checked by itself are as follows:

- (1) Internal failures such as clock fail, memory fails, etc.
- (2) Low battery (if the battery is used)
- (3) Other functional checking according to the manufacturer's design.

1c.8 Real-time clock and calendar

The meters shall have an internal real-time clock and/or a crystal-controlled time clock for providing calendar functions (such as the time of day, date, year, etc.). The accuracy of the clock shall be ± 2.0 seconds per day, or better.

1c.9 Power supply

The meters shall consume power from the main-line power supply. For 3-phase meters, meters shall operate if any two (2) among three (3)-phase and neutral are available e.g., the meter shall operate if AN, BN, CN, AB, BC, or AC is available.


ELECTRONIC ENERGY METERS WITH WIRELESS COMMUNICATION

Specification No.: RMTR-038/2564

Approved date: 19/01/2564

Rev. No.: 2

Form No. -

Page 20 of 30

1c.10 Backup power supply

The backup power supply shall be provided for keeping time in case of a power outage. The backup power supply shall be the battery and/or super capacitor. The backup power supply or other equipment shall have a minimum operating life span of ten (10) years in normal condition (without tampering cases) and storage life span (without line power) of at least two (2) years. Fixed type (On board) and/or replaceable type batteries meeting above condition shall be accepted. If the replaceable type batteries are proposed, the batteries shall be commercially standard type.

1c.11 Pulse output

The 1-phase meters shall have LED pulse output for testing of active energy accuracy (fix impulse/kWh).

The 3-phase meters shall have LED pulse outputs for testing of active energy accuracy (fix impulse/kWh) and reactive energy accuracy (fix impulse/kvarh), two (2) separated outputs shall be provided.

1c.12 Security system

The meters shall have a sophisticated security system to prevent fraudulent interference such as changing the meters reading via local communication.

The security compliance shall be in accordance with DLMS architecture.

The meters shall have at least two (2) groups of the accessible password as follows:

(1) Group 1: Password for administrators to write the software, set the system of the meters such as set function, set time, set password security for each group, and reset the register value.
The value of Total kWh cannot be changed.

(2) Group 2: Password for readers to read the stored data, including to read the time of the meters

1c.13 Supporting software

The supporting software shall have at least the following features and functions:

- Graphical User Interface (GUI) based
- Manual data retrieval
- Display all measured quantities
- Uploading firmware¹⁴⁾
- User authenticity on access levels
- Supporting meter calibration¹⁴⁾
- Clearing meter data¹⁴⁾
- Configurable of all parameters and programmable, according to the following items:
 - (1) Groups of Total kWh (only for 1-phase meters)
 - (2) Groups of Total kWh and Total kvarh (only for 3-phase meters)
 - (3) Scrolling time for default mode of display
 - (4) Identification code (only for 3-phase meters)
 - (5) Anti-tamper features



การไฟฟ้าส่วนภูมิภาค
PROVINCIAL ELECTRICITY AUTHORITY

PROVINCIAL ELECTRICITY AUTHORITY

ELECTRICAL AND MECHANICAL ENGINEERING DIVISION

ELECTRONIC ENERGY METERS WITH WIRELESS COMMUNICATION

Specification No.: RMTR-038/2564

Approved date: 19/01/2564

Rev. No.: 2

Form No. -

Page 21 of 30

- Writing all parameters completely at once
- Operating on Microsoft Windows 7, or later version

Note: ¹⁴⁾ PEA will also accept the proposed supporting software without uploading firmware and/or supporting meter calibration functions and/or clearing meter data, but in this case it's responsibility of the contractor and the meter's manufacturer to upload firmware and/or calibrate the meters and/or clearing meter data when the meters have a malfunction or PEA request, for the whole lifetime of the meters (ten (10) years commencing from the date of the meters are accepted by PEA). The contractor and/or the meter's manufacturer shall take responsibility within thirty (30) calendar days counted from the date of receiving notice for PEA.

1c.14 Calculation of the Mean Time to Failure

The documents such as calculation sheets, test reports, etc. showing the Mean Time to Failure (MTTF) of the proposed meters is equal to or more than ten (10) years shall be submitted with the bid.

1c.15 Samples

The bidders have to supply three (3) samples of the proposed meters with necessary accessories for testing such as notebook, optical probe, supporting software, etc. to PEA within five (5) working days counted from the bid closing date. The sample shall be the identical of the proposed meter.

The bidders who cannot supply the samples shall be rejected.

PEA reserves the right to test/check the samples according to the test items specified in **Table 6 : Sample test/check items**. In the case of the failing test/check results or the defective or inoperative meters during the test, the bidders shall be rejected.

PEA will also accept the major test report or major test certificate from PEA's Meter Division (from PEA's head office) instead of submitting the sample for Major test/check items. However, the bidders have to supply three (3) samples according to the above condition.

The major test report or major test certificate shall be made on the same product, type/model, physical properties, and all ratings as the proposed meter for this bid.

The major test report or major test certificate can be submitted with the bid.

The bidders who have submitted the major test report or major test certificate which is different from the above condition will be rejected.

The samples and necessary accessories will be returned after bid consideration. For the bidder who wins the bid, the sample of the proposed meters shall not be returned but necessary accessories will be returned after bid consideration.



การไฟฟ้าส่วนภูมิภาค
PROVINCIAL ELECTRICITY AUTHORITY

PROVINCIAL ELECTRICITY AUTHORITY

ELECTRICAL AND MECHANICAL ENGINEERING DIVISION

ELECTRONIC ENERGY METERS WITH WIRELESS COMMUNICATION

Specification No.: RMTR-038/2564

Approved date: 19/01/2564

Rev. No.: 2

Form No. -

Page 22 of 30

Table 6

Sample test/check items

Major test/check items
<ol style="list-style-type: none"> 1. Type test items according to reference standards such as tests of accuracy requirements, tests of insulation properties 2. Physical properties checking, consisting of: <ol style="list-style-type: none"> 2.1 Meter cover (see 1c.3.3) 2.2 Terminals and terminal block (see 1c.3.4) 2.3 Terminal cover (see 1c.3.5) only for physical properties do not include connection diagram 2.4 Dimensions of the 1-phase meters (see 1c.3.8) 2.5 Dimensions of the 3-phase meters (see 1c.3.9) 2.6 LED for showing pulse output (see 1c.11) (hardware) 3. Measured values and register unit, consisting of: <ol style="list-style-type: none"> 3.1 Measured values and the register unit for 1-phase meters (see 1c.4.1) 3.2 Measured values and the register unit for 3-phase meters (see 1c.4.2) 4. Function test, consisting of: <ol style="list-style-type: none"> 4.1 Tampering detection and alarms for 1-phase meters (see 1c.5.3) 4.2 Tampering detection and alarms for 3-phase meters (see 1c.5.4) 4.3 Power supply (see 1c.9) 5. Communications (see 1c.6) 6. Pulse output (see 1c.11) (software)
Other tests/check items
<ol style="list-style-type: none"> 1. Physical properties checking, consisting of: <ol style="list-style-type: none"> 1.1 Mounting (see 1c.3.1) 1.2 Terminals screws (see 1c.3.4) 1.3 Connection diagram (see 1c.3.5) 1.4 Nameplate (see 1c.3.6) 2. Function test, consisting of: <ol style="list-style-type: none"> 2.1 Load profile function (see 1c.5.1) 2.2 Maximum demand zero reset (see 1c.5.2) 2.3 Over and under voltage detection (see 1c.5.5) 2.4 Functional self-checking (see 1c.7) 2.5 Security system (see 1c.12) 3. Supporting software (see 1c.13)

Note:

1. The major test/check items mean the samples shall be completely passed the test/check without any correction.
2. For the other tests/check items, if the samples failed the tests/checks, PEA will give notice for correction to the bidders. The bidder who wins the bid shall be correct the meters according to the notice before delivery.



การไฟฟ้าส่วนภูมิภาค
PROVINCIAL ELECTRICITY AUTHORITY

PROVINCIAL ELECTRICITY AUTHORITY

ELECTRICAL AND MECHANICAL ENGINEERING DIVISION

ELECTRONIC ENERGY METERS WITH WIRELESS COMMUNICATION

Specification No.: RMTR-038/2564

Approved date: 19/01/2564

Rev. No.: 2

Form No. -

Page 23 of 30

1d Packing

Each meter and accessory shall be packed in a suitable corrugate-paper package with cushioning materials such as air bubble or other methods in one (1) set per package to avoid damage during transportation.

The following minimum information shall be marked on the package:

- (1) Manufacturer's name or Trade mark
- (2) Type/model
- (3) Current rating
- (4) PEA's number
- (5) Contract number

The meters of the same item shall be packed in a suitable wooden case in units of one hundred (100) or one hundred and twenty (120) for 1-phase meters and ten (10) or fifty (50) for 3-phase meters.

The wooden case shall be designed to be movable by a forklift truck in such a manner that the truck's forks can be inserted at any side of the bottom of the case.

If the wooden case is made of rubberwood (Yang-para or Hevea brasiliensis), the wooden parts shall be treated with wood preservative.

Plastic foam shall not be accepted.

1e Tests and test reports

1e.1 Routine test

Each meter shall pass the manufacturer's standard routine tests, and also pass the following tests in accordance with the relevant standards:

- (1) AC voltage tests
- (2) Limits of error due to variation of the current
 - (2.1) $0.05 I_b$, p.f. 1.0, balanced phase
 - (2.2) $0.1 I_b$, p.f. 1.0, balanced phase
 - (2.3) $0.2 I_b$, p.f. 0.5L (inductive load), balanced phase
 - (2.4) $0.2 I_b$, p.f. 0.8C (capacitive load), balanced phase
 - (2.5) I_b , p.f. 1.0, balanced phase
 - (2.6) I_b , p.f. 0.5L (inductive load), balanced phase
 - (2.7) I_b , p.f. 0.8C (capacitive load), balanced phase
 - (2.8) I_b , p.f. 1.0, unbalanced phase (only for 3-phase meters)
 - (2.9) I_{max} , p.f. 1.0, balanced phase
 - (2.10) I_{max} , p.f. 0.5L (inductive load), balanced phase
 - (2.11) I_{max} , p.f. 0.8C (capacitive load), balanced phase



การไฟฟ้าส่วนภูมิภาค
PROVINCIAL ELECTRICITY AUTHORITY

PROVINCIAL ELECTRICITY AUTHORITY

ELECTRICAL AND MECHANICAL ENGINEERING DIVISION

ELECTRONIC ENERGY METERS WITH WIRELESS COMMUNICATION

Specification No.: RMTR-038/2564

Approved date: 19/01/2564

Rev. No.: 2

Form No. -

Page 24 of 30

- (3) Interpretation of test results (In case test results fall outside the limits in 2)
- (4) Test of meter constant
- (5) Initial start-up of the meter
- (6) Test of starting condition
- (7) Test of no-load condition

The list of the routine test shall be submitted with the bid.

1e.2 Type test

Meter shall pass the following type tests in accordance with the TIS 1030 and TIS 2543 standards (or IEC 62052-11 and IEC 62053-21 standards):

- (1) Tests of insulation properties
 - (1.1) Impulse voltage tests
 - (1.2) AC voltage tests
- (2) Tests of accuracy requirements
 - (2.1) Limits of error due to variation of the current
 - (2.2) Interpretation of test results (In case test results fall outside the limits in 2.1)
 - (2.3) Test of meter constant
 - (2.4) Initial start-up of the meter
 - (2.5) Test of starting condition
 - (2.6) Test of no-load condition
 - (2.7) Test of influence quantities
- (3) Tests of electrical requirements
 - (3.1) Test of power consumption
 - (3.2) Test of influence of supply voltage
 - (3.3) Test of influence of short-time overcurrents
 - (3.4) Test of influence of self-heating
 - (3.5) Test of influence of heating
- (4) Tests for electromagnetic compatibility (EMC)
 - (4.1) Radio interference suppression
 - (4.2) Fast transient burst test
 - (4.3) Damped oscillatory waves immunity test (only for CT operated meters)
 - (4.4) Test of immunity to electromagnetic RF fields
 - (4.5) Test of immunity to conducted disturbances, induced by radio-frequency fields
 - (4.6) Test of immunity to electrostatic discharges
 - (4.7) Surge immunity test



การไฟฟ้าส่วนภูมิภาค
PROVINCIAL ELECTRICITY AUTHORITY

PROVINCIAL ELECTRICITY AUTHORITY

ELECTRICAL AND MECHANICAL ENGINEERING DIVISION

ELECTRONIC ENERGY METERS WITH WIRELESS COMMUNICATION

Specification No.: RMTR-038/2564

Approved date: 19/01/2564

Rev. No.: 2

Form No. -

Page 25 of 30

- (5) Tests of the effect of the climatic environments
 - (5.1) Dry heat test
 - (5.2) Cold test
 - (5.3) Damp heat, cyclic test
 - (5.4) Solar radiation test
- (6) Mechanical tests
 - (6.1) Vibration test
 - (6.2) Shock test
 - (6.3) Spring hammer test
 - (6.4) Tests of protection against penetration of dust and water
 - (6.5) Test of resistance to heat and fire

The type tests shall be conducted or inspected by the acknowledged testing laboratories/institutes as following:

- (1) Independent laboratories/institutes which are members of the Short-circuit Testing Liaison (STL) or independent laboratories/institutes which are accredited according to TIS 17025 or ISO/IEC 17025 with the scope of accreditation covered the relevant test items, standards, and equipment. The certification and scope of accreditation of the independent laboratories/institutes shall be submitted with the bid for consideration.
- (2) Thailand's national laboratories, institutes, universities, and electric utilities, as follows:
 - National Metal and Materials Technology Center (MTEC)
 - Electrical and Electronic Products Testing Center (PTEC)
 - Thai Industrial Standards Institute (TISI)
 - Electrical and Electronics Institute (EEI)
 - Department of Science Service (DSS)
 - Testing Laboratory, Electrical Engineering Department, Faculty of Engineering, Chulalongkorn University
 - Electricity Generating Authority of Thailand (EGAT)
 - Metropolitan Electricity Authority (MEA)
 - Provincial Electricity Authority (PEA)
 - Other laboratories, institutes, universities or electric utilities approved by PEA

In case of the foreign manufacturers having experience of more than twenty (20) years in design, manufacture and sell the meters, PEA will accept type test report(s) conducted by the manufacturer's laboratory or other independent laboratories without qualification mentioned in (1) or (2). Documents showing the manufacturer's experience such as the reference list shall be submitted with the bid for consideration.



การไฟฟ้าส่วนภูมิภาค
PROVINCIAL ELECTRICITY AUTHORITY

PROVINCIAL ELECTRICITY AUTHORITY

ELECTRICAL AND MECHANICAL ENGINEERING DIVISION

ELECTRONIC ENERGY METERS WITH WIRELESS COMMUNICATION

Specification No.: RMTR-038/2564

Approved date: 19/01/2564

Rev. No.: 2

Form No. -

Page 26 of 30

The bidders or manufacturers who prefer to carry out the type tests of the meters with the laboratories or by the manufacturers themselves without the qualification mentioned above, the detail of the test facilities of the laboratories or the manufacturer shall be submitted to PEA for approval before proceeding the tests and before the bid closing date. PEA reserves the right to send representatives to inspect and witness the tests with the cost of the bidders or manufacturers.

The type test report done by the laboratories in Thailand or local manufacturers shall be valid within five (5) years counted from the issued date in the test report to the bid closing date.

The type test reports shall be made on the same product, type/model, physical properties, and all ratings of the meter(s) which PEA want to purchase.

The type test reports shall be submitted with the bid.

PEA will also accept other documents instead of the type test reports and type test certificates in the following conditions:

- (1) In case the proposed meters has been supplied to PEA and get the order from PEA's Procurement Department (from PEA's head office), the Purchase Order (PO) can be submitted, or
- (2) In case the proposed meters has been registered for PEA Product Acceptance, the not-expired registration certificate counted to the bid closing date can be submitted, or
- (3) In case the proposed meters has been registered for Product lists for substation turnkey project, the not-expired registration certificate counted to the bid closing date can be submitted instead

However, the document in case (1) and (2) shall be proved that the meters specified in the PO or registration certificate shall be the same product, type/model and all ratings as the proposed meters for this bid and shall be used the same PEA's specification number. In case (3), the meters specified in the registration certificate shall be the same product, type/model, and all ratings as the proposed meters for this bid.

The cost of all tests and reports shall be borne by the manufacturers or bidders.

1e.3 Acceptance tests

PEA's acceptance committee will inspect and randomly sampling the meters for testing. The details of the acceptance test are specified in the "Addendum 1" attached.

PEA reserves the right to test the samples by PEA's laboratory or independent laboratory or the manufacturer's laboratory.

The cost of all tests and reports shall be borne by the contractor.



การไฟฟ้าส่วนภูมิภาค
PROVINCIAL ELECTRICITY AUTHORITY

PROVINCIAL ELECTRICITY AUTHORITY

ELECTRICAL AND MECHANICAL ENGINEERING DIVISION

ELECTRONIC ENERGY METERS WITH WIRELESS COMMUNICATION

Specification No.: RMTR-038/2564

Approved date: 19/01/2564

Rev. No.: 2

Form No. -

Page 27 of 30

1f Other critical documents

The other critical documents of the proposed electronic energy meters and accessories shall be submitted with the bid as follows:

- (1) Catalogue, rating, and characteristics of the electronic energy meters, communication modules, and accessories
- (2) Details and drawings, with dimensions in mm, of the electronic energy meters, communication modules and accessories
- (3) Description of the supplied communication and supporting software



การไฟฟ้าส่วนภูมิภาค
PROVINCIAL ELECTRICITY AUTHORITY

PROVINCIAL ELECTRICITY AUTHORITY

ELECTRICAL AND MECHANICAL ENGINEERING DIVISION

ELECTRONIC ENERGY METERS WITH WIRELESS COMMUNICATION

Specification No.: RMTR-038/2564

Approved date: 19/01/2564

Rev. No.: 2

Form No. -

Page 28 of 30

C2 Material and packing data of the electronic energy meters

The following guarantee performances and details shall be submitted with the bid:

2a Critical documents of the proposed electronic energy meters with wireless communication and accessories (See pages 30 of 30).

2b Packing details

Packing method (shown by drawing(s), and describe packing materials, the wooden case only)

Dimensions of each package in cm

Gross weight of each package in kg

Net weight of each package in kg

Number of packages in each wooden case

Volume of each wooden case in m³

Gross weight of each wooden case in kg

Number of wooden cases

Type of storage facility required (indoor, outdoor)



การไฟฟ้าส่วนภูมิภาค
PROVINCIAL ELECTRICITY AUTHORITY

PROVINCIAL ELECTRICITY AUTHORITY

ELECTRICAL AND MECHANICAL ENGINEERING DIVISION

ELECTRONIC ENERGY METERS WITH WIRELESS COMMUNICATION

Specification No.: RMTR-038/2564

Approved date: 19/01/2564

Rev. No.: 2

Form No. -

Page 29 of 30

Note: Conditions for documentation and consideration

1. The Contractor has to supply the following documents, before shipment/delivery, for each type of the ordered meters and accessories.
 - 1.1 Reports of type tests and routine tests (in English and/or Thai)
 - 1.2 Twelve (12) copies of the complete installation, operation, and maintenance instructions (in English and Thai)
 - 1.3 Twelve (12) copies of complete part lists (in English and/or Thai)
 - 1.4 Six (6) copies of instruction of the communication protocol and security system (in English and Thai)
 - 1.5 Six (6) copies of software handbooks for users and programmers (in English and Thai)

The above documents shall be sent to the following address:

Meter and Transformer System Department

Provincial Electricity Authority

200 Ngam Wong Wan Road, Chatuchak

Bangkok Metropolis Thailand

10900

2. Delivery time is also one of the important factors to be considered.
3. Partial shipment/delivery is allowed.
4. The Contractor shall send the firmware or operation program which suitable for PEA's requirement such as PEA's electricity tariff, etc. to **Meter and Transformer System Department** within eight (8) working days counted from the date of signing the contract. PEA will check firmware or operation program within six (6) working days counted from the date of receiving firmware or operation program.



การไฟฟ้าส่วนภูมิภาค
PROVINCIAL ELECTRICITY AUTHORITY

PROVINCIAL ELECTRICITY AUTHORITY

ELECTRICAL AND MECHANICAL ENGINEERING DIVISION

ELECTRONIC ENERGY METERS WITH WIRELESS COMMUNICATION

Specification No.: RMTR-038/2564

Approved date: 19/01/2564

Rev. No.: 2

Form No. -

Page 30 of 30

Critical documents of the proposed electronic energy meters with wireless communication and accessories

Item	Required technical documents	Proposed technical document	Reference document (page/folder)
1	Description of method for each condition of tampering detection, as mentioned in 1c.5.3 and 1c.5.4	<input type="checkbox"/> Yes <input type="checkbox"/> No	
2	Documents such as calculation sheets, test reports, etc. showing the Mean Time to Failure (MTTF) of the proposed electronic energy meters is equal to or more than ten (10) years, as mentioned in 1c.14	<input type="checkbox"/> Yes <input type="checkbox"/> No	
3	Major test report or major test certificate (In case of the bidder submit the major test report or major test certificate instead of submitting the sample for Major test/check items of 1c.15)	<input type="checkbox"/> Yes <input type="checkbox"/> No	
4	List of routine tests, as mentioned in 1e.1	<input type="checkbox"/> Yes <input type="checkbox"/> No	
5	Type/design test reports with detail of testing laboratories/institutes, or	<input type="checkbox"/> Yes <input type="checkbox"/> No	
	The copy of previous Purchase Order (PO) or Contract with List of suppliers or Proposal form, or	<input type="checkbox"/> Yes <input type="checkbox"/> No	
	PEA Product Acceptance registration certificate, or	<input type="checkbox"/> Yes <input type="checkbox"/> No	
	Product lists registration certificate	<input type="checkbox"/> Yes <input type="checkbox"/> No	
6	Documents for showing the manufacturer's experience. (In case of the test by the manufacturer's laboratory or other independent laboratories without qualification mentioned in (1) or (2) of 1e.2 Type test)	<input type="checkbox"/> Yes <input type="checkbox"/> No	
7	Catalogue, rating, and characteristics of the electronic energy meters, communication modules, and accessories, as mentioned in 1f	<input type="checkbox"/> Yes <input type="checkbox"/> No	
8	Details and drawings, with dimensions in mm, of the electronic energy meters, communication modules and accessories, as mentioned in 1f	<input type="checkbox"/> Yes <input type="checkbox"/> No	
9	Description of the supplied communication and supporting software, as mentioned in 1f	<input type="checkbox"/> Yes <input type="checkbox"/> No	
10	Packing details, as mentioned in 2b	<input type="checkbox"/> Yes <input type="checkbox"/> No	

Note: The bidders who do not submit all critical documents mentioned in the above table with the bid will be rejected.



การไฟฟ้าส่วนภูมิภาค
PROVINCIAL ELECTRICITY AUTHORITY

PROVINCIAL ELECTRICITY AUTHORITY

ELECTRICAL AND MECHANICAL ENGINEERING DIVISION

Specification No.: RMTR-038/2564: ELECTRONIC ENERGY METERS WITH WIRELESS COMMUNICATION

Page 1 of 1

C3 Schedule of detailed requirement

Invitation to Bid No.:

Item	PEA Material No.	Quantity	Description
1	1060050019	1 lot	<p>1.1set(s) Electronic energy meter, 1-phase 2-wire, direct connected, with:</p> <p>Operating voltage : 230 ± 10 % V AC</p> <p>Current rating, $I_b(I_{max})$: 5(100) A</p> <p>Complete with:</p> <ol style="list-style-type: none"> 1) Supporting software 2) Instruction manuals for meter and software in Thai and English 3) And other according to manufacturer's design (give details) <p>1.2set(s) Optical probe for meter communication</p>
2	1060050111	1 lot	<p>2.1set(s) Electronic energy meter, 3-phase 4-wire, direct connected, with:</p> <p>Operating voltage : 230/400 ± 10 % V AC</p> <p>Current rating, $I_b(I_{max})$: 5(100) A</p> <p>Complete with:</p> <ol style="list-style-type: none"> 1) Supporting software 2) Instruction manuals for meter and software in Thai and English 3) And other according to manufacturer's design (give details) <p>2.2set(s) Optical probe for meter communication</p> <p>Note:</p> <ol style="list-style-type: none"> 1. The bidders have to quote the unit costs. 2. Training course conducted by a specialist from the manufacturer shall be provided by the contractor, for PEA's personnel, not less than two (2) days, for installation, operation, configuration, and maintenance of the meters including the software. The training course shall be free of charge. 3. The contractor has to guarantee the quality of the meters for five (5) years commencing from the date PEA receives the meters and accessories at the final delivery lot. During the guarantee period, the contractor shall replace the defective or inoperative meters, caused by the quality of the meters according to PEA's regulation, by the new one with free of charge, within thirty (30) calendar days counted from the date of receiving notice from PEA, and shall also pay a penalty of One thousand and five hundred (1,500) THB for each defective or inoperative meter.

Invitation to Bid No : ปอ.กบญ.ฉ.2 พัสดุหลัก 201/2566

Specification No :

C3 Schedule of detailed requirement

Item	PEA material No	Quantity	Description
			“เป็นพัสดุที่ผลิตภายในประเทศไทย”



การไฟฟ้าส่วนภูมิภาค
PROVINCIAL ELECTRICITY AUTHORITY

PROVINCIAL ELECTRICITY AUTHORITY

ELECTRICAL AND MECHANICAL ENGINEERING DIVISION

Specification No.: RMTR-038/2564: ELECTRONIC ENERGY METERS WITH WIRELESS COMMUNICATION

Page 1 of 2

C4 Price schedule

Invitation to Bid No.:

Manufacturer :

Country of origin :

Trade-mark :

Item	PEA Material No.	Catalogue No.	Description	Quantity	Unit Cost (See details & conditions attached)	Total Cost (See details & conditions attached)
1	1060050019		1.1 Electronic energy meter, 1-phase 2-wire, direct connected, with: Operating voltage : 230 ± 10 % V AC Current rating, $I_b(I_{max})$: 5(100) A Complete with: 1) Supporting software 2) Instruction manuals for meter and software in Thai and English 3) And other according to manufacturer's design (give details) 1.2 Optical probe for meter communication	set(s)		
					Total of Item 1	



การไฟฟ้าส่วนภูมิภาค
PROVINCIAL ELECTRICITY AUTHORITY

PROVINCIAL ELECTRICITY AUTHORITY

ELECTRICAL AND MECHANICAL ENGINEERING DIVISION

Specification No.: RMTR-038/2564: ELECTRONIC ENERGY METERS WITH WIRELESS COMMUNICATION

Page 2 of 2

C4 Price schedule

Invitation to Bid No.:

Manufacturer :

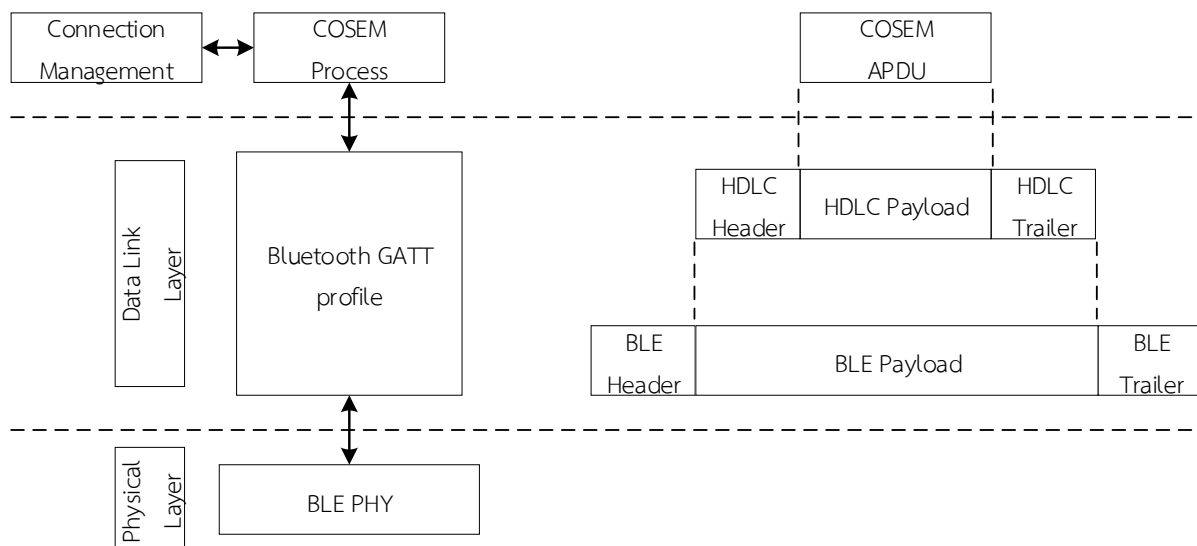
Country of origin :

Trade-mark :

Item	PEA Material No.	Catalogue No.	Description	Quantity	Unit Cost (See details & conditions attached)	Total Cost (See details & conditions attached)
2	1060050111		2.1 Electronic energy meter, 3-phase 4-wire, direct connected, with: Operating voltage : 230/400 ± 10 % V AC Current rating, $I_b(I_{max})$: 5(100) A Complete with: 1) Supporting software 2) Instruction manuals for meter and software in Thai and English 3) And other according to manufacturer's design (give details) 2.2 Optical probe for meter communication	set(s)		
					Total of Item 2	


ANNEX 1
DLMS/COSEM OBIS code for electronic energy meters with wireless communication
1. DLMS/COSEM Communication Profile

The communication profile for the meters with Bluetooth technology is HDLC profile. The detail of HDLC is show in the **Figure 1A**.


Figure 1A: HDLC communication profile
2. Billing Data

Typical purpose of billing data is the reported of energy consumption of electronic meters. The billing data are modeled as Profile Generic Interface Class (class_id = 7). The parameters for Profile Generic IC are specified in **Table 1A**. The OBIS code of billing Data is 1-0:98.1.0.255. The capture objects are specified in **Table 2A** for 1-phase meters and in **Table 3A** for 3-phase meters.

The meters shall be able to record at least 12 billing periods of the billing data.



การไฟฟ้าส่วนภูมิภาค
PROVINCIAL ELECTRICITY AUTHORITY

PROVINCIAL ELECTRICITY AUTHORITY

ELECTRICAL AND MECHANICAL ENGINEERING DIVISION

ELECTRONIC ENERGY METERS WITH WIRELESS COMMUNICATION

Specification No.: RMTR-038/2564

Approved date: 19/01/2564

Rev. No.: 2

Form No. -

Page 2 of 8

Table 1A

Billing Parameters

Billing Data (OBIS code: 1-0:98.1.0.255)				Access Right	Remark
Attributes			Data type	MR	
1	logical_name	(static)	octet-string	R	
2	buffer	(dyn.)	array	R	
3	capture_objects	(static)	array	R	
4	capture_period	(static)	double-long-unsigned	R	0 ; Asynchronous
5	sort_method	(static)	enum	R	(1) FIFO
6	sort_object	(static)	capture_object_definition	R	0
7	entries_in_use	(dyn.)	double-long-unsigned	R	
8	profile_entries	(static)	double-long-unsigned	R	
Specific methods			m/o		
1	reset (data)		o		Use to clear billing data
2	capture (data)		m		
3	reserved from previous versions		o		
4	reserved from previous versions		o		

Table 2A

1-phase meter's Billing Capture Objects

Parameter	OBIS code						Detail	scal_unit_type		Data Type	IC	Attr.
	A	B	C	D	E	F		scaler	unit			
Clock object	0	0	1	0	0	255	Time stamp using system clock			octet-string [9]	8	2
Total kWh (Cumulative)	1	0	1	8	0	255	Σ Li Active power+ (QI+QIV); Time integral 1; Rate 0	0	Wh [30]	double_long_unsigned [6]	3	2
	1	0	2	8	0	255	Σ Li Active power- (QII+QIII); Time integral 1; Rate 0	0	Wh [30]	double_long_unsigned [6]	3	2
Total kWh absolute	1	0	15	8	0	255	Σ Li Active power (abs(QI+QIV)+abs(QII+QIII)); Time integral 1; Rate 0 (0 is total)	0	Wh [30]	double_long_unsigned [6]	3	2
Total kWh net	1	0	16	8	0	255	Σ Li Active power (abs(QI+QIV)-abs(QII+QIII)); Time integral 1; Rate 0 (0 is total)	0	Wh [30]	double_long [5]	3	2
Max. Demand (Last reset)	1	0	1	6	0	255	Σ Li Active power+ (QI+QIV); Max.	0	W [27]	double_long_unsigned [6]	4	2
	1	0	2	6	0	255	Σ Li Active power- (QII+QIII); Max.	0	W [27]	double_long_unsigned [6]	4	2
Minimum Voltage	1	0	12	3	0	255	Voltage; Min.	-2	V [35]	long_unsigned [18]	3	2
Alarm Descriptor 1	0	0	97	98	20	255	Alarm Descriptor object 1			double_long_unsigned[6]	1	2
Alarm Discriptor 2	0	0	97	98	21	255	Alarm Descriptor object 2			double_long_unsigned[6]	1	2

Note: The unit of Max. Demand (Last reset) shall be "W" (Watt). PEA's mobile application will correct the unit of Max. Demand (Last reset) to "kW" (Kilowatt) after reading.



การไฟฟ้าส่วนภูมิภาค
PROVINCIAL ELECTRICITY AUTHORITY

PROVINCIAL ELECTRICITY AUTHORITY

ELECTRICAL AND MECHANICAL ENGINEERING DIVISION

ELECTRONIC ENERGY METERS WITH WIRELESS COMMUNICATION

Specification No.: RMTR-038/2564

Approved date: 19/01/2564

Rev. No.: 2

Form No. -

Page 3 of 8

Table 3A

3-phase meter's Billing Capture Objects

Parameter	OBIS code						Detail	scal_unit_type		Data Type	IC	Attr.
	A	B	C	D	E	F		scaler	unit			
Clock object	0	0	1	0	0	255	Time stamp using system clock			octet-string [9]	8	2
Total kWh (Cumulative)	1	0	1	8	0	255	\sum Li Active power+ (QI+QIV); Time integral 1; Rate 0	0	Wh [30]	double_long_unsigned [6]	3	2
	1	0	2	8	0	255	\sum Li Active power- (QII+QIII); Time integral 1; Rate 0	0	Wh [30]	double_long_unsigned [6]	3	2
Total kWh absolute	1	0	15	8	0	255	\sum Li Active power (abs(QI+QIV)+abs(QII+QIII)); Time integral 1; Rate 0 (0 is total)	0	Wh [30]	double_long_unsigned [6]	3	2
Total kWh net	1	0	16	8	0	255	\sum Li Active power (abs(QI+QIV)-abs(QII+QIII)); Time integral 1; Rate 0 (0 is total)	0	Wh [30]	double_long [5]	3	2
Max. Demand (Last reset)	1	0	1	6	0	255	\sum Li Active power+ (QI+QIV); Max.	0	W [27]	double_long_unsigned [6]	4	2
	1	0	2	6	0	255	\sum Li Active power- (QII+QIII); Max.	0	W [27]	double_long_unsigned [6]	4	2
Minimum Voltage of L1	1	0	32	3	0	255	L1 Voltage; Min.	-2	V [35]	long_unsigned [18]	3	2
Minimum Voltage of L2	1	0	52	3	0	255	L2 Voltage; Min.	-2	V [35]	long_unsigned [18]	3	2
Minimum Voltage of L3	1	0	72	3	0	255	L3 Voltage; Min.	-2	V [35]	long_unsigned [18]	3	2
Alarm Descriptor 1	0	0	97	98	20	255	Alarm Descriptor object 1			double_long_unsigned[6]	1	2
Alarm Descriptor 2	0	0	97	98	21	255	Alarm Descriptor object 2			double_long_unsigned[6]	1	2

- Note: 1. The unit of Max. Demand (Last reset) shall be "W" (Watt). PEA's mobile application will correct the unit of Max. Demand (Last reset) to "kW" (Kilowatt) after reading.
2. Minimum Voltage (L1, L2, L3) is the smallest of last averaged instantaneous voltage value per phase, by which the instantaneous voltage will be averaged within a window of 60 seconds, during a billing period.



การไฟฟ้าส่วนภูมิภาค
PROVINCIAL ELECTRICITY AUTHORITY

PROVINCIAL ELECTRICITY AUTHORITY

ELECTRICAL AND MECHANICAL ENGINEERING DIVISION

ELECTRONIC ENERGY METERS WITH WIRELESS COMMUNICATION

Specification No.: RMTR-038/2564

Approved date: 19/01/2564

Rev. No.: 2

Form No. -

Page 4 of 8

3. Load Profile Data

Typical purpose of load profile data is the consumption record management along the time. The load profile data are modeled as Profile Generic Interface Class (class_id = 7). The parameters for Profile Generic IC are specified in **Table 4A**. The OBIS code of Load Profile Data is 1-0:99.1.0.255. The capture objects are specified in **Table 5A** for 1-phase meters and in **Table 6A** for 3-phase meters.

Table 4A

Load Profile Parameters

Load Profile Data (OBIS code: 1-0:99.1.0.255)				Access Right	Remark
Attributes			Data type	MR	
1	logical_name	(static)	octet-string	R	
2	buffer	(dyn.)	array	R	
3	capture_objects	(static)	array	R	
4	capture_period	(static)	double-long-unsigned	R	900 s (15 min.)
5	sort_method	(static)	enum	R	(1) FIFO
6	sort_object	(static)	capture_object_definition	R	0
7	entries_in_use	(dyn.)	double-long-unsigned	R	
8	profile_entries	(static)	double-long-unsigned	R	
Specific methods			m/o		
1	reset (data)		o		Use to clear load profile
2	capture (data)		o		
3	reserved from previous versions		o		
4	reserved from previous versions		o		

Table 5A

1-Phase Meters Capture Objects

Parameter	OBIS code						Detail	scal_unit_type		Data Type	IC	Attr.
	A	B	C	D	E	F		scaler	unit			
Clock object	0	0	1	0	0	255	Time stamp using system clock			octet-string [9]	8	2
Status	0	0	96	10	1	255	Profile Status			unsigned [17]	1	2
Voltage: Avg. value (V)	1	0	12	27	0	255	Voltage; 15 mins. Avg. value;	-2	V [35]	long_unsigned [18]	3	2
Demand	1	0	1	27	0	255	Σ Li Active power+ (QI+QIV); Avg. Value	0	W [27]	double_long_unsigned [6]	3	2
	1	0	2	27	0	255	Σ Li Active power- (QII+QIII); Avg. Value	0	W [27]	double_long_unsigned [6]	3	2

Note: The unit of Demand shall be "W" (Watt). PEA's mobile application will correct the unit of Demand to "kW" (Kilowatt) after reading.



การไฟฟ้าส่วนภูมิภาค
PROVINCIAL ELECTRICITY AUTHORITY

PROVINCIAL ELECTRICITY AUTHORITY

ELECTRICAL AND MECHANICAL ENGINEERING DIVISION

ELECTRONIC ENERGY METERS WITH WIRELESS COMMUNICATION

Specification No.: RMTR-038/2564

Approved date: 19/01/2564

Rev. No.: 2

Form No. -

Page 5 of 8

Table 6A

3-Phase Meters Capture Objects

Parameter	OBIS code						Detail	scal_unit_type		Data Type	IC	Attr.
	A	B	C	D	E	F		scaler	unit			
Clock object	0	0	1	0	0	255	Time stamp using system clock			octet-string [9]	8	2
Status	0	0	96	10	1	255	Profile Status			unsigned [17]	1	2
Voltage: Avg. value (V)	1	0	32	27	0	255	Voltage L1;; 15 mins. Avg. value;	-2	V [35]	long_unsigned [18]	3	2
	1	0	52	27	0	255	Voltage L2;; 15 mins. Avg. value;	-2	V [35]	long_unsigned [18]	3	2
	1	0	72	27	0	255	Voltage L3;; 15 mins. Avg. value;	-2	V [35]	long_unsigned [18]	3	2
Demand	1	0	1	27	0	255	Σ Li Active power+ (QI+QIV); Avg. Value	0	W [27]	double_long_unsigned [6]	3	2
	1	0	2	27	0	255	Σ Li Active power- (QII+QIII); Avg. Value	0	W [27]	double_long_unsigned [6]	3	2

Note: The unit of Demand shall be “W” (Watt). PEA’s mobile application will correct the unit of Demand to “kW” (Kilowatt) after reading.

The following function describes the state and function of all bits:

Table 7A

Load Profile Status

Bit	Flag	Description
7	PDN	Power down: This bit is set to indicate that an all-phase power failure occurred.
6	0	Not use
5	CAD	Clock adjusted: The bit is set when clock has been adjusted more than the synchronization limit. At the same time the DNV flag is set because the capture period deviates from its nominal lengths and shall not be used for billing.
4	0	Not use
3	0	Not use
2	DNV	Data not valid: Indicates that the current entry cannot be used for billing e.g. due to time shift or if no values have been recorded during the capture period.
1	CIV	Clock invalid: The power reserve of the calendar clock has been exhausted. The time is declared as invalid. At the same time the DNV bit is set.
0	ERR	Critical error: A serious error such as a hardware failure or a checksum error has occurred. At the same time, the DNV bit is set.



4. Alarms

Some events listed in **Annex 3** can trigger alarms. If one of these events occurs, then the corresponding flag in the alarm register is set high. Unwanted alarms can be masked out by the programmed alarm filters. The trigger of a given alarm bit may be originated from diverse events; therefore, the alarm event only provides to Smart Device, an insight of the device situation. A deeper knowledge of the device diagnostic (what kind of event? when? and why?) needs the reading of the related event logs involved. The alarm register 1 structure and alarm register 2 structure are displayed in **Annex 2**.

4.1 Alarm management

Table 8A specifies the alarm processing supported by the objects

Table 8A
Required Objects for Alarms

Parameter	OBIS code						Detail	Data Type	IC	Attr.
	A	B	C	D	E	F				
Alarm register 1	0	0	97	98	0	255	Alarm register object; #1	double_long_unsigned [6]	1	2
Alarm register 2	0	0	97	98	1	255	Alarm register object; #2	double_long_unsigned [6]	1	2
Alarm Filter 1	0	0	97	98	10	255	Alarm filter object; #1	double_long_unsigned [6]	1	2
Alarm Filter 2	0	0	97	98	11	255	Alarm filter object; #2	double_long_unsigned [6]	1	2
Alarm Descriptor 1	0	0	97	98	20	255	Alarm descriptor object; #1	double_long_unsigned [6]	1	2
Alarm Descriptor 2	0	0	97	98	21	255	Alarm descriptor object; #2	double_long_unsigned [6]	1	2

4.2 Alarm processing

Alarm Registers:

- Alarm register contains all information on the cause of the alarm.
- Specific bits of alarm registers may be internally reset if the cause of the alarm has been cleared. Alternatively, all bits may be externally reset by the client by executing a SET=0 service to the alarm registers' attribute, value.

Alarm Filters:

- The alarm filters have exactly the same structure of the alarm registers. Alarm filters are used to filter out unwanted alarms. The alarm is enabled when a bit in the alarm register is set by the meter and the corresponding bit in the alarm filter is set.

Alarm Descriptors:

- The alarm descriptors have exactly the same structure of the alarm registers. Whenever a bit in the alarm registers changes from 0 to 1 then the corresponding bit in the alarm descriptor is set to 1. Resetting the alarm registers does not affect the alarm descriptors. The set bits of the alarm descriptor must be reset explicitly in order to acknowledge that the alarm has been correctly received.


PROVINCIAL ELECTRICITY AUTHORITY
ELECTRICAL AND MECHANICAL ENGINEERING DIVISION
ELECTRONIC ENERGY METERS WITH WIRELESS COMMUNICATION

Specification No.: RMTR-038/2564

Approved date: 19/01/2564

Rev. No.: 2

Form No. -

Page 7 of 8

4.3 Alarm clearance

When an event, which has not been filtered out occurs, an alarm is triggered. The alarm descriptors are held data notification which has been configured via the alarm monitors. To acknowledge the reception of an alarm, the appropriate bits in the alarm descriptors and the alarm registers must be to reset by Smart Device.

5. Power Quality Log

Typical purpose of power quality log is the reported of power quality log of electronic meter. The power quality log is modeled as Profile Generic Interface Class (class_id = 7). The parameters for Profile Generic IC are specified in **Table 9A**. The OBIS code of power quality log is 0-0:99.98.0.255. The capture objects are specified in **Table 10A** for 1-phase meters and in **Table 11A** for 3-phase meters.

Table 9A
Power Quality Log Parameters

Power Quality Log (OBIS code: 0-0:99.98.0.255)				Access Right	Remark
Attributes			Data type	MR	
1	logical_name	(static)	octet-string	R	
2	buffer	(dyn.)	array	R	
3	capture_objects	(static)	array	R	
4	capture_period	(static)	double-long-unsigned	R	
5	sort_method	(static)	enum	R	(1) FIFO
6	sort_object	(static)	capture_object_definition	R	0
7	entries_in_use	(dyn.)	double-long-unsigned	R	
8	profile_entries	(static)	double-long-unsigned	R	
Specific methods			m/o		
1	reset (data)		o		Use to clear power quality log
2	capture (data)		o		
3	reserved from previous versions		o		
4	reserved from previous versions		o		

Table 10A
1-Phase Meters Capture Objects

Parameter	OBIS code						Detail	scal_unit_type		Data Type	IC	Attr.
	A	B	C	D	E	F		scaler	unit			
Clock object	0	0	1	0	0	255	Time stamp using system clock			octet-string [9]	8	2
Event Object – Power Quality Log	0	0	96	11	0	255	Event Object – Power Quality Log			unsigned [17]	1	2
Instantaneous Voltage	1	0	12	7	0	255	Voltage; any phase; Inst. value	-2	V [35]	long_unsigned [18]	3	2



การไฟฟ้าส่วนภูมิภาค
PROVINCIAL ELECTRICITY AUTHORITY

PROVINCIAL ELECTRICITY AUTHORITY

ELECTRICAL AND MECHANICAL ENGINEERING DIVISION

ELECTRONIC ENERGY METERS WITH WIRELESS COMMUNICATION

Specification No.: RMTR-038/2564

Approved date: 19/01/2564

Rev. No.: 2

Form No. -

Page 8 of 8

Table 11A

3-Phase Meters Capture Objects

Parameter	OBIS code						Detail	scal_unit_type		Data Type	IC	Attr.
	A	B	C	D	E	F		scaler	unit			
Clock object	0	0	1	0	0	255	Time stamp using system clock			octet-string [9]	8	2
Event Object – Power Quality Log	0	0	96	11	0	255	Event Object – Power Quality Log			unsigned [17]	1	2
Instantaneous Voltage phase 1	1	0	32	7	0	255	L1 Voltage; Inst. value	-2	V [35]	long_unsigned [18]	3	2
Instantaneous Voltage phase 2	1	0	52	7	0	255	L2 Voltage; Inst. value	-2	V [35]	long_unsigned [18]	3	2
Instantaneous Voltage phase 3	1	0	72	7	0	255	L3 Voltage; Inst. value	-2	V [35]	long_unsigned [18]	3	2

6. Access Right

The **Table 12A** is describes the access right for both 1-phase and 3-phase energy meter.

Table 12A

The access right

Access Right Definitions		Detail
MR	Meter Reader	Contexts with Low Level Security (low level security)

7. Bluetooth Communication Profile

Bluetooth version: 4.2, or later version

Bluetooth profile: Generic Attribute Profile (GATT)



การไฟฟ้าส่วนภูมิภาค
PROVINCIAL ELECTRICITY AUTHORITY

PROVINCIAL ELECTRICITY AUTHORITY

ELECTRICAL AND MECHANICAL ENGINEERING DIVISION

ELECTRONIC ENERGY METERS WITH WIRELESS COMMUNICATION

Specification No.: RMTR-038/2564

Approved date: 19/01/2564

Rev. No.: 2

Form No. -

Page 1 of 3

ANNEX 2

Alarm register structure

1 Alarm register 1 structure

Table 1B

Alarm register 1 structure

Bit	Alarm Name	Triggering Event
0	Clock invalid	-
1	Reserved for future use	-
2	Reserved for future use	-
3	Reserved for future use	-
4	Reserved for future use	-
5	Reserved for future use	-
6	Reserved for future use	-
7	Reserved for future use	-
8	Program memory error	-
9	Reserved for future use	-
10	Reserved for future use	-
11	Reserved for future use	-
12	Reserved for future use	-
13	Tamper detection: Missing neutral detection (only for 1-phase meters)	-
14	Tamper detection: Phase and neutral interchange (only for 1-phase meters) (Phase and neutral interchange will be effective with bid invitation date from 1 st January 2022)	-
15	Tamper detection: Incoming and outgoing interchange detection (only for 3-phase meters)	-
16	Tamper detection: Terminal cover is opened (only for 3-phase meters)	-
17	Reserved for future use	-
18	Reserved for future use	-
19	Reserved for future use	-
20	Reserved for future use	-
21	Reserved for future use	-



การไฟฟ้าส่วนภูมิภาค
PROVINCIAL ELECTRICITY AUTHORITY

PROVINCIAL ELECTRICITY AUTHORITY

ELECTRICAL AND MECHANICAL ENGINEERING DIVISION

ELECTRONIC ENERGY METERS WITH WIRELESS COMMUNICATION

Specification No.: RMTR-038/2564

Approved date: 19/01/2564

Rev. No.: 2

Form No. -

Page 2 of 3

Bit	Alarm Name	Triggering Event
22	Reserved for future use	-
23	Reserved for future use	-
24	Reserved for future use	-
25	Reserved for future use	-
26	Reserved for future use	-
27	Reserved for future use	-
28	Reserved for future use	-
29	Reserved for future use	-
30	Reserved for future use	-
31	Reserved for future use	-

2 Alarm register 2 structure

Table 2B

Alarm register 2 structure

Bit	Alarm Name	Triggering Event
0	Total Power Failure	-
1	Power Resume (all phases)	-
2	Voltage Missing Phase L1	-
3	Voltage Missing Phase L2 (only for 3-phase meters)	-
4	Voltage Missing Phase L3 (only for 3-phase meters)	-
5	Voltage Normal Phase L1	-
6	Voltage Normal Phase L2 (only for 3-phase meters)	-
7	Voltage Normal Phase L3 (only for 3-phase meters)	-
8	Reserved for future use	-
9	Reserved for future use	-
10	Current Reversal	-
11	Wrong Phase Sequence (only for 3-phase meters)	-
12	Reserved for future use	-



การไฟฟ้าส่วนภูมิภาค
PROVINCIAL ELECTRICITY AUTHORITY

PROVINCIAL ELECTRICITY AUTHORITY

ELECTRICAL AND MECHANICAL ENGINEERING DIVISION

ELECTRONIC ENERGY METERS WITH WIRELESS COMMUNICATION

Specification No.: RMTR-038/2564

Approved date: 19/01/2564

Rev. No.: 2

Form No. -

Page 3 of 3

Bit	Alarm Name	Triggering Event
13	Reserved for future use	-
14	Bad Voltage Quality L1	PQ 202
15	Bad Voltage Quality L2 (only for 3-phase meters)	PQ 203
16	Bad Voltage Quality L3 (only for 3-phase meters)	PQ 204
17	Reserved for future use	-
18	Local communication attempt (during attempt to connect)	-
19	Reserved for future use	-
20	Reserved for future use	-
21	Reserved for future use	-
22	Reserved for future use	-
23	Reserved for future use	-
24	Reserved for future use	-
25	Reserved for future use	-
26	Reserved for future use	-
27	Reserved for future use	-
28	Reserved for future use	-
29	Reserved for future use	-
30	Reserved for future use	-
31	Reserved for future use	-



การไฟฟ้าส่วนภูมิภาค
PROVINCIAL ELECTRICITY AUTHORITY

PROVINCIAL ELECTRICITY AUTHORITY

ELECTRICAL AND MECHANICAL ENGINEERING DIVISION

ELECTRONIC ENERGY METERS WITH WIRELESS COMMUNICATION

Specification No.: RMTR-038/2564

Approved date: 19/01/2564

Rev. No.: 2

Form No. -

Page 1 of 2

ANNEX 3

Event code

1 Overview

The managed events are dispatched in different logs depending on the kind of event occurred. These logs are Power Quality log. The logbook only records events belonging to its category, such a way that event IDs have to be categorized by the logbook they belong to.

2 Power Quality events

The following event_ID belong to the Power Quality logs

Table 1C

Power Quality Logs Event Table

No	Name	Description	PQ Log
1	Reserved for future use		
...	Reserved for future use		
84	Reserved for future use		
85	Voltage L1 normal	Indicates that the mains voltage is in normal limits (230/400 ± 10 % V) again, e.g. after under/overvoltage.	x
86	Voltage L2 normal (only for 3-phase meters)	Indicates that the mains voltage is in normal limits (230/400 ± 10 % V) again, e.g. after under/overvoltage.	x
87	Voltage L3 normal (only for 3-phase meters)	Indicates that the mains voltage is in normal limits (230/400 ± 10 % V) again, e.g. after under/overvoltage.	x
88	Reserved for future use		
...	Reserved for future use		
201	Reserved for future use		
202	Under Voltage of L1	The voltage is lower than the normal operating voltage of the meter, according to 1c.5.5 Over and under voltage detection.	x
203	Under Voltage of L2 (only for 3-phase meters)	The voltage is lower than the normal operating voltage of the meter, according to 1c.5.5 Over and under voltage detection.	x
204	Under Voltage of L3 (only for 3-phase meters)	The voltage is lower than the normal operating voltage of the meter, according to 1c.5.5 Over and under voltage detection.	x



การไฟฟ้าส่วนภูมิภาค
PROVINCIAL ELECTRICITY AUTHORITY

PROVINCIAL ELECTRICITY AUTHORITY

ELECTRICAL AND MECHANICAL ENGINEERING DIVISION

ELECTRONIC ENERGY METERS WITH WIRELESS COMMUNICATION

Specification No.: RMTR-038/2564

Approved date: 19/01/2564

Rev. No.: 2

Form No. -

Page 2 of 2

No	Name	Description	PQ Log
205	<i>manufacturer specific</i>		
...	<i>manufacturer specific</i>		
208	<i>manufacturer specific</i>		
209	Over Voltage of L1	The voltage is over than the normal operating voltage of the meter, according to 1c.5.5 Over and under voltage detection.	x
210	Over Voltage of L2 (only for 3-phase meters)	The voltage is over than the normal operating voltage of the meter, according to 1c.5.5 Over and under voltage detection.	x
211	Over Voltage of L3 (only for 3-phase meters)	The voltage is over than the normal operating voltage of the meter, according to 1c.5.5 Over and under voltage detection.	x
212	<i>manufacturer specific</i>		
...	<i>manufacturer specific</i>		
253	<i>manufacturer specific</i>		
254	Load profile cleared	Any of the profiles cleared. NOTE: If it appears in Standard Event Log then any of the E-load profiles was cleared. If the event appears in the M-Bus Event log then one of the MBus load profiles was cleared	
255	Event log cleared	Indicates that the event log was cleared. This is always the first entry in an event log. It is only stored in the affected event log.	x



การไฟฟ้าส่วนภูมิภาค
PROVINCIAL ELECTRICITY AUTHORITY

PROVINCIAL ELECTRICITY AUTHORITY

ELECTRICAL AND MECHANICAL ENGINEERING DIVISION

ELECTRONIC ENERGY METERS WITH WIRELESS COMMUNICATION

Specification No.: RMTR-038/2564

Approved date: 19/01/2564

Rev. No.: 2

Form No. -

Page 1 of 5

เอกสารเพิ่มเติมแนบท้ายรายละเอียดสเปค 1

(ADDENDUM 1)

เอกสารเพิ่มเติม (ADDENDUM) นี้ถือให้เป็นส่วนหนึ่งของรายละเอียดสเปคอ้างอิงเลขที่ RMTR-038/2564

แผนและวิธีการชักตัวอย่าง โดยระบุขีดจำกัดคุณภาพที่ยอมรับ ตามมาตรฐานผลิตภัณฑ์อุตสาหกรรม มาตรฐาน เลขที่ มอก. 465 – 2554 หรือ IEC 62058-11/2010 Part 11: General acceptance inspection methods เพื่อใช้สำหรับการพิจารณาผลการตรวจรับ

1. แผนการชักตัวอย่าง และขนาดของกลุ่มตัวอย่าง

1.1 ระดับคุณภาพที่ยอมรับ (Acceptance Quality Level: AQL) กำหนดให้เป็นร้อยละ 1.0

1.2 กรณีผู้ประกอบการภายในประเทศ จะดำเนินการชักตัวอย่างโดยใช้แบบแผนการชักตัวอย่างแบบ Double sampling ตามตารางที่ 1

1.3 กรณีผู้ประกอบการต่างประเทศ จะดำเนินการชักตัวอย่างโดยใช้แบบแผนการชักตัวอย่างแบบ Single sampling ตามตารางที่ 2

2. การสุ่มตัวอย่าง และเกณฑ์การตัดสินใจ

2.1 การสุ่มตัวอย่างจะใช้วิธีการทางสถิติ (Simple random sampling) และทำการทดสอบตามข้อ 4.1

2.2 กรณีผู้ประกอบการภายในประเทศ มีวิธีการสุ่มตัวอย่างและเกณฑ์การตัดสินใจตามรูปที่ 1

2.2.1 การสุ่มตัวอย่างครั้งที่ 1 จะดำเนินการสุ่มตัวอย่างที่โรงงานผู้ผลิต โดยผู้ประกอบการต้องจัดวางมิเตอร์ให้สามารถนำมิเตอร์ที่ได้จากการสุ่มมาทดสอบเพื่อการตรวจรับได้โดยง่าย

2.2.2 การสุ่มตัวอย่างครั้งที่ 2 จะดำเนินการสุ่มตัวอย่าง กคพ.3 รังสิต ปทุมธานี

ตารางที่ 1 การชักตัวอย่างแบบแผน Double sampling (Normal Inspection)

จำนวนมิเตอร์ ต่อ Lot	Sample	ปริมาณ Sample (n ₁ , n ₂)	รวมจำนวน	Acceptance number (Ac ₁ , Ac ₂)	Rejection number (Re ₁ , Re ₂)
≤280	1 st	32	32	0	2
	2 nd	32	64	1	2
281 – 500	1 st	50	50	0	3
	2 nd	50	100	3	4
501 – 1200	1 st	80	80	1	3
	2 nd	80	160	4	5
≥1201	1 st	125	125	2	5
	2 nd	125	250	6	7

หมายเหตุ

Ac₁ = Acceptance number Sample ครั้งที่ 1

Ac₂ = Acceptance number Sample ครั้งที่ 2

n₁ = จำนวนตัวอย่างครั้งที่ 1

Re₁ = Rejection number Sample ครั้งที่ 1

Re₂ = Rejection number Sample ครั้งที่ 2

n₂ = จำนวนตัวอย่างครั้งที่ 2



การไฟฟ้าส่วนภูมิภาค
PROVINCIAL ELECTRICITY AUTHORITY

PROVINCIAL ELECTRICITY AUTHORITY

ELECTRICAL AND MECHANICAL ENGINEERING DIVISION

ELECTRONIC ENERGY METERS WITH WIRELESS COMMUNICATION

Specification No.: RMTR-038/2564

Approved date: 19/01/2564

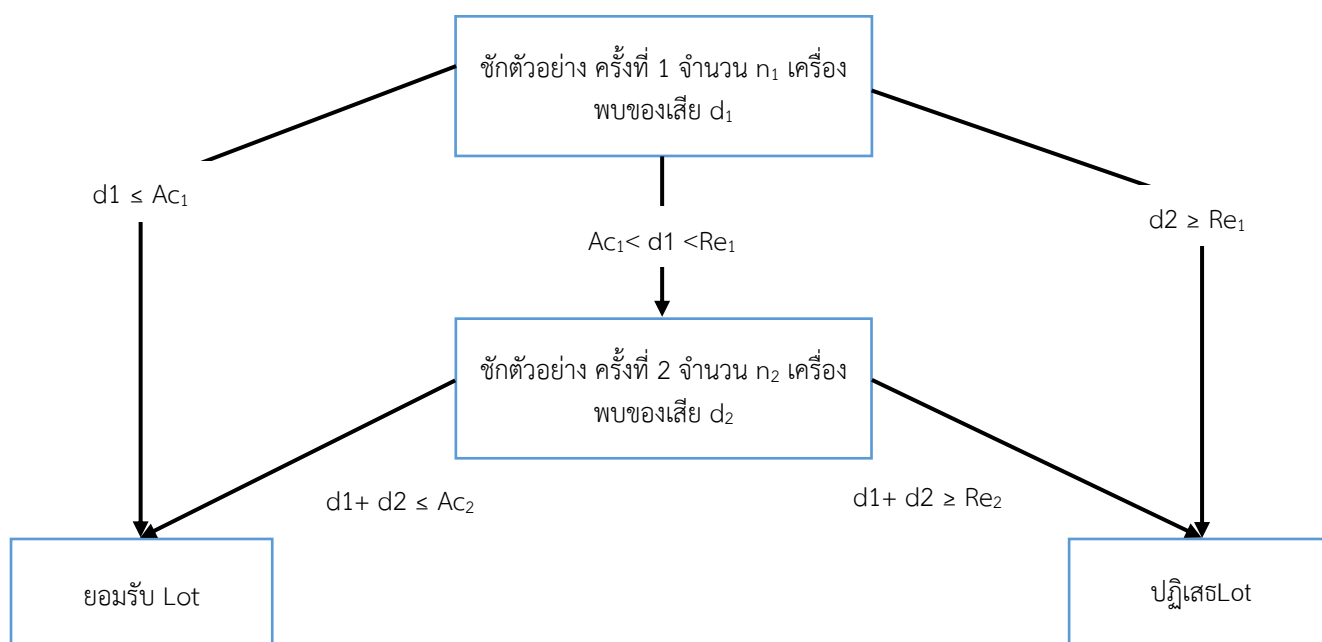
Rev. No.: 2

Form No. -

Page 2 of 5

ตารางที่ 2 การชักตัวอย่างแบบแผน Single sampling (Normal Inspection)

จำนวนมิเตอร์ต่อ Lot	ปริมาณ Sample (n)	Acceptance number (Ac)	Rejection number (Re)
≤ 90	20	0	1
91 – 150	32	1	2
151 – 280	50	1	2
281 – 500	80	2	3
501 – 1200	125	3	4
≥ 1201	200	5	6



รูปที่ 1 วิธีการสุ่มตัวอย่างและเกณฑ์การตัดสินใจ กรณีผู้ประกอบการภายในประเทศ

(1) กรณีการสุ่มครั้งที่ 1

ในกรณีพบมิเตอร์ที่ไม่ผ่านคุณสมบัติตามเงื่อนไขที่ระบุในสเปค จำนวนน้อยกว่าหรือเท่ากับ Ac_1 เครื่อง ถือว่าผลการทดสอบเป็นที่ยอมรับได้ ไม่ต้องสุ่มตรวจรับในครั้งที่ 2 และผู้ประกอบการต้องดำเนินการแก้ไขพัสดุที่ไม่ผ่านการทดสอบให้ถูกต้องตามข้อกำหนดของ กฟภ.

ในกรณีพบมิเตอร์ที่ไม่ผ่านคุณสมบัติตามเงื่อนไขที่ระบุในสเปค จำนวนตั้งแต่ Ac_1 เครื่อง ขึ้นไปแต่ไม่เกิน Re_1 เครื่อง ให้ดำเนินการสุ่มต่อในครั้งที่ 2

ในกรณีพบมิเตอร์ที่ไม่ผ่านคุณสมบัติตามเงื่อนไขที่ระบุในสเปค จำนวนมากกว่าหรือเท่ากับ Re_1 เครื่อง จะไม่ผ่านการตรวจรับ และผู้ประกอบการต้องดำเนินการแก้ไขพัสดุใน Lot นั้นทั้งหมด รวมถึงหาข้อบกพร่องหรือสาเหตุที่ทำให้เกิดความผิดปกติ พร้อมดำเนินการปรับปรุงกระบวนการผลิต และยื่นรายงานผลการปรับปรุงกระบวนการผลิต และควบคุมคุณภาพให้ กฟภ. พร้อมการส่งมอบพัสดุที่ได้ปรับปรุงแก้ไขแล้ว และถือว่ารายงานนั้นเป็นส่วนหนึ่งในการพิจารณาผลการตรวจรับ โดยให้เริ่มกระบวนการตรวจรับและสุ่มทดสอบตั้งแต่ครั้งที่ 1



การไฟฟ้าส่วนภูมิภาค
PROVINCIAL ELECTRICITY AUTHORITY

PROVINCIAL ELECTRICITY AUTHORITY

ELECTRICAL AND MECHANICAL ENGINEERING DIVISION

ELECTRONIC ENERGY METERS WITH WIRELESS COMMUNICATION

Specification No.: RMTR-038/2564

Approved date: 19/01/2564

Rev. No.: 2

Form No. -

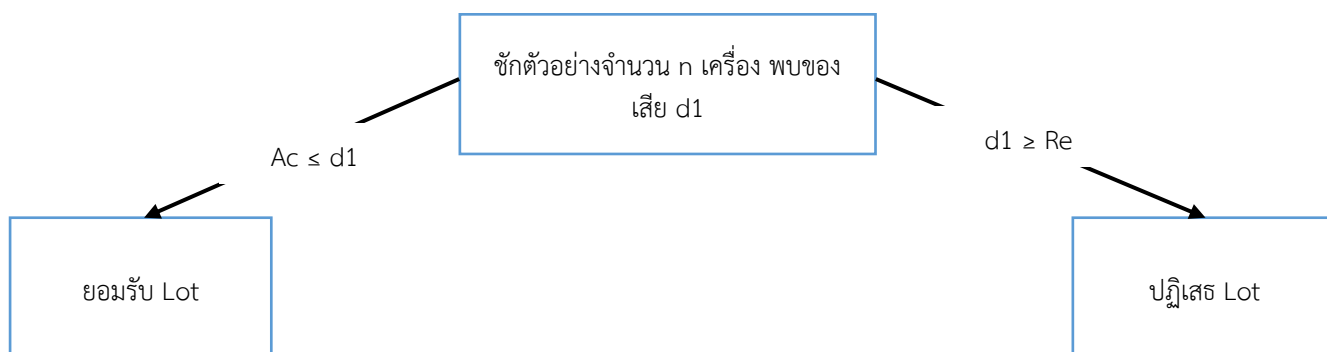
Page 3 of 5

(2) กรณีการสุ่มครั้งที่ 2

ในกรณีพบมิเตอร์ที่ไม่ผ่านคุณสมบัติตามเงื่อนไขที่ระบุในสเปค รวมกันในการสุ่มครั้งที่ 1 และครั้งที่ 2 เป็นจำนวนไม่เกิน Ac_2 เครื่อง ถือว่าผลการทดสอบเป็นที่ยอมรับได้ และผู้ประกอบการต้องดำเนินการแก้ไขพัสดุที่ไม่ผ่านการทดสอบให้ถูกต้องตามข้อกำหนดของ กฟภ.

ในกรณีพบมิเตอร์ที่ไม่ผ่านคุณสมบัติตามเงื่อนไขที่ระบุในสเปค รวมกันในการสุ่มครั้งที่ 1 และครั้งที่ 2 เป็นจำนวนมากกว่าหรือเท่ากับ Re_2 เครื่องขึ้นไป จะไม่ผ่านการตรวจรับ และผู้ประกอบการต้องดำเนินการแก้ไขพัสดุใน Lot นั้นทั้งหมด รวมถึงหาข้อบกพร่องหรือสาเหตุที่ทำให้เกิดความผิดปกติ พร้อมดำเนินการปรับปรุงกระบวนการผลิต และยื่นรายงานผลการปรับปรุงกระบวนการผลิต และควบคุมคุณภาพให้ กฟภ. พร้อมการส่งมอบพัสดุที่ได้ปรับปรุงแก้ไขแล้ว และถือว่ารายงานนั้นเป็นส่วนหนึ่งในการพิจารณาผลการตรวจรับ โดยให้เริ่มกระบวนการตรวจรับและสุ่มทดสอบตั้งแต่ครั้งที่ 1 ใหม่อีกครั้ง

2.3 กรณีผู้ประกอบการต่างประเทศ มีวิธีการสุ่มตัวอย่างและเกณฑ์การตัดสินตามรูปที่ 2



รูปที่ 2 วิธีการสุ่มตัวอย่างและเกณฑ์การตัดสินกรณีผู้ประกอบการต่างประเทศ

2.3.1 การสุ่มตัวอย่าง จะดำเนินการสุ่มตัวอย่างเพียงครั้งเดียวที่ กคพ.3 รังสิต ปทุมธานี หลังจากที่มีการรับฝากสินค้าจากผู้ประกอบการแล้ว

2.3.2 เกณฑ์การตัดสิน

ในกรณีพบมิเตอร์ที่ไม่ผ่านคุณสมบัติตามเงื่อนไขที่ระบุในสเปค จำนวนไม่เกิน Ac เครื่อง ถือว่าผลการทดสอบเป็นที่ยอมรับได้ และผู้ประกอบการต้องดำเนินการแก้ไขพัสดุที่ไม่ผ่านการทดสอบให้ถูกต้องตามข้อกำหนดของ กฟภ.

ในกรณีพบมิเตอร์ที่ไม่ผ่านคุณสมบัติตามเงื่อนไขที่ระบุในสเปค จำนวนตั้งแต่ Re เครื่องขึ้นไป จะไม่ผ่านการตรวจรับ และผู้ประกอบการต้องดำเนินการแก้ไขพัสดุใน Lot นั้นทั้งหมด รวมถึงหาข้อบกพร่องหรือสาเหตุที่ทำให้เกิดความผิดปกติ พร้อมดำเนินการปรับปรุงกระบวนการผลิต และยื่นรายงานผลการปรับปรุงกระบวนการผลิตและควบคุมคุณภาพให้ กฟภ. พร้อมการส่งมอบพัสดุที่ได้ปรับปรุงแก้ไขแล้ว และถือว่ารายงานนั้นเป็นส่วนหนึ่งในการพิจารณาผลการตรวจรับ โดยให้เริ่มกระบวนการตรวจรับและสุ่มทดสอบตั้งแต่ต้น

2.4 เฉพาะการตรวจรับมิเตอร์ Lot ที่ 1 กฟภ. จะทำการสุ่มมิเตอร์จำนวน 1 เครื่อง เพื่อทดสอบในหัวข้อ Tests of insulation properties, Tests for electromagnetic compatibility, Tests of the effect of the climatic environments และ Mechanical tests ตามข้อ 4.2 ทั้งกรณีผู้ประกอบการในประเทศ และผู้ประกอบการต่างประเทศ หากผลการทดสอบไม่ผ่าน กฟภ. จะถือว่าไม่ผ่านการตรวจรับ และผู้ประกอบการต้องดำเนินการแก้ไขพัสดุใน Lot นั้นทั้งหมด รวมถึงหาข้อบกพร่องหรือสาเหตุที่ทำให้เกิดความผิดปกติ พร้อมดำเนินการปรับปรุงกระบวนการผลิต และยื่นรายงานผลการปรับปรุงกระบวนการผลิต และควบคุมคุณภาพให้ กฟภ. พร้อมการส่งมอบพัสดุที่ได้ปรับปรุงแก้ไขแล้ว และถือว่ารายงานนั้นเป็นส่วนหนึ่งในการพิจารณาผลการตรวจรับ โดยให้เริ่มกระบวนการตรวจรับและสุ่มทดสอบตั้งแต่ต้น



การไฟฟ้าส่วนภูมิภาค
PROVINCIAL ELECTRICITY AUTHORITY

PROVINCIAL ELECTRICITY AUTHORITY

ELECTRICAL AND MECHANICAL ENGINEERING DIVISION

ELECTRONIC ENERGY METERS WITH WIRELESS COMMUNICATION

Specification No.: RMTR-038/2564

Approved date: 19/01/2564

Rev. No.: 2

Form No. -

Page 4 of 5

3. การควบคุมคุณภาพในการผลิต

3.1 ผู้ชนะในการเสนอราคาจะต้องจัดส่งเอกสารภายใน 15 วัน หลังจากลงนามในสัญญาฯ ประกอบด้วย:

3.1.1 แผนการผลิต

3.1.2 กระบวนการผลิตพร้อมแสดงเครื่องจักรและเครื่องมือที่ใช้ในการผลิต

3.1.3 การควบคุมคุณภาพและเอกสารแสดงวิธีการควบคุมคุณภาพ (Quality Control Process)

3.2 กฟภ. ขอสงวนสิทธิ์ในการเข้าตรวจสอบกระบวนการผลิตและการทดสอบที่เกี่ยวข้องได้ตลอดเวลา ในช่วงที่มีการผลิตพัสดุดังกล่าวตามสัญญา ซึ่ง กฟภ. หรือผู้แทนจะเข้าดำเนินการตรวจสอบ โดยมีรายละเอียดดังต่อไปนี้:

3.2.1 ตรวจสอบรายการวัตถุดิบที่ใช้ในการผลิต ให้เป็นไปตามเงื่อนไขในสัญญาฯ

3.2.2 ตรวจสอบขั้นตอนการผลิต และการควบคุมคุณภาพ ให้เป็นไปตามเอกสารระบบควบคุมคุณภาพ ISO/มอก. 9001 หรือ ISO 9001 ที่ผู้ผลิตได้รับการรับรองในปัจจุบัน

3.2.3 ตรวจสอบเครื่องมือและอุปกรณ์ทดสอบที่ใช้ในการผลิตและการควบคุมคุณภาพ

3.2.4 สุ่มตัวอย่างตามเงื่อนไขที่กำหนด เพื่อประกอบการตรวจรับ

ในการดำเนินการควบคุมคุณภาพ ณ โรงงานผู้ผลิต กฟภ. จะเป็นผู้รับผิดชอบค่าใช้จ่ายที่เกิดขึ้นใน ส่วนของ กฟภ. เอง เว้นแต่กรณีที่ กฟภ. หรือผู้แทนต้องเข้าดำเนินการควบคุมคุณภาพซ้ำอันเนื่องจากไม่ผ่าน เงื่อนไขตามสัญญาที่กำหนดไว้ หรือมีเหตุที่ทำให้ กฟภ. หรือผู้แทนเชื่อว่ายังไม่สามารถควบคุมคุณภาพเป็นไป ตามที่กำหนดได้ ผู้ขายต้องรับผิดชอบในค่าใช้จ่ายที่เกิดขึ้นทั้งหมด

3.3 กรณีที่พิสูจน์ได้ว่าผู้ผลิตไม่ปฏิบัติตามเงื่อนไขการควบคุมคุณภาพในการผลิต จะถือว่าพัสดุดังกล่าวไม่ผ่านการตรวจรับ และให้คณะกรรมการตรวจรับแจ้งผู้ผลิตเพื่อนำพัสดุดังกล่าวไปแก้ไขและปฏิบัติตาม เงื่อนไขการควบคุมคุณภาพในการผลิตต่อไป

4. การทดสอบเพื่อการตรวจรับ

4.1 หัวข้อการทดสอบ สำหรับกลุ่มตัวอย่างทุกเครื่อง มีหัวข้อการทดสอบตาม IEC 62058-31/2008 Part 31: Particular requirements for static meters for active energy (classes 0.2 S, 0.5 S, 1 and 2) ดังนี้:

(1) AC voltage tests

(2) Test of no-load condition

(3) Starting

(4) Accuracy Test

- 0.05Ib, p.f.1.0 Balanced phase

- Ib, p.f. 1.0 Balanced phase

- Ib, p.f. 0.5 Balanced phase

- Ib, p.f. 1.0 Unbalanced phase

- I_{max}, p.f. 1.0 Balanced phase

(5) Verification of the register

ทั้งนี้ กฟภ. จะเป็นผู้ดำเนินการทดสอบที่ กองมิเตอร์ หรือโรงงานผู้ผลิต โดยไม่คิดค่าใช้จ่ายในการ

ทดสอบ



การไฟฟ้าส่วนภูมิภาค
PROVINCIAL ELECTRICITY AUTHORITY

PROVINCIAL ELECTRICITY AUTHORITY

ELECTRICAL AND MECHANICAL ENGINEERING DIVISION

ELECTRONIC ENERGY METERS WITH WIRELESS COMMUNICATION

Specification No.: RMTR-038/2564

Approved date: 19/01/2564

Rev. No.: 2

Form No. -

Page 5 of 5

4.2 หัวข้อการทดสอบ สำหรับกลุ่มตัวอย่างจำนวน 10 เครื่อง ทดสอบหัวข้อย่อยละ 1 เครื่อง ยกเว้น หัวข้อย่อยที่ 4.2.4 ทดสอบ 3 เครื่อง โดยจะทำการทดสอบในงวด (Lot) การส่งครั้งที่ 1 มีหัวข้อการทดสอบดังนี้:

4.2.1) Tests of insulation properties

(1) Impulse voltage tests

4.2.2) Tests of the effect of the climatic environments

(1) Dry heat test

(2) Cold test

(3) Damp heat, cyclic test

(4) Solar radiation test

4.2.3) Mechanical tests

(1) Vibration test

(2) Shock test

4.2.4) Bluetooth communication between meters and PEA's Mobile Application

โดย กฟภ. จะทดสอบตามรายละเอียดสเปคที่ระบุไว้ใน “ANNEX 1”, “Bluetooth Meter Application Interface – Spot Billing Application” และ “Test procedure of the compatibility of meters and Bluetooth Meter Application Interface – Spot Billing Application” ตามเอกสารเพิ่มเติมแนบท้าย รายละเอียดสเปค 3 (ADDENDUM 3) และเอกสารเพิ่มเติมแนบท้ายรายละเอียดสเปค 4 (ADDENDUM 4)

ทั้งนี้ กฟภ. จะเป็นผู้ดำเนินการสุ่มตัวอย่าง และให้ผู้ขายส่งตัวอย่างให้หน่วยทดสอบภายนอกที่ กฟภ. ยอมรับเป็นผู้ดำเนินการทดสอบ โดยผู้ขายต้องเป็นผู้รับผิดชอบค่าใช้จ่ายในการทดสอบทั้งหมด เมื่อทดสอบแล้วเสร็จ ให้ผู้ขายส่งผลทดสอบให้ กฟภ. เพื่อใช้ประกอบการตรวจรับต่อไป



การไฟฟ้าส่วนภูมิภาค
PROVINCIAL ELECTRICITY AUTHORITY

PROVINCIAL ELECTRICITY AUTHORITY

ELECTRICAL AND MECHANICAL ENGINEERING DIVISION

ELECTRONIC ENERGY METERS WITH WIRELESS COMMUNICATION

Specification No.: RMTR-038/2564

Approved date: 19/01/2564

Rev. No.: 2

Form No. -

Page 1 of 1

เอกสารเพิ่มเติมแนบท้ายรายละเอียดสเปค 2 (ADDENDUM 2)

เอกสารเพิ่มเติม (ADDENDUM) นี้ถือให้เป็นส่วนหนึ่งของรายละเอียดสเปคอ้างอิงเลขที่ RMTR-038/2564

ผู้ยื่นข้อเสนอจะต้องยื่นเอกสารทางเทคนิคในวันเสนอราคา และผ่านการทดสอบดังนี้:

1. รายงานผลการทดสอบเฉพาะแบบ (Type test reports) ของมิเตอร์อิเล็กทรอนิกส์ ที่มีจำนวนเฟส และพิกัดกระแสตรงกับมิเตอร์ฯ ที่จะจัดซื้อ โดยการไฟฟ้าส่วนภูมิภาคจะยอมรับรายงานผลการทดสอบฯ ของมิเตอร์ฯ ทั้งชนิดที่มีระบบสื่อสาร หรือไม่มีระบบสื่อสาร
2. ผู้ยื่นข้อเสนอจะต้องส่งตัวอย่างมิเตอร์ฯ ตามที่กำหนดในหัวข้อ **1c.15 Samples** ที่มีระบบสื่อสารชนิด Bluetooth จำนวน 3 (สาม) เครื่อง โดยมิเตอร์จะต้องมีจำนวนเฟส และพิกัดกระแสตรงกับมิเตอร์ฯ ที่จะจัดซื้อ ให้คณะกรรมการพิจารณา ภายใน 5 วันทำการ นับถัดจากวันเสนอราคา เพื่อทำการทดสอบมิเตอร์ฯ พร้อมระบบสื่อสารชนิด Bluetooth ระหว่างมิเตอร์ฯ และ PEA's Mobile application (ถ้ามี) หรือ Mobile application ของผู้ยื่นข้อเสนอ
3. ในกรณีผู้ยื่นข้อเสนอไม่ยื่นเอกสารทางเทคนิคตามข้อ 1. หรือไม่จัดส่งตัวอย่างมิเตอร์ฯ ตามข้อ 2. จะถือว่าไม่ผ่านการพิจารณา

คู่สัญญาจะต้องยื่นเอกสารทางเทคนิคและผ่านการทดสอบก่อนส่งมอบมิเตอร์ฯ ให้การไฟฟ้าส่วนภูมิภาค ดังนี้:

1. รายงานผลการทดสอบเฉพาะแบบ (Type test reports) ของมิเตอร์อิเล็กทรอนิกส์ โดยการไฟฟ้าส่วนภูมิภาค จะยอมรับรายงานผลการทดสอบฯ ของมิเตอร์ฯ เฉพาะมิเตอร์ฯ ที่เป็นรุ่นเดียวกับที่การไฟฟ้าส่วนภูมิภาคจัดซื้อ พร้อมระบบสื่อสารชนิด Bluetooth ตามที่ระบุไว้ในรายละเอียดสเปคเท่านั้น
2. คู่สัญญาจะต้องส่งตัวอย่างมิเตอร์ฯ ที่มีระบบสื่อสารชนิด Bluetooth จำนวน 1 (หนึ่ง) เครื่อง ให้คณะกรรมการตรวจรับพัสดุ เพื่อทำการทดสอบมิเตอร์ฯ พร้อมระบบสื่อสารชนิด Bluetooth ระหว่างมิเตอร์ฯ และ PEA's Mobile application
3. คู่สัญญาจะต้องยื่นเอกสารการรับรองตนเองของผู้ประกอบการ (Supplier's Declaration of Conformity: SDoC) ของเครื่องโทรคมนาคมและอุปกรณ์ที่ผ่านการตรวจสอบรับรองจากสำนักงานคณะกรรมการกิจการกระจายเสียง กิจการโทรทัศน์ และกิจการโทรคมนาคมแห่งชาติ (สำนักงาน กสทช.)



การไฟฟ้าส่วนภูมิภาค
PROVINCIAL ELECTRICITY AUTHORITY

PROVINCIAL ELECTRICITY AUTHORITY

ELECTRICAL AND MECHANICAL ENGINEERING DIVISION

ELECTRONIC ENERGY METERS WITH WIRELESS COMMUNICATION

Specification No.: RMTR-038/2564

Approved date: 19/01/2564

Rev. No.: 2

Form No. -

Page 1 of 1

เอกสารเพิ่มเติมแนบท้ายรายละเอียดสเปค 3

(ADDENDUM 3)

เอกสารเพิ่มเติม “Bluetooth Meter Application Interface – Spot Billing Application” นี้ถือให้เป็นส่วนหนึ่งของรายละเอียดสเปคอ้างอิงเลขที่ RMTR-038/2564

Bluetooth Meter Application Interface – Spot Billing Application

Version 1.0

Provincial Electricity Authority (PEA)

June 11, 2020

Abbreviation

BLE	Bluetooth Low Energy
PEA	Provincial Electricity Authority (PEA), Thailand
PEA App	Android based Mobile Application for Billing

Reference

[1] RMTR-038/2564

Table of Content

1	Introduction.....	4
2	System Overview	4
3	Use-Case Flow	5
4	Expected Average Response Time	5
5	Meter Reading Process	5
6	Association level	7
7	DLMS/Cosem Command Parameters	7
	7.1 Maximum Demand Reset	7
	7.1.1 Query from Client to Server	7
	7.1.2 Response from Server to Client	8
	7.1.3 Billing Profile Reading	9
	7.1.4 Device ID1 – Manufacturer Meter Serial Number.....	9
	7.1.5 Device ID2 - Bluetooth MAC ID	9
	7.2 Bluetooth- UUID	9
8	Others	10
9	Development Environment	10
10	JSON File Structure	10

1 Introduction

This document is aiming at providing the guideline for BLE meter application interface, in which the important objective is as follows.

1. To provide interfaces between PEA Meter-Reading-App and BLE meter for the effective data communication following the companion specification in the BLE Meter's TOR approved by PEA.
2. To provide the scope of work in the development of PEA Meter-Reading-App. The stakeholders of this document includes PEA, consultants, and meter manufacturers.

2 System Overview

Provincial Electricity Authority (PEA), Thailand, has been practicing a spot billing for generating the billing invoice to their consumer for electricity consumption. A meter reader, who is the subcontractor of PEA, uses a smart device such as a tablet or a smart phone to collect the energy consumption of consumer by going to a consumer home/premise one by one as planned in the meter reading route, reading the meter, printing the invoice, and handing it over to consumer.

Currently, for the existing electro-mechanical meters, the meter reader collects the cumulative energy register value manually by visual reading and manually keys in the reading data in PEA Application (PEA-App), which will interact with PEA's back office system, i.e. an E-Form System, to generate the bill. This bill is then printed by using a hand-held printer and handed-over to the consumer's mailbox.

PEA is now launching the new tender for the electronic meter with Bluetooth Low Energy (BLE) communication for locally wireless billing read. The BLE electronic meter is the electronic energy meter having an accuracy class 1 with the specification mentioned in the tender. This meter is equipped with the BLE communication technology for a short range communication that facilitate the locally automatic billing read wirelessly via the smart devices similarly to the aforementioned spot-billing process. It is crucial that the new application for Android smart devices, i.e. the current smart devices used by the PEA's subcontractor, shall be considered with a proper scope for system interface and billing read procedure. In addition, referred to the companion specification in the BLE Meter's TOR, the DLMS/COSEM protocol will be adopted in the implementation in this document.

3 Use-Case Flow

PEA App is an Android-based application that works as a front-end application with user-friendly graphical interfaces (GUI). PEA App mainly incorporates the important commands for spot billing, including a maximum demand reset, a billing profile retrieval, and an alarm descriptor reset. After successfully read the meter, the resulting billing data will be processed, and the bill will be generated sequentially.

4 Expected Average Response Time

As considered by averaging the response time of the group of meter with the population no more than 300 meters, the expected average response time for the entire spot-billing process, in which the workflow starts by initiating the meter reading via PEA App until the billing data is ready for invoicing at the database level, shall be no more than 30 seconds, excluding the delay or exception caused by the meter reader personnel.

5 Meter Reading Process

The meter reading process is depicted in Fig. 1.

sd PEAppSeqDiag

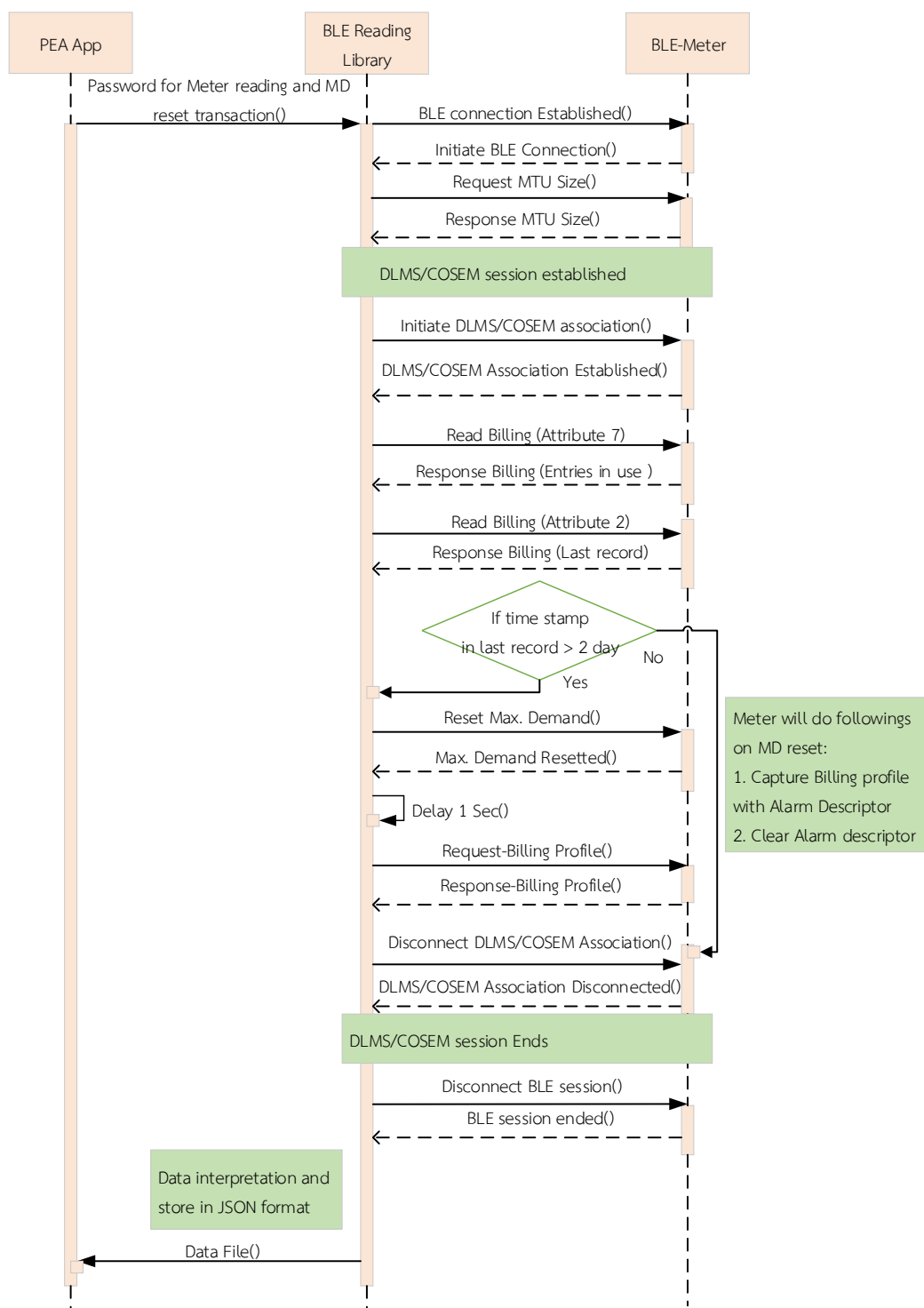


Figure 1. Meter reading process

6 Association level

	Group 2 (Meter Reader)- PEA Meter Reading Software/Application	Group 1 (Utility Setting)-Vendor Software/Application
SAP Address (Client , Server)	(32,1)	(48,1)
Application Context	LN Without Ciphering	Vendor-dependent
Sign-on Mechanism	Low level Security. password is the (visible) string "00454712"	Vendor-dependent
Services in conformance Block	Get, Action	Get , Set, Action
Features	Meter Reading MD reset	All transactions All Profile reading

7 DLMS/Cosem Command Parameters

7.1 Maximum Demand Reset

Interface Class	OBIS Code						Method	Script Identifier
9	0	0	10	0	1	255	1	1

Message exchange example

7.1.1 Query from Client to Server

7E A0 1C 03 41 32 6D D3 E6 E6 00 C3 01 C1 00 09 00 00 0A 00 01 FF 01 01 12 00 01 DF A2 7E

Data parsing of above query

7E A0 1C 03 41 32 6D D3 E6 E6	HDLC Frame wrapper
C3 01	Action-Normal
C1	Invoke ID and Priority
00 09	Script Class
00 00 0A 00 01 FF	MDI Reset - Script table
01	Method

01	Data optional -Yes
12 00 01	Script Number
DF A2 7E	HDLC Frame

7.1.2 Response from Server to Client

7E A0 11 41 03 52 FC FD E6 E7 00 C7 01 C1 00 00 FC B4 7E

Data parsing of above query

7E A0 11 41 03 52 FC FD E6 E7 00	HDLC Frame wrapper
C7 01	Action-Response-Normal
C1	Invoke ID and Priority
00	Data available
00	Result - Success
FC B4 7E	HDLC Frame

By having received a maximum demand reset command from the client, the server performs below actions.

1. It captures all the capture objects of billing profile with current values and updates Profile buffer.
2. It clears Alarm descriptor registers.
3. It reset Max. Demand kW.

Note: The above actions are implicit to meter; therefore, no script attribute reading/writing required to configure these actions.

The example script identifier 1 :

```

{
    {1,{
        {2,7,1-0:98.1.0.255,2,0},
        {2,4,1-0:1.6.0.255,1,0},
        {2,4,1-0:2.6.0.255,1,0},
        {1,1,0-0: 97.98.0.255,2,0},
        {1,1,0-0: 97.98.1.255,2,0},
        {1,1,0-0: 97.98.20.255,2,0},
        {1,1,0-0: 97.98.21.255,2,0}
    }}
}

```

7.1.3 Billing Profile Reading

Interface Class	OBIS Code						Attribute
7	1	0	98	1	0	255	2

7.1.4 Device ID1 – Manufacturer Meter Serial Number

Interface Class	OBIS Code						Attribute
1	0	0	96	1	0	255	2

7.1.5 Device ID2 - Bluetooth MAC ID

Interface Class	OBIS Code						Attribute
1	0	0	96	1	9	255	2

7.2 Bluetooth- UUID

The BLE electronic meter will perform as GATT server and support following services and characteristic UUIDs. UUIDs are customer-specific.

UUID Type	UUID	Remark
Service	b973f2e0-b19e-11e2-9e96-0800200c9a66	-
Characteristic	e973f2e2-b19e-11e2-9e96-0800200c9a66	Write – Transmit for App
Characteristic	d973f2e1-b19e-11e2-9e96-0800200c9a66	Notification – Receive for App

8 Others

MD reset, Alarm descriptor clearing and billing profile reading should be defined on same Association level: therefore, it will not only save association switching time but also single sign on password would be enough for BLE reading.

High level security should be defined for group 1 as critical transactions, including Time set, password change and reset registers, are defined with this group.

9 Development Environment

Item	Points
1	Bluetooth reading library will be for Android only on native platform
2	Development Language – JAVA
3	Library as *.aar file for incorporating in Build
4	Output Meter Data File – JSON file
5	Output data exchange log - txt file

10 JSON File Structure

Bluetooth Reading Library will prepare JSON output file which will have information about obis code and its values as shown below.

```
{
  "PEA_ID" : "2019112724",
  "MAC_Address" : "54:6C:0E:7A:EF:AF",
  "Meter_Type" : 1,
  "Clock" : "21-8-20 20:30:00",
  "Count" : 3,
  "kWh_Import" : 100,
  "kWh_Export" : 0,
  "kWh_abs" : 100,
  "kWh_net" : 100,
  "DemkW_Import" : 50.100,
  "DemkW_Export" : 0.000,
  "V_min" : 210.05 ,
  "Alarm1" : 9,
  "Alarm2" : 2
}
```



การไฟฟ้าส่วนภูมิภาค
PROVINCIAL ELECTRICITY AUTHORITY

PROVINCIAL ELECTRICITY AUTHORITY

ELECTRICAL AND MECHANICAL ENGINEERING DIVISION

ELECTRONIC ENERGY METERS WITH WIRELESS COMMUNICATION

Specification No.: RMTR-038/2564

Approved date: 19/01/2564

Rev. No.: 2

Form No. -

Page 1 of 1

เอกสารเพิ่มเติมแนบท้ายรายละเอียดสเปค 4

(ADDENDUM 4)

เอกสารเพิ่มเติม “Test procedure of the compatibility of meters and Bluetooth Meter Application Interface – Spot Billing Application” นี้ถือให้เป็นส่วนหนึ่งของรายละเอียดสเปคอ้างอิงเลขที่ RMTR-038/2564



กระบวนการทดสอบ

ความเข้ากันได้ของมิเตอร์ไฟฟ้าอิเล็กทรอนิกส์
และโปรแกรมประยุกต์

เสนอต่อ

การไฟฟ้าส่วนภูมิภาค

โดย

ศูนย์วิจัยเฉพาะทางระบบมิเตอร์ไฟฟ้าอัจฉริยะ (AMI)

มหาวิทยาลัยเทคโนโลยีพระจอมเกล้าพระนครเหนือ

สารบัญ

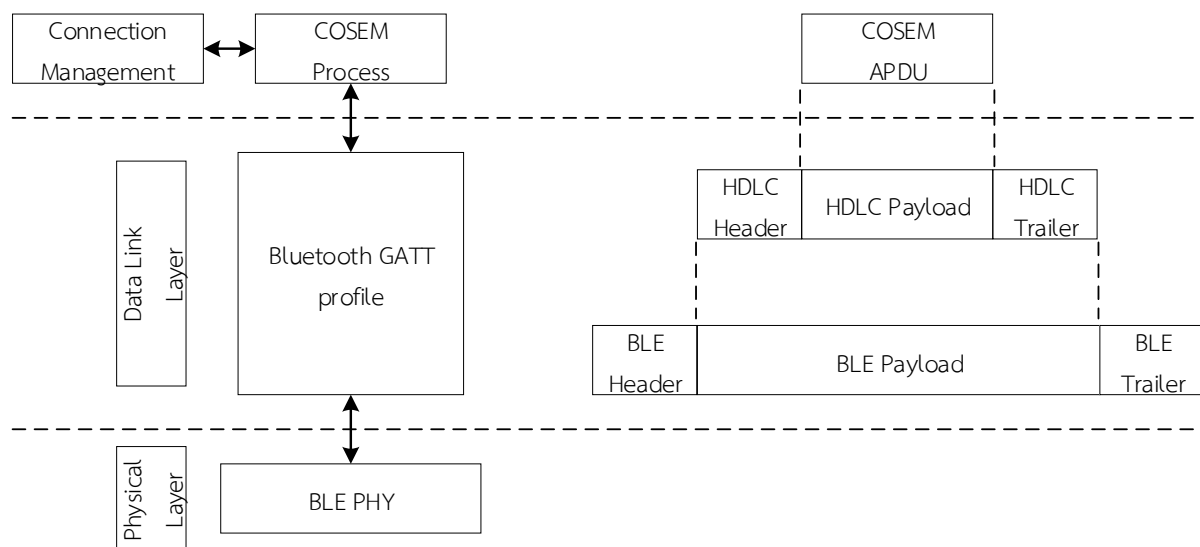
บทที่ 1 ประวัติการแก้ไขเอกสาร.....	3
บทที่ 2 บทนำ.....	3
บทที่ 3 เงื่อนไขการทดสอบ.....	4
บทที่ 4 วิธีการทดสอบและวิธีการวัดผลการทดสอบ.....	5
4.1 ทดสอบการเชื่อมต่อ (connect) และอ่านค่า (read) ของมิเตอร์ไฟฟ้าอิเล็กทรอนิกส์.....	5
4.2 ทดสอบการเชื่อมต่อกับโปรแกรมประยุกต์ที่ใช้สำหรับงานจดหน่วย	10
4.3 ทดสอบระยะเวลาการเชื่อมต่อและอ่านข้อมูล	14
4.4 ทดสอบระยะเวลาการเชื่อมต่อและอ่านข้อมูล	14
บทที่ 5 ขั้นตอนการทดสอบ	15
5.1 ขั้นตอนทดสอบการเชื่อมต่อ (connect) และอ่านค่า (read) ของมิเตอร์ไฟฟ้าอิเล็กทรอนิกส์	15
5.2 ขั้นตอนทดสอบการเชื่อมต่อกับโปรแกรมประยุกต์ที่ใช้สำหรับงานจดหน่วย	17
5.3 ขั้นตอนทดสอบระยะเวลาการเชื่อมต่อและอ่านข้อมูล	19
5.4 ขั้นตอนทดสอบระยะเวลาการเชื่อมต่อและอ่านข้อมูล	19
บทที่ 6 ระยะเวลาที่ใช้ทดสอบ	20
บทที่ 7 สภาพแวดล้อมในการทดสอบ	24
7.1 สถานที่ทดสอบ.....	24
7.2 ชุด Meter Test System	24
7.3 เครื่องสมาร์ตโฟนที่ใช้สำหรับติดตั้งโปรแกรมประยุกต์และทดสอบ.....	24

บทที่ 1 ประวัติการแก้ไขเอกสาร

เวอร์ชัน	วันที่	ส่วนที่แก้ไข/รายละเอียด	หน่วยงาน
1.0	1 ก.ย. 63	จัดทำครั้งแรก	ศูนย์วิจัยเฉพาะทางระบบ มิเตอร์ไฟฟ้าอัจฉริยะ (AMI)

บทที่ 2 บทนำ

กระบวนการทดสอบความเข้ากันได้ของมิเตอร์ไฟฟ้าอิเล็กทรอนิกส์ (Electronic Meters) ชนิด 1 เฟสและ 3 เฟส ขนาด 5(100) A ที่ติดต่อสื่อสารด้วยเทคโนโลยีบลูทูธเวอร์ชัน 4.2 หรือเวอร์ชันล่าสุดของบริษัทผู้ผลิตมิเตอร์หรือผู้ส่งทดสอบ กับโปรแกรมประยุกต์ (Mobile Application) ที่ติดตั้งในโทรศัพท์มือถือ (รองรับบลูทูธเวอร์ชัน 4.2 หรือเวอร์ชันล่าสุด) ที่ศูนย์วิจัยเฉพาะทางระบบมิเตอร์ไฟฟ้าอัจฉริยะ (AMI) พัฒนาขึ้น และโปรแกรมประยุกต์ของการไฟฟ้าส่วนภูมิภาคที่ใช้สำหรับจดหน่วย คือการทดสอบการอ่านค่า Billing, Load profile, Alarm, และ Power Quality ของมิเตอร์ไฟฟ้าอิเล็กทรอนิกส์ ด้วยโปรแกรมประยุกต์ที่ติดตั้งในโทรศัพท์มือถือผ่านบลูทูธเวอร์ชัน 4.2 หรือเวอร์ชันล่าสุด ภายใต้รูปแบบโปรโตคอล DLMS/COSEM (HDLC communication profile) ดังเอกสาร RMTR-038/2564



รูปที่ 3-1 HDLC communication profile

โดยความคาดหวังของกระบวนการทดสอบนี้ คือมิเตอร์ไฟฟ้าอิเล็กทรอนิกส์สามารถติดต่อสื่อสารกับโปรแกรมประยุกต์โดยมีการแสดงข้อมูลที่ครบถ้วน สมบูรณ์ และภายในระยะเวลาที่กำหนด

บทที่ 3 เงื่อนไขการทดสอบ

เงื่อนไขการทดสอบความเข้ากันได้ของมิเตอร์ไฟฟ้าอิเล็กทรอนิกส์ (Electronic Meters) ชนิด 1 เฟส และ 3 เฟส ขนาด 5(100) A ที่ติดต่อสื่อสารด้วยเทคโนโลยีบลูทูธเวอร์ชัน 4.2 หรือเวอร์ชันล่าสุดมีดังต่อไปนี้

1. ต้องมีตัวแทนของบริษัทผู้ผลิตมิเตอร์หรือผู้ส่งทดสอบ 1 คน ในระหว่างกระบวนการทดสอบทั้งหมด
2. ตัวแทนของบริษัทผู้ผลิตมิเตอร์หรือผู้ส่งทดสอบต้องนำเอกสารหรืออุปกรณ์ ดังต่อไปนี้มาในวันทดสอบ
 - 1) คู่มือการใช้งานมิเตอร์ไฟฟ้าอิเล็กทรอนิกส์ชนิด 1 เฟส และ 3 เฟส
 - 2) โปรแกรมประยุกต์ของบริษัทที่ส่งทดสอบที่ติดตั้งในสมาร์ตโฟนมาร่วมทดสอบ
 - 3) อนุญาตให้ใช้เครื่อง Notebook สำหรับโปรแกรมให้แก่มิเตอร์ไฟฟ้าอิเล็กทรอนิกส์ (ถ้ามี)
3. ตัวแทนของบริษัทผู้ผลิตมิเตอร์หรือผู้ส่งทดสอบต้องนำมิเตอร์ไฟฟ้าอิเล็กทรอนิกส์มาทดสอบ ดังต่อไปนี้
 - 1) มิเตอร์ไฟฟ้าอิเล็กทรอนิกส์ชนิด 1 เฟส ขนาด 5(100) A ที่แสดงผลในโหมด Group 1: Total Import kWh and Total Export kWh 1 เครื่อง
 - 2) มิเตอร์ไฟฟ้าอิเล็กทรอนิกส์ชนิด 1 เฟส ขนาด 5(100) A ที่แสดงผลในโหมด Group 2: Total Absolute kWh 1 เครื่อง
 - 3) มิเตอร์ไฟฟ้าอิเล็กทรอนิกส์ชนิด 1 เฟส ขนาด 5(100) A ที่แสดงผลในโหมด Group 3: Total Net kWh 1 เครื่อง
 - 4) มิเตอร์ไฟฟ้าอิเล็กทรอนิกส์ชนิด 3 เฟส ขนาด 5(100) A ที่แสดงผลในโหมด Group 1: Total Import kWh and Total Export kWh as well as Total Import kvarh and Total Export kvarh 1 เครื่อง
 - 5) มิเตอร์ไฟฟ้าอิเล็กทรอนิกส์ชนิด 3 เฟส ขนาด 5(100) A ที่แสดงผลในโหมด Group 2: Total Absolute kWh and Total Absolute kvarh 1 เครื่อง
 - 6) มิเตอร์ไฟฟ้าอิเล็กทรอนิกส์ชนิด 3 เฟส ขนาด 5(100) A ที่แสดงผลในโหมด Group 3: Total Net kWh and Total Net kvarh 1 เครื่อง
4. ระยะเวลาในการทดสอบ
 - 1) มิเตอร์ไฟฟ้าอิเล็กทรอนิกส์ชนิด 1 เฟส ขนาด 5(100) A ใช้เวลาทดสอบ 6 ชั่วโมง
 - 2) มิเตอร์ไฟฟ้าอิเล็กทรอนิกส์ชนิด 3 เฟส ขนาด 5(100) A ใช้เวลาทดสอบ 6 ชั่วโมง
5. ระยะเวลาการสรุปผลและออกรายงานภายใน 1 สัปดาห์หลังจากการทดสอบ

บทที่ 4 วิธีการทดสอบและวิธีการวัดผลการทดสอบ

4.1 ทดสอบการเชื่อมต่อ (connect) และอ่านค่า (read) ของมิเตอร์ไฟฟ้าอิเล็กทรอนิกส์

การตรวจสอบการเชื่อมต่อและอ่านค่าของมิเตอร์ไฟฟ้าอิเล็กทรอนิกส์ เป็นการทดสอบในชั้น Physical Layer เพื่อแสดงถึงความสามารถของมิเตอร์ไฟฟ้าอิเล็กทรอนิกส์ในการส่งสัญญาณ beacon กระจายออกไปในรัศมีทำการของสัญญาณบลูทูธ และโปรแกรมประยุกต์สามารถตรวจพบสัญญาณ beacon นี้ได้ และการทดสอบใน Data Link Layer เพื่อแสดงถึงความสามารถของมิเตอร์ไฟฟ้าอิเล็กทรอนิกส์ในการอ่านค่า Billing, Load profile, Alarm, และ Power Quality กับโปรแกรมประยุกต์ที่ศูนย์วิจัยเฉพาะทางระบบมิเตอร์ไฟฟ้าอัจฉริยะ (AMI) พัฒนาขึ้น ดังแสดงในตารางที่ 4-1 เมื่อโปรแกรมประยุกต์สามารถเชื่อมต่อกับมิเตอร์ไฟฟ้าอิเล็กทรอนิกส์ได้แล้ว โปรแกรมประยุกต์จะทำการอ่านค่า Billing, Load profile, Alarm, และ Power Quality โดยรูปแบบข้อมูลที่มีการรับ/ส่งระหว่างมิเตอร์ไฟฟ้าอิเล็กทรอนิกส์กับโปรแกรมประยุกต์จะอยู่ในรูปแบบ DLMS/COSEM (HDLC communication profile)



รูปที่ 4-1 Meter Test Equipment สำหรับจ่ายแรงดันและกระแสทำงานให้แก่มิเตอร์ไฟฟ้าอิเล็กทรอนิกส์

ตารางที่ 4-1 วิธีการทดสอบการเชื่อมต่อ (connect) และอ่านค่า (read)

ข้อที่	เงื่อนไขการทดสอบ	พิกัดที่กำหนด	ผลการทดสอบ
1	จ่ายไฟให้แก่มิเตอร์ไฟฟ้าอิเล็กทรอนิกส์ชนิด 1 เฟส หรือ 3 เฟส ขนาด 5(100) A พร้อมกันทั้ง 3 เครื่อง ให้อยู่ในสถานะทำงาน และแสดงค่า Display testing เสร็จสิ้น	230±10% VAC (สำหรับมิเตอร์ฯ ชนิด 1 เฟส) และ 230/400±10% VAC (สำหรับมิเตอร์ฯ ชนิด 3 เฟส)	-
2	ใช้โปรแกรมประยุกต์ของทีมวิจัยและโปรแกรมประยุกต์ของบริษัทที่ส่งทดสอบ ทดสอบการเชื่อมต่อ (connect), อ่านค่า Parameter, Reset parameter, Capture billing profile with alarm decriptor รวมทั้ง Clear alarm descriptor ดังรูปที่ 4-3 ก่อนทำการจ่ายกระแส	-	อ่านค่าได้สำเร็จ/ ไม่สามารถอ่านค่า ได้สำเร็จ

ข้อที่	เงื่อนไขการทดสอบ	พิกัดที่กำหนด	ผลการทดสอบ
3	ทำการจดบันทึกค่าที่แสดงบนหน้าจอของมิเตอร์ไฟฟ้าอิเล็กทรอนิกส์ ดังตารางที่ 4-2 ก่อนการทดสอบจ่ายกระแส สำหรับมิเตอร์ไฟฟ้าอิเล็กทรอนิกส์ชนิด 1 เฟส และตารางที่ 4-3 สำหรับมิเตอร์ไฟฟ้าอิเล็กทรอนิกส์ชนิด 3 เฟส	-	ค่าที่อ่านได้จากหน้าจอเทียบกับค่าที่อ่านได้จากโปรแกรมประยุกต์
4	จ่ายกระแส (<i>Active energy import</i>) ให้แก่มิเตอร์ไฟฟ้าอิเล็กทรอนิกส์เป็นระยะเวลา 15 นาทีเพื่อทดสอบ Billing และ Load Profile	230±10% VAC, 17.4 A (สำหรับมิเตอร์ฯ ชนิด 1 เฟส) และ 230/400±10% VAC, 17.4 A (สำหรับมิเตอร์ฯ ชนิด 3 เฟส)	-
5	ปรับค่าการจ่ายกระแสให้แก่มิเตอร์ไฟฟ้าอิเล็กทรอนิกส์เป็นระยะเวลา 15 นาทีเพื่อทดสอบ Maximum demand kW	230±10% VAC, 34.8 A (สำหรับมิเตอร์ฯ ชนิด 1 เฟส) และ 230/400±10% VAC, 34.8 A (สำหรับมิเตอร์ฯ ชนิด 3 เฟส)	-
6	ปรับค่าการจ่ายกระแสให้แก่มิเตอร์ไฟฟ้าอิเล็กทรอนิกส์เป็นระยะเวลา 15 นาทีเพื่อทดสอบ Billing และ Load Profile	230±10% VAC, 17.4 A (สำหรับมิเตอร์ฯ ชนิด 1 เฟส) และ 230/400±10% VAC, 17.4 A (สำหรับมิเตอร์ฯ ชนิด 3 เฟส)	-
7	จ่ายกระแส (<i>Active energy export</i>) ให้แก่มิเตอร์ไฟฟ้าอิเล็กทรอนิกส์เป็นระยะเวลา 15 นาทีเพื่อทดสอบ Billing และ Load Profile	230±10% VAC, 17.4 A (สำหรับมิเตอร์ฯ ชนิด 1 เฟส) และ 230/400±10% VAC, 17.4 A (สำหรับมิเตอร์ฯ ชนิด 3 เฟส)	-
8	ปรับค่าการจ่ายกระแสให้แก่มิเตอร์ไฟฟ้าอิเล็กทรอนิกส์เป็นระยะเวลา 15 นาทีเพื่อทดสอบ Maximum demand kW	230±10% VAC, 34.8 A (สำหรับมิเตอร์ฯ ชนิด 1 เฟส) และ 230/400±10% VAC, 34.8 A (สำหรับมิเตอร์ฯ ชนิด 3 เฟส)	-
9	ปรับค่าการจ่ายกระแสให้แก่มิเตอร์ไฟฟ้าอิเล็กทรอนิกส์เป็นระยะเวลา 15 นาทีเพื่อทดสอบ Billing และ Load Profile	230±10% VAC, 17.4 A (สำหรับมิเตอร์ฯ ชนิด 1 เฟส) และ 230/400±10% VAC, 17.4 A (สำหรับมิเตอร์ฯ ชนิด 3 เฟส)	-
10	จ่ายกระแส (<i>Reactive energy import</i>) ให้แก่มิเตอร์ไฟฟ้าอิเล็กทรอนิกส์เป็นระยะเวลา 15 นาทีเพื่อทดสอบ Billing และ Load Profile	230±10% VAC, 17.4 A (สำหรับมิเตอร์ฯ ชนิด 1 เฟส) และ 230/400±10% VAC, 17.4 A (สำหรับมิเตอร์ฯ ชนิด 3 เฟส)	-

ข้อที่	เงื่อนไขการทดสอบ	พิกัดที่กำหนด	ผลการทดสอบ
11	ปรับค่าการจ่ายกระแสให้แก่มิเตอร์ไฟฟ้าอิเล็กทรอนิกส์เป็นระยะเวลา 15 นาทีเพื่อทดสอบ Maximum demand kvar	230±10% VAC, 34.8 A (สำหรับมิเตอร์ฯ ชนิด 1 เฟส) และ 230/400±10% VAC, 34.8 A (สำหรับมิเตอร์ฯ ชนิด 3 เฟส)	-
12	ปรับค่าการจ่ายกระแสให้แก่มิเตอร์ไฟฟ้าอิเล็กทรอนิกส์เป็นระยะเวลา 15 นาทีเพื่อทดสอบ Billing และ Load Profile	230±10% VAC, 17.4 A (สำหรับมิเตอร์ฯ ชนิด 1 เฟส) และ 230/400±10% VAC, 17.4 A (สำหรับมิเตอร์ฯ ชนิด 3 เฟส)	-
13	จ่ายกระแส (<i>Reactive energy export</i>) ให้แก่มิเตอร์ไฟฟ้าอิเล็กทรอนิกส์เป็นระยะเวลา 15 นาทีเพื่อทดสอบ Billing และ Load Profile	230±10% VAC, 17.4 A (สำหรับมิเตอร์ฯ ชนิด 1 เฟส) และ 230/400±10% VAC, 17.4 A (สำหรับมิเตอร์ฯ ชนิด 3 เฟส)	-
14	ปรับค่าการจ่ายกระแสให้แก่มิเตอร์ไฟฟ้าอิเล็กทรอนิกส์เป็นระยะเวลา 15 นาทีเพื่อทดสอบ Maximum demand kvar	230±10% VAC, 34.8 A (สำหรับมิเตอร์ฯ ชนิด 1 เฟส) และ 230/400±10% VAC, 34.8 A (สำหรับมิเตอร์ฯ ชนิด 3 เฟส)	-
15	ปรับค่าการจ่ายกระแสให้แก่มิเตอร์ไฟฟ้าอิเล็กทรอนิกส์เป็นระยะเวลา 15 นาทีเพื่อทดสอบ Billing และ Load Profile	230±10% VAC, 17.4 A (สำหรับมิเตอร์ฯ ชนิด 1 เฟส) และ 230/400±10% VAC, 17.4 A (สำหรับมิเตอร์ฯ ชนิด 3 เฟส)	-
16	ใช้โปรแกรมประยุกต์ของทีมวิจัยและโปรแกรมประยุกต์ของบริษัทที่ส่งทดสอบ ทดสอบการเชื่อมต่อ (connect), อ่านค่า Parameter, Reset parameter, Capture billing profile with alarm decriptor รวมทั้ง Clear alarm descriptor ดังรูปที่ 4-3 หลังทำการหยุดจ่ายกระแส	230±10% VAC (สำหรับมิเตอร์ฯ ชนิด 1 เฟส) และ 230/400±10% VAC (สำหรับมิเตอร์ฯ ชนิด 3 เฟส)	อ่านค่าได้สำเร็จ/ ไม่สามารถอ่านค่า ได้สำเร็จ
17	ทำการจดบันทึกค่าที่แสดงบนหน้าจอของมิเตอร์ไฟฟ้าอิเล็กทรอนิกส์ ดังตารางที่ 4-2 หลังการทดสอบจ่ายกระแส สำหรับมิเตอร์ไฟฟ้าอิเล็กทรอนิกส์ชนิด 1 เฟส และตารางที่ 4-3 สำหรับมิเตอร์ไฟฟ้าอิเล็กทรอนิกส์ชนิด 3 เฟส	-	-

ข้อที่	เงื่อนไขการทดสอบ	พิกัดที่กำหนด	ผลการทดสอบ
18	ทดสอบ Alarm 1 แก้มิตเตอร์ไฟฟ้าอิเล็กทรอนิกส์ชนิด 1 เฟส โดยการทดสอบการละเมิดการใช้ไฟฟ้ากรณี Missing neutral detection และทดสอบ Alarm 1 แก้มิตเตอร์ไฟฟ้าอิเล็กทรอนิกส์ชนิด 3 เฟส โดยการทดสอบการละเมิดการใช้ไฟฟ้ากรณี เปิดฝาครอบ Terminal Cover	230±10% VAC, 5 A (สำหรับมิเตอร์ฯ ชนิด 1 เฟส) และ 230/400±10% VAC, 5 A (สำหรับมิเตอร์ฯ ชนิด 3 เฟส)	-
19	ทดสอบ Alarm 2 แก้มิตเตอร์ไฟฟ้าอิเล็กทรอนิกส์ชนิด 1 เฟสและ 3 เฟส โดยการทดสอบ Under Voltage และทดสอบ Power Quality	น้อยกว่า 207 VAC (สำหรับมิเตอร์ฯ ชนิด 1 เฟส) และ น้อยกว่า 207/360 VAC (สำหรับมิเตอร์ฯ ชนิด 3 เฟส)	-
20	ทดสอบ Alarm 2 แก้มิตเตอร์ไฟฟ้าอิเล็กทรอนิกส์ชนิด 1 เฟสและ 3 เฟส โดยการทดสอบ Minimum Voltage	200 VAC (สำหรับมิเตอร์ฯ ชนิด 1 เฟส) และ 200/300 VAC (สำหรับมิเตอร์ฯ ชนิด 3 เฟส)	-
21	ทดสอบ Alarm 2 แก้มิตเตอร์ไฟฟ้าอิเล็กทรอนิกส์ชนิด 1 เฟสและ 3 เฟส โดยการทดสอบ Over Voltage	มากกว่า 253 VAC (สำหรับมิเตอร์ฯ ชนิด 1 เฟส) และ มากกว่า 253/440 VAC (สำหรับมิเตอร์ฯ ชนิด 3 เฟส)	-
22	ทดสอบ Alarm 2 แก้มิตเตอร์ไฟฟ้าอิเล็กทรอนิกส์ชนิด 3 เฟส โดยการทดสอบ Wrong Phase Sequence	230/400±10% VAC (สำหรับมิเตอร์ฯ ชนิด 3 เฟส)	-
23	ใช้โปรแกรมประยุกต์ของทีมิววิจัยและโปรแกรมประยุกต์ของบริษัทที่ส่งทดสอบ ทดสอบการเชื่อมต่อ (connect), อ่านค่า Parameter, Reset parameter, Capture billing profile with alarm deacriptor รวมทั้ง Clear alarm descriptor ดังรูปที่ 4-3	-	อ่านค่าได้สำเร็จ/ ไม่สามารถอ่านค่า ได้สำเร็จ เช็คค่า Alarm register ว่าถูกต้องหรือไม่
24	ทำการจดบันทึกค่าที่แสดงบนหน้าจอของมิเตอร์ไฟฟ้าอิเล็กทรอนิกส์หลังการทดสอบ ดังตารางที่ 4-2 สำหรับมิเตอร์ไฟฟ้าอิเล็กทรอนิกส์ชนิด 1 เฟส และ ตารางที่ 4-3 สำหรับมิเตอร์ไฟฟ้าอิเล็กทรอนิกส์ชนิด 3 เฟส	-	ค่าที่อ่านได้จาก หน้าจอเทียบกับ ค่าที่อ่านได้จาก โปรแกรมประยุกต์

ตารางที่ 4-2 ค่าที่ต้องแสดงในการทดสอบของมิเตอร์ไฟฟ้าอิเล็กทรอนิกส์ชนิด 1 เฟส ขนาด 5(100) A

ข้อที่	ค่าแสดงผล	หน่วย	การแสดงผล Digit บนหน้าจอ LCD
1	Current date	-	DD/MM/YY or DD.MM.YY or DD:MM:YY
2	Current time	-	HH:MM or HH:MM:SS
3	Total kWh (import, export, absolute and net)	kWh	XXXXXX, or better
4	Maximum kW demand (import and export) of the last reset	kW	XX.XXX, or better
5	Instantaneous active power	kW	XX.XXX, or better
6	Instantaneous voltage (r.m.s.)	V	XXX.X, or better
7	Instantaneous current (r.m.s.)	A	XXX.XX, or better
8	Instantaneous power factor	-	X.XX, or better

ตารางที่ 4-3 ค่าที่ต้องแสดงในการทดสอบของมิเตอร์ไฟฟ้าอิเล็กทรอนิกส์ชนิด 3 เฟส ขนาด 5(100) A

ข้อที่	ค่าแสดงผล	หน่วย	การแสดงผล Digit บนหน้าจอ LCD
1	Current date	-	DD/MM/YY or DD.MM.YY or DD:MM:YY
2	Current time	-	HH:MM or HH:MM:SS
3	Total kWh (import, export, absolute and net)	kWh	XXXXXX, or better
4	Total kvar (import, export, absolute and net)	kvarh	XXXXXX, or better
5	Maximum kW demand (import and export) of the last reset	kW	XX.XXX, or better
6	Maximum kvar demand (import and export) of the last reset	kvar	XX.XXX, or better
7	Instantaneous active power	kW	XX.XXX, or better
8	Instantaneous total reactive power	kvar	XX.XXX, or better
9	Instantaneous per-phase voltage (r.m.s.)	V	XXX.X, or better
10	Instantaneous per-phase current (r.m.s.)	A	XXX.XX, or better
11	Instantaneous power factor	-	X.XX, or better



รูปที่ 4-2 ตัวอย่างหน้าจอแสดงผลการอ่านค่าได้สำเร็จ

4.2 ทดสอบการเชื่อมต่อกับโปรแกรมประยุกต์ที่ใช้สำหรับงานจดหน่วย

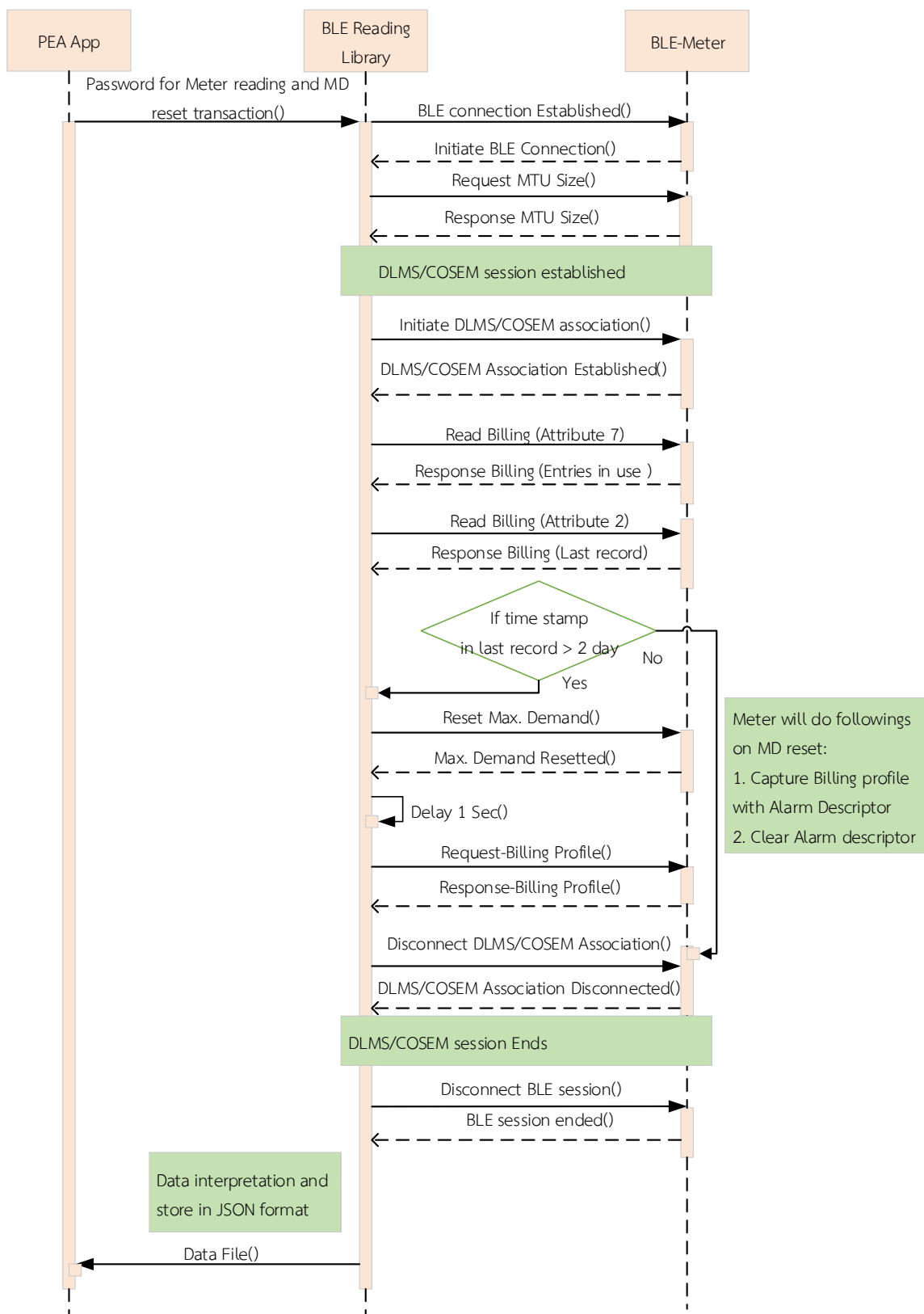
การเชื่อมต่อกับโปรแกรมประยุกต์ที่ใช้สำหรับงานจดหน่วย เป็นการทดสอบในชั้น Physical Layer และ Data Link Layer เพื่อแสดงถึงความสามารถของมิเตอร์ไฟฟ้าอิเล็กทรอนิกส์ในการส่งบันทึกค่า (capture), เคลียร์ค่า (reset) และอ่านค่า (read) ของ Billing และ Alarm กับโปรแกรมประยุกต์ที่ใช้สำหรับงานจดหน่วยของการไฟฟ้าส่วนภูมิภาค ดังแสดงในตารางที่ 4-4 เมื่อโปรแกรมประยุกต์สามารถเชื่อมต่อกับมิเตอร์ไฟฟ้าอิเล็กทรอนิกส์ได้แล้ว โปรแกรมประยุกต์จะอ่านค่า Parameter, Reset parameter, Capture billing profile with alarm deacriptor รวมทั้ง Clear alarm descriptor ดังรูปที่ 4-3 จากนั้นก็จะทำการยกเลิกการเชื่อมต่อกับมิเตอร์ไฟฟ้าอิเล็กทรอนิกส์ โดยรูปแบบข้อมูลที่มีการรับ/ส่งระหว่างมิเตอร์ไฟฟ้าอิเล็กทรอนิกส์กับโปรแกรมประยุกต์จะอยู่ในรูปแบบ DLMS/COSEM (HDLC communication profile)

ตารางที่ 4-4 วิธีการทดสอบการเชื่อมต่อกับโปรแกรมประยุกต์ที่ใช้สำหรับงานจดหน่วย

ข้อที่	เงื่อนไขการทดสอบ	พิกัดที่กำหนด	ผลการทดสอบ
1	จ่ายไฟให้แก่มิเตอร์ไฟฟ้าอิเล็กทรอนิกส์ชนิด 1 เฟส หรือ 3 เฟส ขนาด 5(100) A พร้อมกันทั้ง 3 เครื่อง ให้อยู่ในสถานะทำงาน และแสดงค่า Display testing เสร็จสิ้น	230±10% VAC (สำหรับมิเตอร์ฯ ชนิด 1 เฟส) และ 230/400±10% VAC (สำหรับมิเตอร์ฯ ชนิด 3 เฟส)	-
2	ใช้โปรแกรมประยุกต์ที่ใช้สำหรับงานจดหน่วยและโปรแกรมประยุกต์ของบริษัทที่ส่งทดสอบ ทดสอบการเชื่อมต่อ (connect), อ่านค่า Parameter, Reset parameter, Capture billing profile with alarm deacriptor รวมทั้ง Clear alarm descriptor ดังรูปที่ 4-3 ก่อนทำการจ่ายกระแส	-	อ่านค่าได้สำเร็จ /ไม่สามารถอ่าน ค่าได้สำเร็จ
3	ทำการจดบันทึกค่าที่แสดงบนหน้าจอของมิเตอร์ไฟฟ้าอิเล็กทรอนิกส์ ดังตารางที่ 4-2 ก่อนการทดสอบจ่ายกระแส สำหรับมิเตอร์ไฟฟ้าอิเล็กทรอนิกส์ชนิด 1 เฟส และตารางที่ 4-3 สำหรับมิเตอร์ไฟฟ้าอิเล็กทรอนิกส์ชนิด 3 เฟส	-	ค่าที่อ่านได้จาก หน้าจอเทียบกับ ค่าที่อ่านได้จาก โปรแกรมประยุกต์
4	จ่ายกระแสให้แก่มิเตอร์ไฟฟ้าอิเล็กทรอนิกส์เป็นระยะเวลา 15 นาทีเพื่อทดสอบ Total kWh	230±10% VAC, 17.4 A (สำหรับมิเตอร์ฯ ชนิด 1 เฟส) และ 230/400±10% VAC, 17.4 A (สำหรับมิเตอร์ฯ ชนิด 3 เฟส)	-
5	ปรับค่าการจ่ายกระแสให้แก่มิเตอร์ไฟฟ้าอิเล็กทรอนิกส์เป็นระยะเวลา 15 นาทีเพื่อทดสอบ Maximum demand kW	230±10% VAC, 34.8 A (สำหรับมิเตอร์ฯ ชนิด 1 เฟส) และ 230/400±10% VAC, 34.8 A (สำหรับมิเตอร์ฯ ชนิด 3 เฟส)	-
6	ปรับค่าการจ่ายกระแสให้แก่มิเตอร์ไฟฟ้าอิเล็กทรอนิกส์เป็นระยะเวลา 15 นาทีเพื่อทดสอบ Total kWh	230±10% VAC, 17.4 A (สำหรับมิเตอร์ฯ ชนิด 1 เฟส) และ 230/400±10% VAC, 17.4 A (สำหรับมิเตอร์ฯ ชนิด 3 เฟส)	-
7	ใช้โปรแกรมประยุกต์ที่ใช้สำหรับงานจดหน่วยทดสอบการเชื่อมต่อ (connect), อ่านค่า Parameter, Reset parameter, Capture billing profile with alarm deacriptor รวมทั้ง Clear alarm descriptor ดังรูปที่ 4-3 หลังทำการหยุดจ่ายกระแส	230±10% VAC (สำหรับมิเตอร์ฯ ชนิด 1 เฟส) และ 230/400±10% VAC (สำหรับมิเตอร์ฯ ชนิด 3 เฟส)	อ่านค่าได้สำเร็จ /ไม่สามารถอ่าน ค่าได้สำเร็จ

ข้อที่	เงื่อนไขการทดสอบ	พิกัดที่กำหนด	ผลการทดสอบ
8	ทำการจดบันทึกค่าที่แสดงบนหน้าจอของมิเตอร์ไฟฟ้าอิเล็กทรอนิกส์ ดังตารางที่ 4-2 หลังการทดสอบจ่ายกระแส สำหรับมิเตอร์ไฟฟ้าอิเล็กทรอนิกส์ชนิด 1 เฟส และตารางที่ 4-3 สำหรับมิเตอร์ไฟฟ้าอิเล็กทรอนิกส์ชนิด 3 เฟส	-	ค่าที่อ่านได้จากหน้าจอเทียบกับค่าที่อ่านได้จากโปรแกรมประยุกต์
9	ทดสอบ Alarm 1 แก้มิเตอร์ไฟฟ้าอิเล็กทรอนิกส์ชนิด 1 เฟส โดยการตรวจสอบการละเมิดการใช้ไฟฟ้า กรณี Missing neutral detection และทดสอบ Alarm 1 แก้มิเตอร์ไฟฟ้าอิเล็กทรอนิกส์ชนิด 3 เฟส โดยการตรวจสอบการละเมิดการใช้ไฟฟ้า กรณี เปิดฝาครอบ Terminal Cover	230±10% VAC, 5 A (สำหรับมิเตอร์ฯ ชนิด 1 เฟส) และ 230/400±10% VAC, 5 A (สำหรับมิเตอร์ฯ ชนิด 3 เฟส)	-
10	ทดสอบ Alarm 2 แก้มิเตอร์ไฟฟ้าอิเล็กทรอนิกส์ชนิด 1 เฟสและ 3 เฟส โดยการตรวจสอบ Under Voltage	น้อยกว่า 207 VAC (สำหรับมิเตอร์ฯ ชนิด 1 เฟส) และ น้อยกว่า 207/360 VAC (สำหรับมิเตอร์ฯ ชนิด 3 เฟส)	-
11	ทดสอบ Alarm 2 แก้มิเตอร์ไฟฟ้าอิเล็กทรอนิกส์ชนิด 1 เฟสและ 3 เฟส โดยการทดสอบ Minimum Voltage	200 VAC (สำหรับมิเตอร์ฯ ชนิด 1 เฟส) และ 200/300 VAC (สำหรับมิเตอร์ฯ ชนิด 3 เฟส)	-
12	ทำให้มิเตอร์ไฟฟ้าอิเล็กทรอนิกส์กลับมาอยู่ในสถานะปกติ	230±10% VAC (สำหรับมิเตอร์ฯ ชนิด 1 เฟส) และ 230/400±10% VAC (สำหรับมิเตอร์ฯ ชนิด 3 เฟส)	-
13	ใช้โปรแกรมประยุกต์ที่ใช้สำหรับงานจดหน่วยและโปรแกรมประยุกต์ของบริษัทที่ส่งทดสอบ ทดสอบการเชื่อมต่อ (connect), อ่านค่า Parameter, Reset parameter, Capture billing profile with alarm deacriptor รวมทั้ง Clear alarm descriptor ดังรูปที่ 4-3	-	อ่านค่าได้สำเร็จ /ไม่สามารถอ่านค่าได้สำเร็จ เช็คค่า Alarm register ว่าถูกต้องหรือไม่
14	ทำการจดบันทึกค่าที่แสดงบนหน้าจอของมิเตอร์ไฟฟ้าอิเล็กทรอนิกส์หลังการทดสอบ ดังตารางที่ 4-2 สำหรับมิเตอร์ไฟฟ้าอิเล็กทรอนิกส์ชนิด 1 เฟส และตารางที่ 4-3 สำหรับมิเตอร์ไฟฟ้าอิเล็กทรอนิกส์ชนิด 3 เฟส	-	ค่าที่อ่านได้จากหน้าจอเทียบกับค่าที่อ่านได้จากโปรแกรมประยุกต์

sd PEAppSeqDiag



รูปที่ 4-3 Meter reading process

4.3 ทดสอบระยะเวลาการเชื่อมต่อและอ่านข้อมูล

การทดสอบระยะเวลาการเชื่อมต่อและอ่านข้อมูลระหว่างโปรแกรมประยุกต์และมิเตอร์ไฟฟ้าอิเล็กทรอนิกส์ เพื่อแสดงถึงระยะสูงสุดโดยประมาณเบื้องต้นที่สามารถติดต่อสื่อสารกันได้ โดยจะเป็นการทดสอบในห้องปฏิบัติการ

ตารางที่ 4-5 วิธีการทดสอบระยะเวลาการเชื่อมต่อและอ่านข้อมูล

ข้อที่	เงื่อนไขการทดสอบ	พิกัดที่กำหนด	ผลการทดสอบ
1	จ่ายไฟให้แก่มิเตอร์ไฟฟ้าอิเล็กทรอนิกส์ชนิด 1 เฟส หรือ 3 เฟส ขนาด 5(100) A พร้อมกันทั้ง 3 เครื่อง ให้อยู่ในสถานะทำงาน และแสดงค่า Display testing เสร็จสิ้น	230±10% VAC (สำหรับมิเตอร์ฯ ชนิด 1 เฟส) และ 230/400±10% VAC (สำหรับมิเตอร์ฯ ชนิด 3 เฟส)	-
2	ใช้โปรแกรมประยุกต์ที่ใช้สำหรับงานจดหน่วยและโปรแกรมประยุกต์ของบริษัทที่ส่งทดสอบ ทดสอบการเชื่อมต่อ (connect), อ่านค่า Parameter, Reset parameter, Capture billing profile with alarm deacriptor รวมทั้ง Clear alarm descriptor ดังรูปที่ 4-3	-	อ่านค่าได้สำเร็จ /ไม่สามารถอ่าน ค่าได้สำเร็จ
3	ทำการจดบันทึกระยะเวลาที่อ่านข้อมูลได้สำเร็จ	-	อ่านค่าได้สำเร็จที่ ระยะเวลาสูงสุด โดยประมาณ

4.4 ทดสอบระยะเวลาการเชื่อมต่อและอ่านข้อมูล

การทดสอบระยะเวลาการเชื่อมต่อและอ่านข้อมูลระหว่างโปรแกรมประยุกต์และมิเตอร์ไฟฟ้าอิเล็กทรอนิกส์ เพื่อแสดงถึงระยะเวลาโดยประมาณเบื้องต้นที่ใช้ในการอ่านข้อมูล

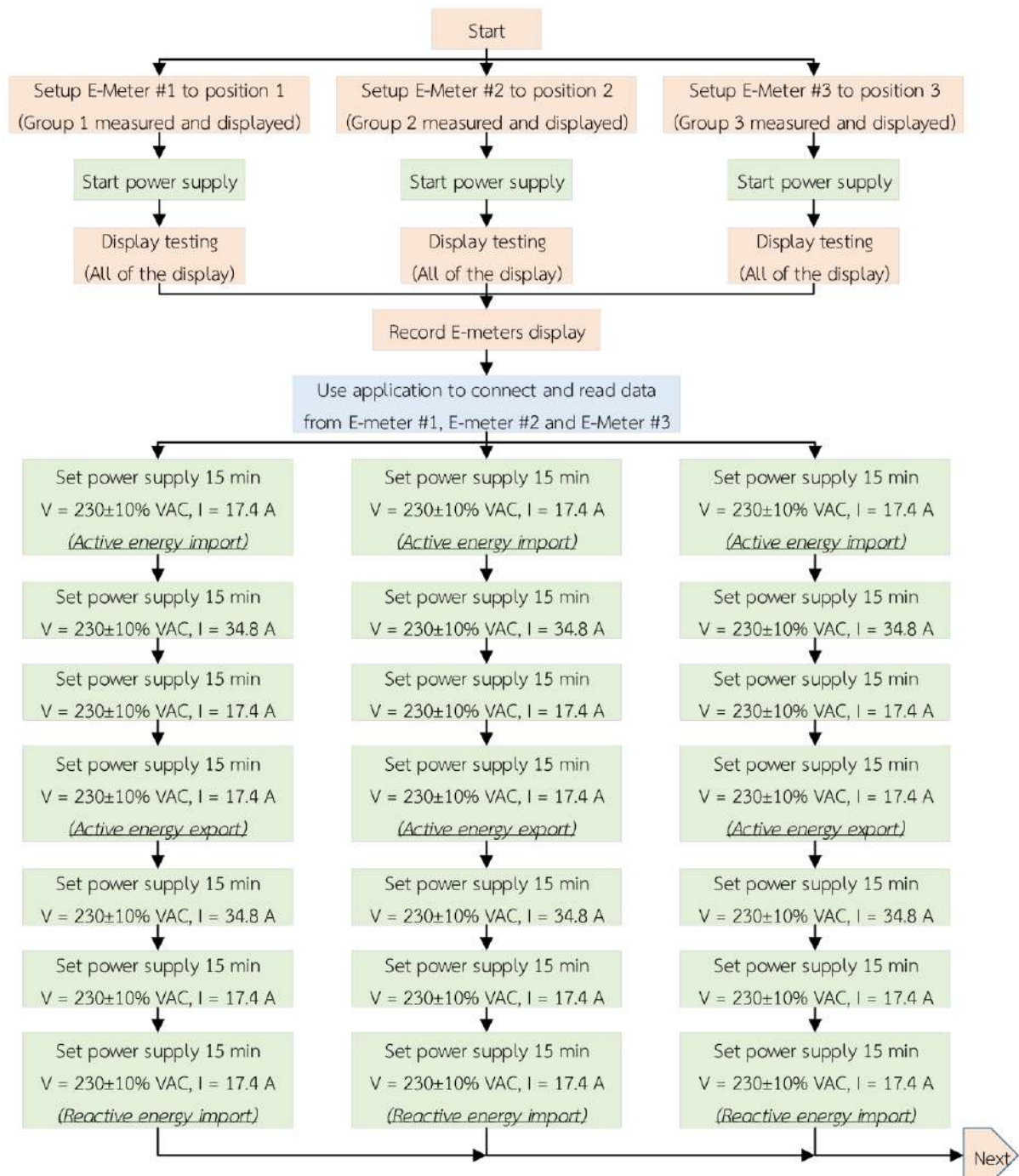
ตารางที่ 4-6 วิธีการทดสอบระยะเวลาการเชื่อมต่อและอ่านข้อมูล

ข้อที่	เงื่อนไขการทดสอบ	พิกัดที่กำหนด	ผลการทดสอบ
1	จ่ายไฟให้แก่มิเตอร์ไฟฟ้าอิเล็กทรอนิกส์ชนิด 1 เฟส หรือ 3 เฟส ขนาด 5(100) A พร้อมกันทั้ง 3 เครื่อง ให้อยู่ในสถานะทำงาน และแสดงค่า Display testing เสร็จสิ้น	230±10% VAC (สำหรับมิเตอร์ฯ ชนิด 1 เฟส) และ 230/400±10% VAC (สำหรับมิเตอร์ฯ ชนิด 3 เฟส)	-
2	ใช้โปรแกรมประยุกต์ที่ใช้สำหรับงานจดหน่วย, โปรแกรมประยุกต์ของทีมวิจัยและโปรแกรมประยุกต์ของบริษัทที่ส่งทดสอบ ทดสอบการเชื่อมต่อ (connect), อ่านค่า Parameter, Reset parameter, Capture billing profile with alarm deacriptor รวมทั้ง Clear alarm descriptor ดังรูปที่ 4-3	-	อ่านค่าได้สำเร็จ /ไม่สามารถอ่าน ค่าได้สำเร็จ
3	ทำการจดบันทึกระยะเวลาที่อ่านข้อมูลได้สำเร็จ	-	อ่านค่าได้สำเร็จที่ ระยะเวลา โดยประมาณ

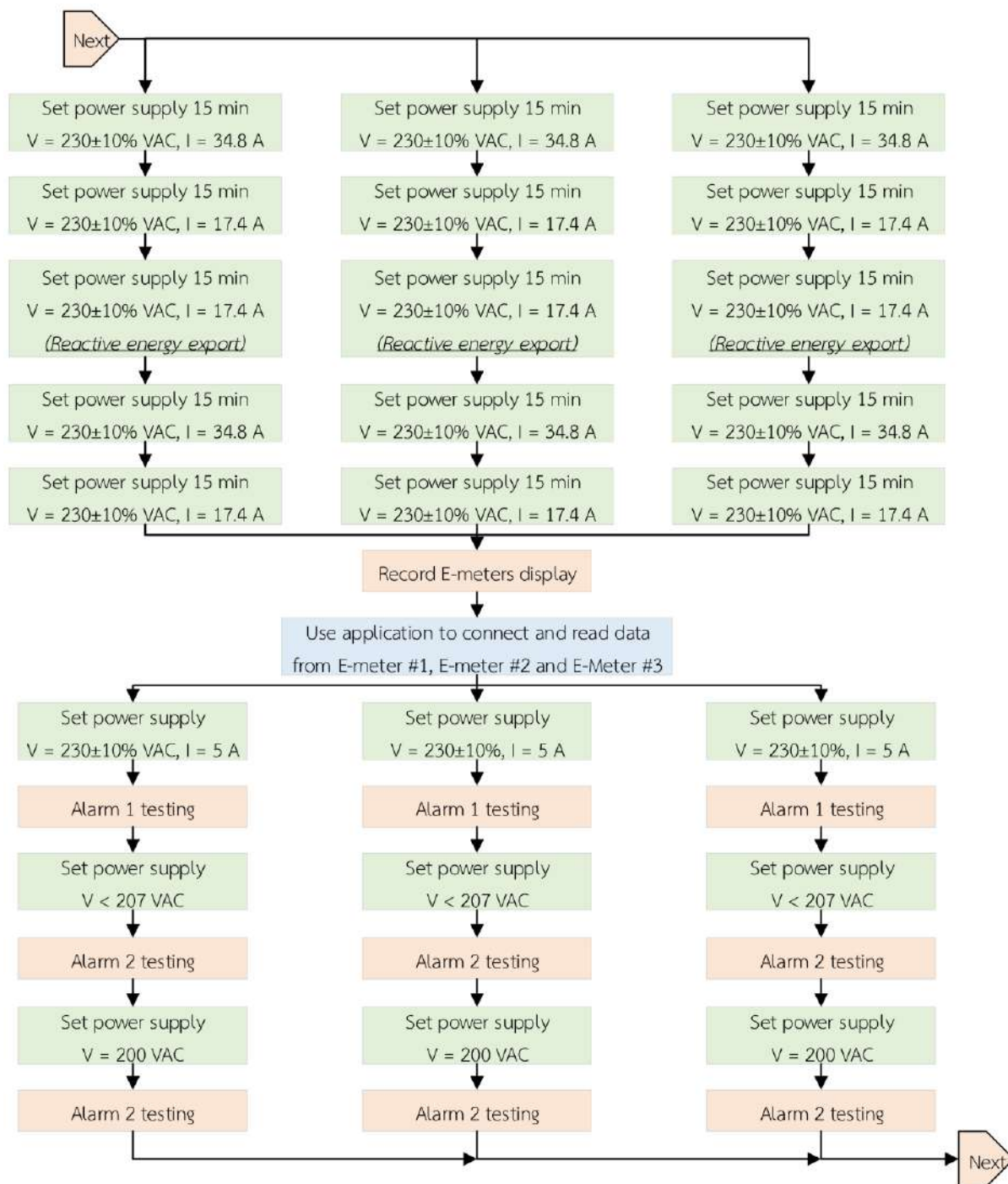
บทที่ 5 ขั้นตอนการทดสอบ

5.1 ขั้นตอนทดสอบการเชื่อมต่อ (connect) และอ่านค่า (read) ของมิเตอร์ไฟฟ้าอิเล็กทรอนิกส์

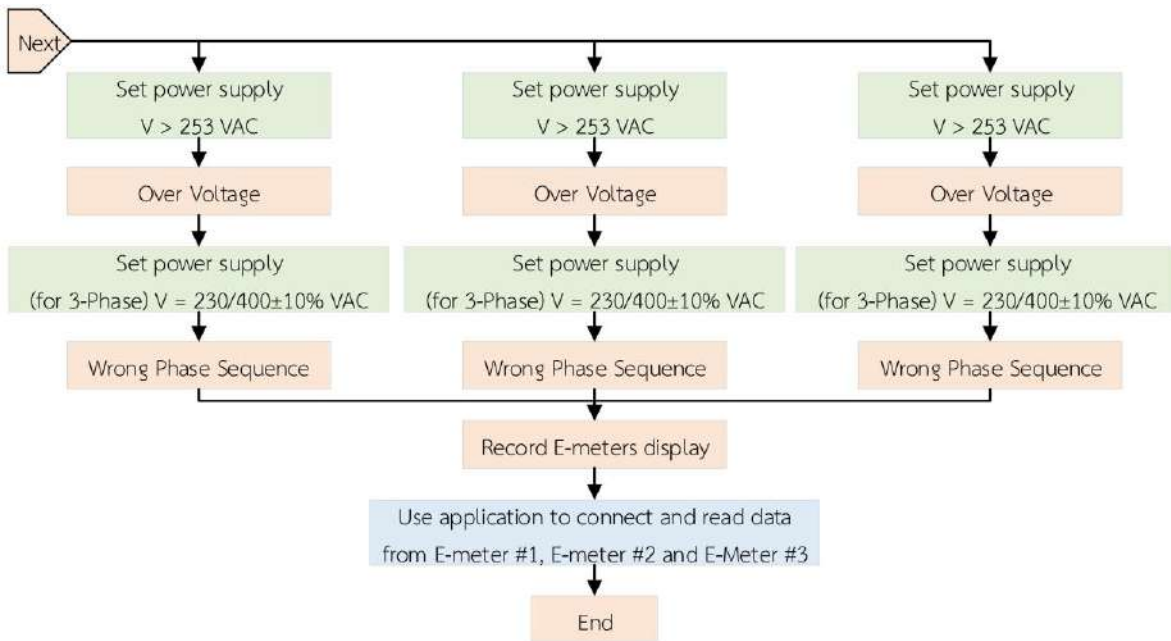
ลำดับขั้นตอนการทดสอบการเชื่อมต่อ (connect) และอ่านค่า (read) ของมิเตอร์ไฟฟ้าอิเล็กทรอนิกส์ที่สอดคล้องกับวิธีการทดสอบและวิธีการวัดผลการทดสอบ ดังแสดงในรูปที่ 5-1 - รูปที่ 5-3



รูปที่ 5-1 The connecting and reading test process



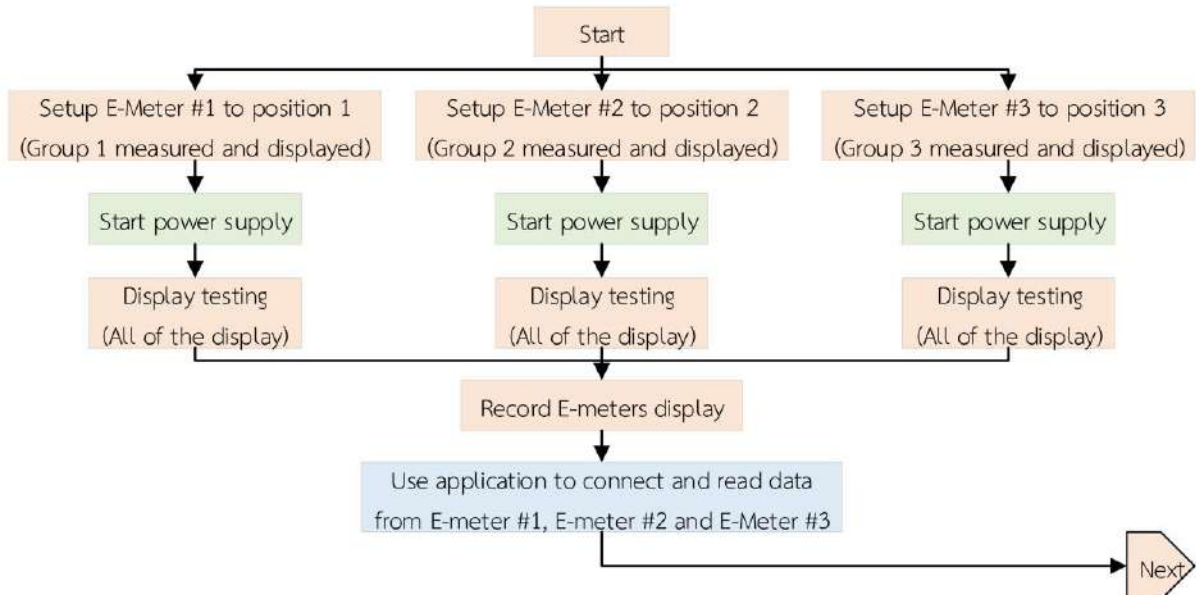
รูปที่ 5-2 The connecting and reading test process (continue)



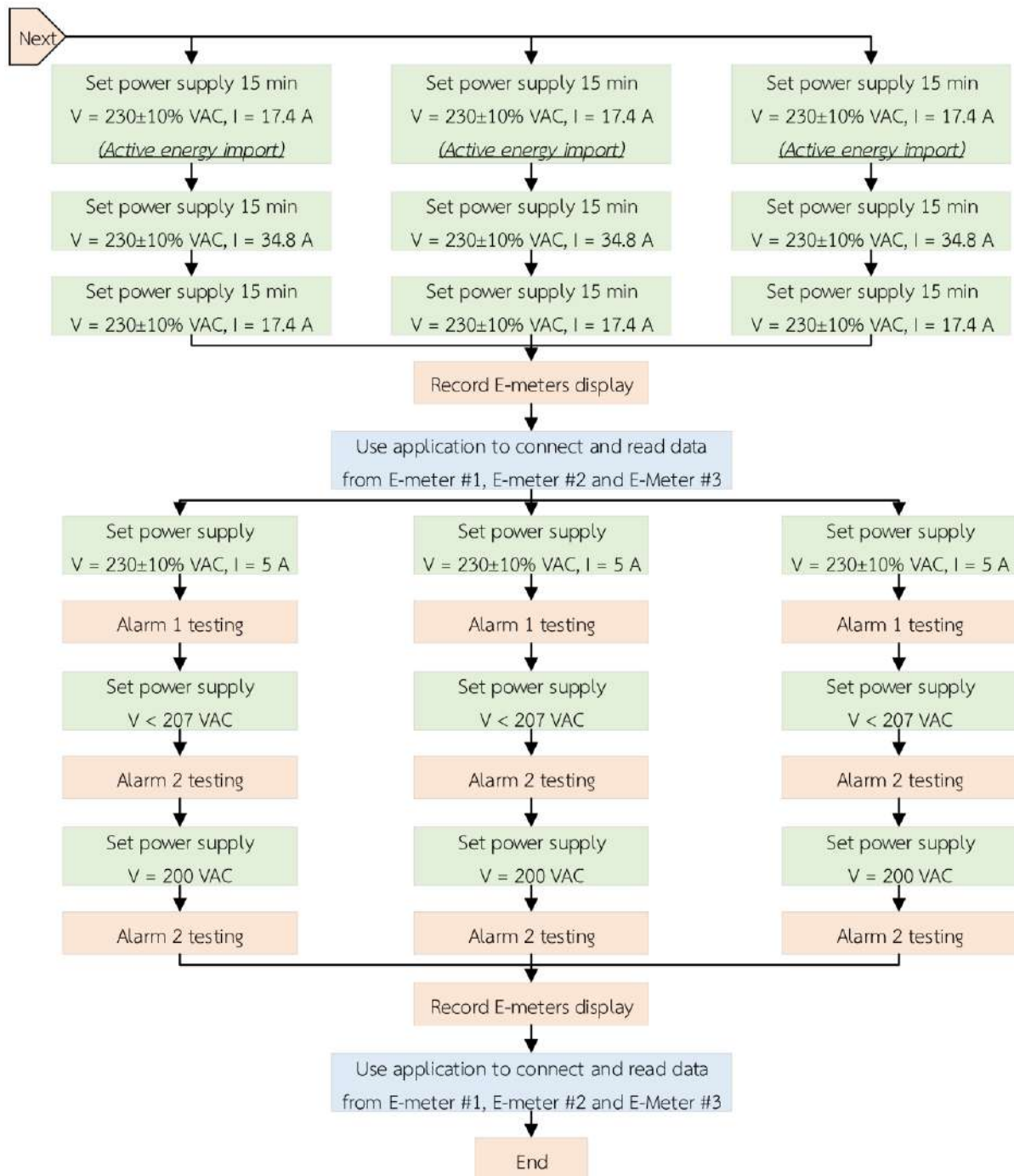
รูปที่ 5-3 The connecting and reading test process (continue)

5.2 ขั้นตอนทดสอบการเชื่อมต่อกับโปรแกรมประยุกต์ที่ใช้สำหรับงานจดหน่วย

ลำดับขั้นตอนการทดสอบทดสอบการเชื่อมต่อกับโปรแกรมประยุกต์ที่ใช้สำหรับงานจดหน่วยที่สอดคล้องกับวิธีการทดสอบและวิธีการวัดผลการทดสอบ ดังแสดงในรูปที่ 5-4 - รูปที่ 5-5



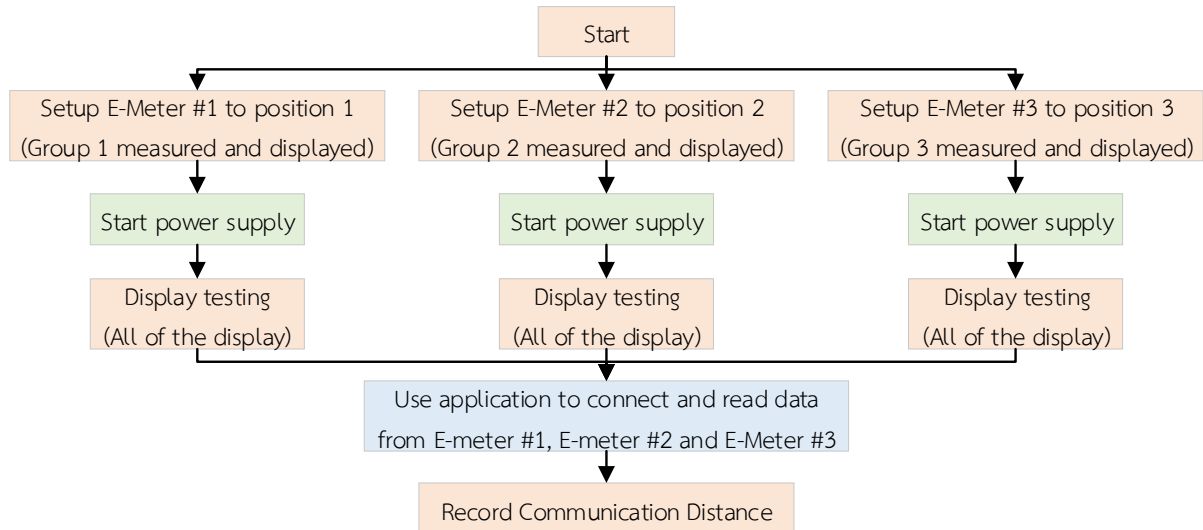
รูปที่ 5-4 The connecting and reading test process with PEA's application



รูปที่ 5-5 The connecting and reading test process with PEA's application (continue)

5.3 ขั้นตอนทดสอบระยะทางการเชื่อมต่อและอ่านข้อมูล

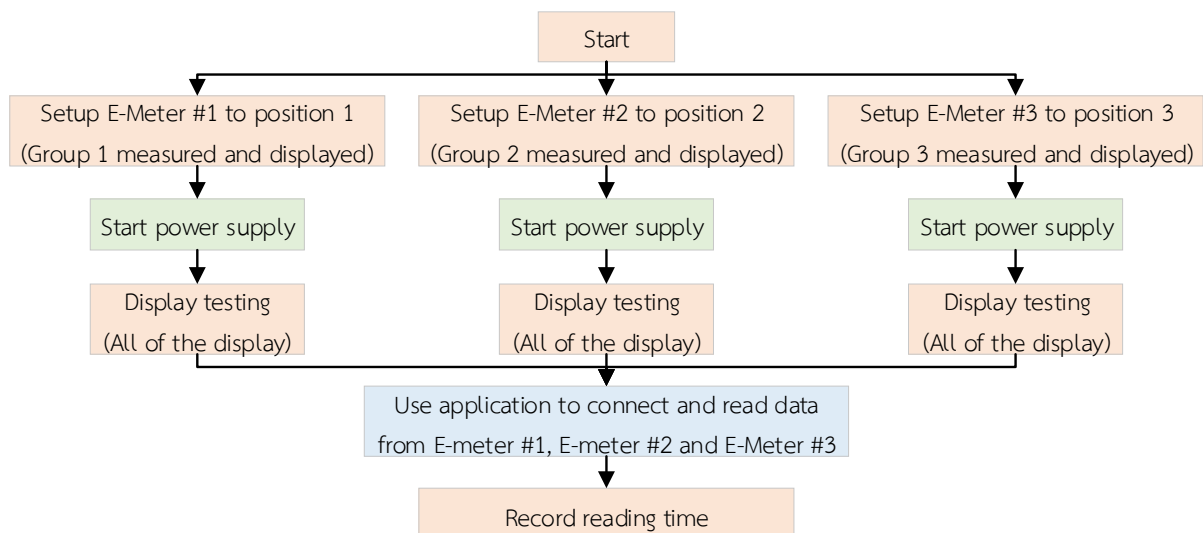
ลำดับขั้นตอนการทดสอบระยะทางการเชื่อมต่อและอ่านข้อมูลที่สอดคล้องกับวิธีการทดสอบและวิธีการวัดผลการทดสอบ ดังแสดงในรูปที่ 5-6



รูปที่ 5-6 The communication distance test process with PEA's application

5.4 ขั้นตอนทดสอบระยะเวลาการเชื่อมต่อและอ่านข้อมูล

ลำดับขั้นตอนการทดสอบระยะเวลาการเชื่อมต่อและอ่านข้อมูลที่สอดคล้องกับวิธีการทดสอบและวิธีการวัดผลการทดสอบ ดังแสดงในรูปที่ 5-7



รูปที่ 5-7 The reading time test process with PEA's application

บทที่ 6 ระยะเวลาที่ใช้ทดสอบ

ระยะเวลาที่ใช้ในการทดสอบมิเตอร์ไฟฟ้าอิเล็กทรอนิกส์ชนิด 1 เฟส ดังแสดงในตารางที่ 6-1 และชนิด 3 เฟส ดังแสดงในตารางที่ 6-2

ตารางที่ 6-1 ระยะเวลาที่ใช้ทดสอบมิเตอร์ไฟฟ้าอิเล็กทรอนิกส์ชนิด 1 เฟส ขนาด 5(100) A

หัวข้อชั่วโมงที่	1			2			3			4			5			6		
ทดสอบการเชื่อมต่อ (connect) และอ่านค่า (read) อัตโนมัติ																		
1. ติดตั้งมิเตอร์ไฟฟ้าอิเล็กทรอนิกส์กับชุด Meter Test System	■																	
2. จัดบันทึกค่าจากหน้าจอมิเตอร์		■																
3. ใช้โปรแกรมประยุกต์เชื่อมต่อและอ่านค่าจากมิเตอร์		■																
4. จ่ายกระแส (<i>Active energy import</i>)			■															
5. เพิ่มการจ่ายกระแส				■														
6. ลดการจ่ายกระแส					■													
7. จ่ายกระแส (<i>Active energy export</i>)						■												
8. เพิ่มการจ่ายกระแส							■											
9. ลดการจ่ายกระแส								■										
10. จ่ายกระแส (<i>Reactive energy import</i>)									■									
11. เพิ่มการจ่ายกระแส										■								
12. ลดการจ่ายกระแส											■							
13. จ่ายกระแส (<i>Reactive energy export</i>)												■						
14. เพิ่มการจ่ายกระแส													■					
15. ลดการจ่ายกระแส														■				
16. จัดบันทึกค่าจากหน้าจอมิเตอร์															■			
17. ใช้โปรแกรมประยุกต์เชื่อมต่อและอ่านค่าจากมิเตอร์																■		
18. ทดสอบ Alarm 1																	■	

หัวข้อชั่วโมงที่	1			2			3			4			5			6		
19. ทดสอบ Alarm 2 (Under V, Power Quality)																		
20. ทดสอบ Alarm 2 (Min V)																		
21. ทดสอบ Alarm 2 (Over voltage)																		
22. จดบันทึกค่าจากหน้าจوميเตอร์																		
23. ใช้โปรแกรมประยุกต์เชื่อมต่อและอ่านค่าจากมิเตอร์																		
การเชื่อมต่อกับโปรแกรมประยุกต์ที่ใช้สำหรับงานจดหน่วย																		
24. ทำให้มิเตอร์ไฟฟ้าอิเล็กทรอนิกส์กลับมาอยู่ในสถานะปกติ																		
25. จดบันทึกค่าจากหน้าจوميเตอร์																		
26. ใช้โปรแกรมประยุกต์เชื่อมต่อและอ่านค่าจากมิเตอร์																		
27. จ่ายกระแส (<i>Active energy export</i>)																		
28. เพิ่มการจ่ายกระแส																		
29. ลดการจ่ายกระแส																		
30. จดบันทึกค่าจากหน้าจوميเตอร์																		
31. ใช้โปรแกรมประยุกต์เชื่อมต่อและอ่านค่าจากมิเตอร์																		
32. ทดสอบ Alarm 2 (Under V)																		
33. ทดสอบ Alarm 2 (Min V)																		
34. จดบันทึกค่าจากหน้าจوميเตอร์																		
35. ใช้โปรแกรมประยุกต์เชื่อมต่อและอ่านค่าจากมิเตอร์																		
ระยะเวลาการเชื่อมต่อและอ่านข้อมูล																		
36. ใช้โปรแกรมประยุกต์เชื่อมต่อและอ่านค่าจากมิเตอร์																		
37. จดบันทึกค่าระยะทาง																		
ระยะเวลาการเชื่อมต่อและอ่านข้อมูล																		
38. ใช้โปรแกรมประยุกต์เชื่อมต่อและอ่านค่าจากมิเตอร์																		
39. จดบันทึกค่าเวลาที่ใช้ในการอ่านข้อมูล																		

ตารางที่ 6-2 ระยะเวลาที่ใช้ทดสอบมิเตอร์ไฟฟ้าอิเล็กทรอนิกส์ชนิด 3 เฟส ขนาด 5(100) A

หัวข้อชั่วโมงที่	1			2			3			4			5			6		
ทดสอบการเชื่อมต่อ (connect) และอ่านค่า (read) จากมิเตอร์																		
1. ติดตั้งมิเตอร์ไฟฟ้าอิเล็กทรอนิกส์กับชุด Meter Test System	■																	
2. จดบันทึกค่าจากหน้าจوميเตอร์		■																
3. ใช้โปรแกรมประยุกต์เชื่อมต่อและอ่านค่าจากมิเตอร์		■																
4. จ่ายกระแส (Active energy import)			■															
5. เพิ่มการจ่ายกระแส				■														
6. ลดการจ่ายกระแส					■													
7. จ่ายกระแส (Active energy export)						■												
8. เพิ่มการจ่ายกระแส							■											
9. ลดการจ่ายกระแส								■										
10. จ่ายกระแส (Reactive energy import)									■									
11. เพิ่มการจ่ายกระแส										■								
12. ลดการจ่ายกระแส											■							
13. จ่ายกระแส (Reactive energy export)												■						
14. เพิ่มการจ่ายกระแส													■					
15. ลดการจ่ายกระแส														■				
16. จดบันทึกค่าจากหน้าจوميเตอร์															■			
17. ใช้โปรแกรมประยุกต์เชื่อมต่อและอ่านค่าจากมิเตอร์																■		
18. ทดสอบ Alarm 1																	■	
19. ทดสอบ Alarm 2 (Under V, Power Quality)																		■
20. ทดสอบ Alarm 2 (Min V)																		■
21. ทดสอบ Alarm 2 (Over voltage)																		■
22. ทดสอบ Alarm 2 (Wrong Phase Sequence)																		■

หัวข้อชั่วโมงที่	1			2			3			4			5			6		
23. จดบันทึกค่าจากหน้าจوميเตอร์																		
24. ใช้โปรแกรมประยุกต์เชื่อมต่อและอ่านค่าจากมิเตอร์																		
การเชื่อมต่อกับโปรแกรมประยุกต์ที่ใช้สำหรับงานจดหน่วย																		
25. ทำให้มิเตอร์ไฟฟ้าอิเล็กทรอนิกส์กลับมาอยู่ในสถานะปกติ																		
26. จดบันทึกค่าจากหน้าจوميเตอร์																		
27. ใช้โปรแกรมประยุกต์เชื่อมต่อและอ่านค่าจากมิเตอร์																		
28. จ่ายกระแส (Active energy export)																		
29. เพิ่มการจ่ายกระแส																		
30. ลดการจ่ายกระแส																		
31. จดบันทึกค่าจากหน้าจوميเตอร์																		
32. ใช้โปรแกรมประยุกต์เชื่อมต่อและอ่านค่าจากมิเตอร์																		
33. ทดสอบ Alarm 2 (Under V)																		
34. ทดสอบ Alarm 2 (Min V)																		
35. จดบันทึกค่าจากหน้าจوميเตอร์																		
36. ใช้โปรแกรมประยุกต์เชื่อมต่อและอ่านค่าจากมิเตอร์																		
ระยะทางการเชื่อมต่อและอ่านข้อมูล																		
37. ใช้โปรแกรมประยุกต์เชื่อมต่อและอ่านค่าจากมิเตอร์																		
38. จดบันทึกค่าระยะทาง																		
ระยะเวลาการเชื่อมต่อและอ่านข้อมูล																		
39. ใช้โปรแกรมประยุกต์เชื่อมต่อและอ่านค่าจากมิเตอร์																		
40. จดบันทึกค่าเวลาที่ใช้ในการอ่านข้อมูล																		

บทที่ 7 สภาพแวดล้อมในการทดสอบ

การทดสอบความเข้ากันได้ของมิเตอร์ไฟฟ้าอิเล็กทรอนิกส์ (Electronic Meters) ชนิด 1 เฟส และ 3 เฟส ขนาด 5(100) A ที่ติดต่อสื่อสารด้วยเทคโนโลยีบลูทูธเวอร์ชัน 4.2 หรือเวอร์ชันล่าสุด มีสภาพแวดล้อมในการทดสอบดังต่อไปนี้

7.1 สถานที่ทดสอบ

- ศูนย์วิจัยเฉพาะทางระบบมิเตอร์ไฟฟ้าอัจฉริยะ (Research Centre of Advanced Metering Infrastructure (AMI))
- ที่อยู่ อาคาร TGGS ชั้น 4 ห้อง 408 1518 ถ.ประชาราษฎร์ 1 แขวงวงศ์สว่าง เขตบางซื่อ กรุงเทพมหานคร 10800 โทรศัพท์ 02-555-2905

7.2 ชุด Meter Test System

1) Three-phase Portable Power Source (120) A

- Model PPS 400.3
- Supply voltage 88 V - 280 V, 45 - 65 Hz
- Power consumption max. 500 VA
- Influence of auxiliary voltage on the measuring results ≤ 0.005 % at 10 % variation
- Frequency range 45 - 400 Hz
- Frequency resolution 0.01 Hz
- Phase angle range -180° - $+180^\circ$
- Phase angle resolution 0.01°
- Phase angle error $\leq 0.1^\circ$

2) Electricity Meter and Instrument Transformer Test System

- Model CALPORT 300
- Auxiliary voltage 86 - 264 V, 47 - 65 Hz
- Power consumption approx. 40 VA
- Influence of auxiliary ≤ 0.005 % at 10 % variation
- Display range 1.0000 mA - 120.0000 A
- Measurement error $E \leq \pm 0.05$ % 40 mA - 120 A

7.3 เครื่องมือที่ใช้สำหรับติดตั้งโปรแกรมประยุกต์และทดสอบ

- Samsung Galaxy A30s
- หมายเลขรุ่น SM-A307GN/DS
- เวอร์ชัน Android 10
- เวอร์ชันของโทรศัพท์ A307GDXU4BTD1
- เวอร์ชันของเคอร์เนล 4.4. 177-18225791
- จอแสดงผลความละเอียด 720 x 1560 พิกเซล (268 ppi)
- บลูทูธ 5.0



ELECTRONIC ENERGY METERS WITH WIRELESS COMMUNICATION

Specification No.: RMTR-038/2564

Approved date: 10 NOV 2022

Rev. No.: 2

Form No. -

Page 1 of 4

 เอกสารเพิ่มเติมแนบรายละเอียดสเปค 5
 (ADDENDUM 5)

เอกสารเพิ่มเติม (ADDENDUM) นี้ถือให้เป็นส่วนหนึ่งของรายละเอียดสเปคอ้างอิงเลขที่ RMTR-038/2564

กรณียัดซื้อมิเตอร์อิเล็กทรอนิกส์ ชนิด 1 เฟส (หมายเลขรหัสพัสดุ 1060050019) หรือยัดซื้อมิเตอร์อิเล็กทรอนิกส์ ชนิด 3 เฟส (หมายเลขรหัสพัสดุ 1060050111) โดยวิธีเฉพาะเจาะจงให้ดำเนินการดังนี้:

แผนและวิธีการชักตัวอย่าง โดยระบุขีดจำกัดคุณภาพที่ยอมรับ ตามมาตรฐานผลิตภัณฑ์อุตสาหกรรมมาตรฐานเลขที่ มอก. 465-2554 หรือ IEC 62058-11: 2010 Part 11: General acceptance inspection methods เพื่อใช้สำหรับการพิจารณาผลการตรวจรับ

1. แผนการชักตัวอย่าง และขนาดของกลุ่มตัวอย่าง

- 1.1 ระดับคุณภาพที่ยอมรับ (Acceptance Quality Level: AQL) กำหนดให้เป็นร้อยละ 15
- 1.2 แผนการชักตัวอย่างแบบ Double sampling ตามตารางที่ 1

2. การสุ่มตัวอย่าง และเกณฑ์การตัดสินใจ

- 2.1 การสุ่มตัวอย่างจะใช้วิธีการทางสถิติ (Simple random sampling) และทำการทดสอบตามข้อ 4
- 2.2 การสุ่มตัวอย่างและเกณฑ์การตัดสินใจตามรูปที่ 1
 - 2.2.1 การสุ่มตัวอย่างครั้งที่ 1 จะดำเนินการสุ่มตัวอย่างระหว่างกระบวนการผลิต ณ โรงงานผู้ผลิต โดยผู้ประกอบการจะต้องจัดวางมิเตอร์ให้สามารถสุ่มตัวอย่างได้โดยง่าย
 - 2.2.2 การสุ่มตัวอย่างครั้งที่ 2 จะดำเนินการสุ่มตัวอย่างเมื่อมิเตอร์ผลิตแล้วเสร็จตาม Lot ที่จะส่งมอบ ณ โรงงานผู้ผลิต โดยผู้ประกอบการจะต้องจัดวางมิเตอร์ให้สามารถสุ่มตัวอย่างได้โดยง่าย
 - 2.2.3 เมื่อตัวอย่างมิเตอร์ผ่านการทดสอบภายหลังจากการสุ่มตามข้อ 2.2.1 หรือ 2.2.2 แล้ว ให้คู่สัญญาดำเนินการจัดส่งรายงานผลการทดสอบให้คณะกรรมการตรวจรับเพื่อประกอบการตรวจรับต่อไป

ตารางที่ 1 แผนการชักตัวอย่างแบบ Double sampling (Normal inspection)

จำนวนมิเตอร์ต่อ Lot	Sample	ปริมาณ Sample (n ₁ , n ₂)	รวมจำนวน	Acceptance number (Ac ₁ , Ac ₂)	Rejection number (Re ₁ , Re ₂)
≤280	1 st	2	2	0	2
	2 nd	2	4	1	2
281 – 500	1 st	2	2	0	2
	2 nd	2	4	1	2

 หมายเหตุ: n₁ : จำนวนตัวอย่างครั้งที่ 1

 n₂ : จำนวนตัวอย่างครั้งที่ 2

 Ac₁ : Acceptance number Sample ครั้งที่ 1

 Ac₂ : Acceptance number Sample ครั้งที่ 2

 Re₁ : Rejection number Sample ครั้งที่ 1

 Re₂ : Rejection number Sample ครั้งที่ 2



การไฟฟ้าส่วนภูมิภาค
PROVINCIAL ELECTRICITY AUTHORITY

PROVINCIAL ELECTRICITY AUTHORITY

ELECTRICAL AND MECHANICAL ENGINEERING DIVISION

ELECTRONIC ENERGY METERS WITH WIRELESS COMMUNICATION

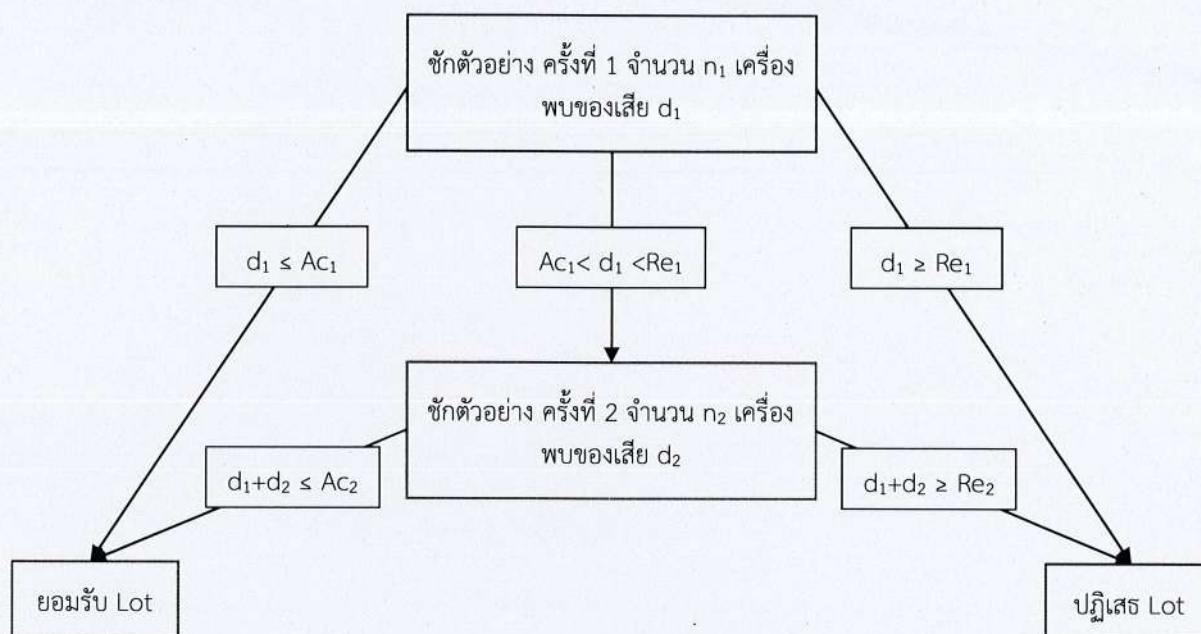
Specification No.: RMTR-038/2564

Approved date: 10 NOV 2022

Rev. No.: 2

Form No. -

Page 2 of 4



รูปที่ 1 วิธีการสุ่มตัวอย่างและเกณฑ์การตัดสินใจ

(1) กรณีการสุ่มครั้งที่ 1

- ในกรณีพบมิเตอร์ที่ไม่ผ่านคุณสมบัติตามเงื่อนไขที่ระบุในสเปค จำนวนน้อยกว่าหรือเท่ากับ Ac_1 เครื่อง ถือว่าผลการทดสอบเป็นที่ยอมรับได้ ไม่ต้องสุ่มตรวจรับในครั้งที่ 2 และผู้ประกอบการต้องดำเนินการแก้ไขพัสดุที่ไม่ผ่านการทดสอบให้ถูกต้องตามข้อกำหนดของ กฟภ.

- ในกรณีพบมิเตอร์ที่ไม่ผ่านคุณสมบัติตามเงื่อนไขที่ระบุในสเปค จำนวนมากกว่า Ac_1 เครื่อง แต่ไม่เกิน Re_1 เครื่อง ให้ดำเนินการสุ่มต่อในครั้งที่ 2

- ในกรณีพบมิเตอร์ที่ไม่ผ่านคุณสมบัติตามเงื่อนไขที่ระบุในสเปค จำนวนมากกว่าหรือเท่ากับ Re_1 เครื่อง จะไม่ผ่านการตรวจรับ และผู้ประกอบการต้องดำเนินการแก้ไขพัสดุใน Lot นั้นทั้งหมด รวมถึงหาข้อบกพร่องหรือสาเหตุที่ทำให้เกิดความผิดปกติ พร้อมดำเนินการปรับปรุงกระบวนการผลิต และยื่นรายงานผลการปรับปรุงกระบวนการผลิต และควบคุมคุณภาพให้ กฟภ. พร้อมการส่งมอบพัสดุที่ได้ปรับปรุงแก้ไขแล้ว และถือว่ารายงานนั้นเป็นส่วนหนึ่งในการพิจารณาผลการตรวจรับ โดยให้เริ่มกระบวนการตรวจรับและสุ่มทดสอบตั้งแต่ครั้งที่ 1 ใหม่อีกครั้ง

(2) กรณีการสุ่มครั้งที่ 2

- ในกรณีพบมิเตอร์ที่ไม่ผ่านคุณสมบัติตามเงื่อนไขที่ระบุในสเปค รวมกันในการสุ่มครั้งที่ 1 และครั้งที่ 2 เป็นจำนวนน้อยกว่าหรือเท่ากับ Ac_2 เครื่อง ถือว่าผลการทดสอบเป็นที่ยอมรับได้ และผู้ประกอบการต้องดำเนินการแก้ไขพัสดุที่ไม่ผ่านการทดสอบให้ถูกต้องตามข้อกำหนดของ กฟภ.

- ในกรณีพบมิเตอร์ที่ไม่ผ่านคุณสมบัติตามเงื่อนไขที่ระบุในสเปค รวมกันในการสุ่มครั้งที่ 1 และครั้งที่ 2 เป็นจำนวนมากกว่าหรือเท่ากับ Re_2 เครื่อง จะไม่ผ่านการตรวจรับ และผู้ประกอบการต้องดำเนินการแก้ไขพัสดุใน Lot นั้นทั้งหมด รวมถึงหาข้อบกพร่องหรือสาเหตุที่ทำให้เกิดความผิดปกติ พร้อมดำเนินการปรับปรุงกระบวนการผลิต และยื่นรายงานผลการปรับปรุงกระบวนการผลิต และควบคุมคุณภาพให้ กฟภ. พร้อมการส่งมอบพัสดุที่ได้ปรับปรุงแก้ไขแล้ว และถือว่ารายงานนั้นเป็นส่วนหนึ่งในการพิจารณาผลการตรวจรับ โดยให้เริ่มกระบวนการตรวจรับและสุ่มทดสอบตั้งแต่ครั้งที่ 1 ใหม่อีกครั้ง



การไฟฟ้าส่วนภูมิภาค
PROVINCIAL ELECTRICITY AUTHORITY

PROVINCIAL ELECTRICITY AUTHORITY

ELECTRICAL AND MECHANICAL ENGINEERING DIVISION

ELECTRONIC ENERGY METERS WITH WIRELESS COMMUNICATION

Specification No.: RMTR-038/2564

Approved date: 10 NOV 2022

Rev. No.: 2

Form No. -

Page 3 of 4

3. การควบคุมคุณภาพในการผลิต

3.1 คู่สัญญาจะต้องจัดส่งเอกสารภายใน 15 วัน นับถัดจากได้รับใบสั่งซื้อ (Purchase Order) ประกอบด้วย:

3.1.1 แผนการผลิต

3.1.2 กระบวนการผลิตพร้อมแสดงเครื่องจักรและเครื่องมือที่ใช้ในการผลิต

3.1.3 การควบคุมคุณภาพและเอกสารแสดงวิธีการควบคุมคุณภาพ (Quality Control Process)

3.2 กฟภ. ขอสงวนสิทธิ์ในการเข้าตรวจสอบกระบวนการผลิตและการทดสอบที่เกี่ยวข้องได้ตลอดเวลาในช่วงที่มีการผลิตพัสดุดังกล่าว ซึ่ง กฟภ. หรือผู้แทนจะเข้าดำเนินการตรวจสอบ โดยมีรายละเอียดดังต่อไปนี้:

3.2.1 ตรวจสอบรายการวัตถุดิบที่ใช้ในการผลิต ให้เป็นไปตามเงื่อนไข

3.2.2 ตรวจสอบขั้นตอนการผลิต และการควบคุมคุณภาพ ให้เป็นไปตามเอกสารระบบควบคุมคุณภาพ ISO/มอก. 9001 หรือ ISO 9001 ที่ผู้ผลิตได้รับการรับรองในปัจจุบัน

3.2.3 ตรวจสอบเครื่องมือและอุปกรณ์ทดสอบที่ใช้ในการผลิตและการควบคุมคุณภาพ

3.2.4 สุ่มตัวอย่างตามเงื่อนไขที่กำหนด เพื่อประกอบการตรวจรับ

ในการดำเนินการควบคุมคุณภาพ ณ โรงงานผู้ผลิต กฟภ. จะเป็นผู้รับผิดชอบค่าใช้จ่ายที่เกิดขึ้นในส่วนของ กฟภ. เอง เว้นแต่กรณีที่ กฟภ. หรือผู้แทนต้องเข้าดำเนินการควบคุมคุณภาพซ้ำอันเนื่องจากไม่ผ่านเงื่อนไขตามสัญญาฯ ที่กำหนดไว้ หรือมีเหตุที่ทำให้ กฟภ. หรือตัวแทนเชื่อได้ว่ายังไม่สามารถควบคุมคุณภาพเป็นไปตามที่กำหนดได้ คู่สัญญาต้องรับผิดชอบในค่าใช้จ่ายที่เกิดขึ้นทั้งหมด

3.3 กรณีที่พิสูจน์ได้ว่าผู้ผลิตไม่ปฏิบัติตามเงื่อนไขการควบคุมคุณภาพในการผลิต จะถือว่าพัสดุดังกล่าวไม่ผ่านการตรวจรับ และให้คณะกรรมการตรวจรับแจ้งผู้ผลิตเพื่อนำพัสดุดังกล่าวไปแก้ไขและปฏิบัติตามเงื่อนไขการควบคุมคุณภาพในการผลิตต่อไป

4. หัวข้อการทดสอบมิเตอร์ที่ถูกสุ่มตัวอย่าง ณ โรงงานผู้ผลิตเพื่อประกอบการตรวจรับ สำหรับกลุ่มตัวอย่างทุกเครื่อง มีหัวข้อการทดสอบตาม IEC 62058-31/2008 Part 31: Particular requirements for static meters for active energy (classes 0.2 S, 0.5 S, 1 and 2) ดังนี้:

(1) AC voltage tests

(2) Test of no-load condition

(3) Starting

(4) Accuracy Test

- 0.05I_b, p.f. 1.0 Balanced phase

- I_b, p.f. 1.0 Balanced phase

- I_b, p.f. 0.5 Balanced phase

- I_b, p.f. 1.0 Unbalanced phase

- I_{max}, p.f. 1.0 Balanced phase

(5) Verification of the register

(6) Bluetooth communication between meters and PEA's Mobile Application โดย กฟภ. จะดำเนินการทดสอบตามรายละเอียดสเปคที่ระบุไว้ในเอกสารเพิ่มเติมแนบท้ายรายละเอียดสเปค 3 (ADDENDUM 3) "Bluetooth Meter Application Interface – Spot Billing Application"





กาไฟฟ้าส่วนภูมิภาค
PROVINCIAL ELECTRICITY AUTHORITY

PROVINCIAL ELECTRICITY AUTHORITY

ELECTRICAL AND MECHANICAL ENGINEERING DIVISION

ELECTRONIC ENERGY METERS WITH WIRELESS COMMUNICATION

Specification No.: RMTR-038/2564

Approved date: 10 NOV 2022

Rev. No.: 2

Form No. -

Page 4 of 4

สำหรับการทดสอบหัวข้อ 4 (1) ถึง (5) กฟภ. (กองมิเตอร์ (กมต.) หรือผู้แทน กฟภ.) จะเป็นผู้ดำเนินการสุ่มตัวอย่าง และทดสอบที่โรงงานผู้ผลิต เมื่อตัวอย่างมิเตอร์ผ่านการทดสอบให้คู่สัญญาดำเนินการจัดส่งรายงานผลการทดสอบให้คณะกรรมการตรวจรับ โดยไม่คิดค่าใช้จ่ายในการทดสอบ

กฟภ. ขอสงวนสิทธิ์เข้าร่วมทดสอบมิเตอร์ผ่านสื่ออิเล็กทรอนิกส์ หรือร่วมทดสอบที่โรงงานผู้ผลิต

สำหรับการทดสอบหัวข้อ 4 (6) ให้คู่สัญญาจัดส่งตัวอย่างให้ กฟภ. เป็นผู้ดำเนินการทดสอบ เมื่อตัวอย่างมิเตอร์ผ่านการทดสอบให้ กมต. แจ้งผลการทดสอบให้คณะกรรมการตรวจรับ โดยไม่คิดค่าใช้จ่ายในการทดสอบ

เพื่อลดระยะเวลาการตรวจรับ กฟภ. ไม่ต้องดำเนินการทดสอบตัวอย่างมิเตอร์ในหัวข้อ 4 (6) หาก กมต. ตรวจสอบแล้ว พบว่ามีเตอร้รุ่นที่ส่งมอบผ่านการทดสอบหัวข้อ 4 (6) จาก กฟภ. แล้ว เป็นระยะเวลาภายใน 1 ปี นับถัดจากวันที่ กฟภ. แจ้งผลทดสอบมิเตอร์รุ่นนั้นให้กับ กมต. ถึงวันที่ กมต. หรือผู้แทน กฟภ. เข้าทดสอบหรือตรวจสอบการผลิต

5. คู่สัญญาจะต้องส่งรายงานผลการทดสอบที่มีอายุไม่เกิน 1 ปี นับถัดจากวันที่ออกรายงานผลการทดสอบ ถึงวันที่ กมต. หรือผู้แทน กฟภ. เข้าทดสอบหรือตรวจสอบการผลิต แทนการส่งตัวอย่างเพื่อการทดสอบ โดยมีหัวข้อการทดสอบดังนี้:

(1) Tests of insulation properties

- Impulse voltage tests

(2) Tests of the effect of the climatic environments

- Dry heat test

- Cold test

- Damp heat, cyclic test

- Solar radiation test

(3) Mechanical tests

- Vibration test

- Shock test

6. คู่สัญญาจะต้องส่งรายงานผลการทดสอบหรือผลการทดสอบตามข้อ 4 และ 5 ให้คณะกรรมการตรวจรับ เพื่อใช้ประกอบการตรวจรับพัสดุพร้อมการส่งมอบมิเตอร์ ณ จุดส่งมอบ

เงื่อนไขเพิ่มเติมประกอบการจัดซื้อมิเตอร์อิเล็กทรอนิกส์

1. ผู้ขายต้องปฏิบัติตามเงื่อนไขที่ระบุในข้อกำหนดทางเทคนิคเลขที่ RMTR-038/2564 Rev. No.: 2 ELECTRONIC ENERGY METERS WITH WIRELESS COMMUNICATION

2. คู่สัญญาฯ ต้องจัดส่งเอกสารให้ กองมิเตอร์ การไฟฟ้าส่วนภูมิภาค ภายใน 8 วัน หลังจากได้รับคำสั่งซื้อ ประกอบด้วย

2.1. แผนการผลิต

2.2 เอกสารแสดงรายละเอียดกระบวนการผลิต พร้อมเครื่องจักรและเครื่องมือที่ใช้ในการผลิต (เอกสารที่ส่งสามารถใช้ประกอบการพิจารณาได้ไม่เกิน 3 เดือน หลังจากนั้นต้องส่งให้การไฟฟ้าส่วนภูมิภาคพิจารณาใหม่)

2.3 เอกสารการควบคุมคุณภาพ เช่น มอก.9001, ISO 9001 หรือ มอก.17025 (ถ้ามี), ISO/IEC 17025 (ถ้ามี) เป็นต้น ที่ผู้ผลิตได้รับการรับรองและยังมีผลบังคับใช้จนถึงวันที่ยื่นเอกสาร หากใบรับรองหมดอายุ อนุโลมให้แสดงหลักฐานการยื่นขอรับการตรวจติดตามฯ แทนได้

2.4 คู่สัญญาฯ จะต้องจัดส่งตัวอย่างมิเตอร์อิเล็กทรอนิกส์, Firmware และ Operation program (Configuration) ให้ กองมิเตอร์ การไฟฟ้าส่วนภูมิภาค เพื่อตรวจสอบความถูกต้องใน การใช้งาน การวัดค่า parameter ต่าง ๆ การบันทึกเหตุการณ์ผิดปกติ การบันทึกค่าแรงดันสูงสุดต่ำสุด การอ่านข้อมูลผ่าน Bluetooth ด้วย PEA mobile application การบันทึกข้อมูล load profile และอื่น ๆ ตามเงื่อนไข โดยต้องมีคุณสมบัติเป็นไปตามข้อกำหนดทางเทคนิค เลขที่ RMTR-038/2564 ก่อนจะนำ Firmware และ Operation program (Configuration) ไปใช้ในการผลิตมิเตอร์ (กรณีผู้ขายยังไม่เคยส่งมิเตอร์มาทดสอบที่ กองมิเตอร์หรือส่งมาทดสอบแล้วแต่ยังไม่ผ่านตามข้อกำหนด)

2.5 กรณีคู่สัญญาฯ ที่ได้รับใบรับรองผลการทดสอบ (Test Certificated) ตามข้อกำหนดทางเทคนิค ของการไฟฟ้าส่วนภูมิกาคนั้น ให้ดำเนินการจัดส่งเฉพาะ Operation program (Configuration) ให้ กองมิเตอร์ การไฟฟ้า ส่วนภูมิภาคเพื่อตรวจสอบความถูกต้องก่อนเริ่มผลิต

3. การไฟฟ้าส่วนภูมิภาคขอสงวนสิทธิ์ในการเข้าตรวจสอบกระบวนการผลิต และการทดสอบที่เกี่ยวข้องได้ ตลอดเวลาในช่วงที่มีการผลิตพัสดุดังกล่าวตามเงื่อนไขสัญญา

4. คู่สัญญาฯ ต้องแจ้งคณะกรรมการตรวจรับพัสดุ และ กองมิเตอร์ การไฟฟ้าส่วนภูมิภาค เพื่อดำเนินการ ทดสอบ, ตรวจรับที่โรงงานผู้ผลิต พร้อมจัดส่ง Routine test report ทุกเครื่องตามงวดการผลิตในรูปแบบ PDF file โดย Routine test report ดังกล่าว จะต้องเป็นไปตามข้อกำหนดตามข้อ 1 และจะต้องระบุรายละเอียดของ เช่น ชื่อบริษัท, ผลิตภัณฑ์, เลขที่สัญญาซื้อขาย, งวด (Lot) ที่ผลิต, จำนวนที่ผลิต, วันที่ผลิต, Model, Rated Current, Rated Voltage เป็นต้น พร้อมลงนามผู้ทดสอบและผู้ตรวจรับรองผล

การคิดค่าปรับเนื่องจากการส่งมอบมิเตอร์อิเล็กทรอนิกส์ล่าช้า

การไฟฟ้าส่วนภูมิภาคขอสงวนสิทธิ์ในการคิดค่าปรับในกรณีส่งมอบมิเตอร์อิเล็กทรอนิกส์เกินกำหนด โดยคิด ค่าปรับเป็นรายวันในอัตราร้อยละ 0.2 ของราคามิเตอร์อิเล็กทรอนิกส์ที่ยังมิได้รับมอบ

การรับประกันความชำรุดบกพร่อง

คู่สัญญาฯ จะต้องรับประกันความชำรุดบกพร่องของสิ่งของที่ซื้อขายที่เกิดขึ้นภายในระยะเวลาไม่น้อยกว่า 5 ปี นับถัดจากวันที่การไฟฟ้าส่วนภูมิภาค ได้รับมอบงานทั้งหมดตามสัญญา โดยต้องบริหารจัดการซ่อมแซมแก้ไขให้ใช้งานได้ติดตั้งเดิมภายใน 30 วัน นับถัดจากวันที่ได้รับแจ้งจากการไฟฟ้าส่วนภูมิภาคโดยไม่คิดค่าใช้จ่ายใด ๆ ทั้งสิ้น

กรณีที่คู่สัญญาฯ ไม่จัดการซ่อมแซมแก้ไขความชำรุดบกพร่อง ให้ใช้งานได้ติดตั้งเดิม ภายใน 30 วันนับถัดจากวันที่ได้รับแจ้งความชำรุดบกพร่อง จะกำหนดค่าปรับเป็นรายวันจนกว่าจะแก้ไขความชำรุดบกพร่องให้สามารถใช้งานได้ติดตั้งเดิม เป็นจำนวนเงินในอัตราร้อยละ 0.04109 ของราคาอุปกรณ์ที่ชำรุดบกพร่องไม่สามารถใช้งานได้ และผู้ซื้อสงวนสิทธิ์ในการจัดหาพัสดุมาทดแทน โดยผู้ขายต้องเป็นผู้รับผิดชอบค่าใช้จ่ายทั้งหมดที่เกิดขึ้น

กรณีมิเตอร์ชำรุดบกพร่องอันเนื่องมาจากคุณภาพ คู่สัญญาฯ จะต้องยินยอมให้การไฟฟ้าส่วนภูมิภาค เรียกเก็บค่าปรับซึ่งเป็นค่าใช้จ่ายในการติดตั้งหรือถอนในอัตราเครื่องละ 1,500.- บาท (หนึ่งพันห้าร้อยบาทถ้วน)

ลักษณะมิเตอร์อิเล็กทรอนิกส์ชำรุดจากคุณภาพที่อยู่ภายใต้เงื่อนไขรับประกันความชำรุดบกพร่อง มีดังนี้

1. มิเตอร์ไม่วัดค่าขณะมีการใช้ไฟฟ้า หรือ มิเตอร์วัดค่าขณะไม่มีการใช้ไฟฟ้า
2. มิเตอร์มีค่าความคลาดเคลื่อนเกินพิกัดหรือมิเตอร์วัดค่าการใช้ไฟฟ้าไม่ถูกต้อง
3. โปรแกรมหรือ Firmware มิเตอร์ทำงานผิดปกติ
4. Port สื่อสาร, Wireless communication ชำรุด/ไม่สามารถติดต่อสื่อสาร
5. Battery ชำรุด หรือขั้วต่อแบตเตอรี่หลวม/ชำรุด
6. หน้าจอชำรุดหรือไม่แสดงค่า
7. มดหรือแมลงลงในตัวมิเตอร์
8. น้ำเข้าในตัวมิเตอร์ (ติดตั้งใช้งานแล้วมีน้ำเข้าในตัวมิเตอร์)
9. สกรูภายในตัวมิเตอร์ หรือ Nameplate หลุด หลวม
10. ฝาครอบตัวมิเตอร์ และ/หรือ ฝาครอบ Terminal เป็นฝ้า ชุมน มีว เหลือง จนไม่สามารถอ่านหน่วยได้หรือ

ซึ่งเกิดจากการเสื่อมคุณภาพของวัสดุ

11. ฝาครอบตัวมิเตอร์ และ/หรือ ฝาครอบ Terminal กรอบ แตกร้าว ซึ่งเกิดจากการเสื่อมคุณภาพของวัสดุ
12. Terminal หรือขั้วต่อสายเป็นสนิม จนทำให้คุณสมบัติการนำไฟฟ้าเปลี่ยนแปลง

เงื่อนไขทั่วไปประกอบการจัดซื้อพัสดุ

ผู้ยื่นข้อเสนอ จะต้องปฏิบัติตามเงื่อนไขประกอบการจัดซื้อพัสดุดังนี้

ข้อ ๑ “ผู้ยื่นข้อเสนอจะต้องยื่นเอกสารทางเทคนิค เช่น แค็ตตาล็อก แบบรูป (Drawings) รายงานผลการทดสอบเฉพาะแบบ (Type test reports) หรือเอกสารอื่นๆ ตามที่ได้ระบุไว้ในรายละเอียดสเปก (Specification) ให้ครบถ้วนพร้อมกับการยื่นข้อเสนอ โดยเอกสารทางเทคนิคดังกล่าวจะต้องเป็นภาพสีเหมือนกับเอกสารต้นฉบับ และต้องเป็นภาษาไทยหรือภาษาอังกฤษเท่านั้น สำหรับเอกสารทางเทคนิคที่ผู้ยื่นข้อเสนอจะต้องกรอกรายละเอียดในแบบฟอร์มของ การไฟฟ้าส่วนภูมิภาค ให้ใช้วิธีการพิมพ์เท่านั้น การไฟฟ้าส่วนภูมิภาคขอสงวนสิทธิ์ที่จะไม่รับพิจารณาผู้ยื่นข้อเสนอที่ยื่นเอกสารทางเทคนิคไม่ครบถ้วน หรือไม่ปฏิบัติตามที่ระบุข้างต้น

ข้อ ๒ การไฟฟ้าส่วนภูมิภาค จะพิจารณาเฉพาะเอกสารทางเทคนิค เช่น แค็ตตาล็อก แบบรูป (Drawings) รายงานผลการทดสอบเฉพาะแบบ (Type test reports) หรือเอกสารอื่นๆ ที่ระบุผลิตภัณฑ์เป็นแบบ (Type) หรือเป็นรุ่น (Model) ที่ตรงกับที่ผู้ยื่นข้อเสนอระบุไว้ในรายการที่เสนอราคาเท่านั้น เว้นแต่รายละเอียดสเปก (Specification) ระบุความต้องการเอกสารทางเทคนิคไว้เป็นอย่างอื่น

ข้อ ๓ สำหรับพัสดุดูอุปกรณ์ที่ การไฟฟ้าส่วนภูมิภาค กำหนดให้ใช้เกณฑ์ราคาประกอบเกณฑ์อื่น (Price-performance) ในการพิจารณาจัดซื้อ ผู้ยื่นข้อเสนอที่ยื่นผลิตภัณฑ์ที่มีคุณสมบัติเป็นไปตามเกณฑ์อื่นในแต่ละรายการ และมีความประสงค์ที่จะให้ การไฟฟ้าส่วนภูมิภาค คิดคะแนนในส่วนของเกณฑ์อื่นดังกล่าวเพื่อประกอบการพิจารณาจัดซื้อนั้น ผู้ยื่นข้อเสนอจะต้องยื่นเอกสารแสดงคุณสมบัติในแต่ละเกณฑ์ให้ถูกต้อง และครบถ้วนมาพร้อมกับการยื่นข้อเสนอ หากการไฟฟ้าส่วนภูมิภาคตรวจสอบแล้วพบว่าเอกสารแสดงคุณสมบัติดังกล่าวไม่ถูกต้อง หรือไม่ครบถ้วน การไฟฟ้าส่วนภูมิภาค ขอสงวนสิทธิ์ที่จะพิจารณาไม่ให้คะแนนในแต่ละเกณฑ์นั้นๆ

ทั้งนี้รายการพัสดุดูอุปกรณ์ที่การไฟฟ้าส่วนภูมิภาคกำหนดให้ใช้เกณฑ์ราคาประกอบเกณฑ์อื่นในการพิจารณาจัดซื้อ รวมถึงสัดส่วนการคิดคะแนนระหว่างเกณฑ์ราคา และเกณฑ์อื่นจะถูกกำหนดไว้ในเอกสารที่เกี่ยวข้อง”

ข้อ ๔ กรณีการจัดซื้ออุปกรณ์ไฟฟ้าหลักสำหรับติดตั้งใช้งานในระบบสายส่ง 115 kV และระบบจำหน่าย 22 kV และ 33 kV อันได้แก่ หม้อแปลงไฟฟ้า รีโคลสเซอร์ เซอร์กิตเบรกเกอร์ อุปกรณ์ป้องกัน สวิตช์ อุปกรณ์ตัดตอน ลูกถ้วยไฟฟ้า สายไฟฟ้า หม้อแปลงกระแส (Current transformers) หม้อแปลงแรงดัน (Voltage transformers) รวมถึง มิเตอร์สำหรับวัดพลังงานไฟฟ้า การไฟฟ้าส่วนภูมิภาคขอสงวนสิทธิ์ที่จะส่งเจ้าหน้าที่ของการไฟฟ้าส่วนภูมิภาค หรือผู้แทนที่ได้รับการแต่งตั้งจากการไฟฟ้าส่วนภูมิภาคเข้าไปตรวจสอบกระบวนการผลิตและการควบคุมคุณภาพ ณ โรงงานผู้ผลิตก่อนการส่งมอบ โดยการไฟฟ้าส่วนภูมิภาคจะเป็นผู้ออกค่าใช้จ่ายในการเดินทาง และเบี้ยเลี้ยงของเจ้าหน้าที่ฯ หรือค่าจ้างผู้แทนฯ เท่านั้น

ข้อ ๕ การจัดซื้อหม้อแปลงไฟฟ้าสำหรับระบบจำหน่าย ผู้ที่ได้รับการสั่งซื้อต้องยินยอมให้ การไฟฟ้าส่วนภูมิภาค หรือผู้แทนที่ได้รับการแต่งตั้งจากการไฟฟ้าส่วนภูมิภาคเข้าไปตรวจสอบกระบวนการผลิต การควบคุมคุณภาพ และการทดสอบ ณ โรงงานผู้ผลิตก่อนการส่งมอบ โดยมีรายละเอียดและขั้นตอนที่ผู้ได้รับการสั่งซื้อต้องปฏิบัติตามเอกสารแนบจำนวน ๒ แผ่น โดยการไฟฟ้าส่วนภูมิภาคจะเป็นผู้ออกค่าใช้จ่ายในการเดินทาง และเบี้ยเลี้ยงของเจ้าหน้าที่ฯ หรือค่าจ้างผู้แทนฯ เท่านั้น

ข้อ ๖ กรณีพัสดุที่จะจัดซื้อเป็นรายการที่ ได้รับการรับรองตามกระบวนการ PEA Product Acceptance การไฟฟ้าส่วนภูมิภาคจะดำเนินการดังนี้

๖.๑ ในการพิจารณาทางเทคนิค หากผู้ยื่นข้อเสนอ เสนอผลิตภัณฑ์ที่ได้รับการรับรองตาม กระบวนการ PEA Product Acceptance ที่ยังไม่หมดอายุการรับรอง ให้แนบใบรับรองฯ ของการไฟฟ้าส่วน ภูมิภาค พร้อมเอกสารประกอบการเสนอราคา โดยไม่ต้องยื่นเอกสารทางเทคนิคอื่นๆ และคณะกรรมการ พิจารณาผลฯ ไม่ต้องพิจารณาเอกสารทางเทคนิค โดยให้ยึดตามใบรับรองฯ เท่านั้น

๖.๒ ในขั้นตอนการตรวจรับพัสดุที่จัดซื้อ หากพัสดुरายการใดเป็นพัสดุที่ไม่ได้รับการรับรอง ตามกระบวนการ PEA Product Acceptance ให้คณะกรรมการตรวจรับฯ ดำเนินการตรวจรับพัสดุดังกล่าว ตามขั้นตอน และวิธีการตรวจรับพัสดุของ การไฟฟ้าส่วนภูมิภาคที่บังคับใช้อยู่ ณ ปัจจุบัน

ทั้งนี้ หากพัสดुरายการใดได้รับการรับรองตามกระบวนการ PEA Product Acceptance ที่ยังไม่หมดอายุ การรับรองให้คณะกรรมการตรวจรับฯ ใช้เอกสารผลการทดสอบคุณภาพผลิตภัณฑ์จากผู้ผลิต และ Product DNA (เอกสารที่ช่วยในการตรวจสอบและคัดกรองผลิตภัณฑ์ในเบื้องต้น ซึ่งประกอบด้วยข้อมูล Type test และ รูปภาพส่วนประกอบต่างๆ ของผลิตภัณฑ์) เพื่อประกอบการตรวจรับพัสดุดังกล่าว โดยไม่ต้องสุ่มทดสอบอีก

๖.๓ ผู้ชนะการเสนอราคา หรือ คู่สัญญา จะต้องยื่นเอกสารแผนการผลิตและการควบคุม คุณภาพการผลิตให้ การไฟฟ้าส่วนภูมิภาค ซึ่งการไฟฟ้าส่วนภูมิภาคขอสงวนสิทธิ์ในการเข้าตรวจสอบในขั้นตอน การผลิต (In Process) หรือให้ผู้แทน รวมถึงหน่วยตรวจประเมินที่การไฟฟ้าส่วนภูมิภาค ให้การรับรองเข้า ดำเนินการดังกล่าว โดยค่าใช้จ่ายที่เกิดขึ้นเป็นของการไฟฟ้าส่วนภูมิภาค หากต้องการตรวจสอบซ้ำเนื่องจาก การตรวจสอบครั้งแรกไม่เป็นไปตามเงื่อนไข หรือหลักเกณฑ์ที่ การไฟฟ้าส่วนภูมิภาคกำหนด ผู้ชนะการเสนอ ราคา หรือ คู่สัญญาต้องเป็นผู้รับผิดชอบค่าใช้จ่ายที่เกิดขึ้นทั้งหมด

ข้อ ๗ กรณีผู้ยื่นข้อเสนอ เสนอผลิตภัณฑ์ที่เป็นเซอร์กิตเบรกเกอร์ สวิตช์ และอุปกรณ์ตัดตอนในระบบ จำหน่าย ผู้ยื่นข้อเสนอจะต้องดำเนินการ ดังนี้

๗.๑ เซอร์กิตเบรกเกอร์ ที่จะจัดซื้อตั้งแต่ระบบ 22 kV ขึ้นไป จะต้องมียุคสมบัติเป็นไปตาม รายละเอียดสเปค (Specifications) ของการไฟฟ้าส่วนภูมิภาค และต้องมีคุณสมบัติข้อใดข้อหนึ่ง ดังนี้

๗.๑.๑ ผลิตโดยผู้ผลิตที่มีประสบการณ์ในการผลิตอุปกรณ์ประเภทดังกล่าวมาแล้ว ไม่น้อยกว่า ๓ ปี และต้องเคยติดตั้งใช้งานโดยไม่มีปัญหาในสถานีไฟฟ้าของภาครัฐ และหรือเอกชนในประเทศที่ เชื้อถือได้ มาแล้วไม่น้อยกว่า ๑ แห่ง โดยกรณีนี้ ผู้ยื่นข้อเสนอ จะต้องยื่นเอกสารแสดงประวัติการขาย (Reference List) หรือ หนังสือรับรองจากลูกค้า มาพร้อมกับการยื่นข้อเสนอ หรือ

๗.๑.๒ เป็นผลิตภัณฑ์ที่ผ่านการขึ้นทะเบียนกับการไฟฟ้าส่วนภูมิภาคแล้ว ได้แก่ การ ขึ้นทะเบียน PEA Product Acceptance หรือ PEA Product list หรือการขึ้นทะเบียนอื่นๆ ที่ การไฟฟ้าส่วน ภูมิภาคกำหนด โดยกรณีนี้ ผู้ยื่นข้อเสนอ จะต้องยื่นหนังสือรับรองการขึ้นทะเบียนที่ ยังไม่หมดอายุ มาพร้อมกับการ ยื่นข้อเสนอ หรือ

๗.๑.๓ เป็นผลิตภัณฑ์ที่ผ่านการทดลองติดตั้งใช้งานในระบบของการไฟฟ้าส่วน ภูมิภาคสำนักงานใหญ่แล้ว โดยกรณีนี้ ผู้ยื่นข้อเสนอจะต้องยื่นเอกสารรับรองการผ่านการทดลองติดตั้งใช้งาน จากการไฟฟ้าส่วนภูมิภาค มาพร้อมกับการยื่นข้อเสนอ

๗.๒ สวิตช์ และอุปกรณ์ตัดตอนในระบบจำหน่ายที่จะจัดซื้อ ตั้งแต่ระบบ 22 kV ขึ้นไป อันได้แก่ Dropout fuse cutout, Disconnecting switches, Air break switches, Remote controlled switches (SF₆, gas load break switches). Automatic switching equipment for switching power capacitor bank และ Recloser จะต้องมีความสมบัติเป็นไปตามรายละเอียดสเปค (Specifications) ของการไฟฟ้าส่วนภูมิภาค และต้องมีคุณสมบัติข้อใดข้อหนึ่ง ดังนี้

๗.๒.๑ ผลิตโดยผู้ผลิตที่มีประสบการณ์ในการผลิตอุปกรณ์ประเภทดังกล่าวมาแล้ว ไม่น้อยกว่า ๓ ปี และต้องเคยติดตั้งใช้งานในระบบจำหน่ายมาแล้วไม่น้อยกว่า ๔๐๐ ชุด โดยกรณีนี้ ผู้ยื่นข้อเสนอ จะต้องยื่นเอกสารแสดงประวัติการขาย (Reference List) หรือ หนังสือรับรองจากลูกค้า มาพร้อมกับการยื่นข้อเสนอ หรือ

๗.๒.๒ เป็นผลิตภัณฑ์ที่ผ่านการขึ้นทะเบียนกับการไฟฟ้าส่วนภูมิภาคแล้ว ได้แก่ การขึ้นทะเบียน PEA Product Acceptance หรือ PEA Product List หรือการขึ้นทะเบียนอื่นๆ ที่การไฟฟ้าส่วนภูมิภาคกำหนด โดยกรณีนี้ ผู้ยื่นข้อเสนอ จะต้องยื่นหนังสือรับรองการขึ้นทะเบียนที่ยังไม่หมดอายุ มาพร้อมกับการยื่นข้อเสนอ หรือ

๗.๒.๓ เป็นผลิตภัณฑ์ที่ผ่านการทดลองติดตั้งใช้งานในระบบของการไฟฟ้าส่วนภูมิภาคสำนักงานใหญ่แล้ว โดยกรณีนี้ ผู้ยื่นข้อเสนอจะต้องยื่นเอกสารรับรองการผ่านการทดลองติดตั้งใช้งานจากการไฟฟ้าส่วนภูมิภาคมาพร้อมกับการยื่นข้อเสนอ

๗.๓ ผู้ยื่นข้อเสนอสามารถเสนอขายเซอร์กิตเบรกเกอร์ สวิตช์หรืออุปกรณ์ตัดตอนในระบบจำหน่าย จากผู้ผลิตที่ไม่มีคุณสมบัติตามที่ระบุไว้ในข้อ ๗.๑ หรือ ๗.๒ ดังกล่าวได้ แต่ต้องเป็นผู้ที่ผลิตภายใต้ใบอนุญาต (License) และจะต้องประทับตราเครื่องหมายการค้า (Brand-Name or Trade-mark) เดิมของผู้ให้ใบอนุญาตบนพัสดุ โดยผู้ให้ใบอนุญาต (Licensor) จะต้องมีคุณสมบัติตามข้อ ๗.๑.๑ หรือ ๗.๒.๑ แล้วแต่กรณี

โดยกรณีนี้ผู้ผลิตภายใต้ใบอนุญาตจะต้องทำการทดสอบเฉพาะแบบ (Design or Type tests) เซอร์กิตเบรกเกอร์ สวิตช์ หรืออุปกรณ์ตัดตอนในระบบจำหน่ายตามมาตรฐานที่กำหนดไว้ในรายละเอียดสเปค (Specification) ใหม่ทั้งหมด

ทั้งนี้ ผู้ยื่นข้อเสนอต้องยื่นใบอนุญาต (License) ที่ยังไม่หมดอายุ มาพร้อมกับการยื่นเอกสารแสดงประวัติการขาย (Reference List) หรือ หนังสือรับรองจากลูกค้า ของผู้ให้ใบอนุญาต (Licensor) มาพร้อมกับการยื่นข้อเสนอ

๗.๔ หากผู้ยื่นข้อเสนอ เสนอรายละเอียดไม่เป็นไปตามข้อ ๗.๑, ๗.๒ และ ๗.๓ ข้างต้น การไฟฟ้าส่วนภูมิภาคสงวนสิทธิ์ที่จะไม่จัดซื้อ

ข้อ ๘ กรณีที่อุปกรณ์ไฟฟ้าหลักสำหรับติดตั้งใช้งานในระบบสายส่ง 115 kV และระบบจำหน่าย 22 kV และ 33 kV อันได้แก่ หม้อแปลงไฟฟ้า รีโคลสเซอร์ เซอร์กิตเบรกเกอร์ อุปกรณ์ป้องกัน สวิตช์ อุปกรณ์ตัดตอน ลูกถ้วยไฟฟ้า สายไฟฟ้า หม้อแปลงกระแส (Current transformers) หม้อแปลงแรงดัน (Voltage transformers) รวมถึงมิเตอร์งานหมุนชนิด ๑ เฟส และ ๓ เฟสสำหรับวัดพลังงานไฟฟ้า ผลิตภัณฑ์ใดก็ตามที่การไฟฟ้าส่วนภูมิภาค จัดซื้อในแต่ละสัญญา และติดตั้งใช้งานภายในระยะเวลา ๒ ปี นับจากวันที่ การไฟฟ้าส่วนภูมิภาค มีหนังสือแจ้งผลการตรวจรับงวดสุดท้าย หรือภายในระยะเวลาอื่นตามที่รายละเอียดสเปค (Specification) กำหนด มีสถิติการชำรุดอันเนื่องมาจากคุณภาพของผลิตภัณฑ์ เกินกว่าเกณฑ์ที่กำหนดไว้ในรายละเอียดสเปค (Specification) หรือกำหนดไว้ในเงื่อนไขอื่นๆ ในขอบเขตของงาน (TOR) หรือกำหนดไว้ในสัญญาจัดซื้อ การไฟฟ้าส่วนภูมิภาคจะตัดสิทธิการเสนอราคาผลิตภัณฑ์ดังกล่าว และจะไม่จัดซื้อเป็นการชั่วคราว ทั้งในระหว่างการพิจารณาจัดซื้อ และที่จะประกาศจัดซื้อใหม่จนกว่าผู้ผลิตหรือ ผู้แทนจำหน่ายผลิตภัณฑ์นั้นๆ จะส่งแผนการปรับปรุงคุณภาพผลิตภัณฑ์ และดำเนินการแก้ไขให้เป็นที่ยอมรับจาก การไฟฟ้าส่วนภูมิภาคแล้ว

และต้องพินกำหนดระยะเวลา ๖ เดือน นับจากวันที่ การไฟฟ้าส่วนภูมิภาค มีหนังสือแจ้งตัดสิทธิการเสนอราคา ผลิตภัณฑ์ดังกล่าวด้วย

ทั้งนี้ เงื่อนไขดังกล่าวจะไม่มีผลใช้บังคับย้อนหลังไปถึงการจัดซื้อที่ยังไม่มีเงื่อนไขกำหนดไว้

ข้อ ๙ ผู้ชนะการเสนอราคาจะต้องแจ้งกำหนดวันส่งมอบพัสดุเป็นลายลักษณ์อักษรให้หน่วยงานจัดซื้อ และ/หรือ หน่วยงานที่จัดจัดส่งของการไฟฟ้าส่วนภูมิภาคทราบล่วงหน้าไม่น้อยกว่า ๓ วันทำการ เพื่อที่จะได้ กำหนดนัดวันตรวจรับต่อไปและจะต้องส่งมอบพัสดุระหว่างเวลา ๐๘.๓๐ น. ถึง ๑๒.๐๐ น. ของวันที่ทำการส่งมอบด้วย

ข้อ ๑๐ การตรวจสอบสภาพด้านทานของสายอลูมิเนียมหุ้มฉนวน การไฟฟ้าส่วนภูมิภาค ได้กำหนดแนวปฏิบัติ สำหรับการทดสอบสภาพด้านทานของสายอลูมิเนียมตีเกลียวหุ้มฉนวน ตาม มอก. ๒๕๓ ฉบับล่าสุด ดังนี้

๑๐.๑ การชักตัวอย่าง

คณะกรรมการตรวจรับการไฟฟ้าส่วนภูมิภาคจะสุ่มตัวอย่างสายไฟฟ้าที่ผลิตเสร็จเรียบร้อย (ตีเกลียวและหุ้มฉนวนแล้ว) และนำตัวอย่างมาทดสอบคุณสมบัติต่างๆ รวมทั้งการทดสอบสภาพด้านทานของสายไฟฟ้าด้วย ตามที่การไฟฟ้าส่วนภูมิภาคกำหนด

๑๐.๒ วิธีการทดสอบสภาพด้านทาน วิธีการทดสอบสภาพด้านทานเป็นไปตาม มอก. ๘๕ ฉบับล่าสุด โดยนำเฉพาะลวดตัวนำเส้นกลางมาหาค่าสภาพด้านทาน โดยวัดความต้านทานที่ อุณหภูมิห้อง แล้วปรับเป็นค่าที่อุณหภูมิ ๒๐ องศาเซลเซียส โดยวิธีการตาม มอก.กำหนด เพื่อนำไปคำนวณค่าสภาพด้านทานต่อไป

๑๐.๓ เกณฑ์ตัดสิน สายลวดอลูมิเนียมตีเกลียวจะถือว่าผ่านการทดสอบนี้ เมื่อมีค่าสภาพด้านทานไม่เกิน ค่าตามที มอก.๒๕๓ ฉบับล่าสุดกำหนดไว้

ข้อ ๑๑ พักติที่การไฟฟ้าส่วนภูมิภาคกำหนดให้มีการทดสอบเพื่อการตรวจรับในหัวข้อที่เป็นการทดสอบแบบทำลาย จนพัสดุไม่สามารถนำกลับมาใช้งานได้ คู่สัญญาจะต้องนำพัสดุใหม่มาทดแทนเพื่อให้ครบจำนวนตามที่ระบุไว้ในสัญญาก่อนการไฟฟ้าส่วนภูมิภาครับมอบพัสดุไว้ใช้งาน โดยการไฟฟ้าส่วนภูมิภาคจะมีหนังสือแจ้งให้ส่งของมาทดแทน ภายใน ๕ วันทำการนับจากวันที่ได้รับหนังสือแจ้ง หากคู่สัญญาไม่นำมาทดแทนภายในเวลาที่กำหนด การไฟฟ้าส่วนภูมิภาคจะคิดค่าปรับกรณีส่งของล่าช้าในอัตราร้อยละ ๐.๒๐ ของมูลค่าพัสดุนำมาทดแทน และผู้ขายต้องรับพัสดุที่ทดสอบแล้วชำรุดคืนกลับไป ภายใน ๓๐ วัน หลังจากได้นำพัสดุมาทดแทนให้การไฟฟ้าส่วนภูมิภาคแล้ว หากผู้ขายไม่ประสงค์จะรับพัสดุนำมาทำหนังสือแจ้งการไฟฟ้าส่วนภูมิภาคทราบเพื่อที่จะดำเนินการต่อไป

ข้อ ๑๒ การชำระราคาพัสดุที่ตกลงซื้อขายกันการไฟฟ้าส่วนภูมิภาคจะชำระภายในเวลา ๓๐ วัน นับถัดจากวันที่การไฟฟ้าส่วนภูมิภาคได้ทำการตรวจรับพัสดุที่คู่สัญญาส่งมอบถูกต้องเรียบร้อยแล้วในแต่ละงวด และห้ามคู่สัญญาโอนสิทธิเรียกร้องการรับเงินให้กับบุคคลภายนอก

ข้อ ๑๓ ผู้ชนะการเสนอราคาจะต้องรับประกันความชำรุดบกพร่องอันเนื่องมาจากการใช้งานตามปกติของพัสดุเป็นเวลาไม่น้อยกว่า ๑ ปี นับถัดจากวันที่การไฟฟ้าส่วนภูมิภาคได้รับมอบแล้ว เว้นแต่

๑๓.๑ ปูนซีเมนต์ปอร์ตแลนด์ประเภทเกิดแรงสูงเร็ว ต้องรับประกันคุณภาพเป็นเวลาไม่น้อยกว่า ๓๐ วัน นับถัดจากวันที่การไฟฟ้าส่วนภูมิภาคได้รับมอบแล้ว

๑๓.๒ พักติประเภทดังต่อไปนี้ต้องรับประกันคุณภาพเป็นเวลาไม่น้อยกว่า ๓ ปี เว้นแต่รายละเอียดสเปค (Specification) กำหนดระยะเวลารับประกันคุณภาพไว้มากกว่า ๓ ปี นับถัดจากวันที่การไฟฟ้าส่วนภูมิภาคได้รับมอบแล้ว ให้ถือระยะเวลารับประกันคุณภาพที่กำหนดไว้ในรายละเอียดสเปค

-On-load tap-changing power transformers for 115 kV subtransmission substation

- Three-phase automatic voltage regulators (AVR) for 22 kV and 33 kV 50 Hz distribution System
- Single-phase and Three-phase transformers for 22 kV and 33 kV 50 Hz distribution system with and without ability to withstand short circuit
- Remote controlled switches for 22 kV and 33 kV 50 Hz distribution system
- Solid dielectric three-phase automatic reclosers for 22 kV and 33 kV 50 Hz distribution System
- Automatic switching equipment for HV power capacitor Bank
- Single-phase and Three-phase electromechanical and electronic energy meters

๑๓.๓ พัสตุที่จะจัดซื้อเป็น Porcelain cable spacer with grip locks and High-Density Polyethylene (HDPE) cable spacers and snap-tie ต้องรับประกันคุณภาพเป็นเวลาไม่น้อยกว่า ๕ ปี นับถัดวันที่การไฟฟ้าส่วนภูมิภาคได้รับมอบแล้ว

ถ้าพัสตุเกิดความบกพร่องเนื่องจากพัสตุและหรือฝีมือไม่ดี ต้องรีบจัดการแก้ไขหรือเปลี่ยนใหม่ ให้รีบร้อยโดยไม่คิดมูลค่า ภายใน ๓๐ วัน นับถัดจากวันที่ได้รับแจ้งจากการไฟฟ้าส่วนภูมิภาค และหากความบกพร่องดังกล่าวเป็นเหตุให้เกิดความเสียหายหรือเกิดอุบัติเหตุใดๆขึ้น ผู้ชนะการเสนอราคาจะต้องรับผิดชอบค่าใช้จ่ายเสียหายทั้งหมด ตามข้อกำหนดทั่วไป และ/หรือรายละเอียดสเปค (Specification) จะกำหนดไว้ โดยไม่มีข้อโต้แย้งใดๆ

ในกรณีที่ผู้ชนะการเสนอการรับพัสตุไปแก้ไข หรือการไฟฟ้าส่วนภูมิภาคส่งมอบพัสตุให้ผู้ชนะการเสนอราคาไปดำเนินการแก้ไข และผู้ชนะการเสนอการส่งมอบพัสตุที่แก้ไขแล้วคืนเกินกำหนดเวลา ๓๐ วัน ผู้ชนะการเสนอราคาต้องขยายกำหนดเวลารับประกันความชำรุดบกพร่องเท่ากับจำนวนวันที่เกินจากกำหนด ๓๐ วัน โดยนับต่อจากวันครบกำหนดเวลารับประกันเดิม สำหรับกรณีที่แก้ไขแล้วเสร็จพ้นกำหนดเวลารับประกัน ให้ขยายกำหนดตามจำนวนวันที่เกินจากกำหนด ๓๐ วัน โดยนับต่อจากวันส่งมอบพัสตุที่แก้ไขเสร็จเรียบร้อยแล้ว แต่กรณี และยอมให้การไฟฟ้าส่วนภูมิภาคปรับเป็นรายวันในอัตรา ร้อยละ ๐.๐๔๑๐๙ ของราคาพัสตุรวมภาษีมูลค่าเพิ่ม ที่แก้ไขเกินกำหนด

ข้อ ๑๔ โครงการจัดซื้อจัดจ้างที่มีวงเงินตั้งแต่ ๕๐๐ ล้านบาทขึ้นไป รวมถึงการจัดซื้อจัดจ้างแบบเป็นกลุ่มประกวดราคา (Bid Group) ที่มีวงเงินตั้งแต่ ๕๐๐ ล้านบาทขึ้นไป (ตามประกาศคณะกรรมการความร่วมมือป้องกันการทุจริต เรื่อง มาตรฐานขั้นต่ำของนโยบายและแนวทางป้องกันการทุจริตในการจัดซื้อจัดจ้างที่ผู้ประกอบการ ต้องจัดให้มี ตามมาตรา ๑๙ แห่งพระราชบัญญัติการจัดซื้อจัดจ้างและการบริหารพัสดุภาครัฐ พ.ศ. ๒๕๖๐) ผู้เข้าร่วมการเสนอราคาจะต้องมีนโยบายและแนวทางการป้องกันการทุจริตในการจัดซื้อจัดจ้างพร้อมทั้ง ต้องแนบเอกสารหลักฐาน และแบบตรวจสอบข้อมูลของผู้ประกอบการที่จะเข้าร่วมการเสนอราคาในโครงการที่มีวงเงินตั้งแต่ ๕๐๐ ล้านบาทขึ้นไป ประกอบเป็นเอกสารการเสนอราคา โดยผู้ประกอบการจะต้องมีการดำเนินการตามแบบตรวจสอบข้อมูลครบถ้วนทุกข้อจึงจะผ่านการพิจารณาคุณสมบัติของ ผู้เสนอราคา

ทั้งนี้เงื่อนไขตามข้อ ๑๔ ดังกล่าวจะเริ่มใช้ตั้งแต่วันที่ ๕ กุมภาพันธ์ ๒๕๖๒ เป็นต้นไป

ข้อ ๑๕ โครงการจัดซื้อจัดจ้างที่มีวงเงินตั้งแต่ ๑,๐๐๐ ล้านบาทขึ้นไป จะต้องดำเนินการตามประกาศคณะกรรมการความร่วมมือป้องกันการทุจริต (ค.ป.ท.) เรื่องแนวทางและวิธีการในการดำเนินงานโครงการความร่วมมือป้องกันการทุจริตในการจัดซื้อจัดจ้างภาครัฐ แบบของข้อตกลงคุณธรรม การคัดเลือกผู้สังเกตการณ์ และการจัดทำรายงานตามมาตรา ๑๗ และ มาตรา ๑๘ แห่งพระราชบัญญัติการจัดซื้อจัดจ้างและการบริหารพัสดุภาครัฐ พ.ศ. ๒๕๖๐ และได้รับ คัดเลือก จากคณะกรรมการความร่วมมือป้องกันการทุจริต (ค.ป.ท.) ให้จัดทำข้อตกลงคุณธรรม (integrity pact :IP)

ผู้ประสงค์จะเข้าร่วมการเสนอราคาในโครงการจัดทำข้อตกลงคุณธรรมจะต้องลงนามในข้อตกลงคุณธรรมซึ่งเป็นเอกสารที่ยื่นพร้อมกับเอกสารเสนอราคา หากไม่ลงนามในข้อตกลงคุณธรรมจะไม่มีสิทธิเข้าร่วมการเสนอราคาในโครงการนั้น

เงื่อนไขการส่งมอบ

สถานที่ส่งมอบ ณ คลังพัสดุการไฟฟ้าส่วนภูมิภาคจังหวัดยโสธร

ระยะเวลาส่งมอบ ตามจำนวนและรายการ กำหนดส่งของแล้วเสร็จภายใน 60 วัน นับถัดจากวันที่ลงนามในสัญญาซื้อขาย โดยส่งเป็นงวด ดังนี้

งวดที่ 1 ส่งมอบภายใน 30 วัน นับถัดจากวันที่ลงนามในสัญญาซื้อขาย

งวดที่ 2 ส่งมอบภายใน 60 วัน นับถัดจากวันที่ลงนามในสัญญาซื้อขาย

รายการ ที่	รหัสพัสดุ	รายการ	หน่วย	จำนวน ซื้อ	กำหนดส่งมอบ	
					งวด 1	งวด 2
ประกวดราคา เลขที่ ปอ.กบญ.ฉ.2 พัสดูลัก 201/2566						
1	1060050019	METER (E) WATTHOUR 1P 5(100) A O/D BLE	EA	17,562	8,781	8,781