

Invitation to Bid No. : น.3กบญ.(จช.)EB2/2566

Specification No. : RHDW-011/2556

C Material, equipment, and specifications for OVERHEAD LINE HARDWARE

C1 General material and packing instructions

Additional to the general instructions, the following shall be observed :

1a Scope

These specifications cover line hardware for overhead line construction.

1b Standard

The overhead line hardware shall be in accordance with the latest TIS, VDE Regulations, DIN, and PEA Drawings attached to these specifications, or equivalent.

1c Principal requirement

The overhead line hardware shall be marked with manufacturer's name or trademark, except full thread double arming bolts, full thread stubbing bolts, and washers.

All ferrous materials shall be galvanized after manufacturing. Method of galvanizing and thickness of coating shall be according to the attached Table "THICKNESS OF ZINC COATING". Free samples shall be supplied on request. The samples will not be returned.

1d Packing

Each item should be packed in suitable packages in sets or pieces of 10, 50, 100, or that specified in Table "Packing Details for Overhead Line Hardware" (see page 3 of 3).

The gross weight of each package should not exceed 40 kg.

If there are several packages, the number of package shall be stamped on each package or each tag, as follows :

package number / total number of packages.

C2 Material and packing data to be given by bidder

2a For each item offered, the following details shall be submitted with the bid :

Catalogue number.

Description of materials used for the component parts.

Surface finishing of the component parts.

Zinc coating in g/m^2 or μm ($1 \mu\text{m} = 0.001 \text{ mm}$).

Minimum breaking strength in kgf.

Weight in kg/set or piece.

2b For each item offered, a detail drawing with dimensions in mm shall be submitted with the bid.

2c Packing details

Packing method.

Number of sets or pieces in each package.

Dimensions of each package in cm.

Gross weight of each package in kg (should not exceed 40 kg).

Net weight of each package in kg.

Number of packages.

If several packages are contained in one big case, further details are required :

Number of packages in each case.

Dimensions of each case in cm.

Gross weight of each case in kg.

Number of cases.

Table

Packing Details for Overhead Line Hardware

PEA Material No.	Quantity Per Package	Packing Method
00120004, 01000103	18	Bundle
01200001, 01200002	20	Bundle
01010100, 01200004, 01200005	50	Bundle
01200007	150 (15 per layer)	Bundle
01110200, 01110201, 01140000, 01170001, 01180001	150	Sack
01110202, 01110203	100	Sack
01110204, 01110205, 01140001, 01140002	75	Sack
01110206, 01110207, 01110208, 01110401, 01120000, 01120001, 01120002, 01130000, 01130001, 01130002, 01140003	50	Sack
01180100, 01180201	500	Sack
01180301	5,000	Sack
02440102	30	Sack
02440103	60	Sack



PROVINCIAL ELECTRICITY AUTHORITY

TECHNICAL SPECIFICATION DIVISION

PACKING DETAIL

Specification No.: -

Approved date: 14/08/2558

Rev. No.: -

Form No. -

Page 1 of 3

Addendum

This addendum is made to be a part of specifications it's attached.

1. Replace the packing detail only for the specific items in the specifications by the packing detail specified in

Table A1 below:

Table A1: Packing Detail

Item	Equipment	PEA's material No.	Packing method	Quantity per package/case	Number of packages/cases per pallet
Connectors and cable accessories:					
1	Hot line bail clamp (hot line stirrup clamp), for main aluminium conductor size 25 mm ² to 50 mm ²	1-02-033-0000	Sealed package	40	49
2	Hot line protected thread clamp for main aluminium conductor size 25 mm ² to 50 mm ²	1-02-033-0100	Sealed package	50	100
3	Hot line protected thread clamp for main aluminium conductor size 50 mm ² to 120 mm ²	1-02-033-0101	Sealed package	50	50
4	Compression splicing sleeve, full tension, for aluminium conductor size 50 mm ²	1-02-040-0002	Suitable package	100	100
5	Compression splicing sleeve, full tension, for aluminium conductor size 95 mm ²	1-02-040-0004	Suitable package	50	100
6	Compression splicing sleeve, full tension, for aluminium conductor size 185 mm ²	1-02-040-0007	Suitable package	30	50
7	Compression splicing sleeve, full tension, for aluminium conductor size 400 mm ²	1-02-040-0009	Suitable package	30	50
8	Compression splicing sleeve, partial tension, for aluminium conductor size 50 mm ²	1-02-041-0002	Suitable package	100	100
9	Terminal connector (lug), compression type, for aluminium conductor size 185 mm ²	1-02-041-0106	Suitable package	50	50
10	Pin terminal, for aluminium conductor size 50 mm ²	1-02-042-0400	Suitable package	50	100
Overhead line hardware:					
11	Angle steel crossarm, size 150x100x12 mm, length 4,500 mm	1-00-012-0002	Bundle	10	-
12	Channel steel crossarm, size 100x50x5 mm, length 4,200 mm	1-01-000-0103	Bundle	20	-
13	Channel steel crossarm, size 100x50x5 mm, length 4,500 mm	1-01-000-0104	Bundle	20	-
14	Channel steel crossarm, size 150x75x6 mm, length 2,800 mm	1-01-000-0300	Bundle	20	-
15	Channel steel crossarm, size 150x75x6.5 mm, length 4,000 mm	1-01-000-0301	Bundle	20	-



PROVINCIAL ELECTRICITY AUTHORITY

TECHNICAL SPECIFICATION DIVISION

PACKING DETAIL

Specification No.: -

Approved date: 14/08/2558

Rev. No.: -

Form No. -

Page 2 of 3

Item	Equipment	PEA's material No.	Packing method	Quantity per package/case	Number of packages/cases per pallet
16	Channel steel beam, size 150x75x6.5 mm, length 4,500 mm	1-01-000-0302	Bundle	20	-
17	Channel steel beam, size 150x75x6.5 mm, length 6,000 mm	1-01-000-0303	Bundle	20	-
18	Channel steel beam, size 150x75x6.5 mm, length 2,500 mm	1-01-000-0304	Bundle	20	-
19	Channel steel crossarm, size 150x75x9 mm, length 3,000 mm	1-00-012-0004	Bundle	20	-
20	Angle steel beam, size 65x65x6 mm, length 1,000 mm	1-01-001-0000	Bundle	100	-
21	Bolt, machine, M 16 x 170 mm	1-01-011-0201	Sack	100	56
22	Bolt, machine, M 16 x 300 mm	1-01-011-0204	Sack	80	56
23	Bolt, machine, M 16 x 350 mm	1-01-011-0205	Sack	80	56
24	Bolt, machine, M 16 x 450 mm	1-01-011-0207	Sack	40	56
25	Bolt, machine, M 16 x 500 mm	1-01-011-0208	Sack	40	50
26	Bolt, machine, M 16 x 600 mm	1-01-011-0209	Sack	40	50
27	Bolt, machine, hexagon head, M 16 x 75 mm	1-01-011-0400	Sack	200	56
28	Bolt, machine, hexagon head, M 16 x 550 mm	1-01-011-0401	Sack	40	50
29	Bolt, machine, hexagon head, M 16 x 600 mm	1-01-011-0402	Sack	40	50
30	Bolt, machine, hexagon head, M 16 x 650 mm	1-01-011-0403	Sack	30	50
31	Bolt, double arming, full thread, M 16 x 450 mm	1-01-012-0001	Sack	40	50
32	Bolt, double arming, full thread, M 16 x 500 mm	1-01-012-0002	Sack	40	50
33	Bolt, double arming, full thread, M 16 x 550 mm	1-01-012-0003	Sack	40	50
34	Bolt, double arming, full thread, M 16 x 600 mm	1-01-012-0004	Sack	40	50
35	Bolt, double arming, full thread, M 16 x 650 mm	1-01-012-0005	Sack	30	50
36	Bolt, double arming eye, M 16 x 450 mm	1-01-013-0001	Sack	40	56
37	Bolt, double arming eye, M 16 x 500 mm	1-01-013-0002	Sack	40	50
38	Bolt, double arming eye, M 16 x 650 mm	1-01-013-0005	Sack	30	50
39	Bolt, round eye, M 16 x 200 mm	1-01-014-0001	Sack	80	56
40	Bolt, round eye, M 16 x 250 mm	1-01-014-0002	Sack	80	56
41	Bolt, round eye, M 16 x 300 mm	1-01-014-0003	Sack	50	56
42	Bolt, oval eye, M 16 x 150 mm	1-01-015-0000	Sack	80	56
43	Bolt, oval eye, M 16 x 200 mm	1-01-015-0001	Sack	80	56
Insulators and accessories:					
44	Insulator, pin-post type, TIS 1251, Type 56/57-2	1-03-001-0101	Export package	2	30
45	Clevis-eye	1-03-014-0000	Suitable package	40	56
46	Ball-clevis, ANSI Type K	1-03-014-0001	Suitable package	30	56



PROVINCIAL ELECTRICITY AUTHORITY

TECHNICAL SPECIFICATION DIVISION

PACKING DETAIL

Specification No.: -

Approved date: 14/08/2558

Rev. No.: -

Form No. -

Page 3 of 3

Item	Equipment	PEA's material No.	Packing method	Quantity per package/case	Number of packages/cases per pallet
47	Ball-hook, ANSI Type B	1-03-014-0002	Suitable package	40	56
48	Ball-clevis, ANSI Type B	1-03-014-0005	Suitable package	40	56
Surge arresters:					
49	LV surge arrester, 480 V, 5 kA	1-04-000-0300	Suitable package	100	5
Meters:					
50	Watt-hour meter, 15(45) A, 3-phase 4-wire	1-06-005-0107	Suitable corrugate-paper package	50	-
51	Watt-hour meter, 30(100) A, 3-phase 4-wire	1-06-005-0108	Suitable corrugate-paper package	50	-

2. Sacks used for packing equipment shall have enough durability and shall be made of hemp rope.
3. Bundle packing shall be using galvanized steel wires with diameter not less than 4 mm.
4. Pallets supplied to PEA shall have dimension not more than 1.1 m x 1.1 m (Width x Length) and the total height after containing the packages/cases shall be less than 1.5 m.

invitation to Bid No. : น.3กบญ.(จช.)EB2/2566

Specification No. : RHDW-011/2556

C3 Schedule of detailed requirement

Item	PEA Material No.	Quantity	Description
1	01200001 (1010200001)	4,950	Brace, flat, for crossarm, of flat steel 30x6x760 mm, see Drawing No. K 31-09063.
2	01200002 (1010200002)		Ditto as Item 1, but 40x6x1,000 mm, see Drawing No. K 31-09063.
3	01200003 (1010200003)		Ditto as Item 1, but 50x10x1,950 mm, see Drawing No. SA2-015/39005.
4	01200004 (1010200004)		Brace, alley arm, of angle steel, 40x40x5 mm, 2,120 mm long, see Drawing No. K 31-09064.
5	01200005 (1010200005)		Ditto as Item 4, but 50x50x6 mm, 2,350 mm long, see Drawing No. K 31-09064.
6	01200007 (1010200007)		Brace, for crossarm, of hot-rolled equal angle steel, 50x50x6 mm, 1,800 mm wide, 450 mm drop, hot-dip galvanized not less than 50 micrometer, see Drawing No. SB1-015/22014.
7	01110000 (1010110000)		Bolt, machine, of mild steel, square head, similar to DIN 601, M 8, 25 mm long, length of thread 22 mm, complete with one (1) square nut, see Drawing No. I50-015/140367.
8	01110101 (1010110101)		Ditto as Item 7, but M 12, 50 mm long, length of thread 40 mm, see Drawing No. I50-015/140367.
9	01110200 (1010110200)	7,242	Ditto as Item 7, but M 16, 130 mm long, length of thread 35 mm, see Drawing No. K31-09072.
10	01110201 (1010110201)	6,070	Ditto as Item 7, but M 16, 170 mm long, length of thread 50 mm, see Drawing No. K31-09072.
11	01110202 (1010110202)	105,600	Ditto as Item 7, but M 16, 200 mm long, length of thread 50 mm, see Drawing No. K31-09072.

Invitation to Bid No. : น.3กบญ.(จช.)EB2/2566

Specification No. : RHDW-011/2556

C3 Schedule of detailed requirement

Item	PEA Material No.	Quantity	Description
12	01110203 (1010110203)	129,069	Ditto as Item 7, but M 16, 250 mm long, length of thread 75 mm, see Drawing No. K31-09072.
13	01110204 (1010110204)		Ditto as Item 7, but M 16, 300 mm long, length of thread 75 mm, see Drawing No. K31-09072.
14	01110205 (1010110205)	10,800	Ditto as Item 7, but M 16, 350 mm long, length of thread 75 mm, see Drawing No. K31-09072.
15	01110206 (1010110206)	3,250	Ditto as Item 7, but M 16, 400 mm long, length of thread 100 mm, see Drawing No. K31-09072.
16	01110207 (1010110207)	706	Ditto as Item 7, but M 16, 450 mm long, length of thread 100 mm, see Drawing No. K31-09072.
17	01110208 (1010110208)	360	Ditto as Item 7, but M 16, 500 mm long, length of thread 150 mm, see Drawing No. K31-09072.
18	01110209 (1010110209)	40	Ditto as Item 7, but M 16, 600 mm long, length of thread 200 mm.
19	01110300 (1010110300)		Ditto as Item 7, but M 20, 350 mm long, length of thread 100 mm.
20	01110301 (1010110301)		Ditto as Item 7, but M 20, 400 mm long, length of thread 100 mm, see Drawing No. SBI-015/22017.
21	01110302 (1010110302)		Ditto as Item 7, but M 20, 450 mm long, length of thread 100 mm, see Drawing No. SBI-015/22017.
22	01110303 (1010110303)		Ditto as Item 7, but M 20, 550 mm long, length of thread 150 mm, see Drawing No. SBI-015/22017.
23	01110400 (1010110400)		Bolt, machine, of mild steel, hexagon head, similar to DIN 601, M 16, 75 mm long, length of thread 75 mm; complete with one (1) hexagon nut, one (1) lock nut, and two (2) round washers, similar to DIN 555, DIN 936, and DIN 126 respectively; see Drawing No. SA2-015/39019 .

Invitation to Bid No. : น.3กบญ.(จช.)EB2/2566

Specification No. : RHDW-011/2556

C3 Schedule of detailed requirement

Item	PEA Material No.	Quantity	Description
24	01110401 (1010110401)		Bolt, machine, of mild steel, hexagon head, similar to DIN 601. M 16, 550 mm long, length of thread 150 mm; complete with one (1) hexagon nut, one (1) lock nut, and two (2) round washers, similar to DIN 555, DIN 936, and DIN 126 respectively; see Drawing No. S 01-015/18035 .
25	01110402 (1010110402)		Ditto as Item 24, but M 16, 600 mm long, length of thread 150 mm, see Drawing No. S01-015/18035 .
26	01110403 (1010110403)		Ditto as Item 24, but M 16, 650 mm long, length of thread 150 mm, see Drawing No. SA2-015/39019 .
27	01120000 (1010120000)		Bolt, double arming, full thread, of mild steel, M 16, 400 mm long, complete with four (4) square nuts. see Drawing No. K31-09069
28	01120001 (1010120001)		Ditto as Item 27, but M 16, 450 mm long, see Drawing No. K31-09069.
29	01120002 (1010120002)		Ditto as Item 27, but M 16, 500 mm long, see Drawing No. K31-09069.
30	01120003 (1010120003)		Ditto as Item 27, but M 16, 550 mm long.
31	01120004 (1010120004)		Ditto as Item 27, but M 16, 600 mm long, see Drawing No. K31-09069.
32	01120005 (1010120005)		Ditto as Item 27, but M 16, 650 mm long.
33	01130000 (1010130000)		Bolt, double arming eye, of mild steel, forged round eye having 22 mm diameter hole, M 16, 400 mm long, length of thread 350 mm; complete with three (3) square nuts, minimum breaking strength not less than 5,000 kgf; see Drawing No. S 01-015/17007 .
34	01130001 (1010130001)	480	Ditto as Item 33, but M 16, 450 mm long, length of thread 400 mm, see Drawing No. S 01-015/17007.

Invitation to Bid No. : น.3กบญ.(จช.)EB2/2566

Specification No. : RHDW-011/2556

C3 Schedule of detailed requirement

Item	PEA Material No.	Quantity	Description
35	01130002 (1010130002)	240	Ditto as Item 33, but M 16, 500 mm long, length of thread 450 mm, see Drawing No. S 01-015/17007.
36	01130003 (1010130003)	1,170	Ditto as Item 33, but M 16, 600 mm long, length of thread 550 mm, see Drawing No. S 01-015/17007.
37	01130004 (1010130004)		Ditto as Item 33, but M 16, 550 mm long, length of thread 500 mm, see Drawing No. S 01-015/17007.
38	01130005 (1010130005)		Ditto as Item 33, but M 16, 650 mm long, length of thread 600 mm, see Drawing No. S 01-015/17007.
39	01140000 (1010140000)		Bolt, round eye, of mild steel, forged round eye having 22 mm diameter hole, M 16, 100 mm long, length of thread 75 mm; complete with two (2) square nuts, minimum breaking strength not less than 5,000 kgf, see Drawing No. S 01-015/19041.
40	(1010140001)		Ditto as Item 39, but M 16, 150 mm long, length of thread 100 mm, see Drawing No. SA2-015/39018 .
41	01140001 (1010140001)		Ditto as Item 39, but M 16, 200 mm long, length of thread 150 mm, see Drawing No. S 01-015/19041 .
42	01140002 (1010140002)		Ditto as Item 39, but M 16, 250 mm long, length of thread 200 mm, see Drawing No. S 01-015/19041 .
43	01140003 (1010140003)		Ditto as Item 39, but M 16, 300 mm long, length of thread 250 mm, see Drawing No. S 01-015/19041 .

Invitation to Bid No. : น.3กบญ.(จช.)EB2/2566

Specification No. : RHDW-011/2556

C3 Schedule of detailed requirement

Item	PEA Material No.	Quantity	Description
44	01150000 <u>C1010150000</u>		Bolt, oval eye, forged steel, M 16, 150 mm long, length of thread 100 mm, complete with one(1) square nut, minimum breaking strength not less than 6,500 kgf, see Drawing No. SBI-015/22018.
45	01150001 <u>C1010150001</u>		Ditto as Item 44, but M 16, 200 mm long, length of thread 150 mm, see Drawing No. SBI-015/22018.
46	01150002 <u>C1010150002</u>		Ditto as Item 44, but M 16, 350 mm long, length of thread 150 mm, see Drawing No. SBI-015/22018.
47	01150100 <u>C1010150100</u>		Ditto as Item 44, but M 20, 350 mm long, length of thread 150 mm, minimum breaking strength not less than 12,000 kgf, see Drawing No. SBI-015/22019.
48	01150101 <u>C1010150101</u>		Ditto as Item 44, but M 20, 450 mm long, length of thread 200 mm, minimum breaking strength not less than 12,000 kgf, see Drawing No. SBI-015/22019.
49	01160000 <u>C1010160000</u>		Bolt, stubbing, full thread, of mild steel, M 24, 600 mm long, complete with four (4) square nuts and two (2) flat washers 72x72x6 mm, 26 mm diameter hole.
50	01160001 <u>C1010160001</u>		Ditto as Item 49, but M 24, 800 mm long .
51	01160002 <u>C1010160002</u>	1,000	Ditto as Item 49, but M 24, 1,000 mm long .
52	01160003 <u>C1010160003</u>		Ditto as Item 49, but M 24, 1,250 mm long .
53	01160004 <u>C1010160004</u>		Ditto as Item 49, but M 24, 1,600 mm long .
54	01180001 <u>C1010180001</u>	750	Nut, eye, of mild steel, similar to DIN 582, forged eye 35 mm in diameter, thread for bolt M 16, minimum breaking strength not less than 5,000 kgf, see Drawing No. S 01-015/16004 .
55	01180002 <u>C1010180002</u>		Eyelet, according to NEMA standards or equivalent, minimum breaking strength not less than 8,320 kgf, see Drawing No. SBI-015/22028.

Invitation to Bid No. : น.3กบญ.(จช.)EB2/2566

Specification No. : RHDW-011/2556

C3 Schedule of detailed requirement

Item	PEA Material No.	Quantity	Description
56	01180003 (1010180003)	500,827	Nut, eye, thimble, forged steel, thread for bolt M 16, minimum breaking strength not less than 6,500 kgf, see Drawing No. SBI-015/22029.
57	01180004 (1010180004)		Ditto as Item 56, but thread for bolt M 20, minimum breaking strength not less than 8,200 kgf, see Drawing No. SBI-015/22029.
58	01180100 (1010180100)		Washer, square, flat, of steel, according to Table 6 of TIS 258, nominal size 16 ($18 \begin{smallmatrix} +0.7 \\ 0 \end{smallmatrix}$ mm diameter hole), 52x52x4.5 mm.
59	01180101 (1010180101)		Ditto as Item 58, but nominal size 20 ($22 \begin{smallmatrix} +0.8 \\ 0 \end{smallmatrix}$ mm diameter hole), 62 x 62 x 6 mm.
60	01180102 (1010180102)		Ditto as Item 58, but nominal size 24 ($26 \begin{smallmatrix} +0.8 \\ 0 \end{smallmatrix}$ mm diameter hole), 72 x 72 x 6 mm.
61	01180103 (1010180103)		Ditto as Item 58, but nominal size 12 ($14 \begin{smallmatrix} +0.7 \\ 0 \end{smallmatrix}$ mm diameter hole), 40 x 40 x 3.2 mm.
62	01180200 (1010180200)	400	Washer, square, curved, of mild steel, dimensions 50x50x5 mm, 18 mm diameter hole, see Drawing No. K 31-09073.
63	01180201 (1010180201)		Ditto as Item 62, but dimensions 60 x 60 x 5 mm, 22 mm diameter hole, see Drawing No. K31-09073 .
64	01180300 (1010180300)		Washer, lock, of spring steel, according to Table 1 of TIS 259, nominal size 12 ($12.2 \begin{smallmatrix} +0.6 \\ 0 \end{smallmatrix}$ mm diameter hole), 21.5 mm maximum outside diameter, 3.0 mm minimum thick.
65	01180301 (1010180301)		Ditto as Item 64, but nominal size 16 ($16.2 \begin{smallmatrix} +0.8 \\ 0 \end{smallmatrix}$ mm diameter hole), 28.0 mm. maximum outside diameter, 4.0 mm minimum thick.

Invitation to Bid No. :

Specification No. : RHDW-011/2556

C3 Schedule of detailed requirement

Item	PEA Material No.	Quantity	Description
66	01180302 <u>C1010180302</u>		Ditto as Item 64, but nominal size 20 ($20.2 \begin{smallmatrix} +0.8 \\ 0 \end{smallmatrix}$ mm diameter hole), 33.8 mm. maximum outside diameter, 5.1 mm minimum thick.
67	01180303 <u>C1010180303</u>		Ditto as Item 64, but nominal size 24 ($24.5 \begin{smallmatrix} +1.0 \\ 0 \end{smallmatrix}$ mm diameter hole), 40.3 mm. maximum outside diameter, 5.9 mm minimum thick.
68	01050000 <u>C1010050000</u>		Pipe, steel, nominal size 20 (26.9 ± 0.4 mm outside diameter), wall thickness not less than 2.27 mm, 100 mm long, without thread on both ends, hot-dip galvanized not less than 65 μm ; or pipe from galvanized steel pipe, Type 2, in accordance with TIS 277 shall be accepted.
69	01050002 <u>C1010050002</u>		Ditto as Item 68, but 150 mm long.
70	01000100 <u>C1010000100</u>		Alley arm, of channel steel, 100x50x5 mm, 2,250 mm long, see Drawing No. SB1-015/31004. ให้ใช้สเปค RHDW-004/2550 Item 1 แทน
71	00120004 <u>C1000120004</u>		Crossarm, of channel steel, 150x75x9 mm, 3,000 mm long, see Drawing No. SA2-015/39005.
72	01000400 <u>C1010000400</u>		Channel steel beam, according to Table 4 of TIS 1227, with : Nominal size : 200 x 80 x 7.5 mm Length : 1,000 mm Punched holes/slots, and fabricated as shown in Drawing No. SA2-015/23010.
73	01010000 <u>C1010010000</u>		Angle steel beam, according to Table 2 of TIS 1227, with : Nominal size : 65x65x6 mm Length : 1,000 mm Punched holes/slots, and fabricated as shown in Drawing No. SA2-015/23009.

Invitation to Bid No. :

Specification No. : RHDW-011/2556

C3 Schedule of detailed requirement

Item	PEA Material No.	Quantity	Description
74	01030102 (1010030102)		Plate, steel double arming, 12x100 mm, 760 mm long, see Drawing No. SA2-015/28002.
75	03140011 (1030140011)		Thimble clevis, pressed steel, minimum breaking strength not less than 900 kgf, see Drawing No. S01-015/19058.
76	03140013 (1030140013)		Plate spacer, of mild steel, minimum ultimate strength not less than 16,500 kgf, see Drawing No. SB1-015/22042.
77	01030002 (1010030002)		Plate, steel, 6x100 mm, 450 mm long, see Drawing No. SB1-015/22015.
78	01030100 (1010030100)		Plate, steel, double arming, 12x100 mm, 650 mm long, see Drawing No. SB1-015/22016.
79	02440102 (1020440102)		Clamp, guy, triple bolt, suitable for steel stranded wire 50-95 mm ² , see Drawing No. SA2-015/23024.
80	02440103 (1020440103)		Link for cable spacer, 9.0 mm diameter steel round bar, see Drawing No. SA2-015/23024.
81	02440112 (1020440112)		Bracket, of channel steel, 100x50x5 mm, for aerial cable corner support, see Drawing No. SB3-015/64004.
82	01000106 (1010000106)		Crossarm, of channel steel, according to Table 4 of TIS 1227, with : Nominal size : 100 x 50 x 5 mm Length : 2,500 mm Punched holes, and fabricated as shown in Drawing No. SA2-015/39025.

Invitation to Bid No. :

Specification No. : RHDW-011/2556

C3 Schedule of detailed requirement

Item	PEA Material No.	Quantity	Description
83	01000201 (010000201)		Ditto as Item 82, but Nominal size : 125 x 65 x 6 mm Length : 3,000 mm Punched holes, and fabricated as shown in Drawing No. SA4-015/39025.
84	01110404 (0101010404)		Bolt, machine, of mild steel, hexagon head, similar to DIN 601, M 16, 50 mm long, length of thread 40 mm : complete with one (1) hexagon nut, and two (2) round washers, similar to DIN 555, and DIN 126 respectively: see Drawing No. SA2-015/40001.
85	02200106 (020200106)		Vibration damper, dumbbells type (stockbridge), for overhead ground wire diameter range 9.0 - 10.0 mm (Steel stranded wire 50 mm ²), approximate total weight 1.6 kg (3.5 pounds).
86	02200107 (020200107)		Vibration damper, dumbbells type (stockbridge), for conductor diameter range 27.0 - 29.0 mm (ACSR conductor 380/50 mm ²), approximate total weight 7.3 kg (16 pounds).
			Note :
			1. Pitches of steel bolts and nuts shall be according to the attached "Nominal Thread Diameters and Pitches of Steel Bolts and Nuts".
			2. Dimensions and tolerances of M 16 machine bolts shall be as specified in the attached "Dimensions and Tolerances of M 16 Machine Bolts".
			3. ONLY threads of steel bolt and nut shall meet acceptance tests specified in the attached "Acceptance Tests for Threads of Steel Bolt, Anchor Rod, and Nut".

Invitation to Bid No. 1.300000.(98.)EB2/2566

Specification No.: RHDW-011/2556

C4 Price schedule

Manufacturer :

Trade-mark :

Country of Origin:

Bidder :

Bid No. :

Date :

Item	PEA Material No.	Catalogue No.	Description	Quantity	Unit Cost (See details & conditions attached)	Total Cost (See details & conditions attached)
1	01200001 C1010200001		Brace, flat, for crossarm, of flat steel 30x6x760 mm .	4,950		
2	01200002 C1010200002		Ditto as item 1, but 40x6x1,000 mm .			
3	01200003 C1010200003		Ditto as item 1, but 50x10x1,950 mm .			
4	01200004 C1010200004		Brace, alley arm, of angle steel, 40x40x5 mm, 2,120 mm long .			
5	01200005 C1010200005		Ditto as item 4, but 50x50x6 mm, 2,350 mm long .			
6	01200007 C1010200007		Brace , for crossarm , of hot - rolled equal angle steel , 50x50x6 mm, 1,800 mm wide , 450 mm drop , hot - dip galvanized not less than 50 micrometer, see Drawing No. SB1-015/22014			
7	01110000 C1010110000		Bolt, machine, M 8x 25 mm, complete with one (1) square nut .	7,242		
8	01110101 C1010110101		Ditto as Item 7, but M 12x 50 mm			
9	01110200 C1010110200		Ditto as Item 7, but M 16x130 mm			

Invitation to Bid No. น.3กบญ.(จช.)EB2/2566

Specification No.: RHDW-011/2556

C4 Price schedule

Manufacturer :
 Trade-mark :
 Country of Origin :
 Bidder :
 Bid No. :
 Date :

Item	PEA Material No.	Catalogue No.	Description	Quantity	Unit Cost (See details & conditions attached)	Total Cost (See details & conditions attached)
10	01110201 <u>C1010110201</u>		Ditto as Item 7, but M 16x170 mm	6,070		
11	01110202 <u>C1010110202</u>		Ditto as Item 7, but M 16x200 mm	105,600		
12	01110203 <u>C1010110203</u>		Ditto as Item 7, but M 16x250 mm.	129,069		
13	01110204 <u>C1010110204</u>		Ditto as Item 7, but M 16x300 mm.	10,800		
14	01110205 <u>C1010110205</u>		Ditto as Item 7, but M 16x350 mm.	3,250		
15	01110206 <u>C1010110206</u>		Ditto as Item 7, but M 16x400 mm.	706		
16	01110207 <u>C1010110207</u>		Ditto as Item 7, but M 16x450 mm.	360		
17	01110208 <u>C1010110208</u>		Ditto as Item 7, but M 16x500 mm.	40		
18	01110209 <u>C1010110209</u>		Ditto as Item 7, but M 16x600 mm.			
19	01110300 <u>C1010110300</u>		Ditto as Item 7, but M 20x350 mm.			
20	01110301 <u>C1010110301</u>		Ditto as Item 7, but M 20x400 mm.			

Invitation to Bid No.

Specification No.: RHDW-011/2556

C4 Price schedule

Manufacturer :

Trade-mark :

Country of Origin:

Bidder :

Bid No. :

Date :

Item	PEA Material No.	Catalogue No.	Description	Quantity	Unit Cost (See details & conditions attached)	Total Cost (See details & conditions attached)
21	01110302 <u>C1010110302</u>		Ditto as Item 7, but M 20x450 mm .			
22	01110303 <u>C1010110303</u>		Ditto as Item 7, but M 20x550 mm .			
23	01110400 <u>C1010110400</u>		Bolt, machine, hexagon head, M 16x75 mm; complete with one (1) hexagon nut, one (1) lock nut, and two (2) round washers .			
24	01110401 <u>C1010110401</u>		Bolt, machine, hexagon head, M 16x550 mm; complete with one (1) hexagon nut, one (1) lock nut, and two (2) round washers .			
25	01110402 <u>C1010110402</u>		Ditto as Item 24, but M 16x600 mm .			
26	01110403 <u>C1010110403</u>		Ditto as Item 24, but M 16x650 mm .			
27	01120000 <u>C1010120000</u>		Bolt, double arming, M 16x400 mm, complete with four (4) square nuts.			
28	01120001 <u>C1010120001</u>		Ditto as Item 27, but M 16x450 mm .			
29	01120002 <u>C1010120002</u>		Ditto as Item 27, but M 16x500 mm .			
30	01120003 <u>C1010120003</u>		Ditto as Item 27, but M 16x550 mm .			

Invitation to Bid No. น.3กสญ.(จช.)EB2/2566

Specification No. : RHDW-011/2556

C4 Price schedule

Manufacturer :

Trade-mark :

Country of Origin :

Bidder :

Bid No. :

Date :

Item	PEA Material No.	Catalogue No.	Description	Quantity	Unit Cost (See details & conditions attached)	Total Cost (See details & conditions attached)
31	01120004 <u>C1010120004</u>		Ditto as Item 27, but M 16x600 mm.			
32	01120005 <u>C1010120005</u>		Ditto as Item 27, but M 16x650 mm.			
33	01130000 <u>C1010130000</u>		Bolt, double arming forged round eye, 16x400 mm, complete with three (3) square nuts, minimum breaking strength			
			kgf.			
34	01130001 <u>C1010130001</u>		Ditto as Item 33, but M 16x450 mm, minimum breaking strength	480		
			kgf.			
35	01130002 <u>C1010130002</u>		Ditto as Item 33, but M 16x500 mm, minimum breaking strength	240		
			kgf.			
36	01130003 <u>C1010130003</u>		Ditto as Item 33, but M 16x600 mm, minimum breaking strength	1,170		
			kgf.			

Invitation to Bid No.

Specification No.: RHDW-011/2556

C4 Price schedule

Manufacturer :

Trade-mark :

Country of Origin:

Bidder :

Bid No. :

Date :

Item	PEA Material No.	Catalogue No.	Description	Quantity	Unit Cost (See details & conditions attached)	Total Cost (See details & conditions attached)
37	01130004 <u>C1010130004</u>		Ditto as Item 33, but M 16x550 mm, minimum breaking strength kgf.			
38	01130005 <u>C1010130005</u>		Ditto as Item 33, but M 15x650 mm, minimum breaking strength kgf.			
39	01140000 <u>C1010140000</u>		Bolt, forged round eye, M 16x100 mm, complete with two (2) square nuts, minimum breaking strength kgf.			
40	<u>C1010140001</u>		Ditto as Item 39, but M 16x150 mm, minimum breaking strength kgf.			
41	01140001 <u>C1010140001</u>		Ditto as Item 39, but M 16x200 mm, minimum breaking strength kgf.			
42	01140002 <u>C1010140002</u>		Ditto as Item 39, but M 16x250 mm, minimum breaking strength kgf.			

Invitation to Bid No.

Specification No.: RHDW-011/2556

C4 Price schedule

Manufacturer :

Trade-mark :

Country of Origin:

Bidder :

Bid No. :

Date :

Item	PEA Material No.	Catalogue No.	Description	Quantity	Unit Cost (See details & conditions attached)	Total Cost (See details & conditions attached)
43	01140003 <u>C1010140003</u>		Ditto as Item 39, but M 16x300 mm, minimum breaking strength kgf.			
44	01150000 <u>C1010150000</u>		Bolt, oval eye, M 16x 150 mm, complete with one (1) square nut, minimum breaking strength kgf.			
45	01150001 <u>C1010150001</u>		Ditto as Item 44, but M 16x200 mm, minimum breaking strength kgf.			
46	01150002 <u>C1010150002</u>		Ditto as Item 44, but M 16x350 mm, minimum breaking strength kgf.			
47	01150100 <u>C1010150100</u>		Ditto as Item 44, but M 20x350 mm, minimum breaking strength kgf.			
48	01150101 <u>C1010150101</u>		Ditto as Item 44, but M 20x450 mm, minimum breaking strength kgf.			
49	01160000 <u>C1010160000</u>		Bolt, stubbing, full thread, M 24x600 mm, complete with four (4) square nuts and two (2) flat washers.			

Invitation to Bid No. น.3กบญ.(จช.)EB2/2566

Specification No. : RHDW-011/2556

C4 Price schedule

Manufacturer :

Trade-mark :

Country of Origin :

Bidder :

Bid No. :

Date :

Item	PEA Material No.	Catalogue No.	Description	Quantity	Unit Cost (See details & conditions attached)	Total Cost (See details & conditions attached)
50	01160001 <u>C1010160001</u>		Ditto as Item 49, but M 24x800 mm.	1,000		
51	01160002 <u>C1010160002</u>		Ditto as item 49, but M 24x1,000 mm.			
52	01160003 <u>C1010160003</u>		Ditto as Item 49, but M 24x1,250 mm.			
53	01160004 <u>C1010160004</u>		Ditto as Item 49, but M 24x1,600 mm.			
54	01180001 <u>C1010180001</u>		Nut, forged eye M 16, minimum breaking strength	750		
55	01180002 <u>C1010180002</u>		Eyelet, minimum breaking strength			
56	01180003 <u>C1010180003</u>		Nut, eye, thimble, minimum breaking strength	500,827		
57	01180004 <u>C1010180004</u>		Ditto as Item 56, minimum breaking strength			
58	01180100 <u>C1010180100</u>		Washer, square, flat, nominal size 16.			
59	01180101 <u>C1010180101</u>		Ditto as Item 58, but nominal size 20.			
60	01180102 <u>C1010180102</u>		Ditto as Item 58, but nominal size 24.			
61	01180103 <u>C1010180103</u>		Ditto as Item 58, but nominal size 12.			

Invitation to Bid No.

Specification No. : RHDW-011/2556

C4 Price schedule

Manufacturer

Trade-mark :

Country of Origin :

Bidder :

Bid No. :

Date :

Item	PEA Material No.	Catalogue No.	Description	Quantity	Unit Cost (See details & conditions attached)	Total Cost (See details & conditions attached)
75	03140011 <u>C103010011</u>		Thimble clevis, pressed steel, minimum breaking strength kgf.			
76	03140013 <u>C103010013</u>		Plate spacer, of mild steel, minimum breaking strength kgf.			
77	01030002 <u>C1010030002</u>		Plate, steel, 6x100 mm, 450 mm long.			
78	01030100 <u>C1010030100</u>		Plate, steel, double arming, 12x100 mm, 650 mm long.			
79	02440102 <u>C102040102</u>		Clamp, guy, triple bolt, suitable for steel stranded wire 50-95 mm ²			
80	02440103 <u>C102040103</u>		Link for cable spacer, 9.0 mm diameter steel round bar			
81	02440112 <u>C102040112</u>		Bracket, of channel steel, 100x50x5 mm, for aerial cable corner support.			
82	01000106 <u>C101000106</u>		Crossarm, of channel steel, nominal size 100 x 50 x 5 mm, 2,500 mm long.			
83	01000201 <u>C101000201</u>		Crossarm, of channel steel, nominal size 125 x 65 x 6 mm, 3,000 mm long.			
84	01110404 <u>C1010110404</u>		Bolt, machine, hexagon head, M 16 x 50 mm; complete with one (1) hexagon nut, and two (2) round washers.			

Invitation to Bid No.
 Specification No. : RHDW-011/2556
 C4 Price schedule

Manufacturer :
 Trade-mark :
 Country of Origin :
 Bidder :
 Bid No. :
 Date :

Item	PEA Material No.	Catalogue No.	Description	Quantity	Unit Cost (See details & conditions attached)	Total Cost (See details & conditions attached)
85	02200106 (1020200106)		Vibration damper, dumbbells type (stockbridge), for overhead ground wire diameter range 9.0 - 10.0 mm (Steel stranded wire 50 mm ²), approximate total weight 1.6 kg (3.5 pounds).			
86	02200107 (1020200107)		Vibration damper, dumbbells type (stockbridge), for conductor diameter range 27.0 - 29.0 mm (ACSR conductor 380/50 mm ²), approximate total weight 7.3 kg (16 pounds).			

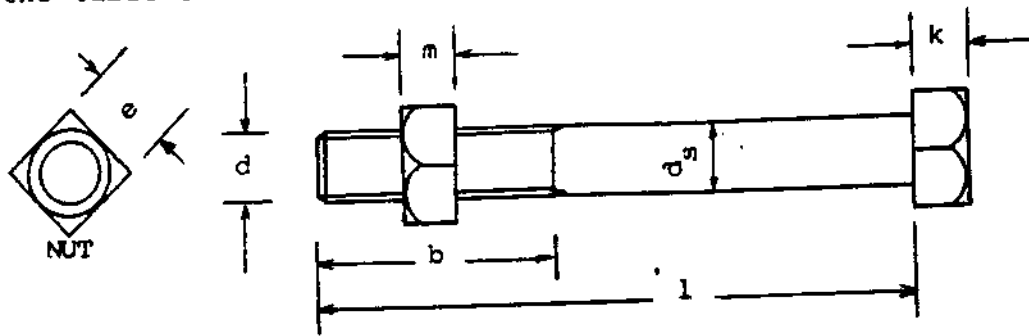
Nominal Thread Diameters and Pitches of Steel Bolts and Nuts

Bolts and Nuts shall have nominal thread diameters(d) and coarse pitch (P) as specified in the table below :

Nominal Thread Diameter(d) in mm	Coarse Pitch(P) in mm
6	1
8	1.25
10	1.5
12	1.75
16	2
20 /	2.5
24	3

Dimensions and Tolerances of M 16 Machine Bolts

M 16 machine bolts shall have dimensions and tolerances as specified in the table below :



PEA Mat.No.	Machine Bolt Size	Dimensions in mm (Tolerances in mm)					
		d_s	l	b	k	e	m
01110200	M 16x130	16 (+ 0.95) (- 0.70)	130 (+ 5) (- 0)	35 (+ 6) (- 0)	10.5 (+2.0) (-0.9)	26 or 24 (+ 0) (- 0.8)	13 (± 0.9)
01110201	M 16x170	16 (+ 0.95) (- 0.70)	170 (+ 3) (- 2)	50 (+ 6) (- 0)	10.5 (+2.0) (-0.9)	26 or 24 (+ 0) (- 0.8)	13 (± 0.9)
01110202	M 16x200	16 (+ 0.95) (- 0.70)	200 (+ 3) (- 2.3)	50 (+ 6) (- 0)	10.5 (+2.0) (-0.9)	26 or 24 (+ 0) (- 0.8)	13 (± 0.9)
01110203	M 16x250	16 (+ 0.95) (- 0.70)	250 (+ 5) (- 2.3)	75 (+ 8) (- 0)	10.5 (+2.0) (-0.9)	26 or 24 (+ 0) (- 0.8)	13 (± 0.9)
01110204	M 16x300	16 (+ 0.95) (- 0.70)	300 (+ 5) (- 2.6)	75 (+ 8) (- 0)	10.5 (+2.0) (-0.9)	26 or 24 (+ 0) (- 0.8)	13 (± 0.9)
01110205	M 16x350	16 (+ 0.95) (- 0.70)	350 (+ 5) (- 2.85)	75 (+ 8) (- 0)	10.5 (+2.0) (-0.9)	26 or 24 (+ 0) (- 0.8)	13 (± 0.9)
01110206	M 16x400	16 (+ 0.95) (- 0.70)	400 (+ 5) (- 2.85)	100 (+ 8) (- 0)	10.5 (+2.0) (-0.9)	26 or 24 (+ 0) (- 0.8)	13 (± 0.9)
01110207	M 16x450	16 (+ 0.95) (- 0.70)	450 (+ 7) (- 3.15)	100 (+ 8) (- 0)	10.5 (+2.0) (-0.9)	26 or 24 (+ 0) (- 0.8)	13 (± 0.9)
01110208	M 16x500	16 (+ 0.95) (- 0.70)	500 (+ 7) (- 3.15)	150 (+ 8) (- 0)	10.5 (+2.0) (-0.9)	26 or 24 (+ 0) (- 0.8)	13 (± 0.9)

Note : Thread length (b) is measured from the end of the bolt to the last thread of nut entering.

Acceptance Tests for Threads of Steel Bolt, Anchor Rod, and Nut

1. Nuts shall be run the entire length of the bolt thread section without undue forcing with the fingers.
2. Strength tests shall be conducted with a minimum of three (3) full threads of thread section beyond the nut as shown in Fig. 1; failure shall not occur in the threaded section below the minimum strength (P).

Kind of Bolt, and Anchor Rod	Size	Minimum Strength, P (kgf)
Machine bolt, Double arming bolt, Double arming round eye bolt, Round eye bolt, Stubbing bolt, Oval eye bolt, Single strand eye bolt, Anchor rod	M 16	5,000
	M 20	9,000
	M 24	14,100

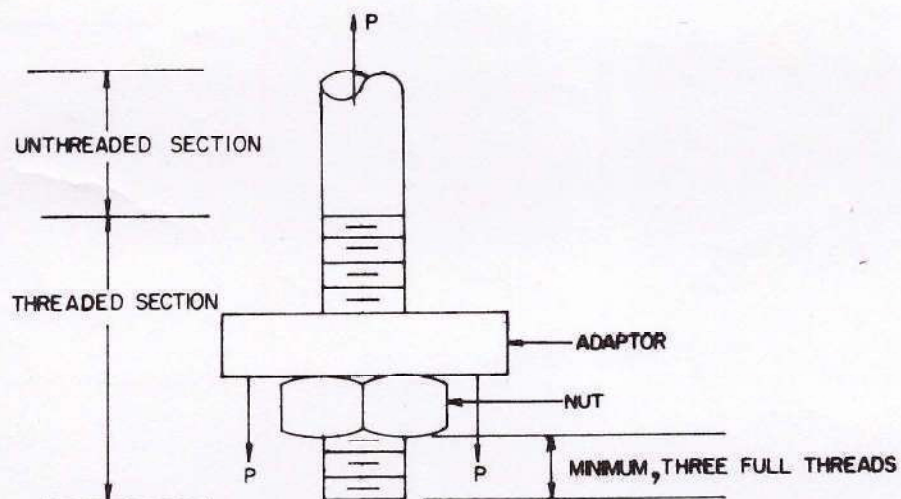
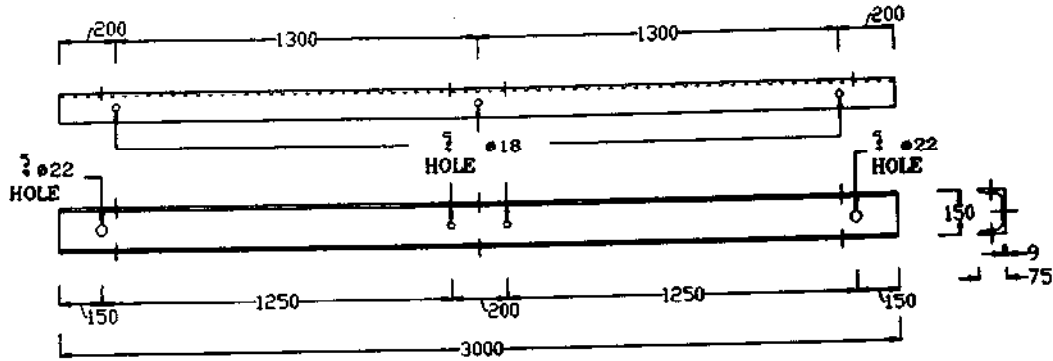


Fig. 1

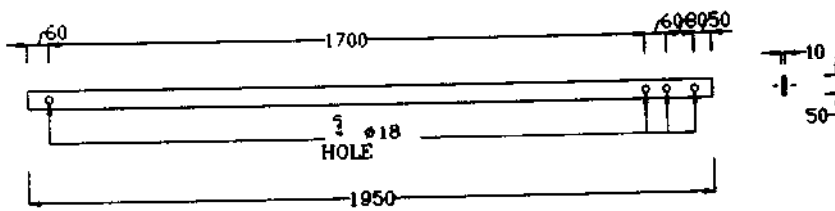
PRELIMINARY

MAT. NO. 00120004



คอสายแบบเหล็กรูปร่างน้ำ
CROSSARM, STEEL CHANNEL

MAT. NO. 01200003



เหล็กประกบกับคอสาย
BRACE, FLAT, FOR CROSSARM

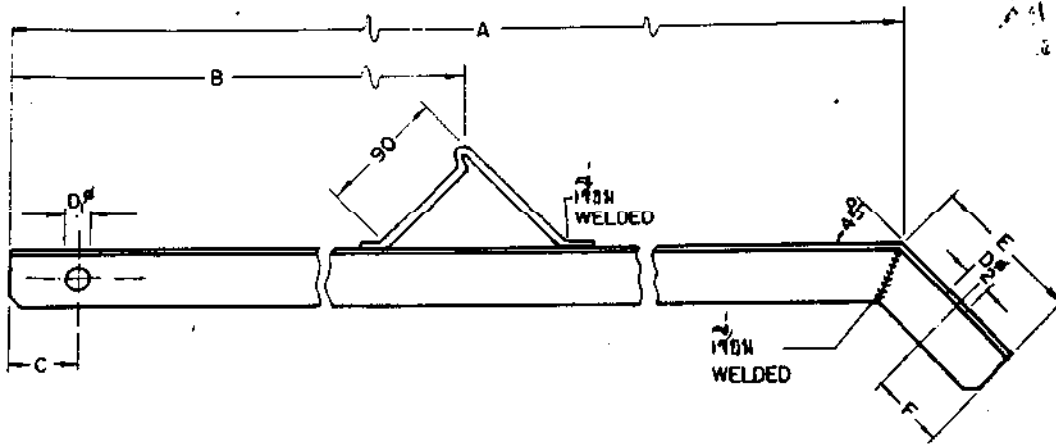
NOTE:

1. ALL DIMENSIONS ARE IN mm.
 2. STEEL CHANNEL ACCORDING TO TABLE 6 OF TIS 116 *
 3. BRACE, FLAT ACCORDING TO TABLE 1 OF TIS 55
 4. HOT-DIP GALVANIZED
- * CHANGE TO TIS 1227 TABLE 4

กองวิศวกรรมไฟฟ้าและเครื่องกล ฝ่ายวิศวกรรม	การไฟฟ้าส่วนภูมิภาค	ใช้แทนแบบ ทุกแทนโดยแบบ
ผู้เขียน ผู้สำรวจ วิศวกร หัวหน้าแผนก ผู้อำนวยการกอง ผู้อำนวยการฝ่าย	ผู้ว่าการ	เขียนเสร็จวันที่ 20 ก.พ. 39 แก้แบบวันที่
	คอสายแบบเหล็กรูปร่างน้ำ ขนาด 150x75x9 มม. ยาว 3.00 ม. และเหล็กประกบกับคอสาย ขนาด 50x10x1.950 มม.	มีดเป็น มีดลิเมตร มาตราส่วน -
รองผู้ว่าการ	CROSSARM, STEEL CHANNEL, 150x75x9 mm, 3.00 m LONG AND BRACE, FLAT, FOR CROSSARM, 50x10x1.950 mm	แบบเลขที่ SA2-015/39005 แผ่นที่ 1 ของจำนวน 1 แผ่น

* 2103 วัสดุเหล็ก ID 2

การติดตั้งโครงเหล็ก 3103
ASSEMBLY NO.

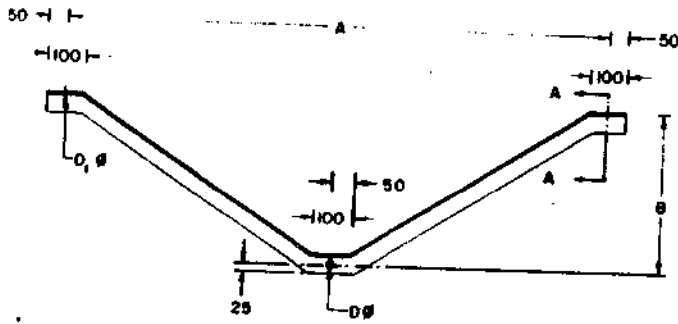


PRELIMINARY

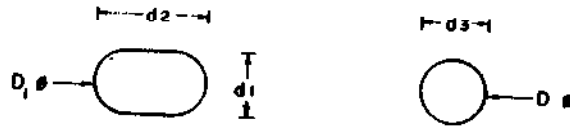
วัสดุเหล็ก MATNO.	ขนาด มม. DIMENSIONS MM.							วัสดุประกอบ, หมายเหตุ MAT., SURFACE FINISHING, REMARKS
	A	B	C	Dp	Ds	E	F	
01200004	2120	1000	50	18	18	100	50	เหล็กฉาก 40x40x5 มม. ทึบร้อนชุบ 30x6 มม. เหล็กแบน 30x6 มม. ตามปกติ ตามปกติ 174.118-0210 BRACE: ANGLE IRON 40X40X5MM. FOOT STEP: FLAT IRON 30X6MM. MILD STEEL ST-37 HOT GALV. ACC. TO VDE 0210 AFTER FABRICATION.
01200005	2350	1000	50	18	18	100	50	เหล็กฉาก 50 x 50 x 6 มม. ทึบร้อนชุบ 30x6 มม. เหล็กแบน 30x6 มม. ตามปกติ ตามปกติ 174.118-0210. BRACE: ANGLE IRON 50X50X6MM. FOOT STEP: FLAT IRON 30X6MM. MILD STEEL ST-37 HOT GALV. ACC. TO VDE 0210 AFTER FABRICATION

GERMAN ADVISORY TEAM - PROVINCIAL ELECTRICITY AUTHORITY

ขนาด SCALE 1:5	วันที่ DATE 20/9/66	เหล็กประกอบโครงเหล็ก 01 คอลัมน์, ทึบร้อนชุบ, คานฉาก, วัสดุในทางยึด, สกรูเหล็ก	
FOR G. A.	FOR P. E. A. Draw. by <i>Benriap</i>	BRACE, ALLEY, ARM 01 CROSS-ARMS, BRACES, ANCHORS, GUYING MATERIAL, STEEL WIRE	
<i>4-10-66</i>	<i>Benriap</i>	K 31	09064 SHEET NO. 1 OF 1



SECTION A-A



HOLE DIMENSIONS

วัสดุ MAT. NO.	ขนาด DIMENSIONS IN				วัสดุ: MATERIAL, SURFACE FINISH
	A	B	Dø (d3)	D1ø (d1 x d2)	
01200006	1,500	440	18	18 X 30	เหล็กฉาก ANGLE STEEL, EQUAL ANGLES 50 X 50 X 6 มม. ACC. TIS. IS HOT DIP GALV. ACC. TO PEA. STANDARD
01200007	1,800	450	18	18 X 30	

Handwritten notes in Thai script, including a signature and date.

เหล็กฉากขนาดหน้า 50 X 50 X 6 มม.

BRACE, ANGLE STEEL 50 X 50 X 6 mm

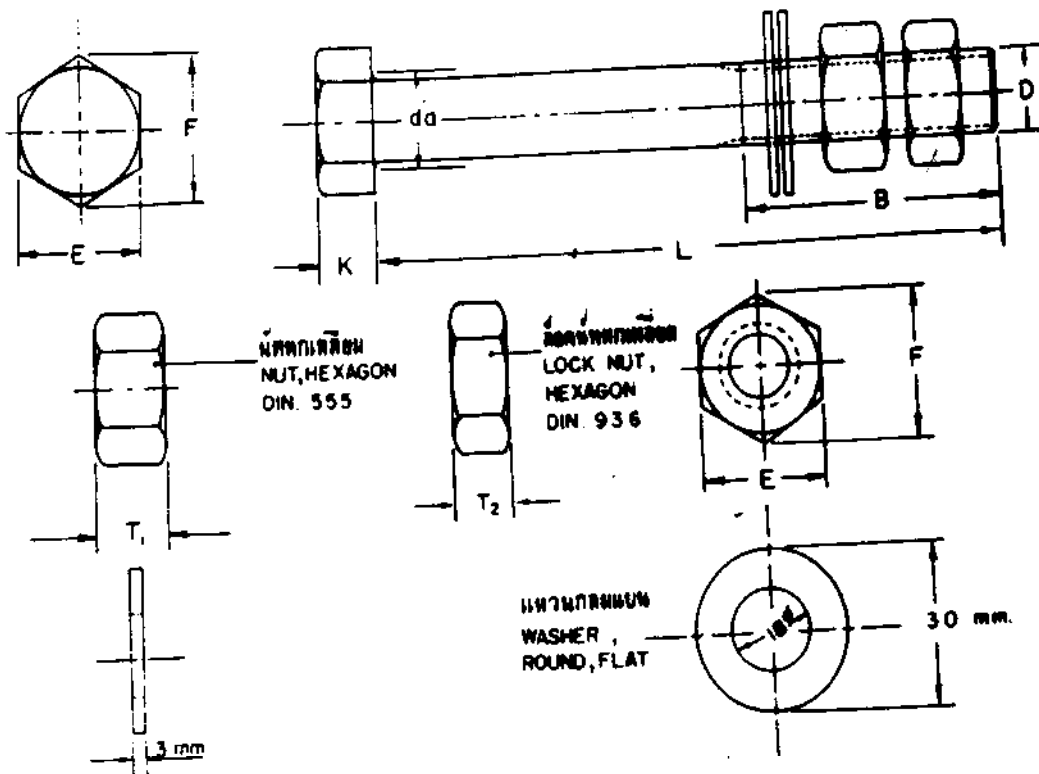
20 มี.ค. 22

MM.

1, 2, 1, 4, 1, 20

SBI-018/220H

PRELIMINARY



วัสดุเลขที่ MAT. NO	มิติ DIMENSIONS						mm mm.			แรงดึง (กก) BREAKING STRENGTH (kgf.)	น้ำหนัก กก./100พซ kg./100Pcs	วัสดุ MATERIAL, SURFACE FINISHING
	D	L	B	K	E	F	da, max	T ₁	T ₂			
01110400	16	75	75	10	24	27.7	19.2	13	8	8,000		เคลือบ ชุบสังกะสี ตาม มาตรฐานของ สผ STEEL
01110403	16	650	150	10	24	27.7	19.2	13	8	8,000		
												HOT DIP GAL- VANIZED ACC. TO PEA. STANDARD.

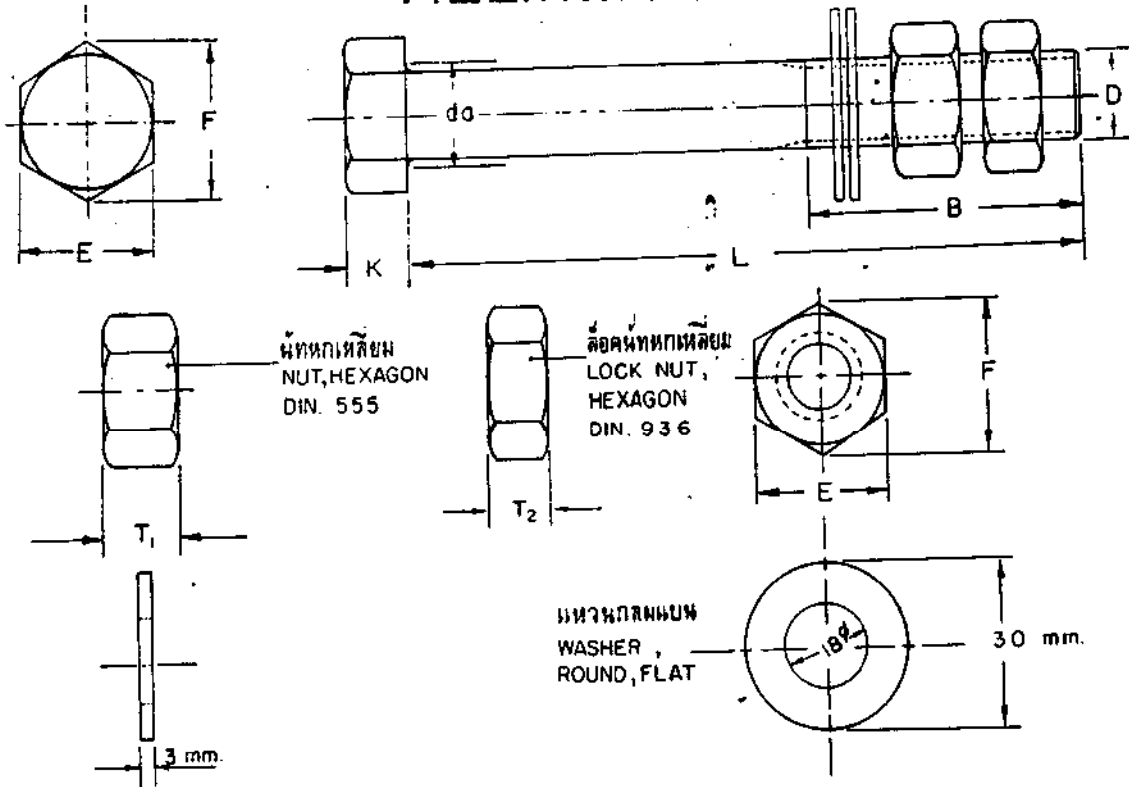
กองวิศวกรรมไฟฟ้าและเครื่องกล ฝ่ายวิศวกรรม การไฟฟ้าส่วนภูมิภาค

ฉบับ 1
วันที่ 1 ต.ค. 2539

สลักเกลียว หัวหกเหลี่ยม เอ็ม 16
BOLT, MACHINE, HEXAGON M.16

เลขที่ SA2-015/39019
วันที่ 1 ตุลาคม 1999

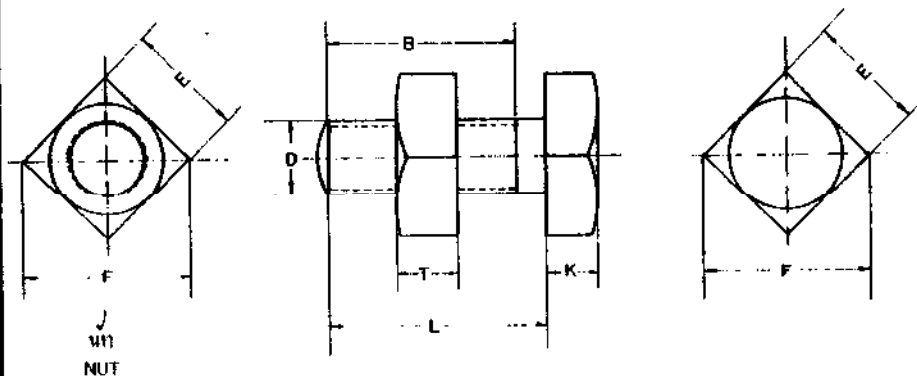
PRELIMINARY



วัสดุเลขที่ MAT. NO	มิติ DIMENSIONS IN						น.ม. mm.			แรงปรลัย (กก.) BREAKING STRENGTH (kgf.)	น้ำหนัก กก./100พซ WEIGHT kg./100Pcs	วัสดุ ฉาบผิว MATERIAL, SURFACE FINISHING
	D	L	B	K	E	F	do, max.	T ₁	T ₂			
												เหล็กกล้า
												ชายสังกะสี ตาม มาตรฐานของ กพท. STEEL
01110401	16	550	150	10	24	27.7	19.2	13	8	8,000		HOT DIP GAL- VANIZED ACC. TO PEA. STANDARD.
01110402	16	600	150	10	24	27.7	19.2	13	8	8,000		

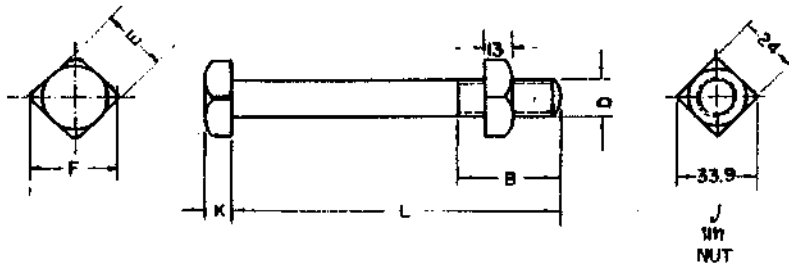
กองวิศวกรรม	การไฟฟ้าส่วนภูมิภาค	ผู้เขียนแบบ..... ผู้ควบคุมแบบ..... เขียนเสร็จวันที่ ๑๕.๐๘.๖๕ แก้ไขครั้งที่ ๑๕.๐๘.๖๕ มีมติ..... ภาค..... แบบเลขที่ 501-015/18035 หน้า.....
ผู้เขียน..... ผู้กำกับ..... วิศวกร..... หัวหน้าแผนก..... ผู้อำนวยการกอง.....	ผู้กำกับ..... สลักเกลียว หัวหกเหลี่ยม เอ็ม 16	
รองผู้จัดการฝ่ายเทคนิค	BOLT, MACHINE, HEXAGON M.16	

PRELIMINARY



วัสดุ MAT. NO.	ขนาด DIMENSION IN MM.							น้ำหนัก Kg./100 pcs	วัสดุ, มาตรฐาน, หมายเหตุ MATERIAL, SURFACE FINISHING, REMARKS
	D	L	B	K	E	F	T		
0110000	M8	25	22	5.5	13	18.4	6.5		วัสดุเหล็กกล้า ตาม TIS 171 มาตรฐานอุตสาหกรรม ไทย.
0110100	M12	35	30	8	19	26.9	9.5		STEEL, PROPERTY CLASS 4-6 TO TIS. 171
0110101	M12	50	40	8	19	26.9	9.5		HOT DIP GALV. ACC. TO PEA. STANDARD.

วิศวกร วิศวกร วิศวกร วิศวกร	การไฟฟ้าส่วนภูมิภาค ผู้การ <i>Dr. ...</i> สังกัดสาขา 02 สังกัดสาขา, เครื่องมือสำหรับช่าง BOLT, MACHINE 02 BOLT, HARDWARE, STRAIN & SUSPENSION	วิศวกร วิศวกร วันที่รับงาน 3/11/14 วิศวกร วิศวกร หมายเลข 150-015/140367 วิศวกร
--------------------------------------	---	--



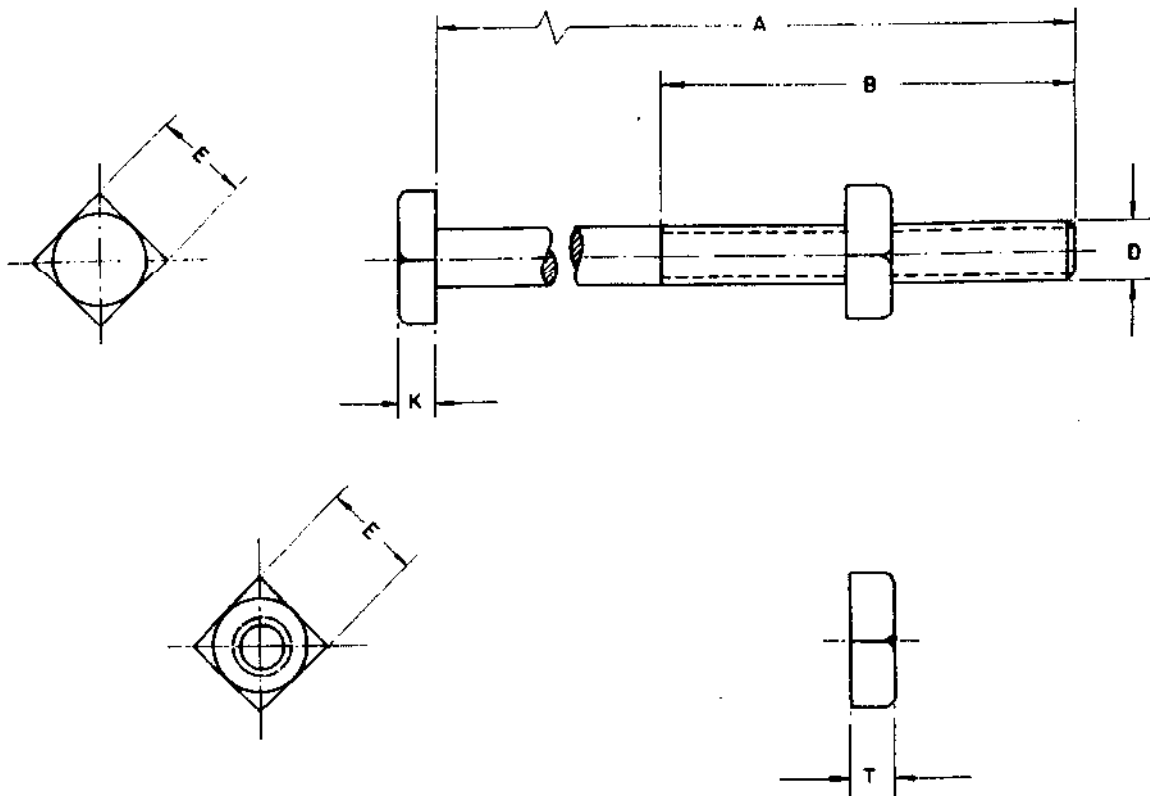
วัสดุ MAT. NO.	ขนาด DIMENSIONS IN MM						น้ำหนัก WEIGHT kg/100 Pcs.	วัสดุ, พื้นผิว MATERIAL, SURFACE FINISHING, REMARKS.
	D	L	B	K	E	F		
0110200	M6	130	35	10.5	24	32	~ 24.4	วัสดุ: เหล็กกล้า 4-6 สเปค: 171 วัสดุ: เหล็กกล้า 4-6 STEEL, PROPERTY CLASS 4-6 ACC. TO TIS. 171 HOT DIP GALV. ACC TO PEA STANDARD.
0110201	M6	170	50	10.5	24	32	~ 32.4	
0110202	M6	200	50	10.5	24	32	~ 40.2	
0110203	M6	250	75	10.5	24	32	~ 48	
0110204	M6	300	75	10.5	24	32	~ 56	
0110205	M6	350	75	10.5	24	32	~ 63.8	
0110206	M6	400	100	10.5	24	32	~ 71.6	
0110207	M6	450	100	10.5	24	32	~ 79.6	
0110208	M6	500	150	10.5	24	32	~ 87.6	

หมายเหตุ: วัสดุที่ใช้เป็นขั้วต่อสายเคเบิล
 ต้องเป็นเหล็กกล้าชนิดที่
 มีคุณสมบัติดังนี้

NOTE: IF NOT OTHERWISE INDICATED
 THE MACHINE BOLT IS FITTED
 WITH ONE SQUARE NUT

GERMAN ADVISORY TEAM -- PROVINCIAL ELECTRICITY AUTHORITY

1:2.5 SCALE FOR G. A.	วันที่ DATE 22/9/66 FOR P. E. A. Drawn by	02 สายเคเบิล 02 สายเคเบิล: เคเบิลสายเคเบิล
21-10-66		BOLT, MACHINE. 02 BOLTS, HARDWARE, STRAIN & SUSPENSION
K 31		09072
SHEET NO. 1 OF 1		



วัสดุเลขที่ MATERIAL NUMBER	ขนาด DIMENSIONS						น้ำหนัก กก./100 ชิ้น WEIGHT kg./100 Pcs.	วัสดุและผิวงาน MATERIAL & SURFACE FINISHING
	D	A	B	K	E	T		
01110301	M.20	400	100	13	30	16		เหล็กกล้าชนิดความแข็ง 4.6 ตาม มอก. 171 ชุบสีถลอก: สีเทาเทาตามมอก. STEEL, PROPERTY CLASS 4.6 ACC. TO TIS. 171 HOT DIP GALV. ACC. TO PEA. STANDARD.
01110302	M.20	450	100	13	30	16		
01110303	M.20	550	150	13	30	16		

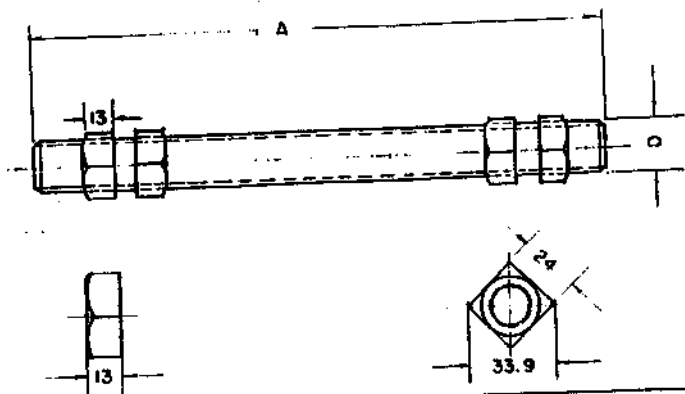
4/15/2017
 01110301
 01110302
 01110303
 22/01/2017



สลักเกลียว M20 UN

BOLT, MACHINE M. 20 mm.

วันที่ออกรายงาน
 วันที่ออกรายงาน
 วันที่ออกรายงาน 15.01.22
 วันที่ออกรายงาน
 วันที่ออกรายงาน UN.
 วันที่ออกรายงาน
 วันที่ออกรายงาน 01-01/2017



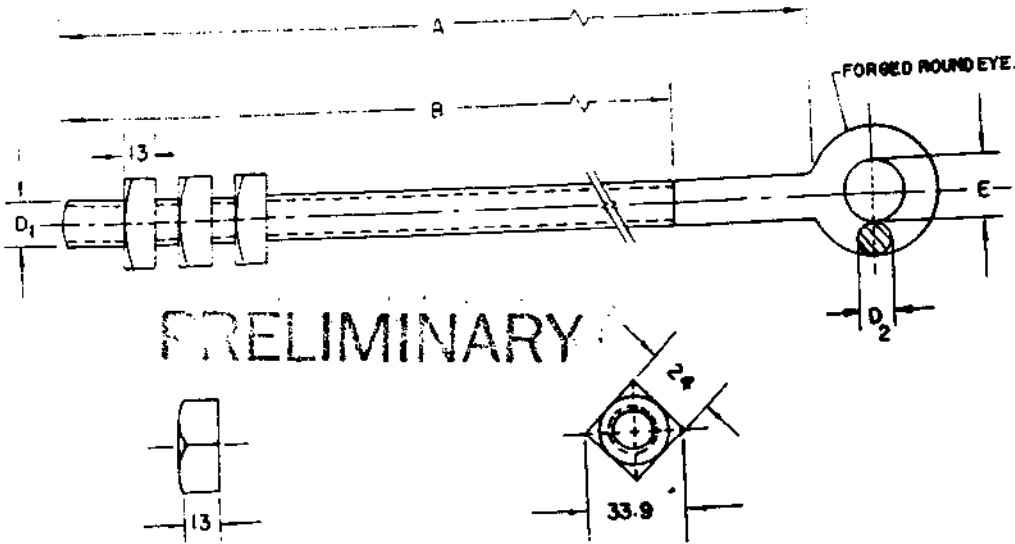
วัสดุ MAT. NO.	ขนาด DIMENSIONS IN MM.		น้ำหนัก/100 ชิ้น WEIGHT kg/100 PIECES	วัสดุ, การชุบ MATERIAL, SURFACE FINISHING, REMARKS
	D	A		
01120000	M 16	400	~ 69.2	เหล็กชุบสังกะสี 4-6 ตาม มอก. 171 เป็นไปตามมาตรฐาน มอก.
01120001	M 16	450	~ 77.0	STEEL, PROPERTY CLASS 4-6 ACC. TO TIS. 171 HOT DIP GALV. ACC. TO PEA. STANDARD.
01120002	M 16	500	~ 85.0	
01120004	M 16	600	~	

หมายเหตุ: วัสดุที่ใช้ทำสายเคเบิล
ควรใช้ชนิดที่ทนแรงดึงสูง
ขนาด 4 มม

NOTE. IF NOT OTHERWISE INDICATED THE
DOUBLE ARMING BOLT IS FITTED
WITH FOUR SQUARE NUTS.

GERMAN ADVISORY TEAM - PROVINCIAL ELECTRICITY AUTHORITY

มาตรฐาน SCALE 1:5, 1:2.5 FOR B. A. T.	วันที่ DATE 22/9/66 FOR P. E. A. Draw. by <i>K. S. S.</i>	วัสดุ 02 วัสดุชุบสังกะสี, มาตรฐาน มอก.
<i>[Handwritten Signature]</i>		BOLT, DOUBLE ARMING 02 BOLTS, HARDWARE, STRAIN & SUSPENSION.
	K 31	09069
SHEET NO. 1 OF 1		



PRELIMINARY

รหัสวัสดุ MAT. NO.	ขนาด DIMENSION IN MM.					แรงรับดึง กก. BREAKING STRENGTH (kgf)	น้ำหนัก กก. 100 ฟุต WEIGHT kg/100Ft.	วัสดุ MATERIAL, ผิวหน้า SURFACE FINISHING
	D ₁	A	B	E	D ₂			
01130000	M 16	400	350	22	12	5000	≈ 68	พ่นกัลวา
01130001	M 16	450	400	22	12	5000	≈ 107	งานตีงัดเคาะตามมาตรฐานของเหล็ก STEEL
01130002	M 16	500	450	22	12	5000	≈ 145	HOT DIP GALV. ACC. TO PEA. STANDARD
01130003	M 16	600	550	22	12	5000	*	
01130004	M 16	550	500	22	12	5000		
01130005	M 16	650	600	22	12	5000		

หมายเหตุ

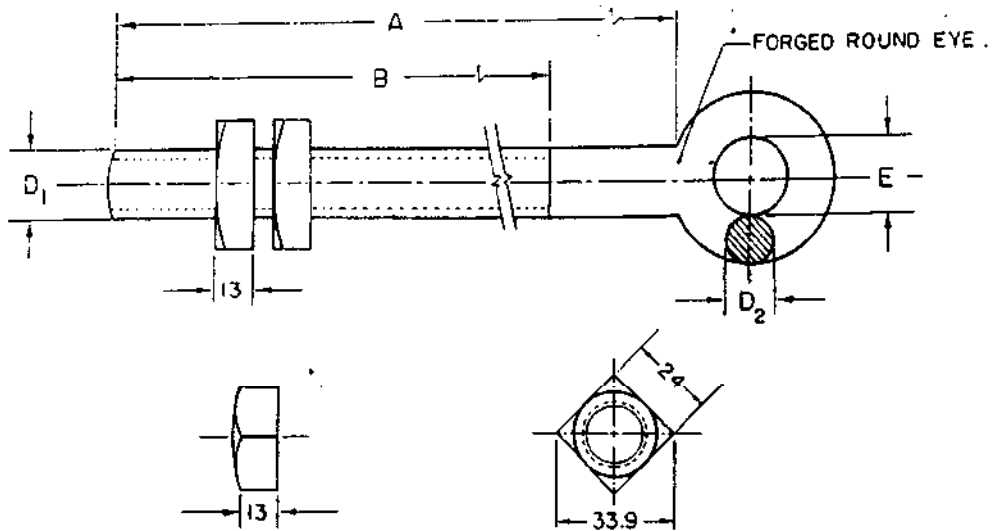
ถ้าหากไม่ระบุไว้เป็นขมวด
สลักเกลียวทรงกลมประกอบด้วย
น็อตสี่เหลี่ยม 3 ตัว

NOTE:

IF NOT OTHERWISE INDICATED THE
DOUBLE ARMING BOLT, ROUND EYE,
IS FITTED WITH THREE SQUARE NUTS

กองวิศวกรรม	การไฟฟ้าส่วนภูมิภาค	ใช้ตามแบบ K31-09070
ผู้เขียน <i>[Signature]</i>	ผู้ว่าการ <i>[Signature]</i>	ถูกแทนโดยแบบ.....
ผู้สำรวจ		เขียนเสร็จวันที่ 20.5.17
วิศวกร <i>[Signature]</i>	สลักเกลียว, ทรงกลม	นักแบบวันที่.....
หัวหน้าแผนก		ผลิตเป็น N.H.
ผู้อำนวยการกอง	BOLT, DOUBLE ARMING, ROUND EYE.	มาตรฐาน I : 2.5
รองผู้ว่าการฝ่ายเทคนิค		แบบเลข SOI-015/17007
		หน้า 1 ของจำนวน 1 หน้า

PRELIMINARY

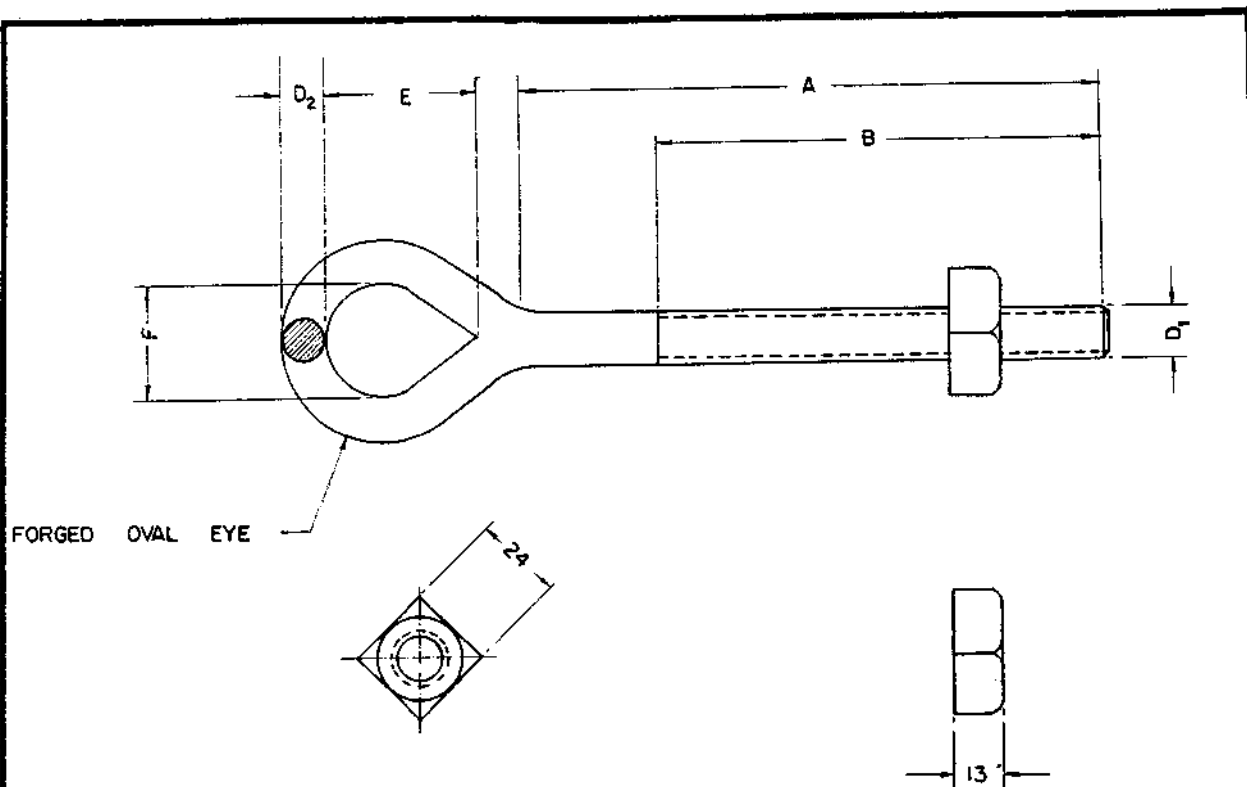


วัสดุเลขที่ MAT. NO.	มิติ มม. DIMENSION IN mm.					แรงประลัย กก. BREAKING STRENGTH (kgf)	น้ำหนัก กก./๑๐๐ชิ้น WEIGHT kg./100 Pcs.	วัสดุ มาตรฐาน MATERIAL, SURFACE FINISHING
	D ₁	A	B	E	D ₂			
01140000	M16	100	75	22	12	5,000	≈ 17	เหล็กกล้า อาบสังกะสีตามมาตรฐาน ของ กฟผ. STEEL HOT DIP GALV. ACC. TO PEA. STANDARD
01140001	M16	200	150	22	12	5,000	≈ 34	
01140002	M16	250	200	22	12	5,000	≈ 42.5	
01140003	M16	300	250	22	12	5,000	≈ 51	

หมายเหตุ : ถ้าหากไม่ระบุไว้เป็นอย่างอื่น
สลักเกลียวหัวกลมประกอบด้วย
น็อตเหลี่ยม 2 ตัว

NOTE : IF NOT OTHERWISE INDICATED
THE BOLT, ROUND EYE, IS
FITTED WITH TWO SQUARE NUTS.

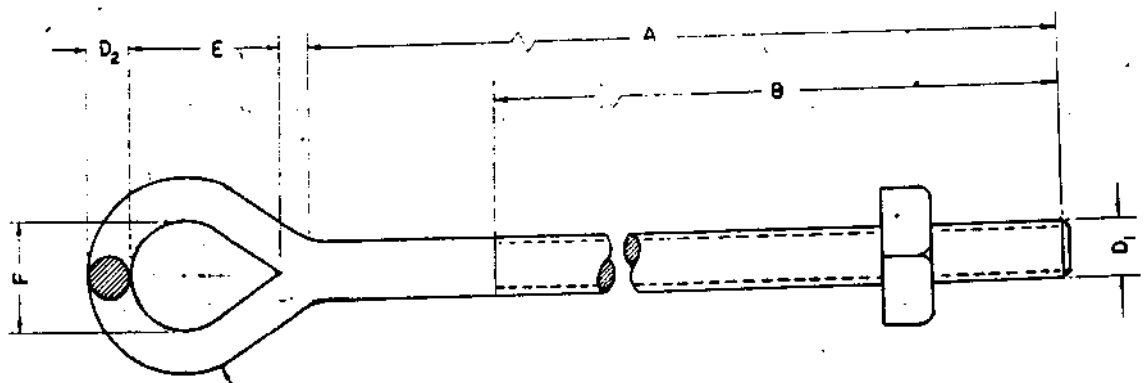
กองวิจัยและพัฒนา	การไฟฟ้าส่วนภูมิภาค		ใช้.....
ผู้เขียน <i>วิเศษ วัฒนศิริ</i>	ผู้ตรวจ <i>วิเศษ วัฒนศิริ</i>	27 ก.ย. 65	คุณนันทิศจน.....
ผู้กำกับ <i>วิเศษ วัฒนศิริ</i>	01140000 - สลักเกลียว หัวกลม		เดือน/ปี/วัน 10/9/19
วิศวกร <i>วิเศษ วัฒนศิริ</i>	01140003		แก้ไข <i>วิเศษ วัฒนศิริ</i>
หัวหน้าแผนก <i>วิเศษ วัฒนศิริ</i>	01140000 - BOLT, ROUND EYE		ชนิด.....
ผู้อำนวยการกอง <i>วิเศษ วัฒนศิริ</i>	01140003		มาตรฐาน.....
รองผู้อำนวยการฝ่ายเทคนิค			แบบเลขที่ SOI-015/19041
			แผ่นที่ 1 จากจำนวน 1 แผ่น



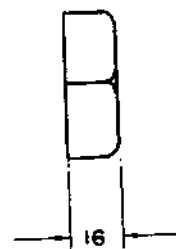
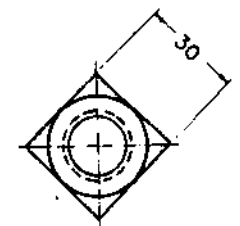
วัสดุ MATERIAL NUMBER	ขนาด DIMENSIONS IN mm.						แรงดึง BREAKING STRENGTH kg.	น้ำหนัก WEIGHT kg/100 Pcs.	วัสดุและการฉาบผิว MATERIAL & SURFACE FINISHING
	D ₁	A	B	E	F	D ₂			
01150000	M 16	150	100	50	38	14	>6,500		เหล็กกล้าคาร์บอน ชุบสังกะสีตามมาตรฐาน กพค. MILD STEEL HOT DIP GALV. ACC TO PEA. STANDARD.
01150001	M 16	200	150	50	38	14	>6,500		
01150002	M 16	350	150	50	38	14	>6,500		

PRELIMINARY

กองวิจัยและพัฒนา ฝ่ายวัสดุกรรม	กรรไฟฟ้า สอนภูมิภาค	วันที่รับ ถูกควบคุมโดย เขียนโดย แก้ไขครั้งที่ 29 พ.ศ. 2543
.....	สลักหัวไอแวล 16
รองผู้อำนวยการฝ่ายเทคนิค	BOLT, OVAL EYE, M 16	แบบเลขที่ SBI-015/22018



FORGED OVAL EYE

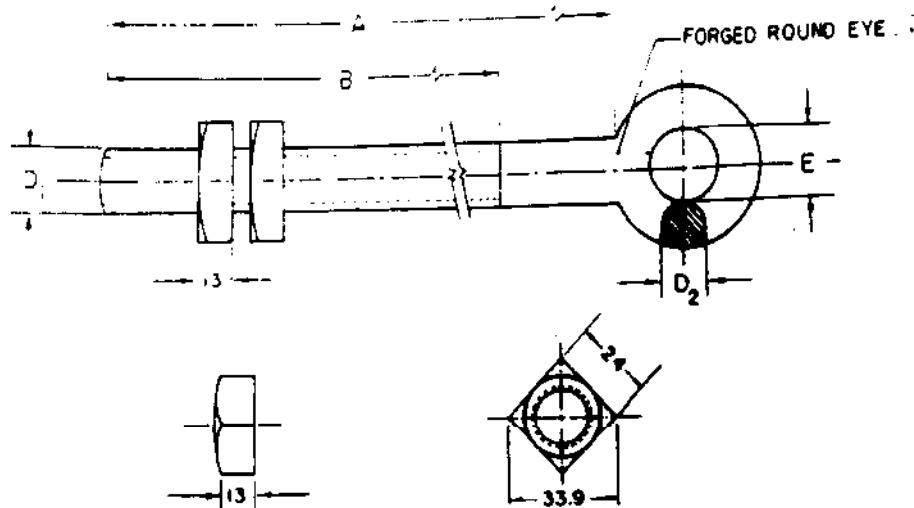


PRELIMINARY

วัสดุ/เลขที่ MATERIAL NUMBER	ขนาด DIMENSIONS IN mm.						แรงยึดเหนี่ยว กก. BREAKING STRENGTH kg.	น้ำหนัก กก./100 ชิ้น WEIGHT kg./100Pcs	วัสดุและการฉาบบนผิว MATERIAL & SURFACE FINISHING
	D ₁	A	B	E	F	D ₂			
01180100	M 20	350	150	50	38	16	≥12,000		เหล็กกล้าคาร์บอน ชุบเคลือบสีตามมาตรฐาน กพค. STEEL HOT DIP GALV. ACC. TO PEA. STANDARD.
01150101	M 20	450	200	50	38	16	≥12,000		

PRELIMINARY

กองวิจัยและทดสอบ ฝ่ายวัสดุกรรม	การไฟฟ้าส่วนภูมิภาค	ชื่อ.....
ผู้เขียน..... ผู้ตรวจ..... วิศวกร..... หัวหน้าแผนก..... หัวหน้ากอง..... ผู้อำนวยการแผนก.....	ชื่อ..... ตำแหน่ง..... สลักหน้าชื่อเหล็ก, เอ็น 20	ตำแหน่งโดยแผน..... เงินเดือนจริงวันที่..... แก้เพิ่มในที..... มีตำแหน่ง..... มาตรฐาน.....
รองผู้อำนวยการฝ่ายเทคนิค	BOLT, OVAL EYE, M20	แบบเลขที่ SBI-015/22019 แผ่นที่ 1 ของจำนวน 1 แผ่น



วัสดุเลขที่ MAT. NO.	มิติ DIMENSION IN mm.					แรงปรลัย กก. BREAKING STRENGTH (kgf.)	น้ำหนัก กก./๑๐๐ชิ้น WEIGHT kg./100 Pcs.	วัสดุ ลาบผิว MATERIAL, SURFACE FINISHING
	D ₁	A	B	E	D ₂			
-	M16	150	100	22	12	5,000	≈ 25.5	เหล็กกล้า อบชุบแข็งตามมาตรฐาน ของ กพท. STEEL HOT DIP GALV. ACC. TO PEA. STANDARD

หมายเหตุ : ถ้าหากไม่ระบุไว้เป็นอย่างอื่น
สลักเกลียวหัวกลมประกอบด้วย
น็อตสี่เหลี่ยม 2 ตัว

NOTE : IF NOT OTHERWISE INDICATED
THE BOLT, ROUND EYE, IS
FITTED WITH TWO SQUARE NUTS.

PRELIMINARY

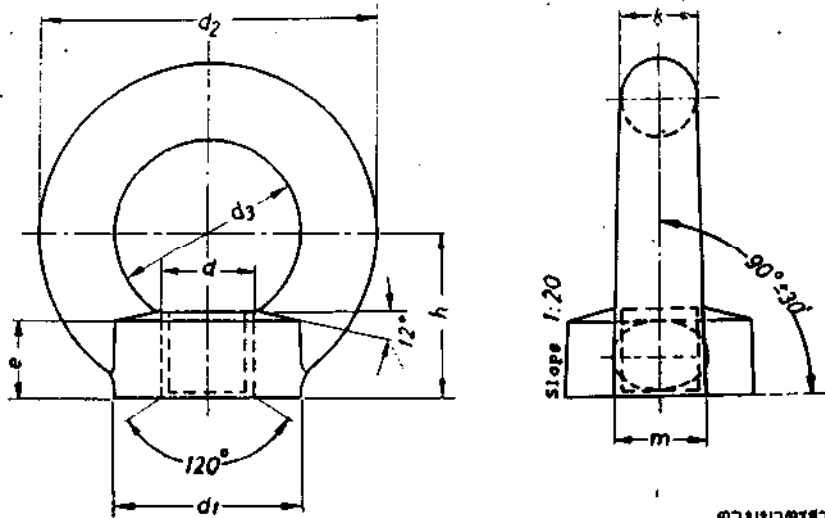
กองวิศวกรรมโยธาและเครื่องกล สำนักวิศวกรรม การรถไฟแห่งประเทศไทย

ฉบับที่
วันที่ 29 no.2539

สลักเกลียว หัวกลม
BOLT, ROUND EYE

เลขที่ SA2-015/99018
หน้า 1 จาก 1

PRELIMINARY

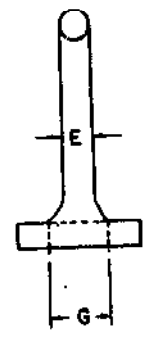
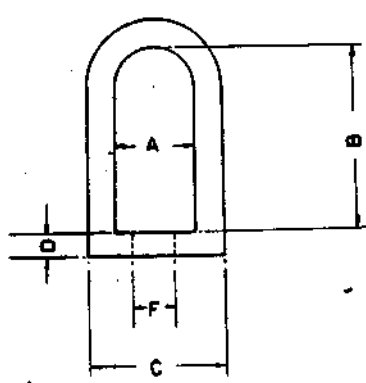


ตามมาตรฐานคีน
ACC. TO DIN 582

วัสดุเลขที่ MAT. NO.	มิติ มม. DIMENSIONS IN mm.								น้ำหนัก กก./100 ชิ้น WEIGHT IN kg./100 Pcs.	วัสดุตามผิว หมายเหตุ MAT. SURF. FINISHING, REMARKS
	d	d ₁	d ₂	d ₃	e	h	k	m		
01180001	M16	35	63	35	13	30	14	16	~ 23.8	วัสดุตามมาตรฐาน คีน 582 อบสังกะสี MAT. ACC. TO A-DIN 582 HOT GALV.

กองวิศวกรรม	การไฟฟ้าส่วนภูมิภาค	ใช้แทนแบบ K31-09068
ผู้เขียน <i>สมชาย วัฒนา</i>	ผู้ทำการ <i>พลเอก</i>	ถูกแทนโดยแบบ.....
ผู้สำรวจ		เขียนเสร็จวันที่ 21.04.2546
วิศวกร <i>สมชาย</i>	ให้รูปท่าง คีน 582	แก้แบบวันที่.....
หัวหน้าแผนก <i>สมชาย</i>	03 สกรู, นัท, แร่น, ตะปู, ตะปู, สองขา	มิติเป็น มม.
ผู้อำนวยการกอง <i>สมชาย</i>		มาตราส่วน.....
รองผู้อำนวยการฝ่ายเทคนิค <i>สมชาย</i>	NUT EYE, DIN 582	แบบเลขที่ SQ-05/16004
	03 SCREWS, NUT, WASHERS, NAILS, STAPLES	แผ่นที่ 1 ของจำนวน 1 แผ่น

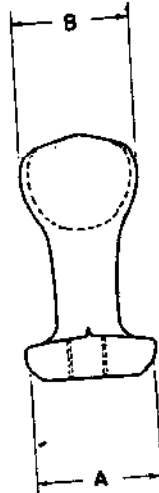
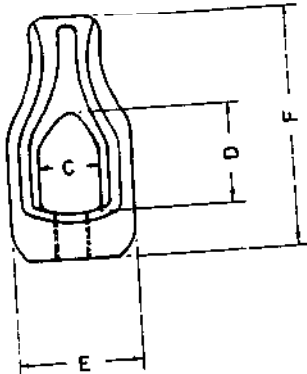
PRELIMINARY



วัสดุ MATERIAL NUMBER	ขนาด DIMENSIONS						แรงดึง BREAKING STRENGTH kg.	สำหรับ FOR BOLT	วัสดุ MATERIAL & ผิว SURFACE FINISHING
	A	B	C	D	E	F x G			
01180002	32 (1 1/4")	76 (3")	57 (2 1/4")	10 (3/8")	13 (1/2")	21 x 29 (1 1/8" x 1 1/8")	≥ 8,320	M 20 (3/4")	มาตรฐาน NEMA STANDARD NO. PH 5 ชุบสังกะสีตามมาตรฐาน HOT DIP GALV. ACC. TO ASTM A183

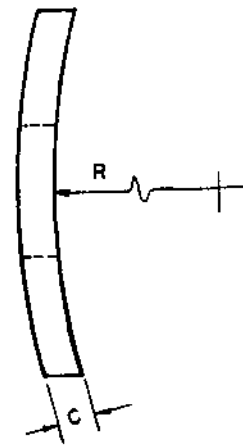
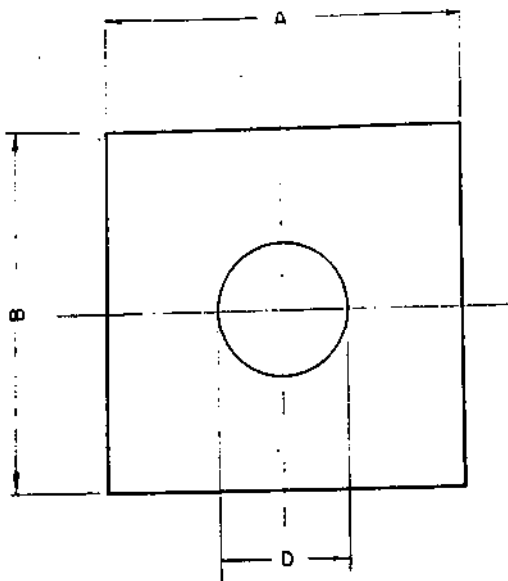
กองวิจัยและพัฒนา ฝ่ายวิศวกรรม	การให้พัสดุภูมิภาค	เจ้าหน้าที่.....
ผู้ควบคุม..... ผู้ตรวจ..... หัวหน้าแผนก..... หัวหน้ากอง..... ผู้อำนวยการฝ่าย.....	พัสดุ..... 01180002 สายเคเบิล	ถูกแทนโดย..... เงินงบประมาณ..... 5,309.24 เกินงบ..... ชนิดเป็น..... งบ พัสดุ.....
รองผู้อำนวยการเทคนิค	01180002 EYELET	แผนเลขที่ SBI-015/2202B วันที่.....

PRELIMINARY



วัสดุ MATERIAL NUMBER	ขนาด DIMENSIONS IN mm.						แรงดึง BREAKING STRENGTH kg.	ขนาดเกลียว FOR BOLT	ขนาด FOR STEEL STRANDED WIRE mm.	วัสดุผิวหน้า MATERIAL & SURFACE FINISHING
	A	B	C	D	E	F				
01180003	38	38	22	35	47	82	> 6,500	M 16	25 - 50	เหล็กforged ชุบสังกะสี มาตรฐาน กพ. FORGED STEEL
01180004	38	38	22	35	47	82	> 8,200	M 20	50 - 95	STEEL HOT DIP GALV. ACC. TO PEA. STANDARD

กองวิจัยและทดสอบ ฝ่ายวิศวกรรม	การให้เข้าด้านภูมิภาค	ใช้แทนแบบ
ผู้เขียน: <i>[Signature]</i>	ผู้ตรวจ: <i>[Signature]</i>	ถูกแทนโดยแบบ
ผู้ตรวจสอบ: <i>[Signature]</i>	กทเบ็ดสายเหล็ก	เขียนเสร็จวันที่
หัวหน้ากอง: <i>[Signature]</i>		แก้ไขวันที่
ผู้อำนวยการฝ่าย: <i>[Signature]</i>		แก้ไขวันที่
รองผู้อำนวยการฝ่ายเทคนิค	NUT, EYE, THIMBLE	มาตรฐาน
		แบบเลขที่ SBI-015/22029
		หน้า 1 ของจำนวน 1 หน้า



PRELIMINARY

วัสดุเลขที่ MAT. NO.	ขนาด DIMENSIONS IN MM.					น้ำหนัก/100 ชิ้น WEIGHT IN kg./100 Pcs.	วัสดุ, มาตรฐาน, หมายเหตุ MATERIAL, SURFACE - FINISHING, REMARKS
	A	B	C	D	R		
01180200	50	50	5	18	125	~ 8.82	เหล็กอ่อน, อัดผงกรด MILD STEEL, HOT GALV.
01180201	60	60	5	22	125	~ 12.65	เหล็กอ่อน, อัดผงกรด MILD STEEL, HOT GALV.

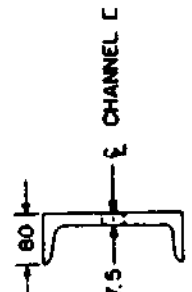
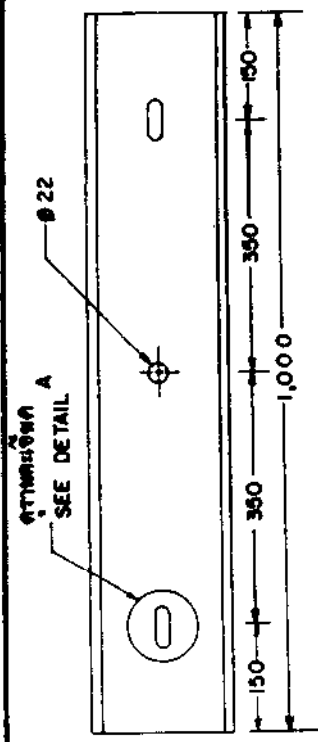
GERMAN ADVISORY TEAM - PROVINCIAL ELECTRICITY AUTHORITY

มาตราส่วน SCALE	วันที่ DATE 23/9/66	หน่วยงาน 03 screws, nuts, washers, nails, staples
FOR G. A. T.	FOR P. E. A. Draw. by <i>[Signature]</i>	WASHER, CURVED, SQUARE. 03 SCREWS, NUTS, WASHERS, NAILS, STAPLES.
<i>[Signature]</i> 23-10-66	<i>[Signature]</i> 30 mm x 5 mm	K 31
		09073
		SHEET NO. 1 OF 1

PRELIMINARY

ASSEMBLY NO.

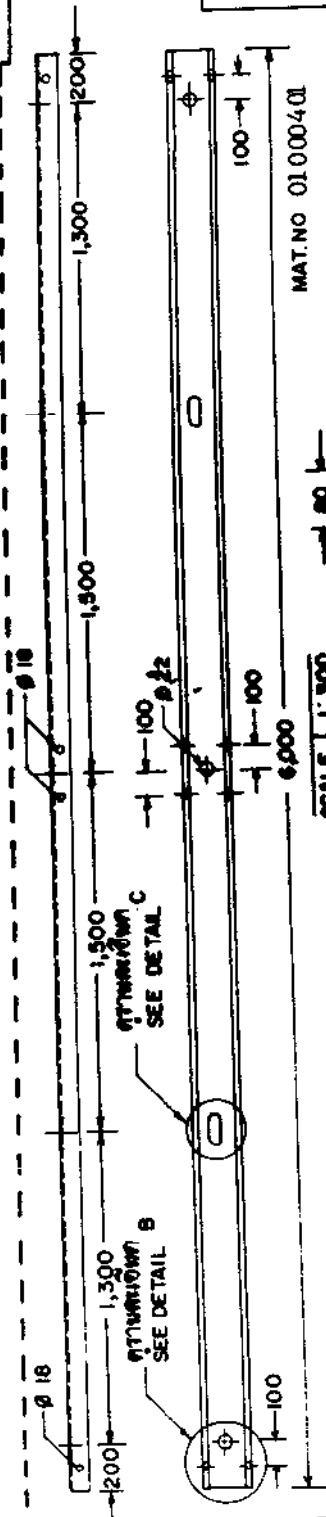
MAT. NO. 01 0004 00



SCALE 1:10

DETAIL A 1:10

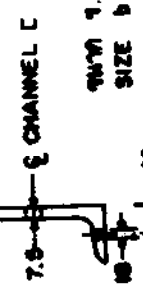
ATTENTION B
SEE DETAIL



SCALE 1:300

DETAIL C 1:10

MAT. NO. 01 0004 01



DETAIL B 1:10

NOTE:

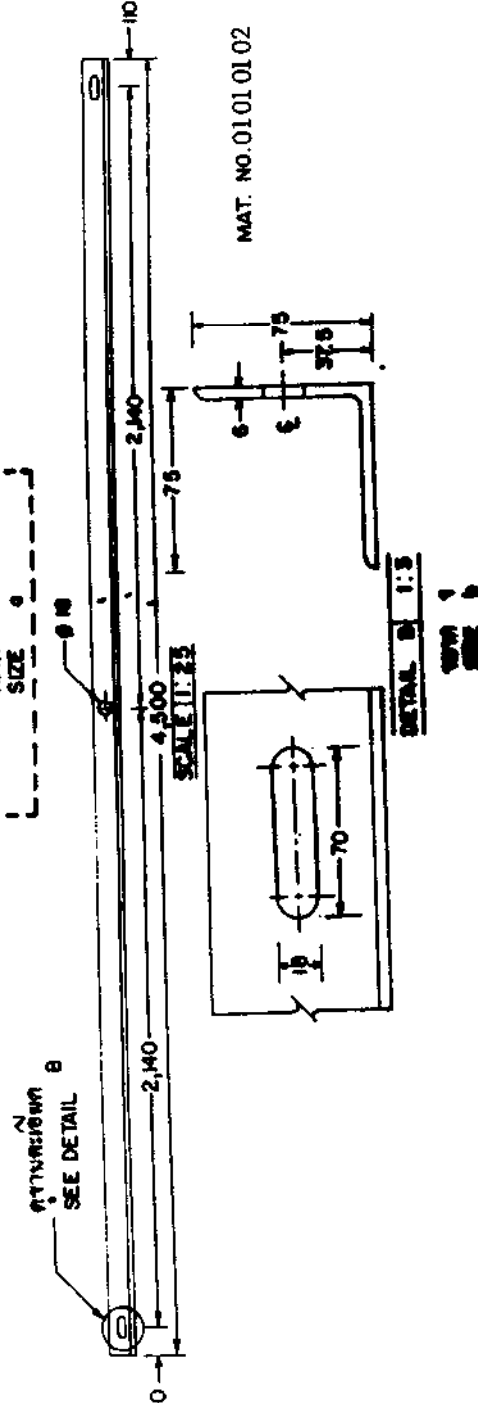
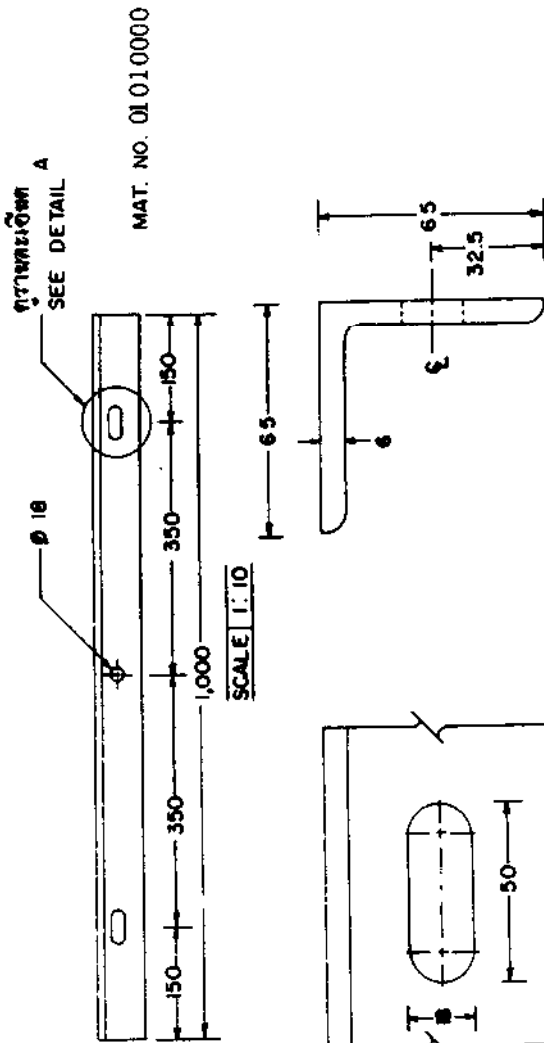
1. ALL DIMENSIONS ARE IN mm
2. CHANNEL STEEL ACCORDING TO TIS 116 TABLE 6 *
3. HOT - DIP GALVANIZED

* CHANGE TO TIS 1227 TABLE 4

<p>Handwritten notes and signatures in Thai script.</p>	<p>Handwritten notes and signatures in Thai script.</p>	<p>Handwritten notes and signatures in Thai script.</p>
<p>CHANNEL STEEL BEAM</p> <p>a. SIZE 200 X 80 X 7.5 mm 1,000 mm LONG</p> <p>b. SIZE 200 X 80 X 7.5 mm 6,000 mm LONG</p>		<p>Handwritten notes and signatures in Thai script.</p>

PRELIMINARY

ASSEMBLY NO.

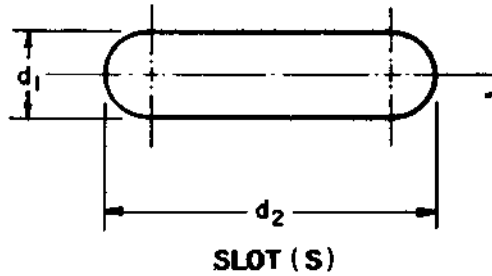
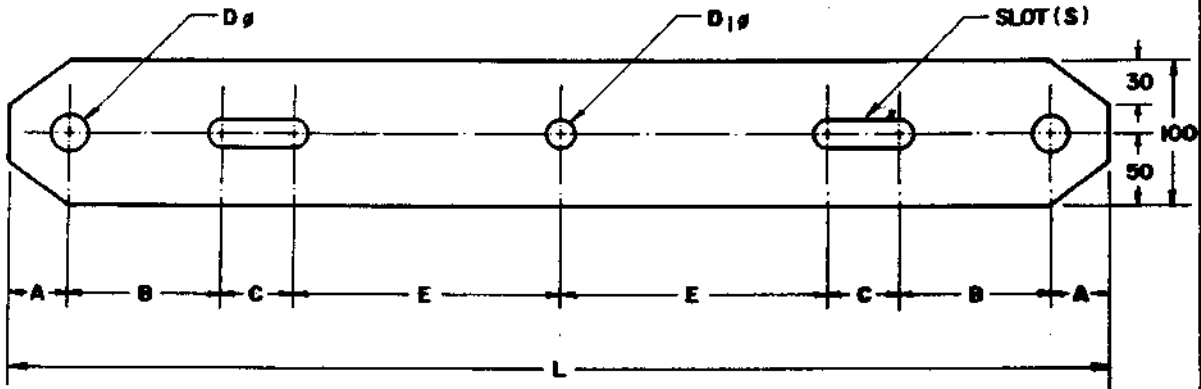


- NOTE:
1. ALL DIMENSIONS ARE IN mm
 2. ANGLE STEEL ACCORDING TO TIS 116 TABLE 3*
 3. HOT-DIP GALVANIZED
- * CHANGE TO TIS 1227 TABLE 2

30

<p>17 NOV 23</p>	
<p>MM</p>	
<p>10, 12, 125, 1.5</p>	
<p>SA2-05/23009</p>	
<p>ANGLE STEEL BEAM</p>	
a. SIZE	65 X 65 X 6 mm
b. SIZE	75 X 75 X 6 mm

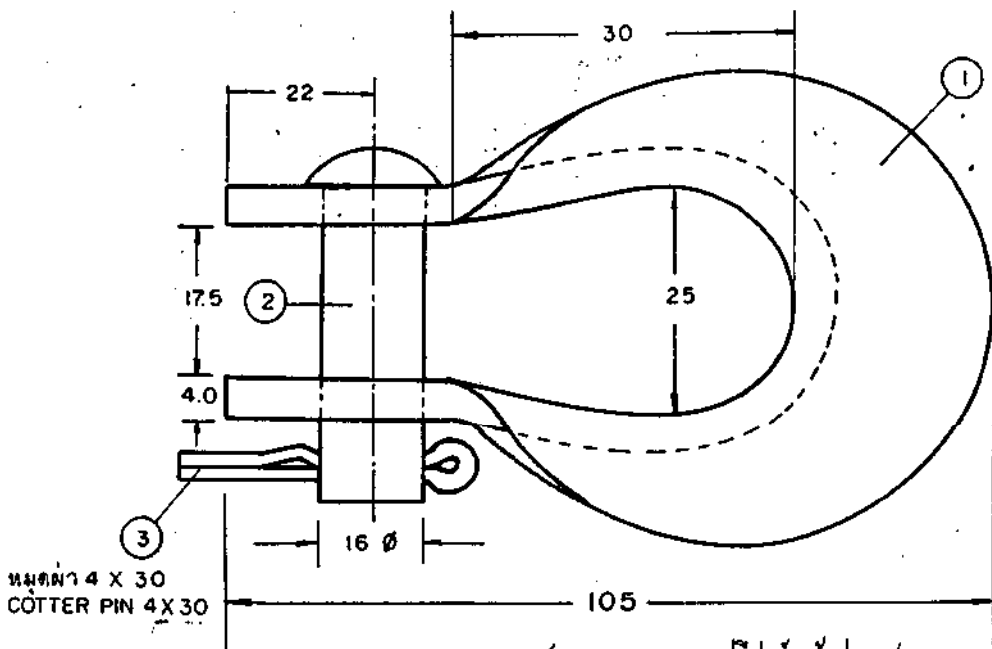
การประกอบเหล็ก
ASSEMBLY NO.



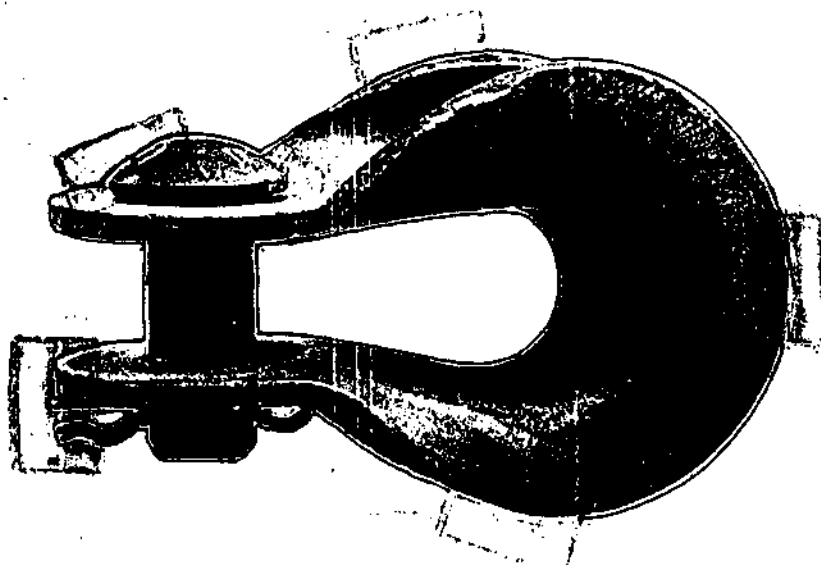
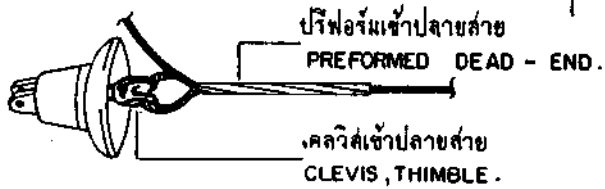
MATERIAL NUMBER	DIMENSIONS IN mm.									MATERIAL & SURFACE FINISHING
	STEEL SIZE	L	A	B	C	E	D _φ	D _{1φ}	S (d ₁ x d ₂)	
01030102	12 X 100	760	40	105	50	185	24	18	18 X 68	FLAT STEEL BARS TIS. 55 HOT DIP GALV.

PRELIMINARY

กองช่างการขุดไฟฟ้าและเครื่องกล ฝ่ายช่างการขุด	การไฟฟ้าส่วนภูมิภาค	ใช้แทนแบบ
ผู้เขียน	ผู้ตรวจ	กำหนดโดยแบบ
ผู้สำรวจ (วิศวกร)		เขียนโดยจำนวนที่ 30 ม.ท. 28
ผู้จัดทำแบบก่อสร้าง (สถาปนิก)		กำหนดขนาดหน้าตัด
ผู้ส่งแบบการก่อสร้าง		มีลักษณะ
ผู้ดำเนินการก่อสร้าง		ขนาดการฝัง
รองผู้ว่าการช่างเทคนิค	PLATE, STEEL, DOUBLE ARMING 12X100.....	แบบเลขที่ SA2-015/28002
		แผ่นที่ 1 ของจำนวน 1 แผ่น



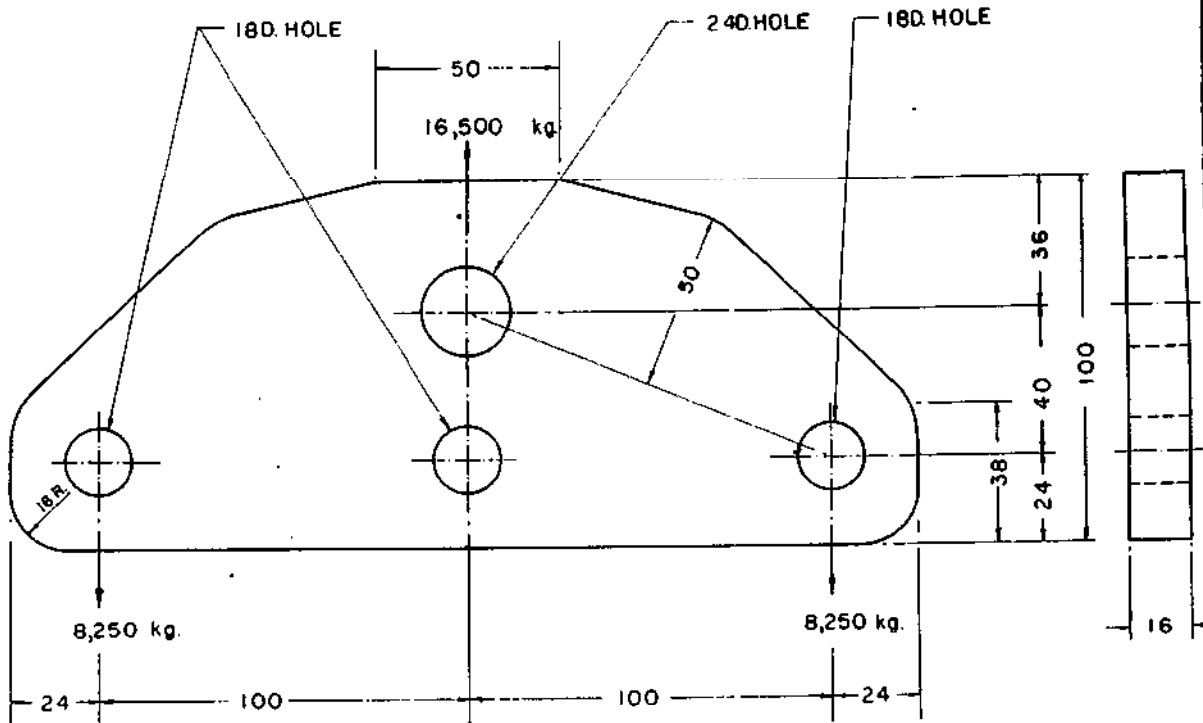
ขนาด 4 X 30
COTTER PIN 4 X 30



PRELIMINARY

กองวิจัยและทดสอบ	การไฟฟ้าส่วนภูมิภาค	ใช้แบบฉบับ.....
ผู้เขียน <i>อดุลย์ / อดุลย์</i>	ผู้ทำการ <i>อดุลย์ / อดุลย์</i>	ถูกแก้ไขโดยแบบ.....
วิศวกร <i>อดุลย์ / อดุลย์</i>	03140011 ทิมเบิลสลึงสำหรับปรีฟอร์มเข้าปลายสาย	เขียนเสร็จวันที่ 15/12/19.....
หัวหน้าแผนก <i>อดุลย์ / อดุลย์</i>		แก้ไขวันที่.....
หัวหน้ากอง <i>อดุลย์ / อดุลย์</i>		ชนิดเป็น.....
รองผู้อำนวยการฝ่ายเทคนิค	03140011 CLEVIS, THIMBLE, FOR PREFORMED DEAD-END	มาตรฐาน <i>ส.ส.</i>
		แบบเลขที่ S01-015/19058
		หน้า 1 จากจำนวน 2 หน้า

PRELIMINARY

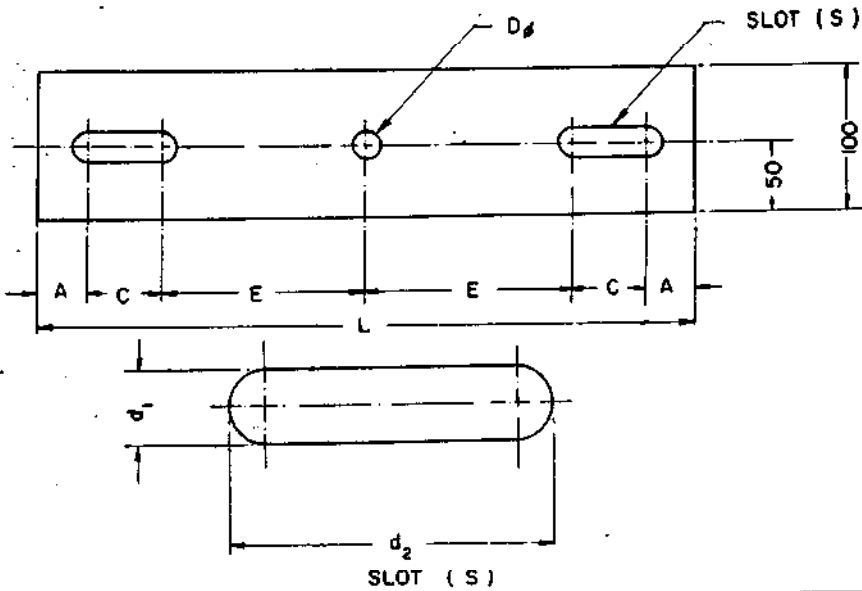


DIMENSIONS IN mm.

วัสดุเลขที่	03140013
MATERIAL NUMBER	
พหุคูณขั้นต่ำ	กก.
ULTIMATE STRENGTH	≥ 16,500
วัสดุ : เหล็กกล้าผสม	
MATERIAL : MILD STEEL	
การฉาบผิว : ฉาบสีเคลือบตามมาตรฐาน กพด.	
SURFACE FINISHING : HOT DIP GALV. ACC. TO PEA. STANDARD.	

กองวิจัยและทดสอบ ฝ่ายวิศวกรรม	การไฟฟ้าส่วนภูมิภาค	วันที่พิมพ์
ผู้เขียน	ผู้ตรวจ	การอนุมัติ
ผู้ตรวจสอบ	03140013 แผ่นเหล็กหยกสาย	วันที่
ผู้ดำเนินการ	03140013 SPACER, PLATE	เลขที่ SBI-015/220.42
.....

PRELIMINARY

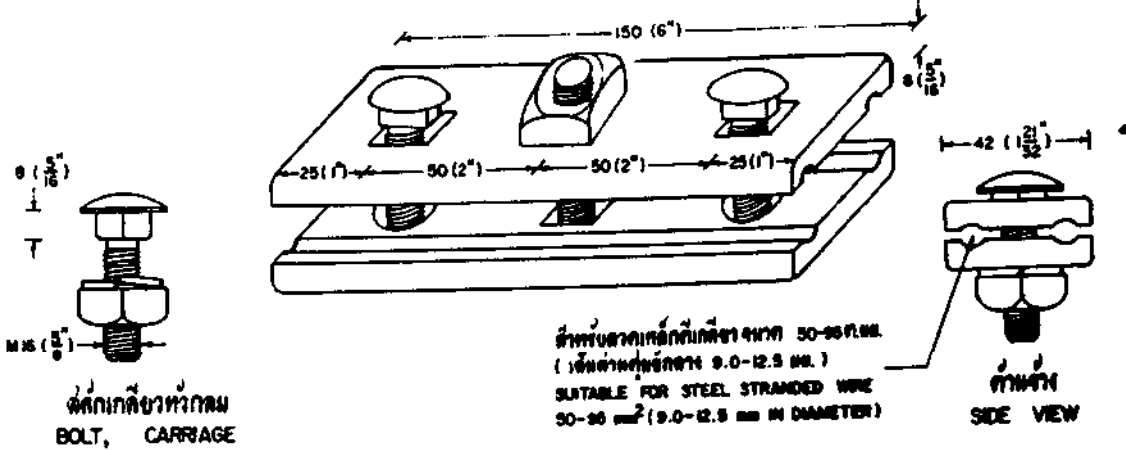


วัสดุเหล็ก MATERIAL NUMBER	ขนาดเหล็ก STEEL SIZE	มิติ DIMENSIONS						รูตัดและการตกแต่งผิว MATERIAL & SURFACE FINISHING
		L	A	C	E	D _φ	S (d ₁ x d ₂)	
01030002	6 x 100	450	35	50	140	18	18 x 68	เหล็กพื้นธรรมดา มอก. 55 อาบสังกะสีมาตรฐาน กพท. FLAT STEEL BARS ACC. TO TIS. 55
0103 0003	6 x 100	500	30	60	160	18	18. x 78	HOT DIP GALV. ACC. TO PEA. STANDARD.

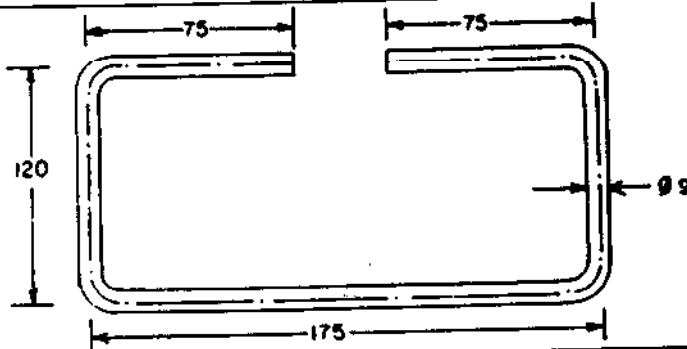
กองวิจัยและทดสอบ ฝ่ายวิศวกรรม	การไฟฟ้าส่วนภูมิภาค	ใช้แทนแบบ ถูกแทนโดยแบบ เดือนตุลาคม 5 คค. 22
ผู้เขียน: <i>[Signature]</i> ผู้ตรวจ: <i>[Signature]</i> ผู้ร่าง: <i>[Signature]</i> หัวหน้า: <i>[Signature]</i> ผู้ควบคุม: <i>[Signature]</i>	รายการ: <i>[Handwritten]</i> วันที่: <i>[Handwritten]</i> แผ่นเหล็ก ขนาด 6 x 100	แก้ไขครั้งที่ ครั้งที่ มาตราส่วน 1: 5
รองผู้อำนวยการเทคนิค <i>[Signature]</i>	PLATE, STEEL, 6 X 100.....	ฉบับเลขที่ SBI-015/22015 แผ่นที่ 1 ของจำนวน 1 แผ่น

PRELIMINARY

ALL DIMENSIONS ARE IN mm (INCH)

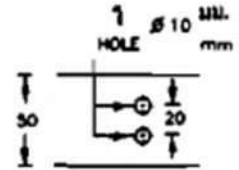
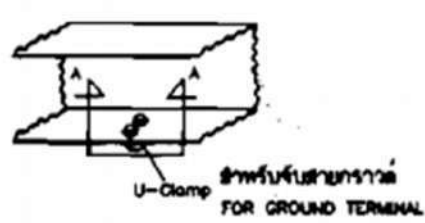
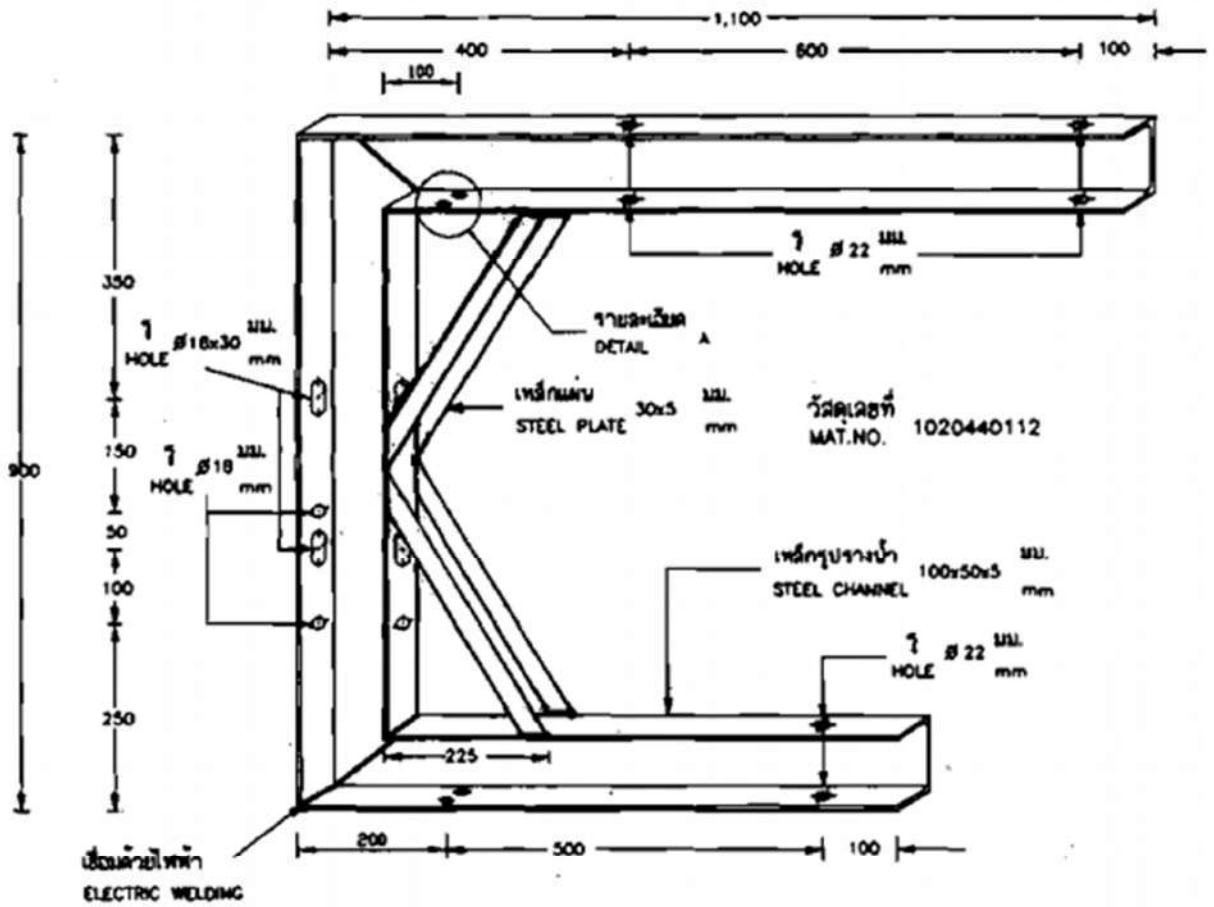


วัสดุเลขที่ MATERIAL NUMBER	02440102
ชนิด DESCRIPTION :	คานงัดสามเกลียว CLAMP, GUY, TRIPLE BOLT
วัสดุ MATERIAL	เหล็กม้วน MLD STEEL
งานผิว SURFACE FINISHING	ชุบสังกะสี HOT DIP GALV.
น้ำหนัก WEIGHT	



วัสดุเลขที่ MATERIAL NUMBER	02440103
ชนิด DESCRIPTION :	คานงัดสายเคเบิล LINK, CABLE SPACER
วัสดุ MATERIAL	เหล็กเส้นกลม Ø 9 มม. ตาม มอก. 20 STEEL ROUND BAR Ø 9 mm ACC. TO TIS. 20
งานผิว SURFACE FINISHING	ชุบสังกะสี HOT DIP GALV.
น้ำหนัก WEIGHT	

ขอตรวจสอบใบพิมพ์และเครื่องวัด ค่าขั้วตัวกรรม	การไฟฟ้าส่วนภูมิภาค	ให้ตามแบบ.....
ผู้เขียน <i>สมชาย ธรรม</i> ผู้ตรวจ <i>สมชาย ธรรม</i> วิศวกร <i>สมชาย ธรรม</i> หัวหน้าแผนกงาน <i>สมชาย ธรรม</i> หัวหน้ากอง <i>สมชาย ธรรม</i> ผู้อำนวยการฝ่าย		ถูกเกณฑ์โดยแบบ..... เดือนปีที่รับวันที่ 22.ก.ค. 23 แก้ไขวันที่ 7. ก.ค. 2530 ฉบับเป็น <i>มด.</i> (<i>มด.</i>) มาตราส่วน.....
รองผู้อำนวยการฝ่ายเทคนิค	CLAMP, GUY AND LINK, CABLE SPACER	แบบเลขที่ SA2-05/23024 แผ่นที่ <i>1</i> ของจำนวน <i>1</i> แผ่น



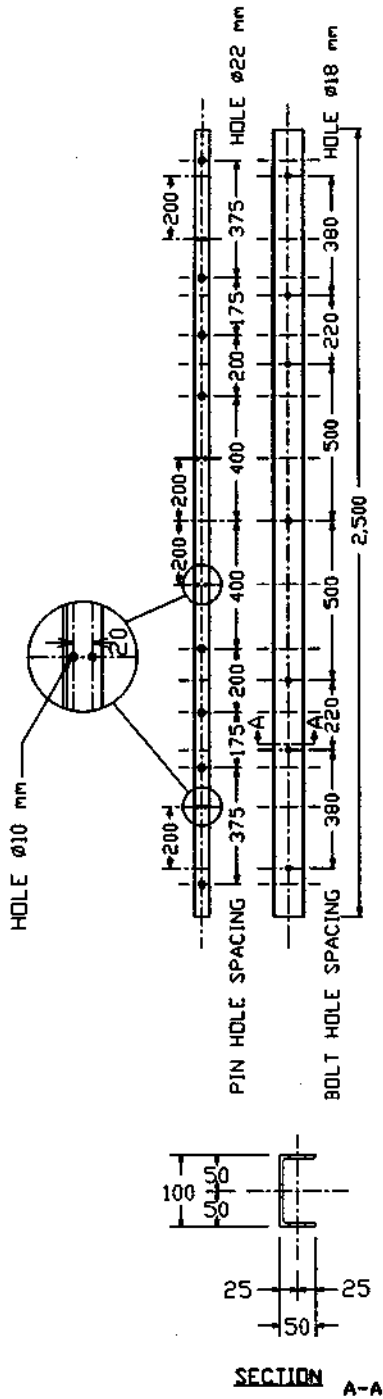
รายละเอียด A จุดต่อสายดิน GROUND TERMINAL ภาพตัด A-A SECTION

- หมายเหตุ: 1 เหล็กทรงรางน้ำเป็นชนิดมาตรฐาน มอก. 1227 ตารางที่ 4
 2 ให้อบสังกะสีหลังจากการประกอบ โดยวิธีจุ่มร้อน และมีความหนาสังกะสีเฉลี่ยไม่น้อยกว่า 85 ไมครอน
- NOTES: 1 STEEL CHANNEL ACCORDING TO TIS 1227, TABLE 4.
 2 AFTER FABRICATION, THE BRACKET SHALL BE GALVANIZED BY HOT-DIP PROCESS AND THE MINIMUM AVERAGE THICKNESS OF ZINC-COATING SHALL BE NOT LESS THAN 85 MICRONS.

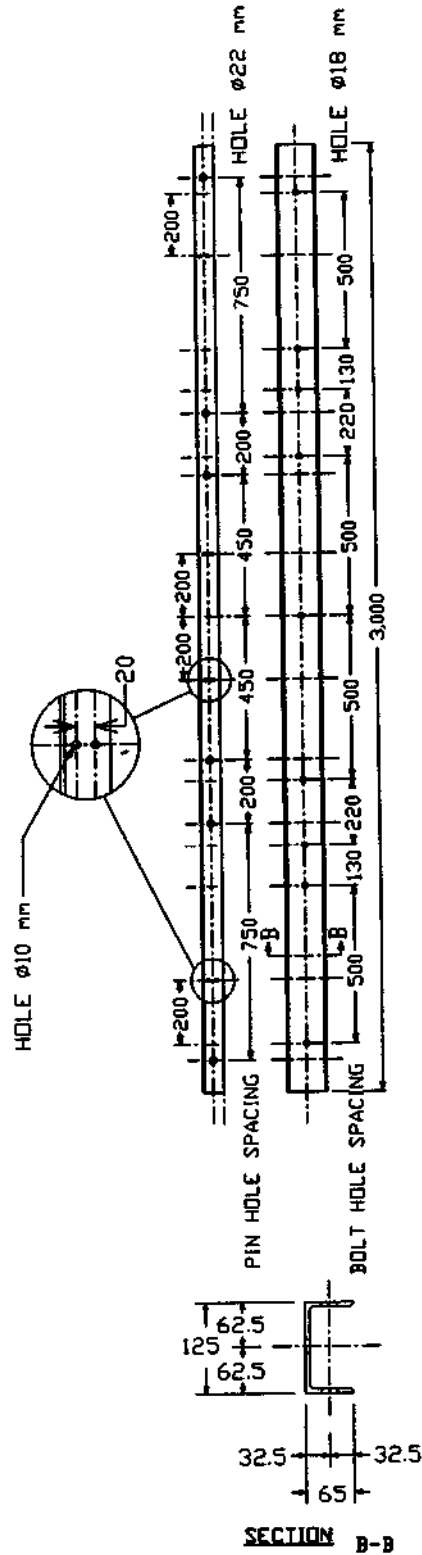
กองวิศวกรรมไฟฟ้าและเครื่องกล ฝ่ายวิศวกรรม การไฟฟ้าส่วนภูมิภาค

มิติเป็น มิลลิเมตร	เหล็กคอนกรีตเสริมเหล็ก สำหรับระบบ 22 kV และ 33 kV	แบบเลขที่ SB3-015/64004
วันที่ 11 พ.ย. 2564	AERIAL CABLE CORNER SUPPORT BRACKET FOR 22 kV AND 33 kV SYSTEMS	แผ่นที่ 1 ของจำนวน 1 แผ่น

PRELIMINARY



CHANNEL STEEL CROSSARM , 100 X 50 X 5 mm , 2,500 mm LONG



CHANNEL STEEL CROSSARM , 125 X 65 X 6 mm , 3,000 mm LONG

NOTES

1. CHANNEL STEEL ACCORDING TO TIS 1227 TABLE 4
2. TO BE HOT DIP GALVANIZED ACCORDING TO PEA STANDARD

กองวิศวกรรมไฟฟ้าและเครื่องกล ฝ่ายวิศวกรรม การไฟฟ้าส่วนภูมิภาค

มิติเป็น มิลลิเมตร

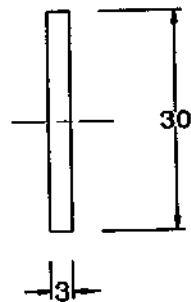
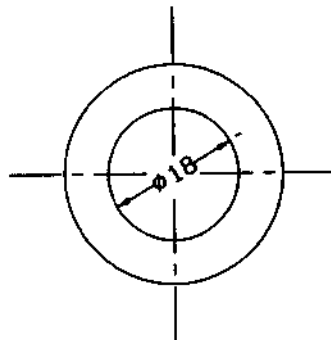
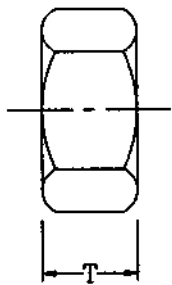
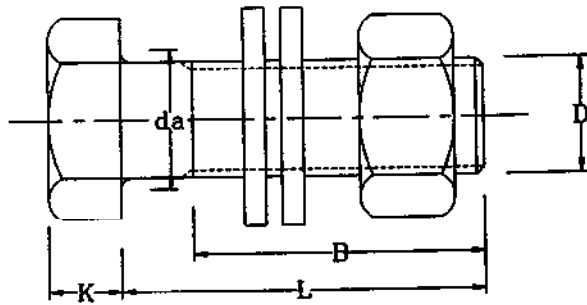
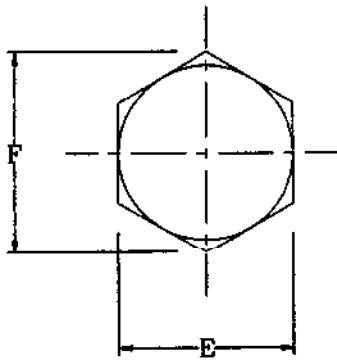
วันที่ 17 ธันวาคม 2539

CHANNEL STEEL CROSSARM FOR 22-33 KV

แบบเลขที่ SA2-015/39025

แผ่นที่ 1 ของจำนวน 1 แผ่น

PRELIMINARY



นัทหกเหลี่ยม

NUT, HEXAGON, DIN. 555

แหวนกลมแบน
WASHER, ROUND, FLAT

วัสดุเลขที่ MAT. NO	มิติ มม. DIMENSIONS IN mm								แรงประลัย (กก.) BREAKING STRENGTH (kgf)	น้ำหนัก กก./100 ชิ้น WEIGHT kg/100 Pcs.	วัสดุและการฉาบผิว MATERIAL AND SURFACE FINISHING
	D	L	B	K	E	F	da. max.	T			
-	16	50	40	10	24	27.7	19.2	13	5,000		เหล็กกล้า อาบสังกะสี ตาม มาตรฐานของ กพท. STEEL HOT DIP GALVA- -NIZED ACC. TO PEA STANDARD.

กองวิศวกรรมไฟฟ้าและเครื่องกล ฝ่ายวิศวกรรม การไฟฟ้าส่วนภูมิภาค

มิติเป็น มิลลิเมตร

สลักเกลียว หัวหกเหลี่ยม เอ็ม 16x50

แบบเลขที่ SA2-015/40001.

วันที่ 10 มกราคม 2540

BOLT, MACHINE, HEXAGON M.16x50

แผ่นที่ 1 ของจำนวน 1 แผ่น



การกำหนดระยะเวลาในการส่งรายงานผลการทดสอบเฉพาะแบบ (Type test report)

และระยะเวลาในการจัดส่งตัวอย่างเพื่อประกอบการพิจารณาจัดหา

Specification No.:

-

Approved date: 21/12/2560

Rev. No.: -

Form No.: -

Page 1 of 1

เอกสารเพิ่มเติมแนบท้ายรายละเอียดสเปค

(ADDENDUM)

เอกสารเพิ่มเติม (ADDENDUM) นี้ ให้อธิเป็นส่วนหนึ่งของรายละเอียดสเปคที่เอกสารฯ นี้ได้แนบอยู่ด้วย

1. การกำหนดระยะเวลาในการส่งรายงานผลการทดสอบเฉพาะแบบ (Type test report)

หากรายละเอียดสเปคกำหนดให้ผู้เสนอราคาจะต้องจัดส่งรายงานผลการทดสอบเฉพาะแบบ (Type test report) หรือหนังสือรับรองผลการทดสอบเฉพาะแบบ (Type test certificates) “ให้ผู้เสนอราคาจะต้องจัดส่งรายงานผลการทดสอบเฉพาะแบบ หรือหนังสือรับรองผลการทดสอบเฉพาะแบบมาพร้อมกับการยื่นเอกสารทางเทคนิค” แทนการกำหนดระยะเวลาจัดส่งรายงานฯ ที่ได้ระบุไว้ในรายละเอียดสเปค

ทั้งนี้ ยกเว้นบางพัสดุอุปกรณ์ที่ กฟภ. กำหนดยอมรับให้ทำการทดสอบเฉพาะแบบภายหลังจากที่ทำสัญญากับ กฟภ. แล้ว โดยคู่สัญญาจะต้องจัดส่งรายงานผลการทดสอบฯ ดังกล่าว ก่อนการส่งของนั้น ให้คงรายละเอียดไว้ตามเดิม

2. การกำหนดระยะเวลาในการจัดส่งตัวอย่าง (Sample) เพื่อประกอบการพิจารณาจัดหา

หากรายละเอียดสเปคกำหนดให้ผู้เสนอราคาจะต้องจัดส่งตัวอย่างพัสดุอุปกรณ์ (Sample) เพื่อประกอบการพิจารณาจัดหา “ให้ผู้เสนอราคาจะต้องจัดส่งตัวอย่างพัสดุอุปกรณ์ ภายใน 5 วันทำการ นับถัดจากวันเสนอราคา” แทนการกำหนดระยะเวลาจัดส่งตัวอย่างที่ได้ระบุไว้ในรายละเอียดสเปค

**PROVINCIAL ELECTRICITY AUTHORITY****TECHNICAL SPECIFICATION DIVISION****TOLERANCE**

Specification No. -

Approved date : 31 มี.ค. 2562

Rev. No. : 01

Form No. : -

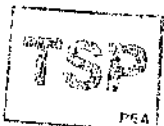
Page 1 of 2

ภาคผนวก (Addendum)

ที่	รายละเอียด	ค่าความคลาดเคลื่อน (มิลลิเมตร)		สัญลักษณ์	รูปที่
1	ระยะความยาวรวม (ขอบเหล็ก ถึง ขอบเหล็ก)	+ 5	- 3	L	(1)
2	ระยะจากจุดศูนย์กลางรู Slot ถึง ขอบเหล็ก	+ 5	- 3	A	(2)
	ระยะจากจุดศูนย์กลางรูกลม ถึง ขอบเหล็ก				
3	ระยะจากจุดศูนย์กลางรู Slot ถึง จุดศูนย์กลางรู Slot	+ 2	- 2	X1	(3)
4	ระยะจากจุดศูนย์กลางรูกลม ถึง จุดศูนย์กลางรูกลม	+ 1	- 1	X2	(4)
	ระยะจากจุดศูนย์กลางรูกลม ถึง จุดศูนย์กลางรู Slot				
5	ขนาดเส้นผ่านศูนย์กลางรูกลม 10 มิลลิเมตร ถึง 24 มิลลิเมตร	+ 1	- 1	DØ	(5)
	ขนาดรู Slot	+ 1	- 1	d1, d2	
6	ระยะเกลียวถึงปลาย Bolt	+ 8	- 0	B	(6)

หมายเหตุ :

- ภาคผนวกนี้จะไม่นำไปใช้ ในกรณีดังต่อไปนี้
 - มีการกำหนดค่าความคลาดเคลื่อนในข้อกำหนดทางเทคนิคแล้ว
 - ข้อกำหนดทางเทคนิคได้อ้างอิงถึงมาตรฐานอุตสาหกรรม (มอก.) ต่างๆ ซึ่งมีการกำหนดค่าความคลาดเคลื่อนในมาตรฐานอุตสาหกรรม (มอก.) ดังกล่าวแล้ว
- รูปแสดงตัวอย่าง และสัญลักษณ์ ให้ดูที่ Page 2 of 2
- สำหรับการตรวจรับฮาร์ดแวร์ที่ต้องมีการประกอบใช้งานร่วมกับฮาร์ดแวร์อื่นๆ เช่น เหล็กประกบ, คอนเหล็ก เป็นต้น PEA ขอสงวนสิทธิ์ในการทดลองประกอบใช้งานร่วมกับฮาร์ดแวร์ดังกล่าว ในการตรวจรับด้วย





TOLERANCE

Specification No. -

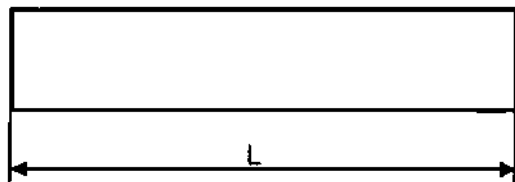
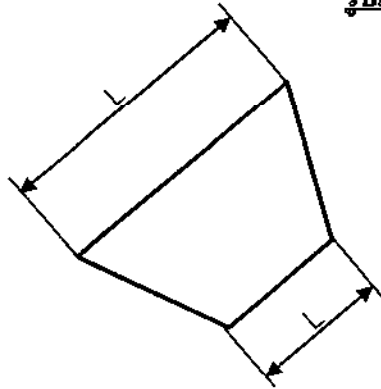
Approved date : 31 มี.ค. 2562

Rev. No. : 01

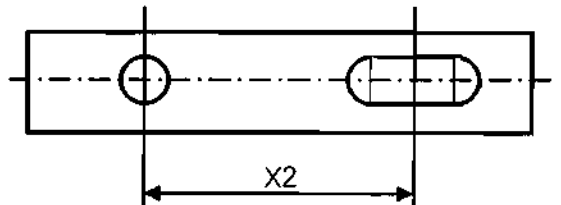
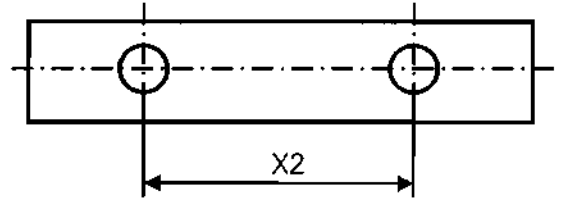
Form No. :-

Page 2 of 2

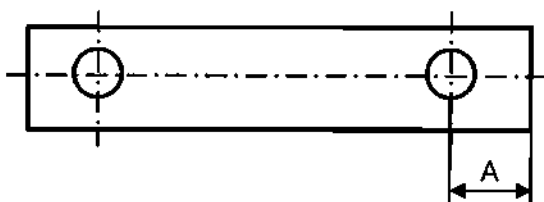
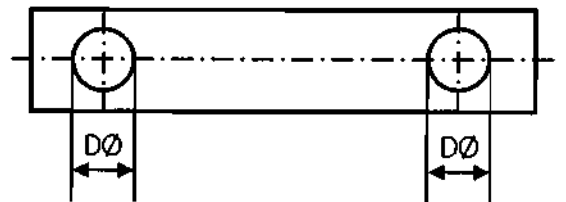
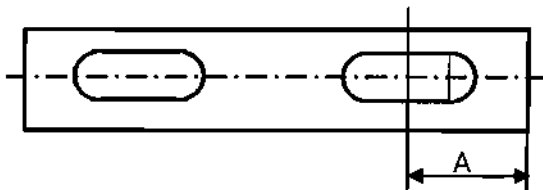
รูปแสดงตัวอย่าง และสัญลักษณ์



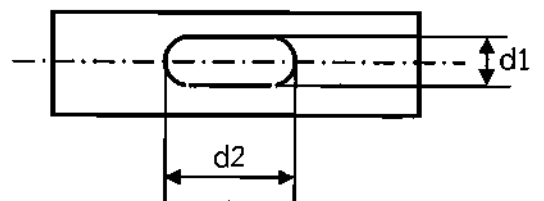
รูปที่ (1)



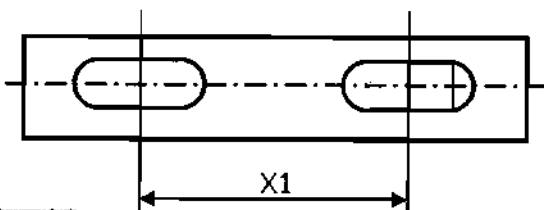
รูปที่ (4)



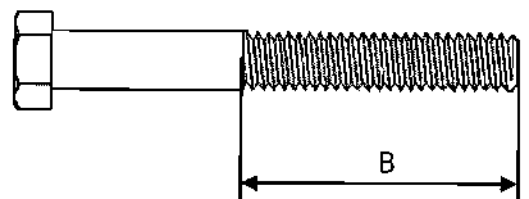
รูปที่ (2)



รูปที่ (5)



รูปที่ (3)



รูปที่ (6)

