



การไฟฟ้าส่วนภูมิภาค
PROVINCIAL ELECTRICITY AUTHORITY

PROVINCIAL ELECTRICITY AUTHORITY

TECHNICAL SPECIFICATION DIVISION

HOTLINE CLAMPS

Specification No.: RHOT-081/2561

Approved date: 1.3 JUN 2018 Rev. No.: 2

Form No. 12-1

Page 1 of 17

Invitation to Bid No.: PEA(S2)กบญ.003/2566

C Material, equipment, and specifications for HOTLINE CLAMPS

C1 General material and packing instructions

Additional to the general instructions, the following shall be observed:

1a Scope

These specifications cover hotline clamps; i.e., protected thread clamps and bail clamps for connection of bare aluminium stranded conductor, aluminium-alloy stranded conductor and aluminium conductor steel reinforced.

1b Standards

Except otherwise specified elsewhere in the specification, hotline clamps shall be manufactured and tested in accordance with the standards listed below.

American National Standards Institute (ANSI):

ANSI C119.4: 2016 Electric connectors – Connectors for use between Aluminum-to-Aluminum and Aluminum-to-Copper Conductors Designed for Normal Operation at or Below 93°C and Copper-to-Copper Conductors Designed for normal Operation at or Below 100°C

PEA will also accept hotline clamps tested in accordance with the later edition of the above standards.

PEA will also accept the Design test report in accordance with the previous edition of the above standards, if there is no significant change in any test items or no additional test item(s) compared with the above standards. On the other hand, if there is significant change in any test items or there are any additional test items, the previous edition Design test report with the additional test report(s) of the significant change test item(s) and/or additional test item(s) will be also accepted.

1c Principal requirement

The contact surface of the hotline clamps shall be thoroughly filled with conduction aid oxide inhibiting compound prevents water and contaminants interfering with the connection, prevents the formation of surface oxide and decreases electrical resistance in the connection area. The minimum thickness of conduction aid oxide inhibiting compound in the connection area shall be 0.5 mm.





HOTLINE CLAMPS

Specification No.: RHOT-081/2561

Approved date: 13 JUN 2018 Rev. No.: 2

Form No. 12-1

Page 2 of 17

1c.1 Hotline protected thread clamp

The hotline protected thread clamp shall be suitable for using with bail (tin plated hard draw copper) of hotline bail clamp.

Hotline protected thread clamp shall be suitable for using with clampstick according to standard ASTM F1825-03.

Dimension of the hotline protected thread clamp shall be according to **Figure 1**.

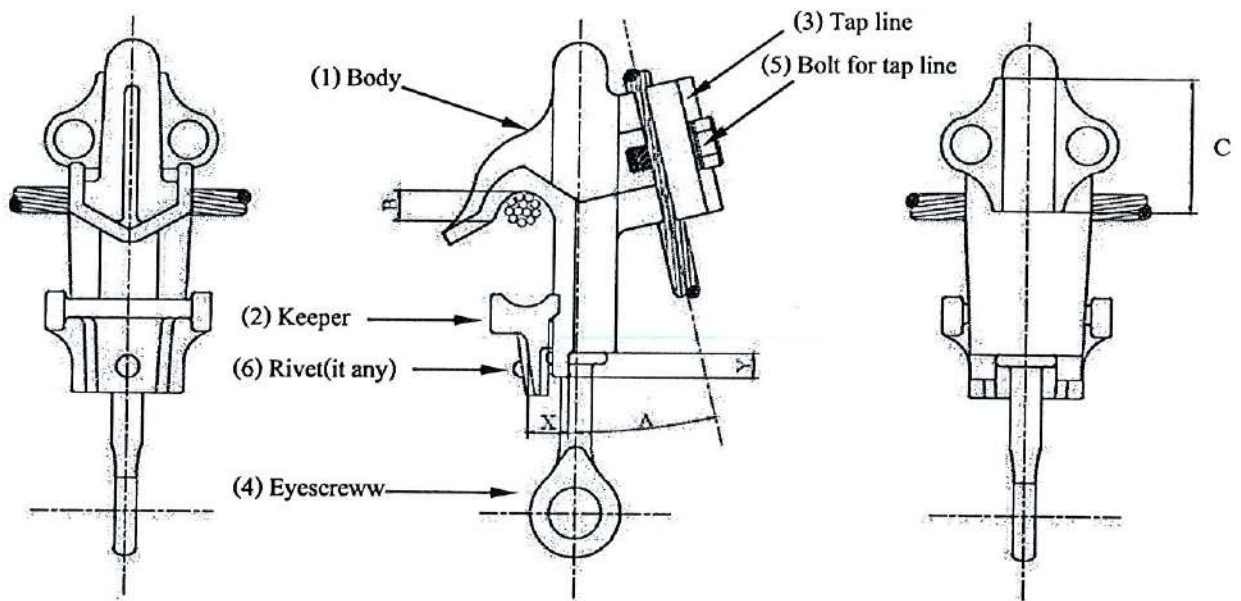


Figure 1

Note:

- Dimension of clamp base (clamp base shall be able to align into notch of clampstick)
Max, width (X) 12.2 mm
Min, depth (Y) 7.6 mm
- Dimension of body
Min, depth (B) 14 mm
Min, length (C) 45 mm
- Dimension of tap line shall have the same minimum length (C) 45 mm of the body
- Angle between body and tap line
The angle (A) shall be between 20 and 30 degrees according to **Figure 1**.
- Eyescrew size of hotline protected clamp shall not less than 7/16 inch and withstand tightening torque of at least 240 lbf•in.
- Bolt(s) for tap line of hotline protected clamp shall not less than 7/16 inch and withstand tightening torque of at least 240 lbf•in.



HOTLINE CLAMPS

Specification No.: RHOT-081/2561

Approved date: 1.3 JUN 2018

Rev. No.: 2

Form No. 12-1

Page 3 of 17

Hotline protected thread clamp shall be made of material as following:

- (1) Body – Aluminum alloy (with chemical composition (%) of aluminium not less than 90%)
- (2) Keeper – Aluminum alloy (with chemical composition (%) of aluminium not less than 90%)
- (3) Tap line – Aluminum alloy (with chemical composition (%) of aluminium not less than 90%)
- (4) Eyescrew – Bronze
- (5) Bolt(s) for tap line – Stainless steel (grade 304)
- (6) Rivet of keeper (if any); for stopping Eyescrew – Stainless steel (grade 304)
- (7) Spring washer(s) (on Eyescrew & Tap line) – Stainless steel (grade 304)

The chemical compositions of body, keeper, tap line and eyescrew shall also be in accordance with standards as following: SAE, AISI, JIS, ASTM or others approved by PEA.

1c.2 Hotline bail clamp

The hotline bail clamp shall be suitable for using with PEA's installed aluminum conductor and shall have diameter ranges as specified in Table 1.

Hotline bail clamp shall be suitable for using with clampstick according to standard ASTM F1825-03.

Dimension of the hotline bail clamp shall be according to Figure 2.

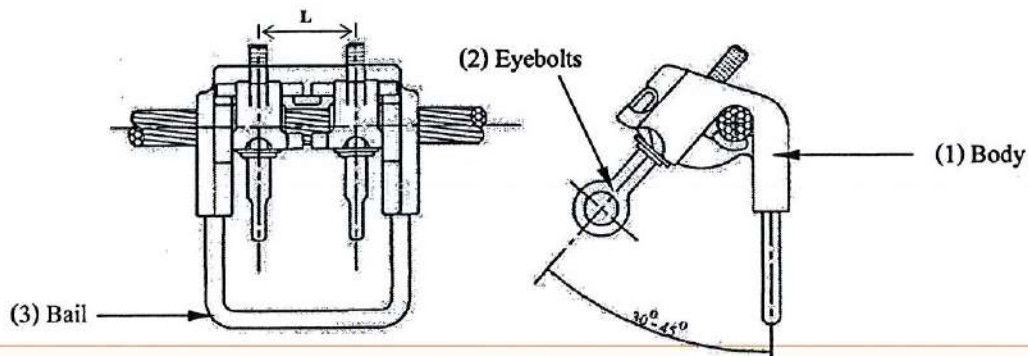


Figure 2

Note:

- The length (L) of Figure 2 shall not be less than 44 mm.
- The hotline bail clamp shall be suitable for used on hotline operation by means of spring load Eyescrews. Angle between Bail and Eyebolts shall be between 30 and 45 degree according to Figure 2.
- The design of hotline bail clamp as shown in Figure 3 is not accepted.



HOTLINE CLAMPS

Specification No.: RHOT-081/2561

Approved date: 1.3 JUN 2018 Rev. No.: 2

Form No. 12-1

Page 4 of 17

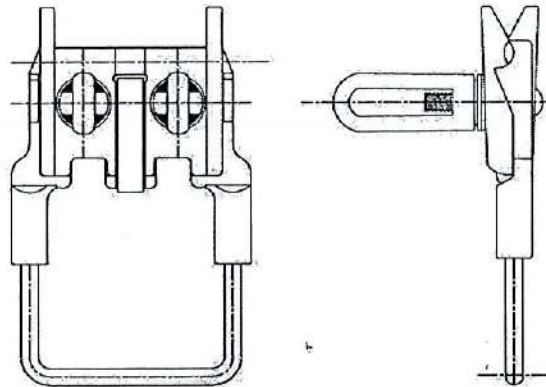


Figure 3

The hotline bail clamp shall be made of material as following:

- (1) Body – Aluminium-alloy (with chemical composition (%) of aluminium not less than 90%)
- (2) Eyebolt(s) – Bronze
- (3) Bail – Tin plated hard drawn copper (with chemical composition (%) of copper not less than 99%)
- (4) Spring washer(s) on Eyescrews – Stainless steel (304 grade)
- (5) Spring load(s) – Stainless steel (304 grade)

The chemical compositions of Body and eyebolt(s) shall also be in accordance with standards as following: SAE, AISI, JIS, ASTM or others approved by PEA.

Table 1
Items of hotline bail clamp

Item	Main line	Ball diameter	Eyebolt size	Minimum Tightening torque
1	diameter range of 6.6 mm to 10.2 mm (sizes 35 mm ² to 70 mm ²)	not less than 8.5 mm	7/16 inch	240 lbf•in (27 N•m)
2	diameter range of 9.3 mm to 19 mm (sizes 70 mm ² to 185 mm ²)	not less than 8.5 mm	7/16 inch or 1/2 inch	240 lbf•in (27 N•m) 300 lbf•in (34 N•m)

1c.3 Marking

Each hotline clamps shall be marked by mean of emboss on the body at least listed below. Except purchase order number may be marked by means of engraving, stamping or laser marking.

- (1) Manufacturer's name or Trademark
- (2) Conductor tap and size to be used (the marking shall be of metric system)
- (3) Catalog number of the connector
- (4) Purchase order number





HOTLINE CLAMPS

Specification No.: RHOT-081/2561

Approved date: 1.3 JUN 2018 Rev. No.: 2

Form No. 12-1

Page 5 of 17

1c.4 Sample

The bidders shall submitted at least one (1) sample for each proposal item within five (5) working days counted from bid closing date for consideration; otherwise, the proposal shall be rejected. PEA's Bids committee will initially check the material, conduction aid oxide inhibiting compound filling on the contact surface of the hotline clamps and others by comparing with the color photograph of the Design test report and PEA's specification. PEA's committee shall reject a proposal if there are any parts of hotline clamp differing from the color photograph of Design test report and PEA's specification. The sample shall not be returned. The sample of the successful bidder will be used as a reference sample in acceptance process. The supplied hotline clamp with a difference material or design compared with the reference sample shall be rejected.

1d Packing

Each hotline clamps shall be supplied in individually sealed package.

The packages shall be packed in suitable carton. Each carton shall be marked with lots number and date of manufacturing; date, month and year. The carton shall contain hotline clamps not more than twenty-five (25) pieces.

If there are many cartons for containerized shipment, the cartons shall be arranged into pallets so as to facilitate their movement by forklift trucks.

1e Tests and test report

1e.1 Design tests

The proposed hotline clamps shall be passed the Design tests as follow:

- Current Cycle Test (CCT) (class A) or Current Cycle Submersion Test (CCST) (Class A)
- Torque strength test

Unless otherwise specified in this specification, both Current Cycle Test (CCT) (class A) or Current Cycle Submersion Test (CCST) (Class A) and torque strength test shall be complied with ANSI C119.4: 2016 or later edition with the additional requirement as follow:

(1) Additional requirement for Current Cycle Test (CCT) and Current Cycle Submersion Test (CCST):

Loop of Current Cycle Test (CCT) (class A) or Current Cycle Submersion Test (CCST) (Class A) shall test with Four (4) sets of hotline clamps. (Each set consisted of hotline bail clamp installed with hotline protected thread clamp)

Temperature measurements shall be measured at least for eight (8) points of the connector. four (4) points shall be measured at hotline bail clamps and others shall be measured at hotline protected thread clamp.

The conductor used in the process of current cycle test shall be aluminium stranded conductor.



HOTLINE CLAMPS

Specification No.: RHOT-081/2561

Approved date: 1...3 JUN 2018 Rev. No.: 2

Form No. 12-1

Page 6 of 17

(2) Additional requirement for torque strength test

(2.1) Hotline protected thread clamp

- Torque the fastener to the value specified in 1c.1.
- Hotline protected thread clamp shall be tested with bail of hotline bail clamp for run and 50 mm² and 185 mm² aluminium stranded conductor for tap.

(2.2) Hotline bail clamp

- Torque the fastener to the value specified in Table 1.
- Hotline bail clamp (sizes 35 mm² to 70 mm²) shall be tested with 35 and 70 mm² conductor for run
- Hotline bail clamp (sizes 70 mm² to 185 mm²) shall be tested with 70 and 185 mm² conductor for run

The cable used in the process of torque strength test shall be aluminium stranded conductor.

The Design test report shall include the necessary data as specified in ANSI C119.4-2016, or later edition, recommendation - Test Report and PEA's additional requirement as follow:

- Description documents of hotline clamps according to manufacturer's data
 - Catalog of hotline clamps consisting of at least brand name and type/model of the product
 - Detailed outline drawing of hotline clamps with the data as specified in 2d (see page 13)
 - Test reports of grade and chemical composition of each part of the hotline clamps as specified in Table 2, which shall be in accordance with standards as following: SAE, AISI, JIS, ASTM or others approved by PEA. The certificates of grade of material from material supplier are accepted in this specification. Except body, keeper and tap line, the test reports of grade and chemical composition are required.

Table 2

Each part of Hotline clamp

Hotline protected thread clamp	Hotline bail clamp
Body and keeper	Body
Tap line	Eyebolt(s)
Eyescrew	Bail
Bolt(s) for tap line	Spring washer(s)
Spring washer(s)	Spring load(s)
Rivet of keeper (if any)	

- Brand name, Type or model, Manufacturer and properties of conduction aid oxide inhibiting compound filled in the contact surface of hotline clamps.



HOTLINE CLAMPS

Specification No.: RHOT-081/2561

Approved date: 1...3...JUN 2018 Rev. No.: 2

Form No. 12-1

Page 7 of 17

- Certificate of conduction aid oxide inhibiting compound, for proving the properties that it is suitable for using with a bolted connector and have the properties as required in this specification (see 1c). The certificate is required only when the bidder mix the material of conduction aid oxide inhibiting compound by himself.
- The color photograph of each part of hotline clamps as specified in Table 2 and others as following:
 - Manufacturer's name or Trademark
 - Conductor tap and size to be used
 - Catalog number of the connector
 - Conduction aid oxide inhibiting compound filled in the contact surface of hotline clamps
- Net weight of each hotline clamps

The additional conditions for the Design test report tested by laboratories in Thailand

The Design test report shall be completed only when there is signature of PEA's representative, from Electrical Equipment Standard and Quality Control Division and/or Technical Specification Division, on all pages of the Design test report.

In the Current Cycle Test (CCT) (class A) or Current Cycle Submersion Test (CCST) (Class A) process, PEA reserves the right to send PEA's representative by PEA's expense to witness the process of collecting the data of current cycle resistance stability and current cycle temperature stability at least (3) three data point number at the measurement intervals as specified in Table 3.

Table 3

Data point number for measurement intervals

Data point number	Cycles of CCT	Cycles of CCST
1	(25 – 30 cycles)	(5 – 7 cycles)
6	(160 – 170 cycles)	(57 – 61 cycles)
11	(495 – 505 cycles)	(98 – 102 cycles)

At data point number 1, PEA's representative reserve the right to sign the signature on test objects with permanent marker pen as an indicator.





การไฟฟ้าส่วนภูมิภาค
PROVINCIAL ELECTRICITY AUTHORITY

PROVINCIAL ELECTRICITY AUTHORITY

TECHNICAL SPECIFICATION DIVISION

HOTLINE CLAMPS

Specification No.: RHOT-081/2561

Approved date: 1..3 JUN 2018 Rev. No.: 2

Form No. 12-1

Page 8 of 17

The Design tests of hotline clamps shall be conducted or inspected by the acknowledged independent testing laboratories/institutes as follows:

- (1) Independent laboratories/institutes which are members of the Short-circuit Testing Liaison (STL) or independent laboratories/institutes which are accredited according to TIS 17025 or ISO/IEC 17025 with the scope of accreditation covered the relevant test items, standards and equipment. The certification and scope of accreditation of the independent laboratories/institutes shall be submitted with the bid for consideration.
- (2) Laboratories, institutes, universities and electric utilities, as follows:
 - National Metal and Materials Technology Center (MTEC)
 - Electrical and Electronic Products Testing Center (PTEC)
 - Thai Industrial Standards Institute (TISI)
 - Electrical and Electronics Institute (EEI)
 - Department of Science Service (DSS)
 - Testing Laboratory, Electrical Engineering Department, Faculty of Engineering, Chulalongkorn University
 - Electricity Generating Authority of Thailand (EGAT)
 - Metropolitan Electricity Authority (MEA)
 - Provincial Electricity Authority (PEA)
 - Other laboratories, institutes, universities or electric utilities approved by PEA

The Design test report done by the laboratories in Thailand or local manufacturers shall be valid with five (5) years counted from the issued date in the test report to the bid closing date.

The Design test report of the proposed hotline clamps shall be submitted with the bid. The report will be sent to Engineering Department for approving.

PEA will also accept other documents instead of the Design test reports in the following conditions:

- (1) In case the proposed hotline clamps has been supplied to PEA and get the order from PEA's Procurement Department (from PEA's head office), the Purchase Order (PO) can be submitted, or
- (2) In case the proposed hotline clamps has been registered for PEA Product Acceptance, the not-expired registration certificate counted to the bid closing date can be submitted, or
- (3) In case the proposed hotline clamps has been registered for Product lists for substation turnkey project, the not-expired registration certificate counted to the bid closing date can be submitted instead

However the document in case (1) and (2) shall be proved that the hotline clamps specified in the PO or registration certificate shall be the same product, type/model and all ratings as the proposed hotline clamps for this bid and shall be used the same PEA's specification number. In case (3), the hotline clamps specified in the registration certificate shall be the same product, type/model and all ratings as the proposed hotline clamps for this bid.



การไฟฟ้าส่วนภูมิภาค
PROVINCIAL ELECTRICITY AUTHORITY

PROVINCIAL ELECTRICITY AUTHORITY

TECHNICAL SPECIFICATION DIVISION

HOTLINE CLAMPS

Specification No.: RHOT-081/2561

Approved date: 13 JUN 2018

Rev. No.: 2

Form No. 12-1

Page 9 of 17

1e.2 Acceptance tests

1e.2.1 Acceptance test procedures

PEA reserves the right to have an acceptance test made by PEA's laboratory or by supplier's factory or by acknowledge independent testing laboratories as mentioned in 1e.1.

The cost of all tests and report shall be borne by the Contractor.

(1) Number of sample

PEA shall randomly choose the sample of hotline clamps per lot with the number specified in Table 4.

Table 4
Number of sample

Number of item per lot	Number of sample for acceptance test	Test items (see Table 5 and Table 6)
not more than 50	2	Step 1 and Step 2
51 to 100	4	
more than 100	10	Step 1 and Step 2 and Step 3

Note: - The sample shall not be returned and shall not be used in the system.

- After the tests, the additional hotline clamps, with the equal number of the samples specified in Table 4, shall be supplied by the Contractor with free of charge to complete the number of hotline clamp in the purchase contract.

PEA will test the hotline clamps step by step as the sequence of testing specified in Table 5 and Table 6, In case hotline clamps fails the test at least 1 (one) sample in any step of the test sequence, PEA shall not continue the test in the next step and reject all items in the lot.

The number of sample for acceptance test which are not more than (4) four items shall be tested by the sequence of testing at least for step 1 and step 2 according to Table 5 and Table 6.

The number of sample for acceptance test having (10) ten units shall be tested by all sequence of testing for step 1, step 2 and step 3 according to Table 5 and Table 6; (6) six units for torque strength test, (4) units for temperature rise test.



HOTLINE CLAMPS

Specification No.: RHOT-081/2561

Approved date: 1...3...JUN 2018 Rev. No.: 2

Form No. 12-1

Page 10 of 17

(2) Hotline protected thread clamp

The acceptance test process of hotline protected thread clamp shall be according to **Table 5**.

Table 5

Acceptance test for hotline protected thread clamp

Sequence of testing	Test Item	Test method	Condition
Step 1	Visual check	PEA's procedure	The materials of hotline clamps shall not differ from PEA's specification and the Design test report.
Step 2	Torque strength test ⁽¹⁾	Torque the fastener to the value specified in 1c.1	All connectors do not show any sign of crack.
Step 3	Temperature rise test ⁽²⁾	NEMA CC1-2009 clause 2.6 and 3.1	Temperature rise of all connectors shall not exceed the temperature rise of tested conductor and current values to be used in the temperature rise tests shall be accordance with Table B-3 for outdoor connector type.

Remark

- (1) Test sample units shall be tested with hotline bail clamp for run and 185 mm² compact stranded aluminium conductor for tap.
- (2) The cable used in the temperature rise test shall be new compact stranded aluminium conductor.

(3) Hotline bail clamp

The acceptance test process of hotline bail clamp shall be according to **Table 6**.

Table 6

Acceptance test for hotline bail clamp

Sequence of testing	Test Item	Test method	Condition
Step 1	Visual check	PEA's procedure	The materials of hotline clamps shall not differ from PEA's specification and the Design test report.
Step 2	Torque strength test ⁽³⁾	Torque the fastener to the value specified in Table 1	All connectors do not show any sign of crack.
Step 3	Temperature rise test ⁽⁴⁾	NEMA CC1-2009 clause 2.6 and 3.1	Temperature rise of all connectors shall not exceed the temperature rise of tested conductor and current values to be used in the temperature rise tests shall be accordance with Table B-3 for outdoor connector type.

TSP
PEA



HOTLINE CLAMPS

Specification No.: RHOT-081/2561

Approved date: 1.3 JUN 2018 Rev. No.: 2

Form No. 12-1

Page 11 of 17

Remark

(3) Test samples units shall be tested with conductor size as follow:

- For hotline bail clamp (sizes 35 mm² to 70 mm²); Test samples shall be tested with 70 mm² (if any) or 50 mm² compact stranded aluminium conductor for run
- For hotline bail clamp (sizes 70 mm² to 185 mm²); Test samples shall be tested with 185 mm² compact stranded aluminium conductor for run

(4) The cable used in the temperature rise test shall be as follow:

- For hotline bail clamp (sizes 35 mm² to 70 mm²); Size of cable in the test loop shall be 70 mm² (if any) or 50 mm² compact stranded aluminium conductor.
- For hotline bail clamp (sizes 70 mm² to 185 mm²); Size of cable in the test loop shall be 185 mm² compact stranded aluminium conductor.

The cable used in the temperature rise test shall be new compact stranded aluminium conductor.

1e.2.2 Special acceptance test

PEA reserve the right to inspect the chemical compositions of each part of hotline clamps at any time he deems necessary by PEA's expense for proving the materials of hotline clamps that they are the same as shown in the Design test report.

If the materials of hotline clamps differ from the data showed in the Design test report, PEA shall reject all items in the lot.

If Manufacturing process inspection

PEA reserves the right to send the representatives by PEA's expense to inspect material, equipment, manufacturing process of the products during manufacturing with free access any time he deems necessary as follow:

- casting process
- assembly line process

The Contractor shall provide free access to the facilities where the hotline clamps are being manufactured, explain representatives about the quality assurance plan and quality control (QA & QC) of the factory and satisfy the representatives that materials used to make hotline clamps are in accordance with PEA's specification and show the suppliers list from whom you purchase materials to PEA's representatives; otherwise, the contract shall be rejected.

The documents as following shall be submitted with the bid

- Quality assurance plan in production line (QA)
- Quality control at the end of assembly line (QC)
- Material inspection process
- Production flow chart

The Contractor shall inform PEA in advance about date of manufacturing in order that PEA can make an appointment with the Contractor for inspecting the process as above-mention.





การไฟฟ้าส่วนภูมิภาค
PROVINCIAL ELECTRICITY AUTHORITY

PROVINCIAL ELECTRICITY AUTHORITY

TECHNICAL SPECIFICATION DIVISION

HOTLINE CLAMPS

Specification No.: RHOT-081/2561

Approved date: 13 JUN 2018

Rev. No.: 2

Form No. 12-1

Page 12 of 17

1g Guarantee

The Contractor who offer the hotline clamps shall guarantee the quality for two (2) years commencing from the date PEA receive the above-mentioned hotline clamps in the last lot in the condition as specified in note below.

Note:

ภายในกำหนดระยะเวลารับประกันคุณภาพ หากการไฟฟ้าส่วนภูมิกานำ Hotline clamps ไปใช้งานตามปกติแล้วปรากฏว่า ชำรุด ชัดข้อง หรือบกพร่อง คู่สัญญาจะต้องนำ Hotline clamps ตัวใหม่มาเปลี่ยนทดแทนของที่ชำรุด ภายใน 60 วัน นับถัดจากวันที่ได้รับแจ้งจากการไฟฟ้าส่วนภูมิภาค และหากการชำรุด ชัดข้อง หรือบกพร่องดังกล่าว มีสาเหตุมาจากคุณสมบัติที่ไม่เป็นไปตามสเปคของการไฟฟ้าส่วนภูมิภาค คู่สัญญาจะต้องเปลี่ยนสิ่งของที่ส่งมอบตามสัญญาทั้งหมดให้แก่การไฟฟ้าส่วนภูมิภาค โดยไม่คิดค่าใช้จ่ายใดๆ ทั้งสิ้น และในกรณีการชำรุด ชัดข้อง หรือบกพร่องดังกล่าว เกิดขึ้นกับ Hotline clamps ที่ได้ถูกติดตั้งใช้งานแล้ว คู่สัญญาจะต้องยินยอมชดเชยค่าใช้จ่ายให้แก่การไฟฟ้าส่วนภูมิภาค ในการดำเนินการรื้อถอนและติดตั้ง Hotline clamps ใหม่ โดยมีค่าใช้จ่ายชุดละ 2,000 บาท พร้อมทั้งยินยอมรับผิดชอบค่าเสียหายอื่นที่อาจเกิดขึ้นอันสืบเนื่องมาจาก การชำรุด ชัดข้อง หรือบกพร่อง และคู่สัญญาจะต้องรับประกันคุณภาพ Hotline clamps ตัวใหม่ที่นำมาเปลี่ยนทดแทนของที่ชำรุดเป็นระยะเวลา 2 ปี นับจากวันที่การไฟฟ้าส่วนภูมิภาคได้ทำการตรวจรับ Hotline clamps ที่คู่สัญญานำมาเปลี่ยนให้ใหม่เสร็จเรียบร้อยแล้ว และในกรณีที่คู่สัญญาต้องเปลี่ยนทดแทน Hotline clamps ที่ส่งมอบตามสัญญาทั้งหมดให้แก่การไฟฟ้าส่วนภูมิภาค Hotline clamps เหล่านี้ต้องผ่านกระบวนการทดสอบเพื่อการตรวจรับตามหัวข้อ 1e.2 ด้วย

Hotline clamps ตัวใหม่ที่คู่สัญญานำมาทดแทนจะต้องทำเครื่องหมาย (Marking) ตามที่ระบุไว้ในสเปคฯ หัวข้อ 1c.3 และจะต้องทำเครื่องหมายตัวอักษร "R" (หมายถึงสิ่งของเพื่อทดแทนของที่ชำรุด) เพิ่มเติมต่อท้ายเลข PO (Purchase order number) ด้วย โดยวิธีการตามที่ระบุไว้ในหัวข้อ 1c.3



HOTLINE CLAMPS

Specification No.: RHOT-081/2561

Approved date: 1...3...JUN 2018 Rev. No.: 2

Form No. 12-1

Page 13 of 17

C2 Material and packing data shall be submitted with the bid:

2a Design test report

Photographs in the Design test report shall be in color.

2b Performance data and guarantee of hotline clamps (see page 14 of 17 to 15 of 17)

2c Catalog of the proposed hotline clamps

2d Detailed outline drawing of hotline clamps with dimension

- The bidder shall submitted company's outline drawing.
- Outline drawing of PEA's specification is not accepted

Detailed outline drawing of hotline clamps shall consist of the data as follow:

- For hotline protected thread clamp
 - Dimension of clamp base (X & Y) in metric system as shown in **Figure 1**
 - Dimension of body (B & C) in metric system as shown in **Figure 1**
 - Dimension of tap line in metric system
 - Angle between body and tap line
 - Size of eyescrew to be used (inch)
 - Size of bolt(s) for tap line to be used (inch)
 - Maximum torque (lbf·in)
- For hotline bail clamp
 - Length (L) in metric system as shown in **Figure 2**
 - Angle between bail and eyebolt
 - Size of eyebolt(s) to be used (inch)
 - Maximum torque (lbf·in)

2e Detailed conduction aid oxide inhibiting compound (or Certificate of conduction aid oxide inhibiting compound in case the bidder mixes the materials by himself)

- Brand name
- Type or model
- Manufacturer
- Property

2f The quality assurance plan and quality control (QA & QC) and others as following

- Quality assurance plan in production line (QA)
- Quality control at the end of assembly line (QC)
- Material inspection process
- Production flow chart



2g Certificate of the company from which the Contractor casts hotline clamps (see page 17 of 17)

2h Packing detail



การไฟฟ้านครหลวง
PROVINCIAL ELECTRICITY AUTHORITY

PROVINCIAL ELECTRICITY AUTHORITY

TECHNICAL SPECIFICATION DIVISION

HOTLINE CLAMPS

Specification No.: RHOT-081/2561

Approved date: **13 JUN 2018**

Rev. No.: 2

Form No. 12-1

Page 14 of 17

Invitation to Bid No:

Performance data and guarantee of hotline protected thread clamp

Item

Country of origin		
Type or model		
Manufacturers or Distributor		
Applied standard		
Date of manufacturing		
PO (Purchase order number)		
Brand name		
Manufacturer name	-	
Catalog number (to be attached)	-	
Outline drawing number (to be attached)	-	
Diameter range of conductor		
- Main	mm ²	
- Tap	mm ²	
Material to be used (for hotline protected thread clamp)		
- Body	-	
- Keeper	-	
- Tap line	-	
- Eyescrew	-	
- Bolt(s) for tap line	-	
- Spring washer(s)	-	
- Rivet of keeper (if any)	-	
Bolt size of fastener		
- Eyescrew	inch	
- Bolt(s) for tap line	inch	
Length of rivet	mm	
Confirm to be filled with conduction aid oxide inhibiting compound	Yes/No	
Confirm to be packed in individually sealed package	Yes/No	
Type of coil lock washer (double coil lock washer or single coil lock washer)	-	
Marking (to be specified)	-	
Net weight per each	g	
Gross weight per carton	kg	
Guarantee period	year(s)	





การไฟฟ้าส่วนภูมิภาค
PROVINCIAL ELECTRICITY AUTHORITY

PROVINCIAL ELECTRICITY AUTHORITY

TECHNICAL SPECIFICATION DIVISION

HOTLINE CLAMPS

Specification No.: RHOT-081/2561

Approved date: 1.3 JUN 2018

Rev. No.: 2

Form No. 12-1

Page 15 of 17

Invitation to Bid No:

Performance data and guarantee of hotline bail clamp

Item

Country of origin		
Type or model		
Catalog number		
Manufacturers or Distributor		
Applied standard		
Date of manufacturing		
PO (Purchase order number)		
Brand name		
Diameter range of conductor		
- Main	mm ²	
- Tap	mm ²	
Material to be used (for hotline bail clamp)		
- Body	-	
- Eyebolts	-	
- Bail	-	
- Spring washer(s)	-	
- Spring load(s)	-	
Bolt size of fastener		
- Eyebolt(s)	inch	
Bail size	mm	
Confirm to be filled with conduction aid oxide inhibiting compound (Yes or No)	Yes/No	
Confirm to be packed in individually sealed package (Yes or No)	Yes/No	
Type of coil lock washer (double coil lock washer or single coil lock washer)	-	
Marking (to be specified)	-	
Net weight per each	g	
Gross weight per carton	kg	
Guarantee period	year(s)	





การไฟฟ้าส่วนภูมิภาค
PROVINCIAL ELECTRICITY AUTHORITY

PROVINCIAL ELECTRICITY AUTHORITY

TECHNICAL SPECIFICATION DIVISION

HOTLINE CLAMPS

Specification No.: RHOT-081/2561

Approved date: 1.3 JUN 2018 Rev. No.: 2

Form No. 12-1

Page 16 of 17

Required document of technical evaluation

Critical documents shall be submitted with the bid

(Please fill/check the boxes in each item)

No.	Required technical document	Proposed technical document	Reference document (Page No.)
1	- Design test report (see 1e.1) or - Purchase Order (PO) (see 1e.1) or - Product acceptance certificate (see 1e.1) - Product lists certificate (see 1e.1)	<input type="checkbox"/> YES <input type="checkbox"/> No	
2	Performance data and guarantee of hotline clamps (see 2b)	<input type="checkbox"/> YES <input type="checkbox"/> No	
3	Catalog of hotline clamps (see 2c)	<input type="checkbox"/> YES <input type="checkbox"/> No	
4	Detailed outline drawing of hotline clamps with dimension (see 2d)	<input type="checkbox"/> YES <input type="checkbox"/> No	
5	Detailed conduction aid oxide inhibiting compound (or Certificate of conduction aid oxide inhibiting compound) (see 2e)	<input type="checkbox"/> YES <input type="checkbox"/> No	
6	- Quality assurance plan in production line (QA) - Quality control at the end of assembly line (QC) - Material inspection process - Production flow chart (see 2f)	<input type="checkbox"/> YES <input type="checkbox"/> No	
7	Certificate of the company from which the Contractor casts hotline clamps (see 2g)	<input type="checkbox"/> YES <input type="checkbox"/> No	
8	Packing detail (see 2h)	<input type="checkbox"/> YES <input type="checkbox"/> No	

Note:

Critical documents shall be submitted with the bid; otherwise, the proposal shall be rejected.



การไฟฟ้าส่วนภูมิภาค
PROVINCIAL ELECTRICITY AUTHORITY

PROVINCIAL ELECTRICITY AUTHORITY

TECHNICAL SPECIFICATION DIVISION

HOTLINE CLAMPS

Specification No.: RHOT-081/2561

Approved date: 1.3 JUN 2018

Rev. No.: 2

Form No. 12-1

Page 17 of 17

ภาคผนวก

แบบฟอร์มรับรองการหล่อชิ้นงานของโรงงานที่ทำการหล่อชิ้นงาน
(ต้องส่งแบบฟอร์มรับรองการหล่อชิ้นงานในวันขึ้นของประกวดราคา)

วันที่.....เดือน.....พ.ศ.....

ข้าพเจ้า (บริษัท, โรงงาน).....
 สำนักงานตั้งอยู่เลขที่..... หมู่..... ซอย..... ถนน..... ตำบล/แขวง.....
 อำเภอ/เขต..... จังหวัด..... หมายเลขโทรศัพท์.....
 ขอรับรองว่าเป็นผู้หล่อตัวอย่างชิ้นงานให้แก่ (บริษัท, ห้าง, ร้าน).....
 เพื่อนำมาเสนอในการประกวดราคา เลขที่..... ของการไฟฟ้าส่วนภูมิภาคต่อไป

ลงชื่อ.....

(.....)

ประทับตราบริษัท, โรงงาน





การไฟฟ้าส่วนภูมิภาค
PROVINCIAL ELECTRICITY AUTHORITY

PROVINCIAL ELECTRICITY AUTHORITY

TECHNICAL SPECIFICATION DIVISION

Specification No.: RHOT-081/2561 : HOTLINE CLAMPS

Page 1 of 1

C3 Schedule of detailed requirement

Invitation to Bid No.: PEA(S2)กบญ.003/2566

Item	PEA Material No.	Quantity	Description
20	1020330104	6,338 ชิ้น	Hotline protected thread clamp, with: Main line : diameter range of 6.6 mm to 19 mm (sizes 35 mm ² to 185 mm ²) Tap line : diameter range of 7.7 mm to 19 mm (sizes 50 mm ² to 185 mm ²)
18	1020330005	2,632 ชิ้น	Hotline bail clamp, with: Main line : diameter range of 6.6 mm to 10.2 mm (sizes 35 mm ² to 70 mm ²) Bail diameter : not less than 8.5 mm
19	1020330006	3,613 ชิ้น	Hotline bail clamp, with: Main line : diameter range of 9.3 mm to 19 mm (sizes 70 mm ² to 185 mm ²) Bail diameter : not less than 8.5 mm

TSP
PEA

Invitation to Bid No. : PEA(S2) กบญ.003/2566

Specification No. : RHOT-081/2561

C3 Schedule of detailed requirement

Item	PEA Material No.	Quantity	Description
			<ol style="list-style-type: none">1. การไฟฟ้าส่วนภูมิภาคจะจัดซื้อพัสดุที่ผลิตภายในประเทศไทย2. กำหนดส่งมอบ 1 งวด (แต่ละรายการ) ภายใน 75 วัน นับถัดจากวันลงนามในสัญญาซื้อ และภายในงวดสามารถทยอยการจัดส่งได้3. กำหนดสถานที่ส่งมอบพัสดุ ตามคลังพัสดุสังกัดการไฟฟ้าส่วนภูมิภาค เขต 2 (ภาคใต้) จังหวัดนครศรีธรรมราช (รายละเอียดแนบ จำนวน 1 แผ่น)4. ระบุข้อมูลตามแบบฟอร์มยื่นยื่นฐานแหล่งผลิต5. เกณฑ์การพิจารณาใช้เกณฑ์ราคา โดยพิจารณาราคาต่อรายการ

การจัดซื้อวิธี e-bidding เลขที่ PEA(S2) กบญ.003/2566

รายละเอียดการส่งมอบพัสดุของ ปี 2566 ประเภทอุปกรณ์ประกอบสายไฟ จำนวน 25 รายการ
ตามงบโครงการต่างๆ ปี 2566 และตามโครงการพัฒนาระบบส่งและจำหน่าย ระยะที่ 2 แผนที่ 1 แยกตามคลังพัสดุต่างๆ

ที่	รหัสพัสดุ	รายการพัสดุ	หน่วยนับ	คลังพัสดุ									จำนวนจัดซื้อ
				กฟจ. นครศรีธรรมราช	กฟจ. สุราษฎร์ธานี	กฟจ.ตรัง	กฟจ.กระบี่	กฟจ.พังงา	กฟจ.ภูเก็ต	กฟอ.ทุ่งสง	กฟอ.เกาะสมุย	กฟอ.พุนพิน	
1	1020180001	เทปไฟฟ้าพีวีซี ใช้ภายนอกมีขนาด 0.18x19x10,000 มม.มอก.386	ม้วน	23,282	10,000	10,000	5,000	3,000	10,000	5,000	3,000	10,000	79,282
2	1020180008	EPR, HIGH-VOLTAGE INSULATING TAPE	ม้วน	987	900	900	900	800	800	500	500	500	6,787
3	1020200000	ลวดอลูมิเนียมแบน 1x10 มม.	กก.	1,939	1,500	1,000	1,000	-	-	1,000	-	1,000	7,439
4	1020200002	ลวดอลูมิเนียมกลม 4.0 มม.	กก.	1,598	800	-	500	500	500	500	-	800	5,198
5	1020200003	COVERED TIE WIRE.AL.4.0 MM.	เมตร	50,315	10,000	10,000	10,000	10,000	15,000	-	-	20,000	125,315
6	1020260206	PREFORMED D/E,SAC 33KV 50SQ.MM. 26.46MM	ชิ้น	3,074	1,000	500	-	500	500	500	-	500	6,574
7	1020260209	PREFORMED D/E,SAC 33KV 185SQ.MM. 34.44MM	ชิ้น	500	600	-	900	500	-	-	-	500	3,000
8	1020260300	PREFORMED D/E, AW 25 SQ.MM.	ชิ้น	241	200	200	200	200	200	200	150	150	1,741
9	1020260301	PREFORMED D/E, AW 50 SQ.MM.	ชิ้น	2,579	2,000	2,000	2,000	1,500	2,000	1,000	1,000	2,000	16,079
10	1020260302	PREFORMED D/E, AW 95 SQ.MM.	ชิ้น	198	150	150	100	100	150	100	100	100	1,148
11	1020300101	พีจี. คอนเนคเตอร์สลักคู่ สำหรับสายอลูมิเนียม-อลูมิเนียมอัลลอย และ อลูมิเนียมแกนเหล็ก 16-70 ต.มม.	อัน	500	-	-	-	-	-	161	-	-	661
12	1020300102	พีจี. คอนเนคเตอร์สลักคู่ สำหรับสายอลูมิเนียม อลูมิเนียมอัลลอย และ อลูมิเนียมแกนเหล็ก 25-95 ต.มม.	อัน	19,061	7,000	3,000	5,000	3,000	7,000	5,000	5,000	2,000	56,061
13	1020300103	พีจี. คอนเนคเตอร์ 3 สลัก สำหรับสายอลูมิเนียม อลูมิเนียมอัลลอย และ อลูมิเนียมแกนเหล็ก 70-185 ต.มม.	อัน	5,464	-	-	-	-	-	-	-	-	5,464
14	1020320010	H-CONNCTOR,MAIN AL 25-50,TAP AL/CU 2.5-6	ชิ้น	1,798	1,500	1,500	1,500	1,000	1,500	1,000	1,000	1,000	11,798
15	1020320011	H-CONNCTOR,MAIN AL 25-50,TAP AL/CU 16-35	ชิ้น	10,590	7,000	7,000	7,000	4,000	5,000	4,000	3,000	5,000	52,590
16	1020320012	H-CONNCTOR,MAIN AL 50-95,TAP AL/CU 50-95	ชิ้น	7,000	5,000	5,000	3,000	3,000	3,000	3,000	3,000	3,000	35,000
17	1020320014	H-CONNCTOR,MAIN AL 35-50,TAP CU 6-10	ชิ้น	15,300	10,000	10,000	10,000	10,000	10,000	10,000	10,000	10,000	95,300
18	1020330005	HOTLINE BAIL-CLAMP,MAIN 35-70 SQ.MM.	ชิ้น	2,632	-	-	-	-	-	-	-	-	2,632
19	1020330006	HOTLINE BAIL-CLAMP,MAIN 70-185 SQ.MM.	ชิ้น	613	-	-	500	-	1,000	500	-	1,000	3,613
20	1020330104	HOTLINE CLAMP,MAIN35-185,TAP50-185SQ.MM.	ชิ้น	1,500	500	500	500	500	1,000	1,000	-	838	6,338
21	1020400012	SLEEVE,TENSION AL 50 SQ.MM.	ชิ้น	1,940	2,000	2,000	2,000	1,000	1,500	1,000	1,000	1,000	13,440
22	1020420102	หางปลา เจาะรูตามมาตรฐานเนมา สำหรับสายอลูมิเนียม 50 ต.มม.	อัน	3,729	1,500	1,000	1,000	1,000	1,000	1,000	-	1,000	11,229
23	1020420104	หางปลา เจาะรูตามมาตรฐานเนมา สำหรับสายอลูมิเนียม 95 ต.มม.	อัน	2,513	1,000	1,000	1,200	900	900	-	-	-	7,513
24	1020420400	สลักต่อปลายสายเข้าอุปกรณ์ไฟฟ้าสำหรับสายอลูมิเนียม ขนาด 50 ต.มม.	อัน	2,792	2,000	-	-	1,500	1,000	1,500	-	1,000	9,792
25	1020440121	BRACKET FOR SAC, CORNER SUPPORT, 33 KV	ชิ้น	1,022	800	500	800	500	800	500	500	500	5,922



การไฟฟ้าส่วนภูมิภาค
PROVINCIAL ELECTRICITY AUTHORITY

แบบฟอร์มยืนยันฐานแหล่งผลิต

1. รายละเอียดทั่วไป

อุปกรณ์ รุ่น

ผลิตภัณฑ์

ประเทศ

2. ฐานแหล่งผลิต(ให้ทำเครื่องหมาย ✓ หน้าฐานแหล่งผลิตของอุปกรณ์)

เป็นผลิตภัณฑ์ที่ผลิตในต่างประเทศ

เป็นผลิตภัณฑ์ที่ผลิตในประเทศไทย

กรณีที่เป็นผลิตภัณฑ์ที่ผลิตในประเทศไทย ผู้ยื่นข้อเสนอต้องแนบเอกสารเพื่อยืนยัน เช่น

- ใบอนุญาตแสดงเครื่องหมายมาตรฐานกับผลิตภัณฑ์อุตสาหกรรม (มอก.) หรือ ผลิตภัณฑ์ที่ได้รับการจดทะเบียนกับกระทรวงอุตสาหกรรม ...หรือ
- ใบรับรองระบบคุณภาพของกระบวนการผลิต ตามมาตรฐาน ISO 9001 ...หรือ
- ใบอนุญาตประกอบกิจการโรงงาน ร.ง. 4

หมายเหตุ: ผู้ยื่นข้อเสนอต้องดำเนินการแนบไฟล์แบบฟอร์มยืนยันฐานแหล่งผลิตมาในระบบจัดซื้อจัดจ้าง

ภาครัฐอิเล็กทรอนิกส์

ลงชื่อ

(.....)

ตำแหน่ง

**PROVINCIAL ELECTRICITY AUTHORITY****TECHNICAL SPECIFICATION DIVISION****TOLERANCE**

Specification No. -

Approved date : 31 ม.ค. 2562

Rev. No. : 01

Form No. :-

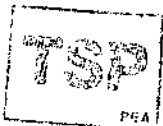
Page 1 of 2

ภาคผนวก (Addendum)

ที่	รายละเอียด	ค่าความคลาดเคลื่อน (มิลลิเมตร)		สัญลักษณ์	รูปที่
1	ระยะความยาวรวม (ขอบเหล็ก ถึง ขอบเหล็ก)	+ 5	- 3	L	(1)
2	ระยะจากจุดศูนย์กลางรู Slot ถึง ขอบเหล็ก	+ 5	- 3	A	(2)
	ระยะจากจุดศูนย์กลางรูกลม ถึง ขอบเหล็ก				
3	ระยะจากจุดศูนย์กลางรู Slot ถึง จุดศูนย์กลางรู Slot	+ 2	- 2	X1	(3)
4	ระยะจากจุดศูนย์กลางรูกลม ถึง จุดศูนย์กลางรูกลม	+ 1	- 1	X2	(4)
	ระยะจากจุดศูนย์กลางรูกลม ถึง จุดศูนย์กลางรู Slot				
5	ขนาดเส้นผ่านศูนย์กลางรูกลม 10 มิลลิเมตร ถึง 24 มิลลิเมตร	+ 1	- 1	DØ	(5)
	ขนาดรู Slot	+ 1	- 1	d1, d2	
6	ระยะเกลียวถึงปลาย Bolt	+ 8	- 0	B	(6)

หมายเหตุ :

1. ภาคผนวกนี้จะไม่นำไปใช้ ในกรณีดังต่อไปนี้
 - 1.1 มีการกำหนดค่าความคลาดเคลื่อนในข้อกำหนดทางเทคนิคแล้ว
 - 1.2 ข้อกำหนดทางเทคนิคได้อ้างอิงถึงมาตรฐานอุตสาหกรรม (มอก.) ต่างๆ ซึ่งมีการกำหนดค่าความคลาดเคลื่อนในมาตรฐานอุตสาหกรรม (มอก.) ดังกล่าวแล้ว
2. รูปแสดงตัวอย่าง และสัญลักษณ์ ให้ดูที่ Page 2 of 2
3. สำหรับการตรวจรับฮาร์ดแวร์ที่ต้องมีการประกอบใช้งานร่วมกับฮาร์ดแวร์อื่นๆ เช่น เหล็กประกบ, คอนเหล็ก เป็นต้น PEA ขอสงวนสิทธิ์ในการทดลองประกอบใช้งานร่วมกับฮาร์ดแวร์ดังกล่าว ในการตรวจรับด้วย





TOLERANCE

Specification No. -

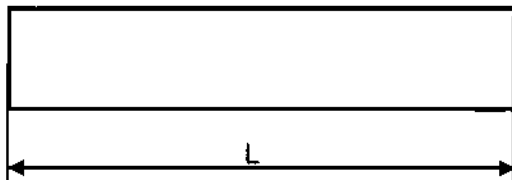
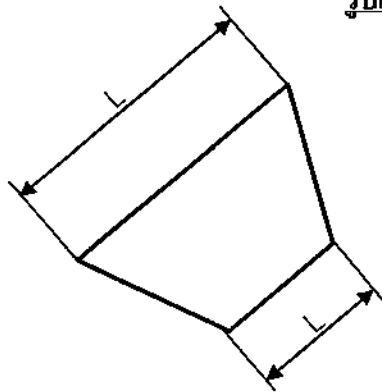
Approved date : 31 มี.ค. 2562

Rev. No. : 01

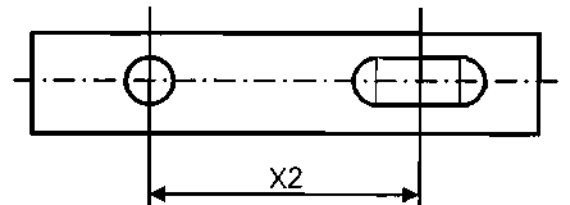
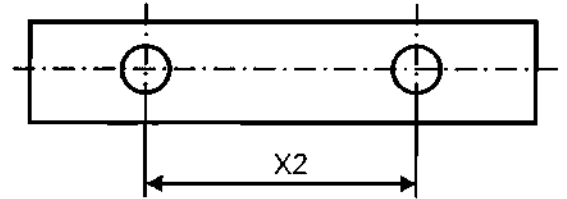
Form No. : -

Page 2 of 2

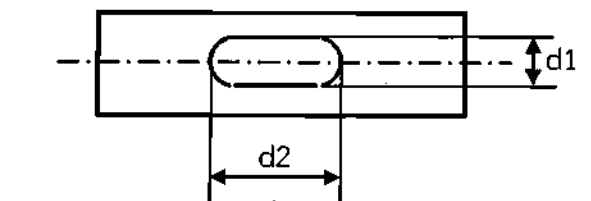
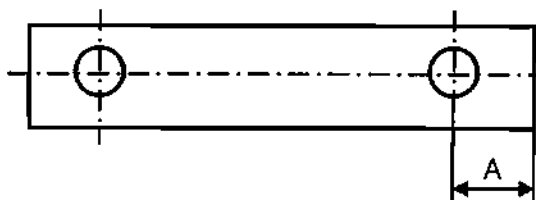
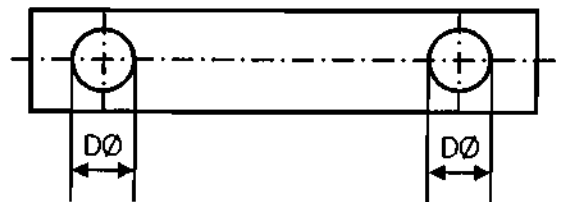
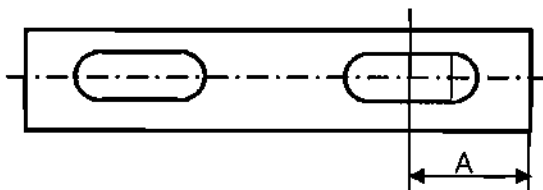
รูปแสดงตัวอย่าง และสัญลักษณ์



รูปที่ (1)

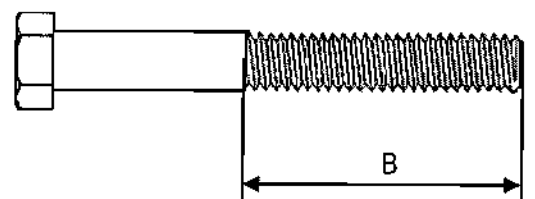
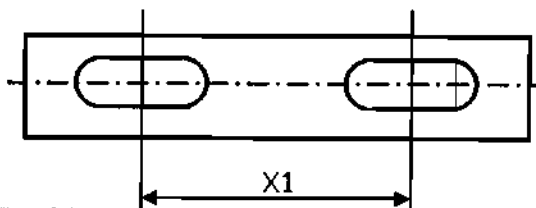


รูปที่ (4)



รูปที่ (2)

รูปที่ (5)



รูปที่ (3)

รูปที่ (6)





PROVINCIAL ELECTRICITY AUTHORITY

TECHNICAL SPECIFICATION DIVISION

คุณสมบัติของสถาบันทดสอบ สำหรับการทดสอบเฉพาะแบบ (Type or Design tests)

Specification No. -

Approved date : 17/07/2561

Rev. No.: -

Form No. -

Page 1 of 2

เอกสารเพิ่มเติมแนบท้ายรายละเอียดสเปค

(ADDENDUM)

เอกสารเพิ่มเติม (ADDENDUM) นี้ ให้ถือเป็นส่วนหนึ่งของรายละเอียดสเปคที่เอกสารฯ นี้ได้แนบอยู่ด้วย

คุณสมบัติของสถาบันทดสอบ สำหรับการทดสอบเฉพาะแบบ (Type or Design tests)

หากรายละเอียดสเปคกำหนดรายชื่อ หรือคุณสมบัติของสถาบันทดสอบสำหรับการทดสอบเฉพาะแบบ ให้ใช้รายละเอียดคุณสมบัติดังต่อไปนี้ แทนการกำหนดรายชื่อ หรือคุณสมบัติของสถาบันทดสอบฯ ที่ได้กำหนดไว้ในรายละเอียดสเปค

All items of the type or design tests shall be conducted or inspected by the acknowledged testing laboratories/institutes as following:

- (1) Laboratories/institutes which are members of the Short-circuit Testing Liaison (STL) or independent laboratories/institutes which are accredited according to TIS 17025 or ISO/IEC 17025 with the scope of accreditation covered the relevant test items, standards and equipment. The certification and scope of accreditation of the independent laboratories/institutes shall be submitted with the bid for consideration.
- (2) Thailand's national laboratories, institutes, universities and electric utilities, as follows:
 - National Metal and Materials Technology Center (MTEC)
 - Electrical and Electronic Products Testing Center (PTEC)
 - Thai Industrial Standards Institute (TISI)
 - Electrical and Electronics Institute (EEI)
 - Department of Science Service (DSS)
 - Testing Laboratory, Electrical Engineering Department, Faculty of Engineering, Chulalongkorn University
 - Electricity Generating Authority of Thailand (EGAT)
 - Metropolitan Electricity Authority (MEA)
 - Provincial Electricity Authority (PEA)
 - Other laboratories, institutes, universities or electric utilities approved by PEA

In case of the foreign manufacturers have experience of more than twenty (20) years in design, manufacture and sell such the proposed equipment for using in equal to or higher than system voltages of the proposed equipment, PEA will accept type or design test reports conducted by the manufacturer's laboratory or other independent laboratories without qualification mentioned in (1) or (2). Documents showing the manufacturer's experience such as reference list shall be submitted with the bid for consideration.



PROVINCIAL ELECTRICITY AUTHORITY

TECHNICAL SPECIFICATION DIVISION

คุณสมบัติของสถาบันทดสอบ สำหรับการทดสอบเฉพาะแบบ (Type or Design tests)

Specification No. -

Approved date : 17/07/2561

Rev. No.: -

Form No. -

Page 2 of 2

The bidders or manufacturers who prefer to carry out the type or design tests of the proposed equipment by the laboratories or by the manufacturer themselves without the qualification mentioned above, the detail of the test facilities of the laboratories or the manufacturer shall be submitted to PEA for approval before proceeding the tests and before the bid closing date. PEA reserves the right to send representatives to inspect and witness the tests with the cost of the bidders or manufacturers.

The type or design test reports done by the laboratories in Thailand or local manufacturers shall be valid within five (5) years counted from the issued date in the test report to the bid closing date.



การกำหนดระยะเวลาในการส่งรายงานผลการทดสอบเฉพาะแบบ (Type test report)

และระยะเวลาในการจัดส่งตัวอย่างเพื่อประกอบการพิจารณาจัดหา

Specification No.:

-

Approved date: 21/12/2560

Rev. No.: -

Form No.: -

Page 1 of 1

เอกสารเพิ่มเติมแนบท้ายรายละเอียดสเปค

(ADDENDUM)

เอกสารเพิ่มเติม (ADDENDUM) นี้ ให้อธิเป็นส่วนหนึ่งของรายละเอียดสเปคที่เอกสารฯ นี้ได้แนบอยู่ด้วย

1. การกำหนดระยะเวลาในการส่งรายงานผลการทดสอบเฉพาะแบบ (Type test report)

หากรายละเอียดสเปคกำหนดให้ผู้เสนอราคาจะต้องจัดส่งรายงานผลการทดสอบเฉพาะแบบ (Type test report) หรือหนังสือรับรองผลการทดสอบเฉพาะแบบ (Type test certificates) “ให้ผู้เสนอราคาจะต้องจัดส่งรายงานผลการทดสอบเฉพาะแบบ หรือหนังสือรับรองผลการทดสอบเฉพาะแบบมาพร้อมกับการยื่นเอกสารทางเทคนิค” แทนการกำหนดระยะเวลาจัดส่งรายงานฯ ที่ได้ระบุไว้ในรายละเอียดสเปค

ทั้งนี้ ยกเว้นบางพัสดุอุปกรณ์ที่ กฟภ. กำหนดยอมรับให้ทำการทดสอบเฉพาะแบบภายหลังจากที่ทำสัญญากับ กฟภ. แล้ว โดยคู่สัญญาจะต้องจัดส่งรายงานผลการทดสอบฯ ดังกล่าว ก่อนการส่งของนั้น ให้คงรายละเอียดไว้ตามเดิม

2. การกำหนดระยะเวลาในการจัดส่งตัวอย่าง (Sample) เพื่อประกอบการพิจารณาจัดหา

หากรายละเอียดสเปคกำหนดให้ผู้เสนอราคาจะต้องจัดส่งตัวอย่างพัสดุอุปกรณ์ (Sample) เพื่อประกอบการพิจารณาจัดหา “ให้ผู้เสนอราคาจะต้องจัดส่งตัวอย่างพัสดุอุปกรณ์ ภายใน 5 วันทำการ นับถัดจากวันเสนอราคา” แทนการกำหนดระยะเวลาจัดส่งตัวอย่างที่ได้ระบุไว้ในรายละเอียดสเปค



การกำหนดการส่งรายงานผลการทดสอบเฉพาะแบบ (Type test report) เพื่อประกอบการพิจารณาจัดหา

Specification No.:

-

Approved date: 17/07/2561

Rev. No.:

-

Form No.:

-

Page 1 of 1

เอกสารเพิ่มเติมแนบท้ายรายละเอียดสเปค

(ADDENDUM)

เอกสารเพิ่มเติม (ADDENDUM) นี้ ให้ถือเป็นส่วนหนึ่งของรายละเอียดสเปคที่เอกสารฯ นี้ได้แนบอยู่ด้วย

การกำหนดการส่งรายงานผลการทดสอบเฉพาะแบบ (Type test report)

ผู้ยื่นข้อเสนอสามารถยื่นเอกสาร หรือหลักฐานอื่นเพื่อประกอบการพิจารณาจัดซื้อ จัดจ้าง หรือจ้างก่อสร้าง แทนการยื่นรายงานผลการทดสอบเฉพาะแบบ (Type test report) หรือหนังสือรับรองผลการทดสอบเฉพาะแบบ (Type test certificate) ได้ ดังนี้:

- (1) กรณีที่เป็นอุปกรณ์ที่การไฟฟ้าส่วนภูมิภาคสำนักงานใหญ่ โดยฝ่ายจัดหา หรือฝ่ายงานสถานีไฟฟ้า หรือฝ่ายงานระบบไฟฟ้า เคยรับไว้ใช้งานจากการจัดซื้อ จัดจ้าง หรืองานจ้างก่อสร้างแล้ว ผู้ยื่นข้อเสนอสามารถยื่นสำเนาหนังสือสั่งซื้อ/จ้าง (Purchase order) หรือสำเนาหนังสือสัญญาจ้างก่อสร้างพร้อมบัญชีแสดงปริมาณวัสดุ (Bill of Quantities: BOQ) ที่ออกโดยการไฟฟ้าส่วนภูมิภาค แทนได้ หรือ
- (2) กรณีที่อุปกรณ์ที่เสนอได้รับการขึ้นทะเบียน และควบคุมคุณภาพผลิตภัณฑ์ (PEA Product Acceptance) แล้ว ผู้ยื่นข้อเสนอสามารถยื่นเอกสารรับรองการขึ้นทะเบียนฯ ที่ยังไม่หมดอายุในวันที่ยื่นเอกสาร แทนได้ หรือ
- (3) กรณีที่อุปกรณ์ที่เสนอราคาได้รับการขึ้นทะเบียนอุปกรณ์หลักในงานจ้างก่อสร้างสถานีไฟฟ้า (Product list) แล้ว ผู้ยื่นข้อเสนอสามารถยื่นเอกสารรับรองการขึ้นทะเบียนฯ ที่ยังไม่หมดอายุในวันที่ยื่นเอกสาร แทนได้

ทั้งนี้ เอกสาร หรือหลักฐานที่ระบุไว้ในข้อ (1) ข้อ (2) และข้อ (3) ดังกล่าวข้างต้น จะสามารถใช้แทนการยื่นรายงานผลการทดสอบเฉพาะแบบ (Type test report) หรือหนังสือรับรองผลการทดสอบเฉพาะแบบ (Type test certificate) ได้ ต้องเป็นเอกสาร หรือหลักฐานที่ตรวจสอบแล้วพบว่าเป็นของอุปกรณ์ที่เป็นผลิตภัณฑ์รุ่น และพิกัดเดียวกันกับอุปกรณ์ที่จัดซื้อ หรือจัดจ้าง หรือจ้างก่อสร้างในครั้งนี้

เงื่อนไขทั่วไปประกอบการจัดซื้อพัสดุ

ผู้ยื่นข้อเสนอ จะต้องปฏิบัติตามเงื่อนไขประกอบการจัดซื้อพัสดุดังนี้

ข้อ ๑ “ผู้ยื่นข้อเสนอจะต้องยื่นเอกสารทางเทคนิค เช่น แค็ตตาล็อก แบบรูป (Drawings) รายงานผลการทดสอบเฉพาะแบบ (Type test reports) หรือเอกสารอื่นๆ ตามที่ได้ระบุไว้ในรายละเอียดสเปค (Specification) ให้ครบถ้วนพร้อมกับการยื่นข้อเสนอ โดยเอกสารทางเทคนิคดังกล่าวจะต้องเป็นภาพสีเหมือนกับเอกสารต้นฉบับ และต้องเป็นภาษาไทยหรือภาษาอังกฤษเท่านั้น สำหรับเอกสารทางเทคนิคที่ผู้ยื่นข้อเสนอจะต้องกรอกรายละเอียดในแบบฟอร์มของ การไฟฟ้าส่วนภูมิภาค ให้ใช้วิธีการพิมพ์เท่านั้น การไฟฟ้าส่วนภูมิภาคขอสงวนสิทธิ์ที่จะไม่รับพิจารณาผู้ยื่นข้อเสนอที่ยื่นเอกสารทางเทคนิคไม่ครบถ้วน หรือไม่ปฏิบัติตามที่ระบุข้างต้น

ข้อ ๒ การไฟฟ้าส่วนภูมิภาค จะพิจารณาเฉพาะเอกสารทางเทคนิค เช่น แค็ตตาล็อก แบบรูป (Drawings) รายงานผลการทดสอบเฉพาะแบบ (Type test reports) หรือเอกสารอื่นๆ ที่ระบุผลิตภัณฑ์เป็นแบบ (Type) หรือเป็นรุ่น (Model) ที่ตรงกับที่ผู้ยื่นข้อเสนอระบุไว้ในรายการที่เสนอราคาเท่านั้น เว้นแต่รายละเอียดสเปค (Specification) ระบุความต้องการเอกสารทางเทคนิคไว้เป็นอย่างอื่น

ข้อ ๓ สำหรับพัสดุดูอุปกรณ์ที่ การไฟฟ้าส่วนภูมิภาค กำหนดให้ใช้เกณฑ์ราคาประกอบเกณฑ์อื่น (Price-performance) ในการพิจารณาจัดซื้อ ผู้ยื่นข้อเสนอที่ยื่นผลิตภัณฑ์ที่มีคุณสมบัติเป็นไปตามเกณฑ์อื่นในแต่ละรายการ และมีความประสงค์ที่จะให้ การไฟฟ้าส่วนภูมิภาค คิดคะแนนในส่วนของเกณฑ์อื่นดังกล่าวเพื่อประกอบการพิจารณาจัดซื้อนั้น ผู้ยื่นข้อเสนอจะต้องยื่นเอกสารแสดงคุณสมบัติในแต่ละเกณฑ์ให้ถูกต้อง และครบถ้วนมาพร้อมกับการยื่นข้อเสนอ หากการไฟฟ้าส่วนภูมิภาคตรวจสอบแล้วพบว่าเอกสารแสดงคุณสมบัติดังกล่าวไม่ถูกต้อง หรือไม่ครบถ้วน การไฟฟ้าส่วนภูมิภาค ขอสงวนสิทธิ์ที่จะพิจารณาไม่ให้คะแนนในแต่ละเกณฑ์นั้นๆ

ทั้งนี้รายการพัสดุดูอุปกรณ์ที่การไฟฟ้าส่วนภูมิภาคกำหนดให้ใช้เกณฑ์ราคาประกอบเกณฑ์อื่นในการพิจารณาจัดซื้อ รวมถึงสัดส่วนการคิดคะแนนระหว่างเกณฑ์ราคา และเกณฑ์อื่นจะถูกกำหนดไว้ในเอกสารที่เกี่ยวข้อง”

ข้อ ๔ กรณีการจัดซื้ออุปกรณ์ไฟฟ้าหลักสำหรับติดตั้งใช้งานในระบบสายส่ง 115 kV และระบบจำหน่าย 22 kV และ 33 kV อันได้แก่ หม้อแปลงไฟฟ้า รีโคลสเซอร์ เซอร์กิตเบรกเกอร์ อุปกรณ์ป้องกัน สวิตช์ อุปกรณ์ตัดตอน ลูกถ้วยไฟฟ้า สายไฟฟ้า หม้อแปลงกระแส (Current transformers) หม้อแปลงแรงดัน (Voltage transformers) รวมถึง มิเตอร์สำหรับวัดพลังงานไฟฟ้า การไฟฟ้าส่วนภูมิภาคขอสงวนสิทธิ์ที่จะส่งเจ้าหน้าที่ของการไฟฟ้าส่วนภูมิภาค หรือผู้แทนที่ได้รับการแต่งตั้งจากการไฟฟ้าส่วนภูมิภาคเข้าไปตรวจสอบกระบวนการผลิตและการควบคุมคุณภาพ ณ โรงงานผู้ผลิตก่อนการส่งมอบ โดยการไฟฟ้าส่วนภูมิภาคจะเป็นผู้ออกค่าใช้จ่ายในการเดินทาง และเบี้ยเลี้ยงของเจ้าหน้าที่ฯ หรือค่าจ้างผู้แทนฯ เท่านั้น

ข้อ ๕ การจัดซื้อหม้อแปลงไฟฟ้าสำหรับระบบจำหน่าย ผู้ที่ได้รับการสั่งซื้อต้องยินยอมให้ การไฟฟ้าส่วนภูมิภาค หรือผู้แทนที่ได้รับการแต่งตั้งจากการไฟฟ้าส่วนภูมิภาคเข้าไปตรวจสอบกระบวนการผลิต การควบคุมคุณภาพ และการทดสอบ ณ โรงงานผู้ผลิตก่อนการส่งมอบ โดยมีรายละเอียดและขั้นตอนที่ผู้ได้รับการสั่งซื้อต้องปฏิบัติตามเอกสารแนบจำนวน ๒ แผ่น โดยการไฟฟ้าส่วนภูมิภาคจะเป็นผู้ออกค่าใช้จ่ายในการเดินทาง และเบี้ยเลี้ยงของเจ้าหน้าที่ฯ หรือค่าจ้างผู้แทนฯ เท่านั้น

ข้อ ๖ กรณีพัสดุที่จะจัดซื้อเป็นรายการที่ ได้รับการรับรองตามกระบวนการ PEA Product Acceptance การไฟฟ้าส่วนภูมิภาคจะดำเนินการดังนี้

๖.๑ ในการพิจารณาทางเทคนิค หากผู้ยื่นข้อเสนอ เสนอผลิตภัณฑ์ที่ได้รับการรับรองตาม กระบวนการ PEA Product Acceptance ที่ยังไม่หมดอายุการรับรอง ให้แนบใบรับรองฯ ของการไฟฟ้าส่วน ภูมิภาค พร้อมเอกสารประกอบการเสนอราคา โดยไม่ต้องยื่นเอกสารทางเทคนิคอื่นๆ และคณะกรรมการ พิจารณาผลฯ ไม่ต้องพิจารณาเอกสารทางเทคนิค โดยให้ยึดตามใบรับรองฯ เท่านั้น

๖.๒ ในขั้นตอนการตรวจรับพัสดุที่จัดซื้อ หากพัสดุรายการใดเป็นพัสดุที่ไม่ได้รับการรับรอง ตามกระบวนการ PEA Product Acceptance ให้คณะกรรมการตรวจรับฯ ดำเนินการตรวจรับพัสดุดังกล่าว ตามขั้นตอน และวิธีการตรวจรับพัสดุของ การไฟฟ้าส่วนภูมิภาคที่บังคับใช้อยู่ ณ ปัจจุบัน

ทั้งนี้ หากพัสดุรายการใดได้รับการรับรองตามกระบวนการ PEA Product Acceptance ที่ยังไม่หมดอายุ การรับรองให้คณะกรรมการตรวจรับฯ ใช้เอกสารผลการทดสอบคุณภาพผลิตภัณฑ์จากผู้ผลิต และ Product DNA (เอกสารที่ช่วยในการตรวจสอบและคัดกรองผลิตภัณฑ์ในเบื้องต้น ซึ่งประกอบด้วยข้อมูล Type test และ รูปภาพส่วนประกอบต่างๆ ของผลิตภัณฑ์) เพื่อประกอบการตรวจรับพัสดุดังกล่าว โดยไม่ต้องสุ่มทดสอบอีก

๖.๓ ผู้ชนะการเสนอราคา หรือ คู่สัญญา จะต้องยื่นเอกสารแผนการผลิตและการควบคุม คุณภาพการผลิตให้ การไฟฟ้าส่วนภูมิภาค ซึ่งการไฟฟ้าส่วนภูมิภาคขอสงวนสิทธิ์ในการเข้าตรวจสอบในขั้นตอน การผลิต (In Process) หรือให้ผู้แทน รวมถึงหน่วยตรวจประเมินที่การไฟฟ้าส่วนภูมิภาค ให้การรับรองเข้า ดำเนินการดังกล่าว โดยค่าใช้จ่ายที่เกิดขึ้นเป็นของการไฟฟ้าส่วนภูมิภาค หากต้องการตรวจสอบซ้ำเนื่องจาก การตรวจสอบครั้งแรกไม่เป็นไปตามเงื่อนไข หรือหลักเกณฑ์ที่ การไฟฟ้าส่วนภูมิภาคกำหนด ผู้ชนะการเสนอ ราคา หรือ คู่สัญญาต้องเป็นผู้รับผิดชอบค่าใช้จ่ายที่เกิดขึ้นทั้งหมด

ข้อ ๗ กรณีผู้ยื่นข้อเสนอ เสนอผลิตภัณฑ์ที่เป็นเซอร์กิตเบรกเกอร์ สวิตช์ และอุปกรณ์ตัดตอนในระบบ จำหน่าย ผู้ยื่นข้อเสนอจะต้องดำเนินการ ดังนี้

๗.๑ เซอร์กิตเบรกเกอร์ ที่จะจัดซื้อตั้งแต่ระบบ 22 kV ขึ้นไป จะต้องมียุคสมบัติเป็นไปตาม รายละเอียดสเปค (Specifications) ของการไฟฟ้าส่วนภูมิภาค และต้องมีคุณสมบัติข้อใดข้อหนึ่ง ดังนี้

๗.๑.๑ ผลิตโดยผู้ผลิตที่มีประสบการณ์ในการผลิตอุปกรณ์ประเภทดังกล่าวมาแล้ว ไม่น้อยกว่า ๓ ปี และต้องเคยติดตั้งใช้งานโดยไม่มีปัญหาในสถานีไฟฟ้าของภาครัฐ และหรือเอกชนในประเทศที่ เชื่อมถือได้ มาแล้วไม่น้อยกว่า ๑ แห่ง โดยกรณีนี้ ผู้ยื่นข้อเสนอ จะต้องยื่นเอกสารแสดงประวัติการขาย (Reference List) หรือ หนังสือรับรองจากลูกค้า มาพร้อมกับการยื่นข้อเสนอ หรือ

๗.๑.๒ เป็นผลิตภัณฑ์ที่ผ่านการขึ้นทะเบียนกับการไฟฟ้าส่วนภูมิภาคแล้ว ได้แก่ การ ขึ้นทะเบียน PEA Product Acceptance หรือ PEA Product list หรือการขึ้นทะเบียนอื่นๆ ที่ การไฟฟ้าส่วน ภูมิภาคกำหนด โดยกรณีนี้ ผู้ยื่นข้อเสนอ จะต้องยื่นหนังสือรับรองการขึ้นทะเบียนที่ ยังไม่หมดอายุ มาพร้อมกับการ ยื่นข้อเสนอ หรือ

๗.๑.๓ เป็นผลิตภัณฑ์ที่ผ่านการทดลองติดตั้งใช้งานในระบบของการไฟฟ้าส่วน ภูมิภาคสำนักงานใหญ่แล้ว โดยกรณีนี้ ผู้ยื่นข้อเสนอจะต้องยื่นเอกสารรับรองการผ่านการทดลองติดตั้งใช้งาน จากการไฟฟ้าส่วนภูมิภาค มาพร้อมกับการยื่นข้อเสนอ

๗.๒ สวิตช์ และอุปกรณ์ตัดตอนในระบบจำหน่ายที่จะจัดซื้อ ตั้งแต่ระบบ 22 kv ขึ้นไป อันได้แก่ Dropout fuse cutout, Disconnecting switches, Air break switches, Remote controlled switches (SF₆, gas load break switches). Automatic switching equipment for switching power capacitor bank และ Recloser จะต้องมีความสมบัติเป็นไปตามรายละเอียดสเปค (Specifications) ของการไฟฟ้าส่วนภูมิภาค และต้องมีคุณสมบัติข้อใดข้อหนึ่ง ดังนี้

๗.๒.๑ ผลิตโดยผู้ผลิตที่มีประสบการณ์ในการผลิตอุปกรณ์ประเภทดังกล่าวมาแล้ว ไม่น้อยกว่า ๓ ปี และต้องเคยติดตั้งใช้งานในระบบจำหน่ายมาแล้วไม่น้อยกว่า ๔๐๐ ชุด โดยกรณีนี้ ผู้ยื่นข้อเสนอ จะต้องยื่นเอกสารแสดงประวัติการขาย (Reference List) หรือ หนังสือรับรองจากลูกค้า มาพร้อมกับการยื่นข้อเสนอ หรือ

๗.๒.๒ เป็นผลิตภัณฑ์ที่ผ่านการขึ้นทะเบียนกับการไฟฟ้าส่วนภูมิภาคแล้ว ได้แก่ การขึ้นทะเบียน PEA Product Acceptance หรือ PEA Product List หรือการขึ้นทะเบียนอื่นๆ ที่การไฟฟ้าส่วนภูมิภาคกำหนด โดยกรณีนี้ ผู้ยื่นข้อเสนอ จะต้องยื่นหนังสือรับรองการขึ้นทะเบียนที่ยังไม่หมดอายุ มาพร้อมกับการยื่นข้อเสนอ หรือ

๗.๒.๓ เป็นผลิตภัณฑ์ที่ผ่านการทดลองติดตั้งใช้งานในระบบของการไฟฟ้าส่วนภูมิภาคสำนักงานใหญ่แล้ว โดยกรณีนี้ ผู้ยื่นข้อเสนอจะต้องยื่นเอกสารรับรองการผ่านการทดลองติดตั้งใช้งานจากการไฟฟ้าส่วนภูมิภาคมาพร้อมกับการยื่นข้อเสนอ

๗.๓ ผู้ยื่นข้อเสนอสามารถเสนอขายเซอร์กิตเบรกเกอร์ สวิตช์หรืออุปกรณ์ตัดตอนในระบบจำหน่าย จากผู้ผลิตที่ไม่มีคุณสมบัติตามที่ระบุไว้ในข้อ ๗.๑ หรือ ๗.๒ ดังกล่าวได้ แต่ต้องเป็นผู้ที่ผลิตภายใต้ใบอนุญาต (License) และจะต้องประทับตราเครื่องหมายการค้า (Brand-Name or Trade-mark) เดิมของผู้ให้ใบอนุญาตบนพัสดุ โดยผู้ให้ใบอนุญาต (Licensor) จะต้องมีคุณสมบัติตามข้อ ๗.๑.๑ หรือ ๗.๒.๑ แล้วแต่กรณี

โดยกรณีนี้ผู้ผลิตภายใต้ใบอนุญาตจะต้องทำการทดสอบเฉพาะแบบ (Design or Type tests) เซอร์กิตเบรกเกอร์ สวิตช์ หรืออุปกรณ์ตัดตอนในระบบจำหน่ายตามมาตรฐานที่กำหนดไว้ในรายละเอียดสเปค (Specification) ใหม่ทั้งหมด

ทั้งนี้ ผู้ยื่นข้อเสนอต้องยื่นใบอนุญาต (License) ที่ยังไม่หมดอายุ มาพร้อมกับการยื่นข้อเสนอแสดงประวัติการขาย (Reference List) หรือ หนังสือรับรองจากลูกค้า ของผู้ให้ใบอนุญาต (Licensor) มาพร้อมกับการยื่นข้อเสนอ

๗.๔ หากผู้ยื่นข้อเสนอ เสนอรายละเอียดไม่เป็นไปตามข้อ ๗.๑, ๗.๒ และ ๗.๓ ข้างต้น การไฟฟ้าส่วนภูมิภาคสงวนสิทธิที่จะไม่จัดซื้อ

ข้อ ๘ กรณีที่อุปกรณ์ไฟฟ้าหลักสำหรับติดตั้งใช้งานในระบบสายส่ง 115 kv และระบบจำหน่าย 22 kv และ 33 kv อันได้แก่ หม้อแปลงไฟฟ้า รีโวลลเซอร์ เซอร์กิตเบรกเกอร์ อุปกรณ์ป้องกัน สวิตช์ อุปกรณ์ตัดตอน ลูกถ้วยไฟฟ้า สายไฟฟ้า หม้อแปลงกระแส (Current transformers) หม้อแปลงแรงดัน (Voltage transformers) รวมถึงมิเตอร์งานหมุนชนิด ๑ เฟส และ ๓ เฟสสำหรับวัดพลังงานไฟฟ้า ผลิตภัณฑ์ใดก็ตามที่การไฟฟ้าส่วนภูมิภาค จัดซื้อในแต่ละสัญญา และติดตั้งใช้งานภายในระยะเวลา ๒ ปี นับจากวันที่ การไฟฟ้าส่วนภูมิภาค มีหนังสือแจ้งผลการตรวจรับงวดสุดท้าย หรือภายในระยะเวลาอื่นตามที่รายละเอียดสเปค (Specification) กำหนด มีสถิติการชำรุดอันเนื่องมาจากคุณภาพของผลิตภัณฑ์ เกินกว่าเกณฑ์ที่กำหนดไว้ในรายละเอียดสเปค (Specification) หรือกำหนดไว้ในเงื่อนไขอื่นๆ ในขอบเขตของงาน (TOR) หรือกำหนดไว้ในสัญญาจัดซื้อ การไฟฟ้าส่วนภูมิภาคจะตัดสิทธิการเสนอราคาผลิตภัณฑ์ดังกล่าว และจะไม่จัดซื้อเป็นการชั่วคราว ทั้งในระหว่างการพิจารณาจัดซื้อ และที่จะประกาศจัดซื้อใหม่จนกว่าผู้ผลิตหรือ ผู้แทนจำหน่ายผลิตภัณฑ์นั้นๆ จะส่งแผนการปรับปรุงคุณภาพผลิตภัณฑ์ และดำเนินการแก้ไขให้เป็นที่ยอมรับจาก การไฟฟ้าส่วนภูมิภาคแล้ว

และต้องพินกำหนดระยะเวลา ๖ เดือน นับจากวันที่ การไฟฟ้าส่วนภูมิภาค มีหนังสือแจ้งตัดสิทธิการเสนอราคา ผลิตภัณฑ์ดังกล่าวด้วย

ทั้งนี้ เงื่อนไขดังกล่าวจะไม่มีผลใช้บังคับย้อนหลังไปถึงการจัดซื้อที่ยังไม่มีเงื่อนไขนี้กำหนดไว้

ข้อ ๙ ผู้ชนะการเสนอราคาจะต้องแจ้งกำหนดวันส่งมอบพัสดุเป็นลายลักษณ์อักษรให้หน่วยงานจัดซื้อ และ/หรือ หน่วยงานที่จัดจัดส่งของการไฟฟ้าส่วนภูมิภาคทราบล่วงหน้าไม่น้อยกว่า ๓ วันทำการ เพื่อที่จะได้ กำหนดนัดวันตรวจรับต่อไปและจะต้องส่งมอบพัสดุระหว่างเวลา ๐๘.๓๐ น. ถึง ๑๒.๐๐ น. ของวันที่ทำการส่งมอบด้วย

ข้อ ๑๐ การตรวจสอบสภาพด้านทานของสายอลูมิเนียมหุ้มฉนวน การไฟฟ้าส่วนภูมิภาค ได้กำหนดแนวปฏิบัติ สำหรับการทดสอบสภาพด้านทานของสายอลูมิเนียมตีเกลียวหุ้มฉนวน ตาม มอก. ๒๕๓ ฉบับล่าสุด ดังนี้

๑๐.๑ การชักตัวอย่าง

คณะกรรมการตรวจรับการไฟฟ้าส่วนภูมิภาคจะสุ่มตัวอย่างสายไฟฟ้าที่ผลิตเสร็จเรียบร้อย (ตีเกลียวและหุ้มฉนวนแล้ว) และนำตัวอย่างมาทดสอบคุณสมบัติต่างๆ รวมทั้งการทดสอบสภาพด้านทานของสายไฟฟ้าด้วย ตามที่การไฟฟ้าส่วนภูมิภาคกำหนด

๑๐.๒ วิธีการทดสอบสภาพด้านทาน วิธีการทดสอบสภาพด้านทานเป็นไปตาม มอก. ๘๕ ฉบับล่าสุด โดยนำเฉพาะลวดตัวนำเส้นกลางมาหาค่าสภาพด้านทาน โดยวัดความต้านทานที่ อุณหภูมิห้อง แล้วปรับเป็นค่าที่อุณหภูมิ ๒๐ องศาเซลเซียส โดยวิธีการตาม มอก.กำหนด เพื่อนำไปคำนวณค่าสภาพด้านทานต่อไป

๑๐.๓ เกณฑ์ตัดสิน สายลวดอลูมิเนียมตีเกลียวจะถือว่าผ่านการทดสอบนี้ เมื่อมีค่าสภาพด้านทานไม่เกิน ค่าตามที มอก.๒๕๓ ฉบับล่าสุดกำหนดไว้

ข้อ ๑๑ พักติที่การไฟฟ้าส่วนภูมิภาคกำหนดให้มีการทดสอบเพื่อการตรวจรับในหัวข้อที่เป็นการทดสอบแบบทำลาย จนพัสดุไม่สามารถนำกลับมาใช้งานได้ คู่สัญญาจะต้องนำพัสดุใหม่มาทดแทนเพื่อให้ครบจำนวนตามที่ระบุไว้ในสัญญาก่อนการไฟฟ้าส่วนภูมิภาครับมอบพัสดุไว้ใช้งาน โดยการไฟฟ้าส่วนภูมิภาคจะมีหนังสือแจ้งให้ส่งของมาทดแทน ภายใน ๕ วันทำการนับจากวันที่ได้รับหนังสือแจ้ง หากคู่สัญญาไม่นำมาทดแทนภายในเวลาที่กำหนด การไฟฟ้าส่วนภูมิภาคจะคิดค่าปรับกรณีส่งของล่าช้าในอัตราร้อยละ ๐.๒๐ ของมูลค่าพัสดุนำมาทดแทน และผู้ขายต้องรับพัสดุที่ทดสอบแล้วชำระคืนกลับไป ภายใน ๓๐ วัน หลังจากได้นำพัสดุมาทดแทนให้การไฟฟ้าส่วนภูมิภาคแล้ว หากผู้ขายไม่ประสงค์จะรับพัสดุนั้นให้ทำหนังสือแจ้งการไฟฟ้าส่วนภูมิภาคทราบเพื่อที่จะดำเนินการต่อไป

ข้อ ๑๒ การชำระราคาพัสดุที่ตกลงซื้อขายกันการไฟฟ้าส่วนภูมิภาคจะชำระภายในเวลา ๓๐ วัน นับถัดจากวันที่การไฟฟ้าส่วนภูมิภาคได้ทำการตรวจรับพัสดุที่คู่สัญญาส่งมอบถูกต้องเรียบร้อยแล้วในแต่ละงวด และห้ามคู่สัญญาโอนสิทธิเรียกร้องการรับเงินให้กับบุคคลภายนอก

ข้อ ๑๓ ผู้ชนะการเสนอราคาจะต้องรับประกันความชำรุดบกพร่องอันเนื่องมาจากการใช้งานตามปกติของพัสดุเป็นเวลาไม่น้อยกว่า ๑ ปี นับถัดจากวันที่การไฟฟ้าส่วนภูมิภาคได้รับมอบแล้ว เว้นแต่

๑๓.๑ ปูนซีเมนต์ปอร์ตแลนด์ประเภทเกิดแรงสูงเร็ว ต้องรับประกันคุณภาพเป็นเวลาไม่น้อยกว่า ๓๐ วัน นับถัดจากวันที่การไฟฟ้าส่วนภูมิภาคได้รับมอบแล้ว

๑๓.๒ พักติประเภทดังต่อไปนี้ต้องรับประกันคุณภาพเป็นเวลาไม่น้อยกว่า ๓ ปี เว้นแต่รายละเอียดสเปค (Specification) กำหนดระยะเวลารับประกันคุณภาพไว้มากกว่า ๓ ปี นับถัดจากวันที่การไฟฟ้าส่วนภูมิภาคได้รับมอบแล้ว ให้ถือระยะเวลารับประกันคุณภาพที่กำหนดไว้ในรายละเอียดสเปค

-On-load tap-changing power transformers for 115 kV subtransmission substation

- Three-phase automatic voltage regulators (AVR) for 22 kV and 33 kV 50 Hz distribution System
- Single-phase and Three-phase transformers for 22 kV and 33 kV 50 Hz distribution system with and without ability to withstand short circuit
- Remote controlled switches for 22 kV and 33 kV 50 Hz distribution system
- Solid dielectric three-phase automatic reclosers for 22 kV and 33 kV 50 Hz distribution System
- Automatic switching equipment for HV power capacitor Bank
- Single-phase and Three-phase electromechanical and electronic energy meters

๑๓.๓ พัสตุที่จะจัดซื้อเป็น Porcelain cable spacer with grip locks and High-Density Polyethylene (HDPE) cable spacers and snap-tie ต้องรับประกันคุณภาพเป็นเวลาไม่น้อยกว่า ๕ ปี นับถัดวันที่การไฟฟ้าส่วนภูมิภาคได้รับมอบแล้ว

ถ้าพัสตุเกิดความบกพร่องเนื่องจากพัสตุและหรือฝีมือไม่ดี ต้องรีบจัดการแก้ไขหรือเปลี่ยนใหม่ ให้รีบร้อยโดยไม่คิดมูลค่า ภายใน ๓๐ วัน นับถัดจากวันที่ได้รับแจ้งจากการไฟฟ้าส่วนภูมิภาค และหากความบกพร่องดังกล่าวเป็นเหตุให้เกิดความเสียหายหรือเกิดอุบัติเหตุใดๆขึ้น ผู้ชนะการเสนอราคาจะต้องรับผิดชอบค่าใช้จ่ายเสียหายทั้งหมด ตามข้อกำหนดทั่วไป และ/หรือรายละเอียดสเปค (Specification) จะกำหนดไว้ โดยไม่มีข้อโต้แย้งใดๆ

ในกรณีที่ผู้ชนะการเสนอการรับพัสตุไปแก้ไข หรือการไฟฟ้าส่วนภูมิภาคส่งมอบพัสตุให้ผู้ชนะการเสนอราคาไปดำเนินการแก้ไข และผู้ชนะการเสนอการส่งมอบพัสตุที่แก้ไขแล้วคืนเกินกำหนดเวลา ๓๐ วัน ผู้ชนะการเสนอราคาต้องขยายกำหนดเวลารับประกันความชำรุดบกพร่องเท่ากับจำนวนวันที่เกินจากกำหนด ๓๐ วัน โดยนับต่อจากวันครบกำหนดเวลารับประกันเดิม สำหรับกรณีที่แก้ไขแล้วเสร็จพ้นกำหนดเวลารับประกัน ให้ขยายกำหนดตามจำนวนวันที่เกินจากกำหนด ๓๐ วัน โดยนับต่อจากวันส่งมอบพัสตุที่แก้ไขเสร็จเรียบร้อยแล้ว แต่กรณี และยอมให้การไฟฟ้าส่วนภูมิภาคปรับเป็นรายวันในอัตรา ร้อยละ ๐.๐๔๑๐๙ ของราคาพัสตุรวมภาษีมูลค่าเพิ่ม ที่แก้ไขเกินกำหนด

ข้อ ๑๔ โครงการจัดซื้อจัดจ้างที่มีวงเงินตั้งแต่ ๕๐๐ ล้านบาทขึ้นไป รวมถึงการจัดซื้อจัดจ้างแบบเป็นกลุ่มประกวดราคา (Bid Group) ที่มีวงเงินตั้งแต่ ๕๐๐ ล้านบาทขึ้นไป (ตามประกาศคณะกรรมการความร่วมมือป้องกันการทุจริต เรื่อง มาตรฐานขั้นต่ำของนโยบายและแนวทางป้องกันการทุจริตในการจัดซื้อจัดจ้างที่ผู้ประกอบการ ต้องจัดให้มี ตามมาตรา ๑๙ แห่งพระราชบัญญัติการจัดซื้อจัดจ้างและการบริหารพัสดุภาครัฐ พ.ศ. ๒๕๖๐) ผู้เข้าร่วมการเสนอราคาจะต้องมีนโยบายและแนวทางการป้องกันการทุจริตในการจัดซื้อจัดจ้างพร้อมทั้ง ต้องแนบเอกสารหลักฐาน และแบบตรวจสอบข้อมูลของผู้ประกอบการที่จะเข้าร่วมการเสนอราคาในโครงการที่มีวงเงินตั้งแต่ ๕๐๐ ล้านบาทขึ้นไป ประกอบเป็นเอกสารการเสนอราคา โดยผู้ประกอบการจะต้องมีการดำเนินการตามแบบตรวจสอบข้อมูลครบถ้วนทุกข้อจึงจะผ่านการพิจารณาคุณสมบัติของ ผู้เสนอราคา

ทั้งนี้เงื่อนไขตามข้อ ๑๔ ดังกล่าวจะเริ่มใช้ตั้งแต่วันที่ ๕ กุมภาพันธ์ ๒๕๖๒ เป็นต้นไป

ข้อ ๑๕ โครงการจัดซื้อจัดจ้างที่มีวงเงินตั้งแต่ ๑,๐๐๐ ล้านบาทขึ้นไป จะต้องดำเนินการตามประกาศคณะกรรมการความร่วมมือป้องกันการทุจริต (ค.ป.ท.) เรื่องแนวทางและวิธีการในการดำเนินงานโครงการความร่วมมือป้องกันการทุจริตในการจัดซื้อจัดจ้างภาครัฐ แบบของข้อตกลงคุณธรรม การคัดเลือกผู้สังเกตการณ์ และการจัดทำรายงานตามมาตรา ๑๗ และ มาตรา ๑๘ แห่งพระราชบัญญัติการจัดซื้อจัดจ้างและการบริหารพัสดุภาครัฐ พ.ศ. ๒๕๖๐ และได้รับ คัดเลือก จากคณะกรรมการความร่วมมือป้องกันการทุจริต (ค.ป.ท.) ให้จัดทำข้อตกลงคุณธรรม (integrity pact :IP)

ผู้ประสงค์จะเข้าร่วมการเสนอราคาในโครงการจัดทำข้อตกลงคุณธรรมจะต้องลงนามในข้อตกลงคุณธรรมซึ่งเป็นเอกสารที่ยื่นพร้อมกับเอกสารเสนอราคา หากไม่ลงนามในข้อตกลงคุณธรรมจะไม่มีสิทธิเข้าร่วมการเสนอราคาในโครงการนั้น

รายละเอียดเพิ่มเติมการจัดซื้อฮาร์ดแวร์

๑. กำหนดให้เป็นหน้าที่ของผู้ชนะการเสนอราคาที่จะต้องจัดให้คณะกรรมการตรวจสอบการผลิต เข้าตรวจสอบการผลิตอุปกรณ์ไฟฟ้าประเภท Hardware ใน Lot ที่จะส่งมอบต่อการไฟฟ้าส่วนภูมิภาคชั้นหนึ่งก่อน เพื่อคณะกรรมการฯ จะได้กั้นกรงคุณภาพในขั้นต้น ซึ่งหากพบข้อบกพร่องที่จะต้องแก้ไข ก็จะได้แก้ไขได้โดยง่ายเพราะยังอยู่ในระหว่างการผลิต
๒. คณะกรรมการฯ มีอำนาจที่จะสั่งให้ผู้ชนะการเสนอราคา หรือผู้ผลิตแก้ไขข้อบกพร่องได้ทันทีที่พบข้อบกพร่อง ในขณะที่เข้าตรวจสอบการผลิต โดยประธานกรรมการฯ ลงนามแจ้งเป็นหนังสือให้ผู้ชนะการเสนอราคาทราบ
๓. ชนิดอุปกรณ์ และขั้นตอนการตรวจสอบการผลิต มีดังนี้ :-

ชนิดอุปกรณ์

- | | | |
|---------------|----------------------|------------|
| 1. Bolt | 4. Ground Rod | 7. Nut Eye |
| 2. Anchor Rod | 5. Rack | |
| 3. Clamp | 6. Pin For Insulator | |

ขั้นตอนการตรวจสอบการผลิต

การไฟฟ้าส่วนภูมิภาคสงวนสิทธิ์ที่จะทำการตรวจสอบการผลิตทุกขั้นตอนตั้งแต่ การป้อนชิ้นรูป, การหล่อ, การเชื่อม, การทำเกลียว, การอบสังกะสี, การประกอบ, ตลอดจนการบรรจุหีบห่อ

๔. หากคู่สัญญาไม่ยินยอมให้คณะกรรมการเข้าตรวจสอบหรือไม่ยอมแก้ไขข้อบกพร่องตามที่คณะกรรมการฯ แจ้งให้แก้ไข จะมีผลทำให้คณะกรรมการตรวจรับ ปฏิเสธการรับของนั้นๆ ได้
๕. การตรวจสอบในขั้นต้นของคณะกรรมการฯ นั้นจะไม่ถือว่าเป็นการตรวจรับอุปกรณ์ใน Lot นั้นๆ จนกว่าจะมีการส่งมอบ และตรวจรับของตามสัญญาอย่างถูกต้อง
๖. คณะกรรมการฯ มีสิทธิเลือกสุ่ม หรือนำของที่อยู่ระหว่างการผลิตมาทดสอบ และหากของนั้นชำรุดหรือเสียหายจากการทดสอบคุณภาพ คู่สัญญาจะต้องไม่เรียกค่าเสียหายใดๆ ทั้งสิ้น
๗. ความล่าช้าอันเนื่องมาจากเหตุตามข้อ ๔ คู่สัญญาจะถือเป็นเหตุยกเว้นความรับผิดชอบในการส่งมอบสิ่งของตามกำหนดเวลาในสัญญาไม่ได้
๘. เพื่อขจัดปัญหาข้อขัดแย้งเกี่ยวกับคุณภาพการผลิต ซึ่งอาจเกิดขึ้นระหว่างคณะกรรมการฯ กับ คู่สัญญาให้ถือผลการทดสอบจาก การไฟฟ้าส่วนภูมิภาคหรือหน่วยทดสอบเครือข่ายที่การไฟฟ้าส่วนภูมิกาตรับรองเป็นข้อยุติ