



การไฟฟ้าส่วนภูมิภาค
PROVINCIAL ELECTRICITY AUTHORITY

PROVINCIAL ELECTRICITY AUTHORITY

TECHNICAL SPECIFICATION DIVISION

THREE-PHASE TRANSFORMERS FOR 22 kV AND 33 kV 50 Hz DISTRIBUTION SYSTEMS WITH ABILITY TO WITHSTAND SHORT CIRCUIT

Specification No. RTRN-035/2561

Approved date : 30/05/2562

Rev. No. : 5

Form No. 02-3S

Page 1 of 32

ประกวดราคาอิเล็กทรอนิกส์เลขที่ : กฟภ.กจน.ป(มป)-003-2563

C Material, equipment, and specifications for THREE-PHASE TRANSFORMERS FOR 22 kV AND 33 kV 50 Hz DISTRIBUTION SYSTEMS WITH ABILITY TO WITHSTAND SHORT CIRCUIT

C1 General material and packing instructions

Additional to the general instructions, the following shall be observed:

1a Scope

These specifications cover three-phase transformers, oil-immersed, natural self-cooled, power range from 50 kVA to 2,000 kVA, designed and constructed to withstand without damage the thermal and dynamic effects of external short circuits, suitable for outdoor installation on 22 kV and 33 kV 50 Hz distribution systems.

1b Standards

The transformers shall be manufactured and tested in accordance with the following standards:

Thailand Industrial Standard (TIS)

TIS 384: 2543 Power Transformers

International Electrotechnical Commission (IEC)

IEC 60076-1:2011 Power transformers– Part 1: General

IEC 60076-2:2011 Power transformers – Part 2: Temperature rise for liquid-immersed transformers

IEC 60076-3:2013 Power transformers – Part 3: Insulation levels, dielectric tests and external clearances in air

IEC 60076-5:2006 Power transformers – Part 5: Ability to withstand short circuit

IEC 60296: 2012 Fluids for electrotechnical applications – Unused mineral insulating oils for transformers and switchgear

International Organization for Standardization

ISO 12944-5:2007 Paints and varnishes - Corrosion protection of steel structures by protective paint systems - Part 5: Protective paint systems

LV bushings shall be in accordance with the DIN 42530. HV bushings shall be in accordance with the DIN 42531.

And all other relevant standards, unless otherwise specified in these specifications.

PEA will also accept the transformers and accessories tested in accordance with the later edition of the above standards.



การไฟฟ้าส่วนภูมิภาค
PROVINCIAL ELECTRICITY AUTHORITY

PROVINCIAL ELECTRICITY AUTHORITY

TECHNICAL SPECIFICATION DIVISION

THREE-PHASE TRANSFORMERS FOR 22 kV AND 33 kV 50 Hz DISTRIBUTION SYSTEMS WITH ABILITY TO WITHSTAND SHORT CIRCUIT

Specification No. RTRN-035/2561

Approved date : 30/05/2562

Rev. No. : 5

Form No. 02-3S

Page 2 of 32

PEA will also accept the type test report in accordance with the previous edition of the above standards, if there is no significant change in any test items or no additional test item(s) compared with the above standards. On the other hand, if there is significant change in any test items or there are any additional test items, the previous edition type test report with the additional test report(s) of the significant change test item(s) and/or additional test item(s) will be also accepted.

1c Principal requirement

1c.1 Service conditions and installation

The transformers shall be designed and constructed for outdoor installation and operation under the following conditions:

Altitude	: up to 1,000 m above sea level
Ambient air temperature	: 50°C, maximum
	: 40°C, monthly average, of the hottest month
Relative humidity	: up to 94 %
Climate condition	: tropical climate

Table 1 Transformer installation

Transformer Rating (kVA)	Installation
50 – 250	on concrete pole and on platform
315 – 1,500	on platform and on concrete foundation
2,000	on concrete foundation

1c.2 Oil preservation system

The transformers of **50 kVA to 500 kVA** shall be permanently sealed and completely oil filled system (without gas cushion) type (usually corrugated tank). The transformer tank cover shall be bolt tightened to the tank with suitable gasket sealing.

The transformers of **630 kVA to 2,000 kVA** shall be conservator system type.

1c.3 Rating

1. Rated power

The rated power, on continuous operation, for transformers shall be as follows:

50 kVA	250 kVA	500 kVA	1,000 kVA	2,000 kVA
100 kVA	315 kVA	630 kVA	1,250 kVA	
160 kVA	400 kVA	800 kVA	1,500 kVA	



การไฟฟ้าส่วนภูมิภาค
PROVINCIAL ELECTRICITY AUTHORITY

PROVINCIAL ELECTRICITY AUTHORITY

TECHNICAL SPECIFICATION DIVISION

THREE-PHASE TRANSFORMERS FOR 22 kV AND 33 kV 50 Hz DISTRIBUTION SYSTEMS WITH ABILITY TO WITHSTAND SHORT CIRCUIT

Specification No. RTRN-035/2561

Approved date : 30/05/2562

Rev. No. : 5

Form No. 02-3S

Page 3 of 32

2. Rated voltages

The rated voltage of windings is given in Table 2.

Table 2 Rated voltage

Rated Primary Voltage	Rated Secondary Voltage
22 kV, 33 kV	416/240 V

3. Rated frequency: 50 Hz

1c.4 Core and windings

The cores and windings of transformers shall be as follows:

Table 3 Core and windings

Transformer Rating (kVA)	Construction of Core	HV and LV Windings shall be made of	Construction of Windings	
			HV winding	LV winding
50-2,000	According to manufacturer's standard	copper only	According to manufacturer's standard	According to manufacturer's standard

1c.5 Tappings

The primary windings of transformers shall be provided with full capacity of externally-operated off-circuit tap changers.

Tapping range: $\pm 2 \times 2.5\%$ of rated primary voltage

The externally-operated off-circuit tap changer shall be designed for de-energized operation with the operating handle brought out through the cover of the tank. The operating handle shall have provision for locking and shall give visual indication of the tapping position without unlocking.

The tap changer shall have a locking device to prevent improper use. The operating handle shall be rotated in clockwise direction from a high tap voltage to a lower tap voltage. The tap changer shall be provided with stops to identify the highest and lowest tap position. The tap changer positions shall be identified by the numbers in sequence. The number "1" shall be designated to the highest tap voltage. Consequently the number "5" indicates the lowest tap voltage. These identifications shall be in perfect correspondence to those indicated in the connection diagram on the nameplate. All five positions of the tap changer shall be operative positions.

The tap positions shall be indelibly marked with weather-proof paint and in a color which shall present distinctive contrast to the surrounding material.

The operating handle of tap changer shall be made from non-corrosion metal. Plastic is not acceptable.



การไฟฟ้าส่วนภูมิภาค
PROVINCIAL ELECTRICITY AUTHORITY

PROVINCIAL ELECTRICITY AUTHORITY

TECHNICAL SPECIFICATION DIVISION

THREE-PHASE TRANSFORMERS FOR 22 kV AND 33 kV 50 Hz DISTRIBUTION SYSTEMS WITH ABILITY TO WITHSTAND SHORT CIRCUIT

Specification No. RTRN-035/2561

Approved date : 30/05/2562

Rev. No. : 5

Form No. 02-3S

Page 4 of 32

1c.6 Connection symbol

50 kVA to 2,000 kVA transformers shall have connection symbol Dyn 11.

1c.7 Losses and Short - circuit impedance

The specified or guaranteed losses plus positive tolerance, for each transformer unit shall not be more than the losses are shown in the **Table 4**.

Short-circuit impedance shall be measured on the principle tapping of 22 or 33 kV at ambient temperature then corrected to 75°C.

Short-circuit impedance of the offered transformers shall be as specified in the **Table 4** and have tolerance within $\pm 10\%$ except for transformer rating 500 kVA, the short-circuit impedance at 75°C of transformer rating 500 kVA shall be 6.5 or more.

Table 4 Losses and short circuit impedance

Transformer Rating (kVA)	Watt Loss (W)			Short-circuit Impedance at 75°C (%)
	No-load loss, for system voltage of :		Load loss at 75°C	
	22 kV	33 kV		
50	110	170	875	4
100	180	260	1450	4
160	260	370	2000	4
250	360	520	2750	4
315	440	630	3250	4
400	520	750	3850	4
500	610	900	4600	6.5 or more
630	680	1050	5600	6
800	800	1150	7000	6
1,000	940	1300	9000	6
1,250	1150	1530	11000	6
1,500	1380	1850	13200	6
2,000	1800	2140	18000	6

1c.8 Limits of temperature-rise, above 50°C ambient temperature

Of top oil : not exceeding 50 K

Of winding : not exceeding 55 K



**THREE-PHASE TRANSFORMERS FOR 22 kV AND 33 kV 50 Hz DISTRIBUTION SYSTEMS
WITH ABILITY TO WITHSTAND SHORT CIRCUIT**

Specification No. RTRN-035/2561

Approved date : 30/05/2562

Rev. No. : 5

Form No. 02-3S

Page 5 of 32

1c.9 Insulation level

The insulation level of HV windings, LV windings and connected parts of transformers shall be as specified in the Table 5:

Table 5 Insulation level

Nominal System Voltage (kV, r.m.s.)	Insulation Level	
	Impulse Test Voltage Full-wave (kV, peak)	Power Frequency Test Voltage, 1-min (kV, r.m.s.)
22	125	50
33	170	70
0.416/0.24	30	10

1c.10 Bushings

1. Number and location

Each transformer shall have three (3) high-voltage bushings and four (4) low-voltage bushings located on the cover of the tank.

Secondary neutral point of transformer shall be brought out by separate-insulated bushing(s) and loaded with rated current.

The HV bushings shall not be completed with the arcing horns.

2. Material

Transformer bushings shall be made of good commercial-grade wet-process porcelain.

The entire porcelain surface of the bushings that will be exposed after assembly shall be glazed.

The color of the glaze shall be brown.

3. Electrical characteristics

Transformer bushings shall be capable of withstanding the impulse and low-frequency voltage specified in the Table 6:

Table 6 Electrical characteristics

Bushing	Impulse Full Wave (kV, peak)	Low-frequency, 50 Hz (kV, r.m.s.)	
		Dry 1-minute	Wet 10-second
High-voltage bushings for 22 kV system	125	50	50
High-voltage bushings for 33 kV system	170	70	70
Low-voltage bushings	30	10	10



การไฟฟ้าส่วนภูมิภาค
PROVINCIAL ELECTRICITY AUTHORITY

PROVINCIAL ELECTRICITY AUTHORITY

TECHNICAL SPECIFICATION DIVISION

THREE-PHASE TRANSFORMERS FOR 22 kV AND 33 kV 50 Hz DISTRIBUTION SYSTEMS WITH ABILITY TO WITHSTAND SHORT CIRCUIT

Specification No. RTRN-035/2561

Approved date : 30/05/2562

Rev. No. : 5

Form No. 02-3S

Page 6 of 32

4. Minimum Clearance

Safety clearance of Transformer bushings shall comply with minimum Clearance Criterion, which measurement between live part to live part or live part to ground shall be as follows.

- At least 225 mm for 22 kV System
- At least 320 mm for 33 kV System

5. Test report

The bidders have to submit the test report of bushing with the bid in order to confirm the electrical characteristic in **Table 6 Electrical characteristics**, the bidders who cannot submit will be rejected. The test of bushing can be conducted by manufacturer or third party laboratories.

1c.11 Terminal connectors

HV bushings shall be equipped with solderless clamp type connectors for aluminium conductor diameter range from 7.5 mm to 12.6 mm (sizes 35-95 mm²).

Only for 50 kVA to 1,250 kVA transformers: LV bushings shall be equipped with terminal pad connectors (stud type connectors are preferable), of high conductivity bronze and hot-tin dipped. The terminal pads shall be drilled in accordance with NEMA Standards (9/16" holes on 1 3/4" centers); each hole shall be furnished with one (1) bolt M12 x 60 mm (of at least 50 mm thread length), one (1) nut, two (2) flat washers, and one (1) lock washer; details of terminal pads shall be according to Drawing No. SA4-015/47002. The connectors shall be provided with mounting hardware (bolts, nuts, washers, and lock washers) of stainless steel or better.

Only for 1,500 kVA to 2,000 kVA transformers: LV bushings shall be equipped with solderless clamp type connectors (stud type connectors are preferable), of high conductivity bronze and hot-tin dipped, for aluminium and copper conductor sizes, and number of circuits take off shall be as **Table 7:**

Table 7 Terminal connectors for 1,500 kVA to 2,000 kVA transformers

Transformer Rating (kVA)	Applicable to Aluminium and Copper Conductors		Number of Circuits
	diameter range (mm)	sizes (mm ²)	
1,500	18.4 - 29.2	240 - 500	4
2,000	18.4 - 29.2	240 - 500	6

The connectors shall be provided with mounting hardware (bolts, nuts, washers, and lock washers) of stainless steel or better. The details of connectors shall be according to Drawing No. SA4-015/47002.



การไฟฟ้าส่วนภูมิภาค
PROVINCIAL ELECTRICITY AUTHORITY

PROVINCIAL ELECTRICITY AUTHORITY

TECHNICAL SPECIFICATION DIVISION

THREE-PHASE TRANSFORMERS FOR 22 kV AND 33 kV 50 Hz DISTRIBUTION SYSTEMS WITH ABILITY TO WITHSTAND SHORT CIRCUIT

Specification No. RTRN-035/2561

Approved date : 30/05/2562

Rev. No. : 5

Form No. 02-3S

Page 7 of 32

1c.12 Tank and Tank finish

Tank and cover shall be constructed of welded steel plate suitable reinforced. The joints between the tank and cover shall be provided with suitable flanges properly bolted together with gaskets.

Tank cover shall have 90° downward bent edges on all sides to protect the gasket under the top cover from direct exposure to weather.

Gaskets between metal surfaces shall be set in grooves or held in position by retainers so arranged that all parts are bolted metal-to-metal. The gaskets shall be made of resilient material which will not deteriorate under the action of hot oil and will remain oil-tight. Gaskets of such material which can be easily damaged by overpressing are not acceptable.

The transformer tank shall be finished with mounting bracket for surge arrester (Surge arrester polymer housing type supplied by PEA) and shall be furnished with three (3) earthing terminal provided for ground leads of surge arrester, see Drawing No. SA4-015/50008.

The bidders have to give the transformer's tank dimensions which passed type test in **2a Performance data and guarantee of three-phase transformer (Page 29 of 32)**.

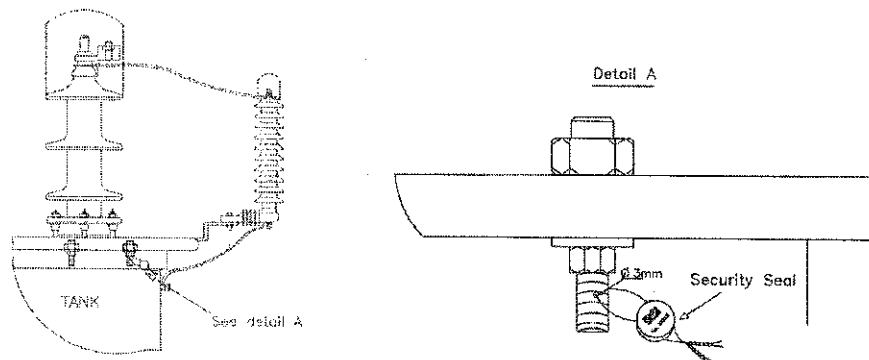
Tolerance of the transformer's tank dimensions for the purposed transformer shall be within ± 3 percent of the declared dimensions which given by the bidders in above information, Otherwise shall be rejected.

The distance between tank cover (Top plate) and fins which is installed the earthing terminal for surge arrester shall not less than 200 mm.

The manufacturer's serial number shall be dented on transformer tank cover.

The manufacture shall prepare 3 mm diameter holes for security seals threading. The first position, the hole shall be drilled at the right last bolt which fix tank and cover of transformer and the second position, the hole shall be drilled at the top right of transformer nameplate as **Figure 1**.

The security seals will be installed by PEA after any transformers pass the witness test or acceptance test or others depend on PEA's committee.





การไฟฟ้าส่วนภูมิภาค
PROVINCIAL ELECTRICITY AUTHORITY

PROVINCIAL ELECTRICITY AUTHORITY

TECHNICAL SPECIFICATION DIVISION

THREE-PHASE TRANSFORMERS FOR 22 kV AND 33 kV 50 Hz DISTRIBUTION SYSTEMS WITH ABILITY TO WITHSTAND SHORT CIRCUIT

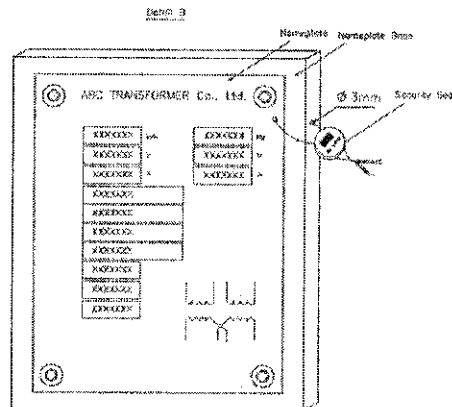
Specification No. RTRN-035/2561

Approved date : 30/05/2562

Rev. No. : 5

Form No. 02-3S

Page 8 of 32



Note : The hole shall be drilled by manufacturer and thread with security seal by PEA

Figure 1 Security seal installation

1c.12.1 Painting system

1. Interior surface

Interior surface shall be finished oil resistant paint or varnish.

2. Exterior surface

The painting system will be suitable for an exterior servicing at medium atmospheric-corrosivity category is as C3, and system number is as A.3.08 in accordance with ISO 12944-5 Table A.3.

The coating system shall be in accordance with the ISO 12944-5 as following:

- Primer coat: The number of coats is one (1) or two (2) coats of Epoxy (Misc) Anti-Corrosive Primer, the dry film thickness shall not less than 80 μm .
- Subsequent coat(s): The number of coats is two (2) to three (3) of Epoxy Intermediate and Polyurethane topcoat with RAL 7036 gray color.
- The total number of coats is two (2) to four (4) coats and the dry film thickness of coating system shall not less than 160 μm .

3. Dry film thickness test and test report

The dry film thickness shall be spot checked for each layer of coating. The position of spot checks is specified as **Figure 2** for transformers of permanently sealed type, and **Figure 3** for transformers of conservator system type.



การไฟฟ้าส่วนภูมิภาค
PROVINCIAL ELECTRICITY AUTHORITY

PROVINCIAL ELECTRICITY AUTHORITY

TECHNICAL SPECIFICATION DIVISION

THREE-PHASE TRANSFORMERS FOR 22 kV AND 33 kV 50 Hz DISTRIBUTION SYSTEMS WITH ABILITY TO WITHSTAND SHORT CIRCUIT

Specification No. RTRN-035/2561

Approved date : 30/05/2562

Rev. No. : 5

Form No. 02-3S

Page 9 of 32

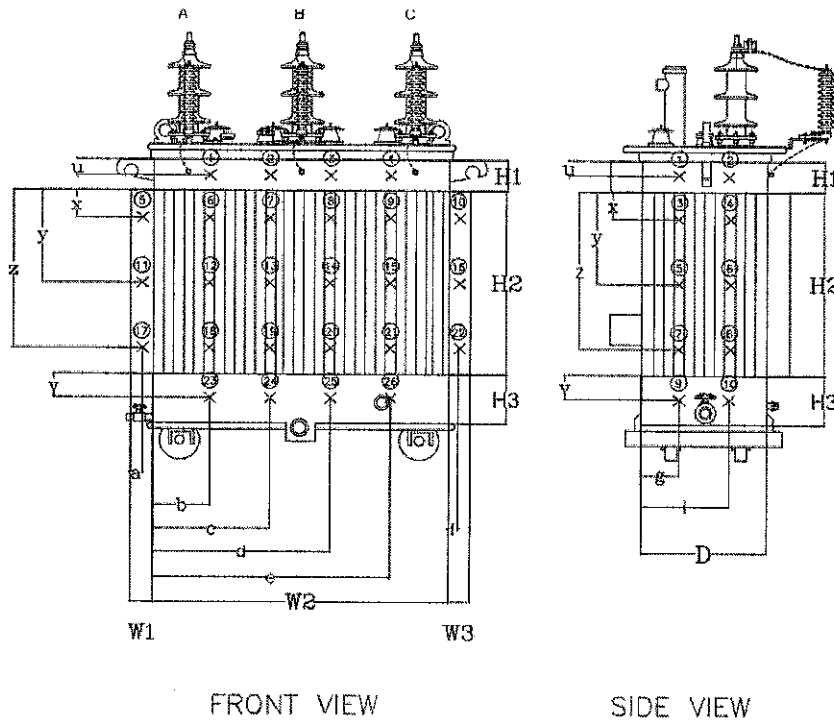


Figure 2 The position of spot checking for transformers of permanently sealed type.

The distance for spot checking of permanently sealed type is as Table 8:

Table 8 Distance for spot checking of permanently sealed type

Symbols	Length	Symbols	Length
a	About 1/2 of width (W1)	u	About 1/2 of height (H1)
b	About 1/5 of width (W2)	v	About 1/2 of height (H3)
c	About 2/5 of width (W2)	x	About 1/4 of height (H2)
d	About 3/5 of width (W2)	y	About 2/4 of height (H2)
e	About 4/5 of width (W2)	z	About 3/4 of height (H2)
f	About 1/2 of width (W3)		
g	About 1/3 of depth (D)		
i	About 2/3 of depth (D)		



การไฟฟ้าส่วนภูมิภาค
PROVINCIAL ELECTRICITY AUTHORITY

PROVINCIAL ELECTRICITY AUTHORITY

TECHNICAL SPECIFICATION DIVISION

THREE-PHASE TRANSFORMERS FOR 22 kV AND 33 kV 50 Hz DISTRIBUTION SYSTEMS WITH ABILITY TO WITHSTAND SHORT CIRCUIT

Specification No. RTRN-035/2561

Approved date : 30/05/2562

Rev. No. : 5

Form No. 02-3S

Page 10 of 32

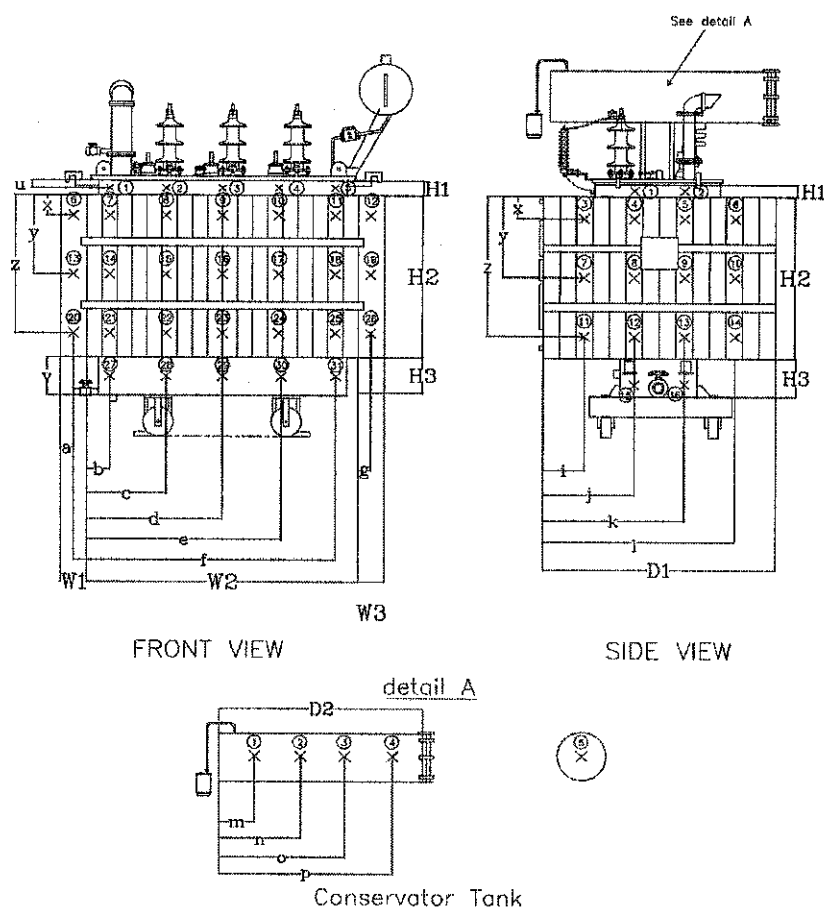


Figure 3 The position for spot checking for transformers of conservator system type.

The distance for spot checking of conservator system type is as **Table 9**:

Table 9 Distance for spot checking of conservator system type

Symbols	Length	Symbols	Length
a	About 1/2 of height (W1)	m	About 1/5 of depth (D2)
b	About 1/6 of height (W2)	n	About 2/5 of depth (D2)
c	About 2/6 of height (W2)	o	About 3/5 of depth (D2)
d	About 3/6 of height (W2)	p	About 4/5 of depth (D2)
e	About 4/6 of height (W2)	u	About 1/2 of height (H1)
f	About 5/6 of height (W2)	v	About 1/4 of width (H3)
g	About 1/2 of height (W3)	x	About 1/4 of width (H2)
i	About 1/5 of depth (D1)	y	About 2/4 of width (H2)
j	About 2/5 of depth (D1)	z	About 3/4 of width (H2)
k	About 3/5 of depth (D1)		
l	About 4/5 of depth (D1)		



การไฟฟ้ช่ลว่ลภาค
PROVINCIAL ELECTRICITY AUTHORITY

PROVINCIAL ELECTRICITY AUTHORITY

TECHNICAL SPECIFICATION DIVISION

THREE-PHASE TRANSFORMERS FOR 22 kV AND 33 kV 50 Hz DISTRIBUTION SYSTEMS WITH ABILITY TO WITHSTAND SHORT CIRCUIT

Specification No. RTRN-035/2561

Approved date : 30/05/2562

Rev. No. : 5

Form No. 02-3S

Page 11 of 32

The bidders have to submit the test report, conducted by the acknowledged testing laboratories or manufacture, with the bid. The Item offered without submitting the dry film thickness test report shall be rejected.

The cost of all tests and reports shall be borne by the bidders/manufacturers/contractor.

1c.12.2 Dry film thickness test report

The required information in dry film thickness test report shall be at least the following items:

- (1) Transformer information
 - 1) Manufacturer's name
 - 2) Model
 - 3) Serial number
 - 4) Number of phase
 - 5) Rated voltage of the high-voltage winding
 - 6) Rated voltage of the low-voltage winding
 - 7) Rated frequency
 - 8) Rated power
 - 9) Rated current of the high-voltage winding
 - 10) Rated current of the low-voltage winding
- (2) Painted information
 - 1) Coating system (flow coating or spraying)
 - 2) The information for each coating (Primer coat, Subsequent coat, Top coat) minimum as following:
 - Type of material
 - Paint Manufacturer
 - Require minimum dry film thickness (μm) as specified
 - Actual dry film thickness (μm) (3 reading per 1 spot checks)
 - 3) Technical Data of coats
 - 4) Painting Procedure

1c.12.3 Acceptance test procedure of dry film thickness test

The total dry film thickness of coating shall be measured by contractor for acceptance testing and witness by the PEA's acceptance committee. Total dry film thickness shall be not less than 160 μm according to ISO 12944-5. PEA will randomly select the samples of transformer only from the first lot. The number of samples and criteria for consideration shall be according to **Table 10**.

PEA reserve the right to send representative to inspect and witness test.

The cost of all tests and reports shall be borne by the manufacturers/contractor.



การไฟฟ้าส่วนภูมิภาค
PROVINCIAL ELECTRICITY AUTHORITY

PROVINCIAL ELECTRICITY AUTHORITY

TECHNICAL SPECIFICATION DIVISION

THREE-PHASE TRANSFORMERS FOR 22 kV AND 33 kV 50 Hz DISTRIBUTION SYSTEMS WITH ABILITY TO WITHSTAND SHORT CIRCUIT

Specification No. RTRN-035/2561

Approved date : 30/05/2562

Rev. No. : 5

Form No. 02-3S

Page 12 of 32

1c.13 Marking

PEA's code number and word "SHORT CIRCUIT WITHSTAND" shall be painted, in orange, on the transformer tank (for transformer having no conservator) or on the conservator tank (for transformer having conservator) at the position that enables a clear observation, and also be legibly and durably inscribed on the metal part of nameplate. The code number and dimensions of each letter to be marked shall be given by PEA after the final of bid consideration.

1c.14 Accessories

The 50 kVA to 2,000 kVA transformers shall be furnished and equipped with the following accessories:

1. HV and LV bushings, with terminal connectors
2. Bird guard cap (bushing cover), ultra-violet and track resistant material, e.g. polypropylene, neoprene, etc; which is suitable for exposure to sunlight
3. Earthing terminal for surge arrester, with solderless clamp type connector suitable for flexible copper insulated ground lead size 16 mm^2 , 430 mm long. (See Drawing No. SA4-015/50008)
4. Tap changer
5. Thermometer pocket, transformers shall have a thermometer pocket to allow the measuring of the top-oil temperature. This pocket shall be placed as shown in the EN 50216-4 (type A1). The pocket shall be provided with a corrosion-proof cap. The thread shall be protected with silicone-grease. Dimensions of the thermometer pocket in mm are shown as **Figure 4**.

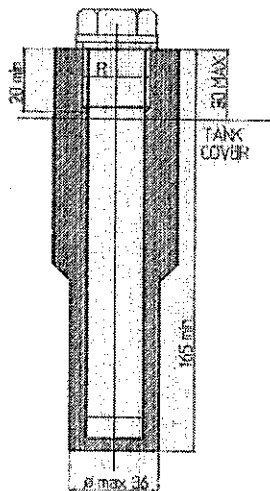


Figure 4 Dimensions of thermometer pockets

6. Nameplate with connection diagram
7. Oil drain valve with plug or cap, installed at the lower part of the tank
8. Sludge drain plug, installed at the bottom of the tank



การไฟฟ้าส่วนภูมิภาค
PROVINCIAL ELECTRICITY AUTHORITY

PROVINCIAL ELECTRICITY AUTHORITY

TECHNICAL SPECIFICATION DIVISION

THREE-PHASE TRANSFORMERS FOR 22 kV AND 33 kV 50 Hz DISTRIBUTION SYSTEMS WITH ABILITY TO WITHSTAND SHORT CIRCUIT

Specification No. RTRN-035/2561

Approved date : 30/05/2562

Rev. No. : 5

Form No. 02-3S

Page 13 of 32

9. Earthing terminal, with solderless clamp type connector suitable for steel stranded conductor diameter of 9.0 mm (size 50 mm²); complete with lockwasher of stainless steel or better.
10. Lifting lugs
11. Lifting eyes on the cover
12. Oil level gauge
13. Compression type cable lug, for aluminium conductor diameter of 7.5-9.0 mm (sizes 35-50 mm²), suitable for connecting between HV bushing and surge arrester lead conductor.
14. Only for 50 kVA to 250 kVA transformers: Pressure relief valve on the tank cover, oil filling plug on the tank cover, and supporting lugs for hanging the transformer tank to pole by using two (2) M16 machine bolts.
The lugs shall have 600 mm spacing; 500 mm or 400 mm spacing may be used when tank height will not permit the 600 mm dimension. (See Drawing No. SA4-015/50008)
Only for 315 to 500 kVA transformers: Pressure relief valve on the tank cover, and oil filling plug on the tank cover.
Only for 630 kVA to 2,000 kVA transformers: Pressure relief valve on the tank cover, oil conservator with dehydrating breather and oil level gauge. The cylinder of dehydrating breather shall be of transparent glass. The dehydrating breather shall be easy replaced and filled with silica-gel not less than 1.0 kg.
15. Only for 315 kVA to 2,000 kVA transformers: Transport rollers
16. Only for 1,000 kVA to 2,000 kVA transformers:
 - (a) Dial type thermometer with adjustable contact(s)
 - (b) Double float Buchholz relay having two (2) contacts (for alarm and tripping)
17. Other necessary accessories according to manufacturer's design.

1c.15 Initial oil filling

The transformers shall be supplied with initial oil filling. The oil shall be according to IEC 60296, high-quality, clean and dry.

The oil shall be free from Polychlorinated biphenyls (PCB).

1c.16 Nameplate

The following minimum nameplate information shall be legibly and durably inscribed on the metal part of nameplate:

- (1) Manufacturer's name
- (2) Manufacturer's serial number
- (3) Year of manufacture
- (4) PEA's code number



การไฟฟ้าส่วนภูมิภาค
PROVINCIAL ELECTRICITY AUTHORITY

PROVINCIAL ELECTRICITY AUTHORITY

TECHNICAL SPECIFICATION DIVISION

THREE-PHASE TRANSFORMERS FOR 22 kV AND 33 kV 50 Hz DISTRIBUTION SYSTEMS WITH ABILITY TO WITHSTAND SHORT CIRCUIT

Specification No. RTRN-035/2561

Approved date : 30/05/2562

Rev. No. : 5

Form No. 02-3S

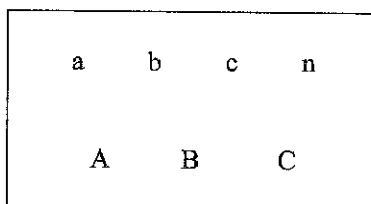
Page 14 of 32

- (5) Contract number and/or PO number
- (6) Number of phases
- (7) Rated frequency in Hz
- (8) Rated power in kVA
- (9) Rated voltage in V
- (10) Rated current in A
- (11) Rated secondary short-circuit withstand current in kA r.m.s.
- (12) Tapping voltages in V
- (13) Connection symbol
- (14) Short-circuit impedance in %
- (15) Connection diagram
- (16) Type of cooling
- (17) Oil quantity in liters
- (18) Drain oil quantity in liters (for permanently sealed type)
- (19) Total weight in kg
- (20) Wording "SHORT CIRCUIT WITHSTAND"
- (21) Material of HV and LV winding such as copper winding, cooper foil etc.

1c.17 Bushing location and terminal markings

Bushing shall locate as shown in the figures below:

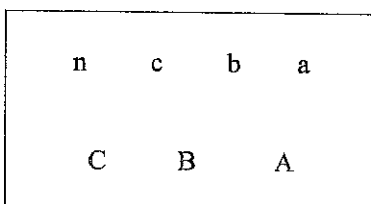
Low-Voltage Side



High-Voltage Side

Figure 5 50-250 kVA Tank top view

Low-Voltage Side



High-Voltage Side

Figure 6 315 -2,000 kVA Tank top view



การไฟฟ้าส่วนภูมิภาค
PROVINCIAL ELECTRICITY AUTHORITY

PROVINCIAL ELECTRICITY AUTHORITY

TECHNICAL SPECIFICATION DIVISION

THREE-PHASE TRANSFORMERS FOR 22 kV AND 33 kV 50 Hz DISTRIBUTION SYSTEMS WITH ABILITY TO WITHSTAND SHORT CIRCUIT

Specification No. RTRN-035/2561

Approved date : 30/05/2562

Rev. No. : 5

Form No. 02-3S

Page 15 of 32

The letters A, B, C, a, b, c, and n shall be durable marked on transformer tank beside bushings consequently. The height of the symbols shall not less than 30 mm.

Mark by sticker is not accepted.

1c.18 Mass

For 50 kVA to 160 kVA transformers: Mass of complete transformer with oil and accessories shall not be more than 1,000 kg.

For 250 kVA transformers: Mass of complete transformer with oil and accessories shall not be more than 1,200 kg.

Tolerance of the mass of proposed complete transformers with oil shall be within ± 5 percent of the declared mass of transformer which passed type test given by the bidders in 2a Performance data and guarantee of three-phase transformer (Page 28 of 32) but the maximum mass shall not exceed the above allowable mass.

If the mass of complete transformers with oil more than ± 5 percent of the declared mass or exceed the above allowable mass, the transformers shall be rejected.

1d Packing

For transformers manufactured outside the territories of Thailand, each transformer shall be seaworthy packed in individual export crate or wooden case which will not be returned.

For transformers manufactured within the territories of Thailand, each transformer shall be packed in individual crate or wooden case which will not be returned.

Only for 50 kVA to 160 kVA transformers for 22 kV systems and 50 kVA to 100 kVA transformers for 33 kV systems, each crate or wooden case shall be strong enough for stacking over with at least another one.

If the crate or wooden case is made of rubber wood (Yang-para), the wooden parts shall be treated with wood preservative.

The details of wood treatment shall be described.

1e Tests and test reports

1e.1 Routine test

Each transformer shall pass the manufacturer's standard routine tests, and also pass the following tests in accordance with the relevant standards:

- (1) Measurement of winding resistance (IEC 60076-1)
- (2) Measurement of voltage ratio and check of phase displacement (IEC 60076-1)
- (3) Measurement of short-circuit impedance and load loss (IEC 60076-1)
- (4) Measurement of no-load loss and current (IEC 60076-1)



การไฟฟ้าส่วนภูมิภาค
PROVINCIAL ELECTRICITY AUTHORITY

PROVINCIAL ELECTRICITY AUTHORITY

TECHNICAL SPECIFICATION DIVISION

THREE-PHASE TRANSFORMERS FOR 22 kV AND 33 kV 50 Hz DISTRIBUTION SYSTEMS WITH ABILITY TO WITHSTAND SHORT CIRCUIT

Specification No. RTRN-035/2561

Approved date : 30/05/2562

Rev. No. : 5

Form No. 02-3S

Page 16 of 32

- (5) Applied voltage test (IEC 60076-1 and IEC60076-3)
- (6) Induced voltage withstand test (IEC 60076-1 and IEC60076-3)

The Item offered without submitting the list of routine test report shall be rejected.

1e.2 Type test and Short-circuit withstand test

For transformers rating of 50 kVA to 250 kVA and the reference transformers

For transformers rating of 50 kVA to 250 kVA and the reference transformers, these transformers shall be passed all items of type test and short circuit withstand test according to **1e.2.2 Test procedure of Type test and Short-circuit withstand test**. The test result shall be included in one (1) test report. The test report shall be issued or approved by the same acknowledged independent testing laboratory according to **1e.3 Acknowledged independent testing laboratories**, otherwise will be rejected.

For the others rating which are not the reference transformers

The transformers shall be passed the following type tests in accordance with the relevant standards:

- (1) Temperature-rise test (IEC 60076-2)
- (2) Full wave lightning impulse test (IEC 60076-1 and IEC 60076-3)
- (3) Measurement of no-load loss and current at 90 % and 110 % of rated voltage (IEC 60076-1)

Type test shall be made on only one (1) unit of each rating. The test result shall be included in one (1) test report. The test report shall be issued or approved by the same acknowledged independent testing laboratory according to **1e.3 Acknowledged independent testing laboratories**, otherwise will be rejected.

1e.2.1 Short-circuit withstand test

The transformers shall be designed and constructed to withstand without damage by the thermal and dynamic effects of the external short circuit in accordance with the IEC 60076-5.

The duration of the current I to be used for the calculation of the thermal ability to withstand short circuit shall be 2 s and the initial temperature for calculation shall be 105°C.

Test procedure of short-circuit withstand test shall be according to **1e.2.2 Test procedure of Type test and Short-circuit withstand test**.

The total number of tests shall be three made in a different position of the tap-changer according to IEC 60076-5. The duration of each test shall be 0.5 s



การไฟฟ้าส่วนภูมิภาค
PROVINCIAL ELECTRICITY AUTHORITY

PROVINCIAL ELECTRICITY AUTHORITY

TECHNICAL SPECIFICATION DIVISION

THREE-PHASE TRANSFORMERS FOR 22 kV AND 33 kV 50 Hz DISTRIBUTION SYSTEMS WITH ABILITY TO WITHSTAND SHORT CIRCUIT

Specification No. RTRN-035/2561

Approved date : 30/05/2562

Rev. No. : 5

Form No. 02-3S

Page 17 of 32

1e.2.2 Test procedure of Type test and Short-circuit withstand test

Each transformer, as delineated by its own unique serial number, is required to pass a complete type test and short-circuit withstand test following the procedures listed below:

- (1) Prior to short circuit testing, each individual transformer must pass the routine test, measurement of no-load loss and current at 90 % and 110 % of rated voltage and temperature-rise tests. Criteria for the temperature-rise test is presented in 1c.8 "Limits of temperature-rise"
- (2) Upon successfully passing the temperature-rise test, each transformer must then successfully pass a short circuit withstand test
- (3) Finally, lightning impulse shall be tested and all the routine tests including measurement of no-load loss and current at 90 % and 110 % of rated voltage shall be repeated. Each transformer shall pass the routine test, measurement of no-load loss and current at 90 % and 110 % of rated voltage and lightning impulse test.

The impulse test sequence is applied to each of line terminal of the tested winding in succession.

The other line terminals of the transformer shall be earthed directly or through an impedance.

If the laboratories intend to use PEA's power system as power supply for the short-circuit withstand testing, the transformer's manufacturer or the laboratories shall submit technical documents of the test such as test procedure, test circuit diagram, test and protection equipment, testing date and calculation of voltage drop in PEA's power system caused by the test to PEA for consideration and approval before the tests are proceeded.

It is responsible of the laboratories to compensate all failure or damage occurred to PEA's power system caused by the test.

PEA reserves the right to send representatives to witness the test.

The cost of all tests and reports shall be borne by the bidders/manufacturers/contractor.

1e.2.3 Type test and short circuit test report

For 50 to 250 kVA transformers, the bidders have to submit the type test and short circuit test report of the identical transformer (purchased transformer) with the bid, otherwise shall be rejected

For transformers which rated power more than 250 kVA, the bidders have to submit the following document with the bid, otherwise shall be rejected.

- (1) The type test report of the identical transformer (purchased transformer), and
- (2) The short circuit test report of identical transformer (purchased transformer) or the reference transformer according to 1e.2.2 Test procedure of Type test and Short-circuit withstand test, and
- (3) The calculation report⁽¹⁾ and others information according to APPENDIX 1.

Note

- (1) In case of the bidders submit the short circuit test report of the reference transformer, calculation report and others information shall be submitted.



การไฟฟ้านครหลวง
PROVINCIAL ELECTRICITY AUTHORITY

PROVINCIAL ELECTRICITY AUTHORITY

TECHNICAL SPECIFICATION DIVISION

THREE-PHASE TRANSFORMERS FOR 22 kV AND 33 kV 50 Hz DISTRIBUTION SYSTEMS WITH ABILITY TO WITHSTAND SHORT CIRCUIT

Specification No. RTRN-035/2561

Approved date : 30/05/2562

Rev. No. : 5

Form No. 02-3S

Page 18 of 32

The type test and short-circuit withstand test report of the transformers which are conducted or inspected by Thailand's national laboratories/institutes shall be valid within five (5) years count from the issued date in the test reports to the bid closing date.

For the type test and short-circuit withstand test report of the transformers which are conducted or inspected by laboratories/institutes, with in other countries shall be valid within ten (10) years count from the issued date in the test reports to the bid closing date.

PEA will also accept other documents instead of the type test and short-circuit withstand test reports in the following conditions:

- (1) In case the proposed transformer has been supplied to PEA and get the order from PEA's Procurement Department or Substation Work Department or Transmission and Distribution System Work Department (from PEA's head office), the Purchase Order (PO) or Contract with List of suppliers or Proposal form can be submitted, or
- (2) In case the proposed transformer has been registered for PEA Product Acceptance, the not-expired registration certificate counted to the bid closing date can be submitted, or
- (3) In case the proposed transformer has been registered for Product lists for substation turnkey project, the not-expired registration certificate counted to the bid closing date can be submitted instead

However the document in case (1), (2) and (3) shall be proved that the transformer specified in the PO or Contract with List of suppliers or Proposal form or registration certificate shall be the same product, type/model and all ratings as the proposed transformer for this bid.

The cost of all tests and reports shall be borne by the bidders/manufacturers/contractor.

1e.3 Acknowledged independent testing laboratories

The type test and short-circuit withstand test shall be conducted or inspected by the acknowledged testing laboratories/institutes as follows:

- (1) Laboratories/institutes which are members of the Short-circuit Testing Liaison (STL) or independent laboratories/institutes which are accredited according to TIS 17025 or ISO/IEC 17025 with the scope of accreditation covered the relevant test items, standards and equipment. The certification and scope of accreditation of the independent laboratories/institutes shall be submitted with the bid for consideration.

The bidders or manufacturers who are accredited according to TIS 17025 or ISO/IEC 17025 preferring to carry out the type tests and short-circuit withstand test of the transformers with the laboratories or by the manufacturers themselves, the tests shall be inspected by Thailand's



การไฟฟ้านครหลวง
PROVINCIAL ELECTRICITY AUTHORITY

PROVINCIAL ELECTRICITY AUTHORITY

TECHNICAL SPECIFICATION DIVISION

THREE-PHASE TRANSFORMERS FOR 22 kV AND 33 kV 50 Hz DISTRIBUTION SYSTEMS WITH ABILITY TO WITHSTAND SHORT CIRCUIT

Specification No. RTRN-035/2561

Approved date : 30/05/2562

Rev. No. : 5

Form No. 02-3S

Page 19 of 32

national laboratories, institutes, universities and electric utilities in (2) and other laboratories, institutes, universities or electric utilities approved by PEA.

(2) Thailand's national laboratories, institutes, universities and electric utilities, as follow:

- Electricity Generating Authority of Thailand (EGAT)

(3) Other laboratories, institutes, universities or electric utilities approved by PEA. In this case, the detail of the test facilities of the laboratories shall be submitted to PEA for approval before proceeding the tests and before the bid closing date. PEA reserves the right to send representatives to inspect and witness the tests with the cost of the bidders or manufacturers.

1e.4 The information in the Test report

The minimum information of the transformer in the type test and short-circuit withstand test report shall be the following items:

1. Transformer information

- (1) Manufacturer's name
- (2) Model
- (3) Manufacturer's serial number
- (4) Number of phase
- (5) Rated voltage of the high-voltage winding
- (6) Rated voltage of the low-voltage winding
- (7) Rated voltage ratio
- (8) Rated frequency
- (9) Rated power
- (10) Rated current of the high-voltage winding
- (11) Rated current of the low-voltage winding
- (12) Short-circuit impedance at 75°C
- (13) Connection symbol
- (14) Cooling method
- (15) Total mass
- (16) Mass of core and winding
- (17) Oil quantity
- (18) Highest voltage for equipment applicable the high-voltage winding
- (19) Highest voltage for equipment applicable the low-voltage winding
- (20) Rated insulation level
- (21) Type of construction
- (22) High-voltage winding type and material



การไฟฟ้าส่วนภูมิภาค
PROVINCIAL ELECTRICITY AUTHORITY

PROVINCIAL ELECTRICITY AUTHORITY

TECHNICAL SPECIFICATION DIVISION

THREE-PHASE TRANSFORMERS FOR 22 kV AND 33 kV 50 Hz DISTRIBUTION SYSTEMS WITH ABILITY TO WITHSTAND SHORT CIRCUIT

Specification No. RTRN-035/2561

Approved date : 30/05/2562

Rev. No. : 5

Form No. 02-3S

Page 20 of 32

- (23) Low-voltage winding
- (24) Cross-section of the conductor in the high-voltage winding
- (25) Cross-section of the conductor in the low-voltage winding
- (26) Number of strands per turn of high voltage winding
- (27) Number of strands per turn of low voltage winding
- (28) Number of strands radially across the layer (for all turns) of high voltage winding
- (29) Number of strands radially across the layer (for all turns) of low voltage winding
- (30) Total number of turns per phase
- (31) Number of turns each tap

2. Drawing

- (1) Overall dimensions of transformer
- (2) Tank dimension
- (3) Drawing of cross section area of core
- (4) Drawing of active part
- (5) Drawing which show the core and coil information according to **Figure 7**

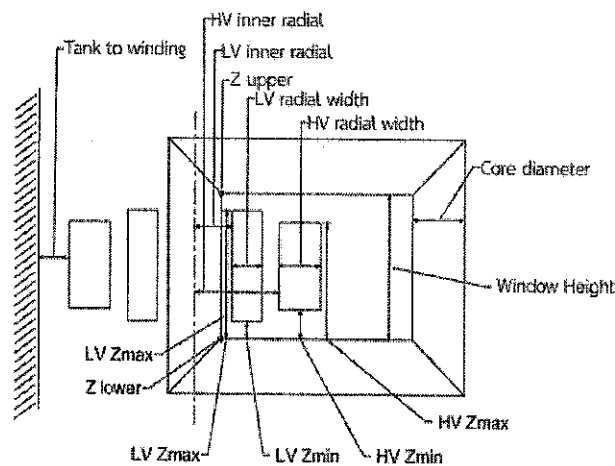


Figure 7: Core and coil constructions.

3. Photograph of transformers

The color photograph which reveal transformer construction for out-of-tank inspection before and after short-circuit withstand test shall be in the short-circuit withstand test report.

In case the information in the reports are not completed according to the above requirement, the bidders will be rejected.



การไฟฟ้าส่วนภูมิภาค
PROVINCIAL ELECTRICITY AUTHORITY

PROVINCIAL ELECTRICITY AUTHORITY

TECHNICAL SPECIFICATION DIVISION

THREE-PHASE TRANSFORMERS FOR 22 kV AND 33 kV 50 Hz DISTRIBUTION SYSTEMS WITH ABILITY TO WITHSTAND SHORT CIRCUIT

Specification No. RTRN-035/2561

Approved date : 30/05/2562

Rev. No. : 5

Form No. 02-3S

Page 21 of 32

1e.5 Acceptance test items and acceptance test procedures

1e.5.1 Acceptance test items

The sample of transformers shall pass the following tests in accordance with the IEC 60076 and IEC 60156 standards:

- (1) Measurement of winding resistance (IEC 60076-1)
- (2) Measurement of voltage ratio and check of phase displacement (IEC 60076-1)
- (3) Measurement of short-circuit impedance and load loss (IEC 60076-1)
- (4) Measurement of no-load loss and current (IEC 60076-1)
- (5) Applied voltage test (IEC 60076-1 and IEC60076-3)
- (6) Induced voltage withstand test (IEC 60076-1 and IEC60076-3)
- (7) Oil Dielectric Breakdown voltage test (IEC 60156)
- (8) Temperature-rise test (IEC 60076-2)⁽¹⁾
- (9) Full wave lightning impulse test (IEC 60076-3)⁽¹⁾
- (10) Short-circuit withstand test (IEC 60076-5)⁽²⁾ (only for transformer rating of 50-250 kVA)
- (11) Dry film thickness test, the dry film thickness test procedure shall be according to **1c.12.1**

Painting system

Note

⁽¹⁾ The Items (8) and (9) shall be tested on one (1) unit for each contract at the PEA laboratory or Acknowledged independent laboratories approved by PEA as specified in **1e.3 Acknowledged independent testing laboratories** or manufacturer laboratories depending on PEA's acceptance committee

⁽²⁾ The Items (10) shall be tested on one (1) unit for each contract at Acknowledged Independent laboratories depend on PEA's acceptance committee approved by PEA as specified in **1e.3 Acknowledged independent testing laboratories**.

Any transformers which are out-of-tank for inspection in short-circuit withstand test, the insulating oil shall be dehydration at manufacture's factory and oil dielectric breakdown voltage shall be retested. The report of oil dielectric breakdown voltage test shall be submitted to PEA before shipment/delivery, for each ordered transformer.

1e.5.2 Acceptance test procedures

PEA's acceptance committee will select the sample of each lot, the number of transformer per lot according to **Table 10**. All sampling units shall be transported to PEA laboratory or Acknowledged independent laboratories for testing according to **1e.5.1 Acceptance test items**. The transportation shall be carried out by the contractor.



การไฟฟ้าส่วนภูมิภาค
PROVINCIAL ELECTRICITY AUTHORITY

PROVINCIAL ELECTRICITY AUTHORITY

TECHNICAL SPECIFICATION DIVISION

THREE-PHASE TRANSFORMERS FOR 22 kV AND 33 kV 50 Hz DISTRIBUTION SYSTEMS WITH ABILITY TO WITHSTAND SHORT CIRCUIT

Specification No. RTRN-035/2561

Approved date : 30/05/2562

Rev. No. : 5

Form No. 02-3S

Page 22 of 32

Table 10 The number of sample and criteria for consideration

Number of transformer per lot (Unit)	Sample size of transformers for acceptance test (Unit)	Maximum number of sample failing in the acceptance test (Unit)
2 to 15	2	0
16 to 25	3	0
26 to 90	5	0
91 to 150	8	0
151 to 500	13	1
More than 500	20	1

The number of failing units shall not more than the maximum number of failing sample in the acceptance test according to **Table 10**. Otherwise, the transformers in that lot shall be rejected.

In case the failing units are not more than the maximum number of failing sample in the acceptance test according to **Table 10**, the contractor has to take responsibility as following procedure.

- (1) The contractor has to recheck all delivered transformers in that lot and repair or fix the defective transformers in that lot.
- (2) The contractor shall analyze the problem and send the report to PEA's acceptance committee before the lot accepted.
- (3) The transformers which are repaired or fixed in that lot shall be retested only in the relevant test items according to **1e.5.1 Acceptance test items**.

After the test, the transformers shall be rebuilt completely by the contractor with free of charge and send back to PEA with the same amount of the samples.

1f Inspection

To ensure about the quality of transformers, the inspection shall be carried out by the PEA's representative (PEA's witness committee) at following two stages:

- At anytime during receipt of raw material and manufacture/ assembly whenever the PEA desires.
- At finished stage i.e. transformers are fully assembled and are ready for dispatch.



การไฟฟ้าส่วนภูมิภาค
PROVINCIAL ELECTRICITY AUTHORITY

PROVINCIAL ELECTRICITY AUTHORITY

TECHNICAL SPECIFICATION DIVISION

THREE-PHASE TRANSFORMERS FOR 22 kV AND 33 kV 50 Hz DISTRIBUTION SYSTEMS WITH ABILITY TO WITHSTAND SHORT CIRCUIT

Specification No. RTRN-035/2561

Approved date : 30/05/2562

Rev. No. : 5

Form No. 02-3S

Page 23 of 32

C2 Material and packing data to be given by bidders

The bidders have to submit the following data and details of transformers and accessories with the bid:

2a Performance data and guarantee of three-phase transformers. (See pages 26 to 30 of 32)

2b Drawing of inside tank and overall transformer with dimensions in mm showing of particulars of normal construction details.

2c Drawings, with dimensions in mm, of the following accessories:

1. HV and LV bushings
2. Terminal connectors, on HV and LV bushings, with description of materials used for the component parts
3. Nameplate with connection diagram
4. Valve, showing the internal construction
5. Earthing terminal connector
6. Dehydrating breather, and details of coupling (if any)
7. Bracket for surge arrester
8. Earthing terminal for surge arrester
9. Lifting lug
10. Lifting eye
11. Pressure relief valve
12. Thermometer pocket
13. Oil level gauge
14. Oil filling plug
15. Supporting lugs
16. Compression type of cable lug
17. Sludge drain plug
18. Accessories according to manufacturer's design, if any

2d Catalogues and/or drawings with details of the following accessories:

1. Dial type thermometer
2. Double float Buchholz relay
3. Pressure-relief valve
4. Bird guard
5. Core
6. HV and LV Winding
7. Off load tap changer



การไฟฟ้านครหลวง
PROVINCIAL ELECTRICITY AUTHORITY

PROVINCIAL ELECTRICITY AUTHORITY

TECHNICAL SPECIFICATION DIVISION

THREE-PHASE TRANSFORMERS FOR 22 kV AND 33 kV 50 Hz DISTRIBUTION SYSTEMS WITH ABILITY TO WITHSTAND SHORT CIRCUIT

Specification No. RTRN-035/2561

Approved date : 30/05/2562

Rev. No. : 5

Form No. 02-3S

Page 24 of 32

- 8. Insulation paper
- 9. Gaskets
- 10. Oil drain vale
- 11. Accessories according to manufacturer's design, if any

- 2e **Dry film thickness test report**
- 2f **Type test and Short-circuit withstand test report**
- 2g **List of routine test**
- 2h **Drawing of core and coil construction**
- 2i **Specifications of transformer oil and test report**
- 2j **HV and LV Bushing test report**
- 2k **Others necessary information in order to show that the special test report can prove the performance of the proposed transformers.**
- 2l **Bidders shall propose and quote for recommended spare part list with separate price for each offered item (e.g., bushings)**
- 2m **Packing details**
 - Packing method (shown by drawing(s), and describe packing materials)
 - Number of transformers in one (1) crate or wooden case (one)
 - Overall dimensions (L x W x H) of each crate or wooden case in cm
 - Volume of each crate or wooden case in m³
 - Gross weight of each crate or wooden case in kg
 - Number of crates or wooden cases
- 2n **Critical documents of the transformers (See page 25 of 32)**
 - The lists of documents shall be fulfilled and submitted with the bid.



การไฟฟ้านครหลวง
PROVINCIAL ELECTRICITY AUTHORITY

PROVINCIAL ELECTRICITY AUTHORITY

TECHNICAL SPECIFICATION DIVISION

THREE-PHASE TRANSFORMERS FOR 22 kV AND 33 kV 50 Hz DISTRIBUTION SYSTEMS WITH ABILITY TO WITHSTAND SHORT CIRCUIT

Specification No. RTRN-035/2561

Approved date : 30/05/2562

Rev. No. : 5

Form No. 02-3S

Page 25 of 32

The Critical documents of the transformers

No.	Required documents	Proposed technical document	Reference document (Page/Item)
1	HV and LV Bushing test report	<input type="checkbox"/> Yes <input type="checkbox"/> No	
2	Dry film thickness test report	<input type="checkbox"/> Yes <input type="checkbox"/> No	
3	List of routine test report	<input type="checkbox"/> Yes <input type="checkbox"/> No	
4	<u>For 50-250 kVA and the reference transformer</u> Type test and Short-circuit withstand test report <u>For transformer more than 250 kVA and is not the reference transformer</u> Type test report and calculation report and accessories information, or	<input type="checkbox"/> Yes <input type="checkbox"/> No	
	The copy of previous Purchase Order (PO) or Contract with List of suppliers or Proposal form, or	<input type="checkbox"/> Yes <input type="checkbox"/> No	
	PEA Product Acceptance registration certificate, or	<input type="checkbox"/> Yes <input type="checkbox"/> No	
	Product lists registration certificate	<input type="checkbox"/> Yes <input type="checkbox"/> No	
5	The TIS 17025 or ISO/IEC 17025 certification and scope of accreditation of the independent laboratories/institutes (in case the independent laboratories/institutes are accredited according to TIS 17025 or ISO/IEC 17025)	<input type="checkbox"/> Yes <input type="checkbox"/> No	
6	Performance data and guarantee of the three-phase transformers. (pages 26 to 30 of 32)	<input type="checkbox"/> Yes <input type="checkbox"/> No	
7	Drawing of inside tank and overall transformer with dimensions in mm showing of particulars of normal construction details.	<input type="checkbox"/> Yes <input type="checkbox"/> No	
8	Drawings, with dimensions in mm according to 2c	<input type="checkbox"/> Yes <input type="checkbox"/> No	
9	Catalogues and/or drawings with details according to 2d	<input type="checkbox"/> Yes <input type="checkbox"/> No	
10	Drawing of core and coil construction according to 2h	<input type="checkbox"/> Yes <input type="checkbox"/> No	
11	Specifications of transformer oil and test report according to 2i	<input type="checkbox"/> Yes <input type="checkbox"/> No	
12	Packing detail(s) according to 2m	<input type="checkbox"/> Yes <input type="checkbox"/> No	

I The items offered without submitting the critical documents shall be rejected



การไฟฟ้าส่วนภูมิภาค
PROVINCIAL ELECTRICITY AUTHORITY

PROVINCIAL ELECTRICITY AUTHORITY

TECHNICAL SPECIFICATION DIVISION

THREE-PHASE TRANSFORMERS FOR 22 kV AND 33 kV 50 Hz DISTRIBUTION SYSTEMS WITH ABILITY TO WITHSTAND SHORT CIRCUIT

Specification No. RTRN-035/2561

Approved date : 30/05/2562

Rev. No. : 5

Form No. 02-3S

Page 26 of 32

ประกวดราคาอิเล็กทรอนิกส์เลขที่ : กฟภ.กจน.ป(มป)-003-2563

2a Performance data and guarantee of three-phase transformers

Item

Manufacturer's name and country of origin		
Type or model		
Applied standard		
Rated power	kVA	
Rated frequency	Hz	
Rated primary voltage	V	
Rated secondary voltage	V	
Connection symbol	Dyn11	
Type of oil preservation system	-	
Operation duty: continuous operation (Type DB)	Yes/No	
Max. temperature rise of winding (at full load)	K	
Max. temperature rise of top oil (at full load)	K	
Primary tapping: off-circuit condition	Yes/No	
Number of steps of primary tapping	Steps	
Per cent of rated voltage of each tapping	%	
No-load current & Tolerance	% & %	&
Short-circuit impedance at 75°C & Tolerance	% & %	&
Losses , for each transformer unit		
No-load loss plus positive tolerance	W	
Load loss, plus positive tolerance, at 75°C	W	
Efficiency in %, at 75°C and at load:		
- 1/2 of rated power and P.F. = 1.0	%	
- 1 of rated power and P.F. = 1.0	%	
Voltage regulation at P.F. = 1.0	%	



การไฟฟ้าส่วนภูมิภาค
PROVINCIAL ELECTRICITY AUTHORITY

PROVINCIAL ELECTRICITY AUTHORITY

TECHNICAL SPECIFICATION DIVISION

THREE-PHASE TRANSFORMERS FOR 22 kV AND 33 kV 50 Hz DISTRIBUTION SYSTEMS WITH ABILITY TO WITHSTAND SHORT CIRCUIT

Specification No. RTRN-035/2561

Approved date : 30/05/2562

Rev. No. : 5

Form No. 02-3S

Page 27 of 32

Item

Bushings		HV	LV
- Manufacturer's name	-		
- Country of origin	-		
- Applied standard	-		
- Rated current	A		
- Full-wave impulse withstand voltage, or BIL	kV, peak		
- Low-frequency dry 1-minute test voltage	kV, r.m.s.		
- Low-frequency wet 10-second test voltage	kV, r.m.s.		
- Protection class	-		
- Colour of glazing	-		
- Stud thread size, Metric	-		
Secondary neutral point is loaded with rated current	Yes/No		
Terminal connectors on HV and LV bushings			
- Manufacturer's name	-		
- For copper conductor diameter range (HV side)	mm		
- For aluminium conductor diameter range (HV side)	mm		
- For copper conductor diameter range (LV side)	mm		
- For aluminium conductor diameter range (LV side)	mm		
- Number of circuits, take-off (LV side)	Circuits		
- Terminal pads are according to PEA's Drawing No. SA4-015/47002	Yes/No		
Winding		HV	LV
- Manufacturer's name (the bidders have to quote not more than three (3) manufacturers)	-		
- Country of origin	-		
- Material: copper	Yes/No		
- Type of enamel or insulating material of wire	-		
- Size of wire			
- for HV side (diameter)	mm		
- for LV side (dimension)	mm x mm		
- Resistance per phase at 75°C	Ohm		



การไฟฟ้านครหลวง
PROVINCIAL ELECTRICITY AUTHORITY

PROVINCIAL ELECTRICITY AUTHORITY

TECHNICAL SPECIFICATION DIVISION

THREE-PHASE TRANSFORMERS FOR 22 kV AND 33 kV 50 Hz DISTRIBUTION SYSTEMS WITH ABILITY TO WITHSTAND SHORT CIRCUIT

Specification No. RTRN-035/2561

Approved date : 30/05/2562

Rev. No. : 5

Form No. 02-3S

Page 28 of 32

Item

- Full-wave impulse withstand voltage, or BIL	kV, peak	
- Power-frequency test voltage, 1 min	kV, r.m.s.	
- Construction of winding	-	
- Current density	A/mm ²	
- Number of layer per coil	-	
- Number of turns of each coil in tap No.3	Turns	
- Number of turns of each tapping position	Turns	
- Total turns of each coil	Turns	
Core		
- Manufacturer's name (the bidders have to quote not more than three (3) manufacturers)	-	
- Country of origin	-	
Pressure relief valve		
- Manufacturer's name	-	
- Country of origin	-	
- Type or model	-	
- Operating pressure	kg/cm ²	
- Flow rate at..... kg/cm ²	cc/sec	
Method of cooling	-	
Total cooling surface	m ²	
Brand of oil used for initial filling	-	
Completely assembled transformer shall withstand, without permanent deformation, a maximum pressure of	kg/cm ²	
Colour of tank: grey (RAL 7036)	Yes/No	
Tank finish conforms to PEA's requirement	Yes/No	
Quantity of oil filling	liters	
Mass of core	kg	
Mass of winding	kg	
Mass of the part liftable from tank	kg	
Mass of complete transformer with oil	kg	
Terminal markings and connections conform to PEA's requirement	Yes/No	



การไฟฟ้าส่วนภูมิภาค
PROVINCIAL ELECTRICITY AUTHORITY

PROVINCIAL ELECTRICITY AUTHORITY

TECHNICAL SPECIFICATION DIVISION

THREE-PHASE TRANSFORMERS FOR 22 kV AND 33 kV 50 Hz DISTRIBUTION SYSTEMS WITH ABILITY TO WITHSTAND SHORT CIRCUIT

Specification No. RTRN-035/2561

Approved date : 30/05/2562

Rev. No. : 5

Form No. 02-3S

Page 29 of 32

Item

Tank - Thickness of side wall - Thickness of top plate - Thickness of bottom plate Internal dimensions - Height - Width - Depth	 	
Dimensions of transformer Overall height Overall width Overall depth Height over cover	 	
Total dry film thickness	 	
Fin - Fin radiators or Corrugated thickness - Dimension of each fin (LxBxT) Number of Fins per radiator - Side of tank - Front of tank - Total number of fin	 	
Bushing clearance Please fill in the shortest of clearance LV to earth HV to earth Between LV bushing Between HV bushing	 	
Detail documents of Item 1 on Page 28 of 29 shall be sent to PEA before shipment/delivery	 	Yes/No



การไฟฟ้าส่วนภูมิภาค
PROVINCIAL ELECTRICITY AUTHORITY

PROVINCIAL ELECTRICITY AUTHORITY

TECHNICAL SPECIFICATION DIVISION

THREE-PHASE TRANSFORMERS FOR 22 kV AND 33 kV 50 Hz DISTRIBUTION SYSTEMS WITH ABILITY TO WITHSTAND SHORT CIRCUIT

Specification No. RTRN-035/2561

Approved date : 30/05/2562

Rev. No. : 5

Form No. 02-3S

Page 30 of 32

Item

X/R ratio	-	
Rated short circuit current and withstanding duration		
- Current	kA	
- Duration	s	
Duration of overload		
- 25% overload	Minutes	
- 50% overload	Minutes	
Magnetic flux density	Tesla	
Other :		



การไฟฟ้าส่วนภูมิภาค
PROVINCIAL ELECTRICITY AUTHORITY

PROVINCIAL ELECTRICITY AUTHORITY

TECHNICAL SPECIFICATION DIVISION

THREE-PHASE TRANSFORMERS FOR 22 kV AND 33 kV 50 Hz DISTRIBUTION SYSTEMS WITH ABILITY TO WITHSTAND SHORT CIRCUIT

Specification No. RTRN-035/2561

Approved date : 30/05/2562

Rev. No. : 5

Form No. 02-3S

Page 31 of 32

Note: Conditions for documentation and consideration

1. The Contractor has to supply the following documents in English and/or Thai, before shipment/delivery, for each ordered transformer:

1.1 Report of routine tests

1.2 Number of turns of each winding, each coil, and each tapping position

1.3 Mass of HV windings and of LV windings

1.4 Type of enamel, temperature class, and size of the enameled wire

1.5 Information for Reference (only one(1) unit per contract). The following information for each transformer shall be submitted for maintenance purpose.

- Coil height for each winding before assembly and after complete assembly.
- Torque value on clamping bolts or pressure for each winding before assembly and after complete assembly.
- Photograph of each coil for each phase and photograph of core and coils assembly. The photograph of each coil shall be taken from the final production process before placing to the core, top view and front view shall be provided. The photograph of core and coils assembly shall be taken just prior to place the completed core and coils assembly into the tank, top view, front view, right view, left view and rear view shall be provided for complete set of photographs. All photographs shall be 216 mm (8-1/2 in) by 280 mm (11 in) gloss prints properly labeled relevant to the view taken.

1.6 Invoice and Test report of the following material and accessories used in each supply shall be submitted.

- Transformer oil
- Silicon steel
- Copper conductor
- Insulation paper and pressboard
- Pressure relief
- Gaskets
- Bushing
- Transformer supervisory equipment



การไฟฟ้าส่วนภูมิภาค
PROVINCIAL ELECTRICITY AUTHORITY

PROVINCIAL ELECTRICITY AUTHORITY

TECHNICAL SPECIFICATION DIVISION

THREE-PHASE TRANSFORMERS FOR 22 kV AND 33 kV 50 Hz DISTRIBUTION SYSTEMS WITH ABILITY TO WITHSTAND SHORT CIRCUIT

Specification No. RTRN-035/2561

Approved date : 30/05/2562

Rev. No. : 5

Form No. 02-3S

Page 32 of 32

The above documents shall be sent to the following address:

Transformer Division
Provincial Electricity Authority
200 Ngam Wong Wan Road, Chatuchak
Bangkok Metropolis 10900
Thailand

2. If the material and packing data given by bidders, which are mentioned on Pages 23 to 24 of 32 are estimated or approximated, the bid may be rejected.
3. Delivery time is also one of the important factors to be considered.
4. Partial shipment/delivery is allowed.



การไฟฟ้าส่วนภูมิภาค
PROVINCIAL ELECTRICITY AUTHORITY

PROVINCIAL ELECTRICITY AUTHORITY

TECHNICAL SPECIFICATION DIVISION

THREE-PHASE TRANSFORMERS FOR 22 kV AND 33 kV 50 Hz DISTRIBUTION SYSTEMS WITH ABILITY TO WITHSTAND SHORT CIRCUIT

Specification No. RTRN-035/2561

Approved date : 11/01/2562

Rev. No. : 5

Form No. 02-3S

Page 1 of 3

APPENDIX 1

Comparison Method

In case the ability to withstand the dynamic short circuit is demonstrated by comparison between the reference transformer and similar transformer. In this case the bidders have to submit the short circuit test report of the reference transformer, calculation report of short circuit force which using Finite Element Method (FEM) software, all necessary information according to **Table 1** Design data of the reference transformers and the proposed transformers as well as the necessary information in order to show that the short-circuit withstand test report can prove the performance of the proposed transformers with the bid.

The short circuit test procedure of the reference transformer shall be according to **1e.2.2 Test procedure of Type test and Short-circuit withstand test**.

For the ability to withstand the dynamic effects of short circuit test, the total number of tests shall be three made in a different position of the tap-changer according to IEC 60076-5. The duration of each test shall be 0.5 s

The transformer is considered similar or representative to another transformer (proposed transformers) taken as a reference if it has the following characteristics in common with the latter:

- (1) Same type of operation, for example generator step-up unit, distribution, interconnection transformer and same rated voltage according to **Table 2**;
- (2) Same conceptual design, for example dry-type, oil-immersed type, core type with concentric windings, sandwich type, shell type, circular coils, non-circular coils;
- (3) Same arrangement and geometrical sequence of the main windings;
- (4) Same type of winding conductors, for example, aluminium, aluminium alloy, annealed or hardened copper, metal foil, wire, flat conductor, continuously transposed conductors and epoxy bonding, if used;
- (5) Same type of main windings for example, helical-, disc-, layer-type, pancake coils;
- (6) Absorbed power at short circuit (rated power/per unit short-circuit impedance) between 30% and 130% of that relating to the reference unit, see **Table 3**;
- (7) Axial forces, radial forces, axial winding stresses and radial winding stresses occurring at short circuit not exceeding 120% of those in the reference unit. (Force shall be calculated by Finite element program such as FLD12 etc., Hand calculation shall be rejected)
- (8) Same manufacturing processes;
- (9) Same clamping and winding support arrangement.

In case the comparison method, the short-circuit withstand test report of the reference transformer and a calculation report as a result of the comparison between the reference transformer and proposed transformer shall be submitted with the bid. The calculation report shall give evidence the force and stress according to item (7) and all necessary information according to item (1) to (9).



การไฟฟ้าส่วนภูมิภาค
PROVINCIAL ELECTRICITY AUTHORITY

PROVINCIAL ELECTRICITY AUTHORITY

TECHNICAL SPECIFICATION DIVISION

THREE-PHASE TRANSFORMERS FOR 22 kV AND 33 kV 50 Hz DISTRIBUTION SYSTEMS WITH ABILITY TO WITHSTAND SHORT CIRCUIT

Specification No. RTRN-035/2561

Approved date : 11/01/2562

Rev. No. : 5

Form No. 02-3S

Page 2 of 3

Table 1

Type of operation and rated voltage of the proposed transformers similar to the reference transformers

Type and Rated voltage	The reference transformer	The proposed transformers
Type	3 Phase only	3 Phase
Rated primary voltage	22 kV	22 kV
Rated primary voltage	33 kV	33 kV
Rated secondary voltage (3 phase)	416/240 V	416/240 V

Table 2

Rated power of the proposed transformers similar to the reference transformers

	Rated power (kVA) of the reference transformers	Rated power (kVA) of the proposed transformers									
		315	400	500 ⁽¹⁾	630	800	1,000	1,250	1,500	2,000	
1	250	315		500 ⁽¹⁾							
2	315	315	400	500 ⁽¹⁾							
3	400	315	400	500 ⁽¹⁾							
4	500 ⁽¹⁾	315	400	500 ⁽¹⁾							
5	630	315	400	500 ⁽¹⁾	630	800	1,000				
6	800	315	400	500 ⁽¹⁾	630	800	1,000	1,250			
7	1,000	315	400	500 ⁽¹⁾	630	800	1,000	1,250			
8	1,250	315	400	500 ⁽¹⁾	630	800	1,000	1,250	1,500		
9	1,500	315	400	500 ⁽¹⁾	630	800	1,000	1,250	1,500		
10	2,000		400		630	800	1,000	1,250	1,500	2,000	

Note :

- ⁽¹⁾ Based on 6.5% short-circuit impedance. In case the impedance of 500 kVA transformer more than 6.5%, the bidders shall recalculate this table for PEA approval.



การไฟฟ้าส่วนภูมิภาค
PROVINCIAL ELECTRICITY AUTHORITY

PROVINCIAL ELECTRICITY AUTHORITY

TECHNICAL SPECIFICATION DIVISION

THREE-PHASE TRANSFORMERS FOR 22 kV AND 33 kV 50 Hz DISTRIBUTION SYSTEMS WITH ABILITY TO WITHSTAND SHORT CIRCUIT

Specification No. RTRN-035/2561

Approved date : 11/01/2562

Rev. No. : 5

Form No. 02-3S

Page 3 of 3

Table 3

Design data of the reference transformers and the proposed transformers

Description	Design value of the reference transformers		Design value of the proposed transformers	
Rating (kVA)				
% Short circuit impedance				
Construction of Core				
HV Windings, made of				
LV Windings, made of				
Construction of HV Windings (Layer or disk)				
Construction of LV Windings (Layer or Foil)				
HV Current density (please enclosed the calculation sheet)				
LV Current density (please enclosed the calculation sheet)				
Axial force (please enclosed software calculation sheet)	<u>HV</u>	<u>LV</u>	<u>HV</u>	<u>LV</u>
Axial stress (please enclosed software calculation sheet)	<u>HV</u>	<u>LV</u>	<u>HV</u>	<u>LV</u>
Radial force (please enclosed software calculation sheet)	<u>HV</u>	<u>LV</u>	<u>HV</u>	<u>LV</u>
Radial stress (please enclosed software calculation sheet)	<u>HV</u>	<u>LV</u>	<u>HV</u>	<u>LV</u>
Same arrangement of main windings and geometrical sequence as the reference unit (Yes/No) (please enclosed the winding detail drawing)				
Same clamping and supporting arrangement. (Yes/No) (please enclosed the clamping detail drawing)				



การไฟฟ้านครหลวง
PROVINCIAL ELECTRICITY AUTHORITY

PROVINCIAL ELECTRICITY AUTHORITY

TECHNICAL SPECIFICATION DIVISION

THREE-PHASE TRANSFORMERS FOR 22 kV AND 33 kV 50 Hz DISTRIBUTION SYSTEMS

WITH ABILITY TO WITHSTAND SHORT CIRCUIT

Specification No. RTRN-035/2561

Approved date : 16/12/2562

Rev. No. : 0

Form No.

Page 1 of 1

เอกสารเพิ่มเติมแนบท้ายรายละเอียดสเปค (ADDENDUM)

เอกสารเพิ่มเติมแนบท้ายรายละเอียดสเปค (ADDENDUM) นี้ให้ถือเป็นส่วนหนึ่งของสเปคอ้างอิงเลขที่ RTRN-035/2561

การทดสอบ Lightning Impulse test

กำหนดรายละเอียดการทดสอบ lightning impulse test เพิ่มเติมในหัวข้อ 1e.2.2 Test procedure of Type test and Short-circuit withstand test ข้อ (3) และ 1 e.5 Acceptance test items and acceptance test procedures ดังต่อไปนี้

(1) Test connections

For the lightning impulse test on the LV windings ($U_m \leq 1.1$ kV), PEA will accept test connections as the following:

CASE 1:

The impulse test sequence is applied to each of line terminals of the tested winding in succession. The other line terminals of the transformer shall be earthed directly or through an impedance, or

CASE 2:

The impulse test is applied to all the LV terminals (including the LV neutral) connected together with the higher voltage terminals earthed.

(2) Test voltage

The standard lightning-impulse voltage and tolerances shall be in accordance with the IEC 60060-1 as the table below:

Description	HV	LV
Test voltage value	125 kV, peak $\pm 3\%$ (for 22 kV system) 170 kV, peak $\pm 3\%$ (for 33 kV system)	30 kV, peak $\pm 3\%$
Front time	1.2 μ s $\pm 30\%$	
Time to half-value	50 μ s $\pm 20\%$	
Relative overshoot magnitude	not exceed 10 %	

The minimum information on the waveshape in the test report shall consist of test voltage, front time (T1), time to half-value (T2) and overshoot.

**หลักเกณฑ์การใช้เกณฑ์ราคาประกอบเกณฑ์อื่นในการจัดซื้อจัดจ้างของการไฟฟ้าส่วนภูมิภาค
พ.ศ. 2561**

ตามพระราชบัญญัติการจัดซื้อจัดจ้าง และการบริหารพัสดุภาครัฐ พ.ศ. 2560 มาตรา 65 กำหนดให้การพิจารณาคัดเลือกข้อเสนอในการจัดซื้อจัดจ้างโดยวิธีประกาศเชิญชวนทั่วไป ให้หน่วยงานของรัฐ ดำเนินการโดยพิจารณาถึงประโยชน์ของหน่วยงานของรัฐ และวัตถุประสงค์ของการใช้งานเป็นสำคัญ โดยให้ คำนึงถึงเกณฑ์ราคา และพิจารณาเกณฑ์อื่นประกอบด้วย ดังต่อไปนี้

- (1) ต้นทุนของพัสดุนั้นตลอดอายุการใช้งาน
- (2) มาตรฐานของสินค้าหรือบริการ
- (3) บริการหลังการขาย
- (4) พักตร์ที่รัฐต้องการส่งเสริมหรือสนับสนุน
- (5) การประเมินผลการปฏิบัติงานของผู้ประกอบการ
- (6) ข้อเสนอด้านเทคนิค หรือข้อเสนออื่น ในกรณีที่กำหนดให้มีการยื่นข้อเสนอด้านเทคนิค หรือข้อเสนออื่นก่อน
- (7) เกณฑ์อื่นตามที่กำหนดในกฎกระทรวง

ดังนั้น เพื่อให้การดำเนินการในการจัดซื้อจัดจ้างของการไฟฟ้าส่วนภูมิภาคมีประสิทธิภาพ และเป็นไปตามพระราชบัญญัติการจัดซื้อจัดจ้าง และการบริหารพัสดุภาครัฐ พ.ศ. 2560 มาตรา 65 ดังกล่าว จึงกำหนดหลักเกณฑ์การใช้เกณฑ์ราคาประกอบเกณฑ์อื่นในการจัดซื้อจัดจ้างของการไฟฟ้าส่วนภูมิภาค ดังนี้

ข้อ 1 ประเภทพัสดุที่ใช้เกณฑ์ราคาประกอบเกณฑ์อื่นในการจัดซื้อจัดจ้าง และสัดส่วน การคิดคะแนนระหว่างเกณฑ์ราคาและเกณฑ์อื่น

พัสดุที่การไฟฟ้าส่วนภูมิภาคจัดซื้อจัดจ้างแบ่งตามความสำคัญต่อระบบไฟฟ้าได้ ออกเป็น 3 กลุ่ม ได้แก่

กลุ่มที่ 1 พักตร์ที่มีความสำคัญต่อระบบไฟฟ้าสูง ได้แก่ พักตร์ที่ติดตั้งใช้งานแล้ว หากพัสดุดังกล่าวเกิดการชำรุด จะกระทบต่อการสูญเสียรายได้โดยตรง หรือมีมูลค่าความเสียหายมากส่งผลกระทบต่อ ความมั่นคงและความเชื่อถือได้ของระบบไฟฟ้าสูง เช่นทำให้เกิดไฟฟ้าดับเป็นบริเวณกว้าง หรือเป็นเวลานาน และใช้เวลาในการซ่อม หรือเปลี่ยนเป็นเวลานาน เป็นต้น

กลุ่มที่ 2 พักตร์ที่มีความสำคัญต่อระบบไฟฟ้าปานกลาง ได้แก่ พักตร์ที่ติดตั้งใช้งานแล้ว หากพัสดุดังกล่าวเกิดการชำรุด จะส่งผลกระทบต่อความมั่นคงและความเชื่อถือได้ของระบบไฟฟ้าปานกลาง เช่นทำให้เกิดไฟฟ้าดับเฉพาะบางพื้นที่เป็นระยะเวลาสั้นๆ เป็นต้น

กลุ่มที่ 3 พักตร์ที่มีความสำคัญต่อระบบไฟฟ้าน้อย ได้แก่ พักตร์ที่ติดตั้งใช้งานแล้ว หากพัสดุดังกล่าวเกิดการชำรุด จะส่งผลกระทบต่อความมั่นคงและความเชื่อถือได้ของระบบไฟฟ้าน้อย

โดยพัสดุแต่ละรายการที่การไฟฟ้าส่วนภูมิภาคจัดซื้อจัดจ้างแบ่งตามกลุ่มพัสดุดังกล่าว ได้ตามเอกสารแนบท้ายหลักเกณฑ์นี้ ซึ่งมีสัดส่วนการคิดคะแนนระหว่างเกณฑ์ราคา และเกณฑ์อื่น สำหรับ พักตร์แต่ละกลุ่มดังกล่าวข้างต้นเป็นดัง ตารางที่ 1

ตารางที่ 1

สัดส่วนการคิดคะแนนระหว่างด้านเกณฑ์ราคาและเกณฑ์ด้านประสิทธิภาพ สำหรับพัสดุแต่ละกลุ่ม

พัสดุ	สัดส่วนการคิดคะแนนระหว่างเกณฑ์ราคา และเกณฑ์ประสิทธิภาพ		คะแนนรวม (%)
	เกณฑ์ด้านราคา (%)	เกณฑ์ด้านประสิทธิภาพ (%)	
กลุ่มที่ 1	40	60	100
กลุ่มที่ 2	60	40	100
กลุ่มที่ 3	80	20	100

ข้อ 2 รายละเอียดเกณฑ์อื่นที่ใช้ประกอบเกณฑ์ราคา

ข้อ 2.1 เกณฑ์ด้านเทคนิคบังคับ

เกณฑ์ด้านเทคนิคบังคับ ที่การไฟฟ้าส่วนภูมิภาคใช้ประกอบในการพิจารณาจัดซื้อจัดจ้างพัสดุตามพระราชบัญญัติการจัดซื้อจัดจ้าง และการบริหารพัสดุภาครัฐ พ.ศ. 2560 ประกอบด้วย

(1) ผลิตภัณฑ์ที่เสนอต้องเป็นไปตามข้อกำหนดทางเทคนิคของ กฟผ.

(2) ผลิตภัณฑ์ที่เสนอต้องผลิตจากโรงงานที่ได้รับรองระบบคุณภาพของกระบวนการผลิต ตามมาตรฐาน ISO 9001

หากผลิตภัณฑ์ที่เสนอไม่ผ่านเกณฑ์ด้านเทคนิคบังคับข้อใดข้อหนึ่ง การไฟฟ้าส่วนภูมิภาคจะพิจารณาไม่จัดซื้อ โดยไม่พิจารณาให้คะแนนทั้งด้านราคาและด้านประสิทธิภาพ

ข้อ 2.2 เกณฑ์ด้านประสิทธิภาพ

เกณฑ์ด้านประสิทธิภาพ ที่การไฟฟ้าส่วนภูมิภาคใช้ประกอบในการพิจารณาจัดซื้อจัดจ้างพัสดุตามพระราชบัญญัติการจัดซื้อจัดจ้าง และการบริหารพัสดุภาครัฐ พ.ศ. 2560 ประกอบด้วย

(1) ข้อมูลการชำรุดย้อนหลังอ้างอิงจากข้อมูลการชำรุดรายผลิตภัณฑ์จากฐานข้อมูลที่มีการไฟฟ้าส่วนภูมิภาคได้จัดทำไว้ เป็นระยะเวลาย้อนหลัง 3 ปีปฏิทิน (เช่น การจัดซื้อจัดจ้างพัสดุในปี 2561 จะใช้ข้อมูลการชำรุดปี 2560, 2559 และปี 2558 มาคิดเป็นคะแนน) โดยคิดเป็นร้อยละตามสมการความสัมพันธ์ ดังนี้

$$\text{ร้อยละการชำรุด} = \frac{\text{จำนวนการชำรุด (3 ปีย้อนหลัง)}}{\text{จำนวนจัดซื้อมาใช้งาน (3 ปีย้อนหลัง)}}$$

(2) เป็นผลิตภัณฑ์ที่ได้รับใบอนุญาตแสดงเครื่องหมายมาตรฐานผลิตภัณฑ์อุตสาหกรรม หรือได้รับการจดทะเบียนกับกระทรวงอุตสาหกรรม

(3) เป็นผลิตภัณฑ์ที่ได้รับการรับรองมาตรฐานฉลากเขียว (Green Label) หรือเป็นผลิตภัณฑ์ที่ผลิตจากโรงงานที่ได้รับการรับรองระบบการจัดการสิ่งแวดล้อมมาตรฐาน ISO 14001

(4) เป็นผลิตภัณฑ์ที่ผลิตจากโรงงานที่ได้รับการรับรองความสามารถห้องปฏิบัติการทดสอบ มาตรฐาน ISO/IEC 17025 ครอบคลุมทุกหัวข้อการทดสอบประจำที่การไฟฟ้าส่วนภูมิภาคกำหนดไว้ในเอกสารแนบท้ายหลักเกณฑ์นี้เป็นรายอุปกรณ์ หรือเป็นผลิตภัณฑ์ที่ผลิตโดยโรงงานที่ได้รับการรับรองกระบวนการทดสอบประจำ หรือได้รับการรับรองหน่วยทดสอบเครือข่ายจากการไฟฟ้าส่วนภูมิภาค

(5) เป็นผลิตภัณฑ์...

(5) เป็นผลิตภัณฑ์ที่ได้รับการขึ้นทะเบียนกับการไฟฟ้าส่วนภูมิภาค (PEA Product Acceptance หรือ Product Lists สำหรับงานจ้างหมากก่อสร้างสถานีไฟฟ้า) หรือกระบวนการรับรองอื่นที่การไฟฟ้าส่วนภูมิภาคได้กำหนดขึ้น

ทั้งนี้ การเลือกใช้เกณฑ์อื่น และสัดส่วนการคิดคะแนนกับพัสดุแต่ละรายการนั้นให้เป็นไปตามเอกสารแนบท้ายหลักเกณฑ์นี้

ข้อ 3 วิธีการคำนวณคะแนน และตัวอย่างการคำนวณคะแนน

ผู้ที่ได้รับการพิจารณาคัดเลือก คือ ผู้ที่ได้รับคะแนนรวมสูงสุด (ผลรวมของคะแนนเกณฑ์ราคา และคะแนนเกณฑ์ประสิทธิภาพ) โดยการคำนวณการคิดคะแนนเกณฑ์ราคา ตามสมการความสัมพันธ์ดังนี้

$$\text{ร้อยละด้านราคาที่ได้} = \text{ร้อยละด้านราคาเต็ม} - \left\{ \frac{(\text{ราคาที่เสนอ} - \text{ราคาที่เสนอต่ำสุด}) \times \text{ร้อยละด้านราคาเต็ม}}{\text{ราคาที่เสนอต่ำสุด}} \right\}$$

หมายเหตุ : การคิดคะแนนเกณฑ์ราคา ให้ยึดถือตามระบบที่กรมบัญชีกลางได้กำหนดขึ้น

ตัวอย่างการคำนวณคะแนนของการใช้เกณฑ์ราคา ประกอบเกณฑ์อื่นในการจัดซื้อจัดจ้างของการไฟฟ้าส่วนภูมิภาค

กำหนดให้

- มีผู้เสนอราคาทั้งหมด 5 ผลิตภัณฑ์ (ทั้งหมดผ่านการพิจารณาด้านเทคนิค)
- สัดส่วนการคิดคะแนนระหว่างเกณฑ์ด้านราคา และเกณฑ์ด้านประสิทธิภาพเป็น 40 : 60
- ทั้ง 5 รายได้รับคะแนนเกณฑ์อื่นตามระบุในตารางที่ 2

ตารางที่ 2

ตัวอย่างการคำนวณคะแนนในการใช้เกณฑ์ด้านราคา และเกณฑ์ด้านประสิทธิภาพ

ผลิตภัณฑ์	ราคาที่เสนอ (บาท)	เกณฑ์ด้านราคา (40%)	เกณฑ์ด้าน ประสิทธิภาพ (60%)	คะแนนรวม (%)
A	110	25	55	80
B	80	40	30	70
C	95	32.5	50	82.5
D	100	30	45	75
E	105	27.5	45	72.5

หมายเหตุ: คะแนนเกณฑ์ด้านราคาคำนวณได้จากสมการความสัมพันธ์ตามข้อ 3

จากตารางที่ 2 ตัวอย่างการคำนวณคะแนนในการใช้เกณฑ์ด้านราคา ประกอบเกณฑ์อื่น (เกณฑ์ด้านราคา 40% และเกณฑ์ด้านประสิทธิภาพ (60%) ผลิตภัณฑ์ที่ได้รับการพิจารณาคัดเลือกคือ ผลิตภัณฑ์ C

เอกสารแนบท้าย
หลักเกณฑ์การใช้เกณฑ์ราคาประกอบเกณฑ์อื่นในการจัดซื้อจัดจ้างของการไฟฟ้าส่วนภูมิภาค
พ.ศ. 2561

หม้อแปลงไฟฟ้าสำหรับระบบจำหน่าย

คิดคะแนนจากเกณฑ์ราคาร้อยละ 40 และเกณฑ์ประสิทธิภาพร้อยละ 60

เกณฑ์ประสิทธิภาพ (60%)	คะแนน
1. ประวัติการใช้งานในระยะ 3 ปีย้อนหลัง (ต้องมีประวัติซื้ออย่างน้อย 1 ปี ภายใน 3 ปี, หากภายใน 3 ปี ไม่มีการจัดซื้อเลยถือว่าได้เพียง 3 คะแนน เนื่องจากยังไม่มีการซื้อ) แบ่งเป็น ¹⁾	15
- ไม่พบปัญหาการใช้งาน.....	15
- พบการชำรุดแต่ไม่เกิน 0.5%.....	12
- พบการชำรุดแต่ไม่เกิน 1.0%.....	9
- พบการชำรุดแต่ไม่เกิน 1.5%.....	6
- พบการชำรุดแต่ไม่เกิน 2.0%.....	3
- พบการชำรุดเกิน 2.0%.....	0
2. ได้รับใบอนุญาตแสดงเครื่องหมายมาตรฐานกับผลิตภัณฑ์อุตสาหกรรม (มอก.) แบ่งเป็น	15
- ได้รับ มอก.	15
- ไม่ได้รับ มอก.	0
3. ได้รับการรับรองเครื่องหมายฉลากเขียว หรือได้รับการรับรองระบบจัดการสิ่งแวดล้อมมาตรฐาน ISO 14001* แบ่งเป็น ²⁾	5
- ได้รับฉลากเขียว หรือ ISO 14001	5
- ไม่ได้รับฉลากเขียว หรือ ISO 14001	0
* กรณีที่เป็นที่สุดที่มีการกำหนดฉลากเขียวแล้ว ให้ใช้ฉลากเขียวในการคิดเกณฑ์ประสิทธิภาพ ถ้าที่สุดนี้ไม่มีการกำหนดฉลากเขียว ให้ใช้ ISO 14001 ในการคิดเกณฑ์ประสิทธิภาพ	
4. ได้รับการรับรองความสามารถห้องปฏิบัติการทดสอบมาตรฐาน ISO/IEC 17025 (ทุกหัวข้อตามที่ กฟภ. กำหนด) แบ่งเป็น	10
- ได้รับ ISO/IEC 17025 ³⁾ (ทุกหัวข้อตามที่ กฟภ. กำหนด).....	10
- ได้รับการขึ้นทะเบียนห้องทดสอบเครือข่าย หรือได้รับการรับรองกระบวนการทดสอบประจำของ กฟภ. ⁴⁾ (ผ่อนผันถึงวันที่ 31 ธันวาคม 2564).....	5
- ไม่ได้รับฯ หรือได้รับ ISO/IEC 17025 (ไม่ครบทุกหัวข้อตามที่ กฟภ. กำหนด) หรือไม่ได้รับการขึ้นทะเบียนห้องทดสอบเครือข่าย หรือไม่ได้รับการรับรองกระบวนการทดสอบประจำของ กฟภ.	0
5. ได้รับการขึ้นทะเบียน PEA Product Acceptance หรือ Product Lists แบ่งเป็น	15
- ได้รับการขึ้นทะเบียน PEA Product Acceptance หรือ Product lists	15
- เป็นผลิตภัณฑ์ที่ได้รับการขึ้นทะเบียน Vendor list เดิมของ กฟภ. หรือได้รับการขึ้นทะเบียนผลิตภัณฑ์สำหรับ Price-performance ⁵⁾ (ผ่อนผันเป็นระยะเวลา 1 ปี นับจากวันที่มีผลิตภัณฑ์ที่ได้รับการอนุมัติขึ้นทะเบียน PEA Product Acceptance เป็นรายแรก แต่ให้มีอายุไม่เกินวันที่ 31 ธันวาคม 2564).....	15
- ไม่ได้รับการขึ้นทะเบียน PEA Product Acceptance หรือ Product lists	0
รวม	60

หมายเหตุ :

- 1) กฟภ. จะแจ้งประวัติการใช้งานให้แก่เจ้าของผลิตภัณฑ์ หรือโรงงานผู้ผลิต หรือผู้แทนจำหน่ายทราบ ภายในวันที่ 15 ของเดือนมกราคมของทุกปี หากปีใดที่ กฟภ. ไม่มีการแจ้ง ให้ใช้ประวัติการใช้งานตามที่ กฟภ. ได้แจ้งครั้งล่าสุด แต่ย้อนหลังไม่เกิน 3 ปี ในการประเมินคะแนน
- 2) หากหม้อแปลงไฟฟ้ามีการประกาศใช้เครื่องหมายฉลากเขียวแล้ว กฟภ. จะพิจารณาให้คะแนนจากเอกสารรับรองเครื่องหมายฉลากเขียวนั้น ทั้งนี้สามารถตรวจสอบการประกาศรับรองเครื่องหมายฉลากเขียวได้ที่ www.tei.or.th กรณีพิจารณาให้คะแนนจากการได้รับการรับรองระบบการจัดการสิ่งแวดล้อมมาตรฐาน ISO 14001 จะพิจารณาให้คะแนนเฉพาะที่ได้รับการรับรองจากสำนักงานมาตรฐานผลิตภัณฑ์อุตสาหกรรม หรือหน่วยงานที่กระทรวงอุตสาหกรรมให้การรับรองระบบงานให้เท่านั้น (ได้ใบรับรองจากหน่วยงานอื่นได้ 0 คะแนน)

3) ได้รับ....

- 3) ได้รับ ISO/IEC 17025 (ทุกหัวข้อตามที่ กฟภ. กำหนด) หมายถึง ผู้ผลิตหม้อแปลงไฟฟ้าจะต้องได้รับการรับรองความสามารถห้องปฏิบัติการทดสอบ ISO/IEC 17025 ทุกหัวข้อตามที่ กฟภ. กำหนดจากสำนักงานมาตรฐานผลิตภัณฑ์อุตสาหกรรม หรือหน่วยงานที่กระทรวงอุตสาหกรรมให้การรับรองระบบงานให้เท่านั้น (ได้ใบรับรองจากหน่วยงานอื่นได้ 0 คะแนน)
- 4) กฟภ. ผ่อนผัน ถึงวันที่ 31 ธันวาคม 2564 ให้ผู้ผลิตหม้อแปลงไฟฟ้าที่ได้รับการขึ้นทะเบียนห้องทดสอบเครือข่าย หรือได้รับการรับรองกระบวนการทดสอบประจำของ กฟภ. (ได้รับคะแนน 5 คะแนน)
- 5) กฟภ. ผ่อนผันเป็นระยะเวลา 1 ปี นับจากวันที่มีผลิตภัณฑ์ที่ได้รับการอนุมัติขึ้นทะเบียน PEA Product Acceptance เป็นรายแรก แต่ให้มีอายุไม่เกินวันที่ 31 ธันวาคม 2564 ให้ผู้ผลิตหม้อแปลงไฟฟ้าที่ได้รับการขึ้นทะเบียน Vendor list เดิมของ กฟภ. หรือได้รับการขึ้นทะเบียนผลิตภัณฑ์สำหรับ Price-performance (ได้รับคะแนน 15 คะแนน)

หัวข้อการทดสอบ Routine testsของหม้อแปลงไฟฟ้าระบบจำหน่าย
(ตามสเปคอ้างอิงเลขที่ RTRN-008/2558, RTRN-047/2561 และ RTRN-035/2561)

ที่	หัวข้อการทดสอบ
1.	Measurement of winding resistance
2.	Measurement of voltage ratio and check of phase displacement
3.	Measurement of short-circuit impedance and load loss
4.	Measurement of no-load loss and current
5.	Dielectric routine tests - Applied voltage test - Induce voltage withstand test



การไฟฟ้าส่วนภูมิภาค
PROVINCIAL ELECTRICITY AUTHORITY

PROVINCIAL ELECTRICITY AUTHORITY

TECHNICAL SPECIFICATION DIVISION

Specification No. RTRN-035/2561: THREE-PHASE TRANSFORMERS FOR 22 kV and 33 kV 50 Hz
DISTRIBUTION SYSTEMS WITH ABILITY TO WITHSTAND
SHORT CIRCUIT

page 1 of 4

C3 Schedule of detailed requirement

ประกวดราคาอิเล็กทรอนิกส์เลขที่ : กฟภ.กจน.ป(มป)-003-2563

Item	PEA Material No.	Quantity	Description
1	1050010066	241 Units	50 kVA, three-phase transformer, permanently sealed and completely oil filled system (without gas cushion) type, withstand short-circuit, 22,000-416/240V, symbol Dyn11.
2	1050010067	583 Units	100 kVA, three-phase transformer, permanently sealed and completely oil filled system (without gas cushion) type, withstand short-circuit, 22,000-416/240V, symbol Dyn11.
3	1050010068	600 Units	160 kVA, three-phase transformer, permanently sealed and completely oil filled system (without gas cushion) type, withstand short-circuit, 22,000-416/240V, symbol Dyn11.
4	1050010069	293 Units	250 kVA, three-phase transformer, permanently sealed and completely oil filled system (without gas cushion) type, withstand short-circuit, 22,000-416/240V, symbol Dyn11.



การไฟฟ้าส่วนภูมิภาค
PROVINCIAL ELECTRICITY AUTHORITY

PROVINCIAL ELECTRICITY AUTHORITY

TECHNICAL SPECIFICATION DIVISION

Specification No. RTRN-035/2561: THREE-PHASE TRANSFORMERS FOR 22 kV and 33 kV 50 Hz
DISTRIBUTION SYSTEMS WITH ABILITY TO WITHSTAND
SHORT CIRCUIT

page 2 of 4

C3 Schedule of detailed requirement

ประกวดราคาอิเล็กทรอนิกส์เลขที่ : กฟภ.กจน.ป(มป)-003-2563

Item	PEA Material No.	Quantity	Description
			<p>Note :</p> <ol style="list-style-type: none"> 1. Enclosed Drawings No. SA4-015/47002 and No. SA4-015/50008 2. การไฟฟ้าส่วนภูมิภาคจะพิจารณาจัดซื้อ/จัดจ้างพัสดุที่ผลิตในประเทศไทย ทั้งนี้หากผู้เสนอราคาพัสดุที่ผลิตในประเทศไทย มีรายละเอียดคุณลักษณะเฉพาะไม่เป็นไปตามข้อกำหนดของการไฟฟ้าส่วนภูมิภาค หรือไม่มีผู้เสนอพัสดุที่ผลิตในประเทศไทย การไฟฟ้าส่วนภูมิภาคจะพิจารณาจัดซื้อ/จัดจ้างพัสดุที่ผลิตจากต่างประเทศต่อไป พัสดุที่ผลิตในประเทศไทย หมายความว่าถึง ผลิตภัณฑ์ที่ผลิตสำเร็จรูปแล้ว โดยสถานที่ผลิตตั้งอยู่ในประเทศไทย 3. เกณฑ์การพิจารณาใช้เกณฑ์ราคาประกอบเกณฑ์อื่น ในการจัดซื้อจัดจ้างของการไฟฟ้าส่วนภูมิภาค พ.ศ. 2561 4. กำหนดส่งมอบแต่ละรายการที่ กองบริหารและจัดการคลังพัสดุ 3 การไฟฟ้าส่วนภูมิภาค ถนนพหลโยธิน ตำบลคลองหนึ่ง อำเภอคลองหลวง จังหวัดปทุมธานี ทั้งนี้ให้นับถัดจากวันลงนามในสัญญาซื้อขาย และภายในงวดสามารถทยอยการจัดส่ง ดังนี้ รายการที่ 1 แบ่งการจัดส่งเป็น 2 งวด ดังนี้ งวดแรก จัดส่งจำนวน 200 เครื่อง ภายใน 45 วัน งวดที่ 2 จัดส่งจำนวน 41 เครื่อง ภายใน 75 วัน รายการที่ 2 แบ่งการจัดส่งเป็น 3 งวด ดังนี้ งวดแรก จัดส่งจำนวน 200 เครื่อง ภายใน 45 วัน งวดที่ 2 จัดส่งจำนวน 200 เครื่อง ภายใน 75 วัน งวดที่ 3 จัดส่งจำนวน 183 เครื่อง ภายใน 105 วัน รายการที่ 3 แบ่งการจัดส่งเป็น 3 งวด ดังนี้ งวดแรก จัดส่งจำนวน 200 เครื่อง ภายใน 45 วัน งวดที่ 2 จัดส่งจำนวน 200 เครื่อง ภายใน 75 วัน งวดที่ 3 จัดส่งจำนวน 200 เครื่อง ภายใน 105 วัน



การไฟฟ้าส่วนภูมิภาค
PROVINCIAL ELECTRICITY AUTHORITY

PROVINCIAL ELECTRICITY AUTHORITY

TECHNICAL SPECIFICATION DIVISION

Specification No. RTRN-035/2561: THREE-PHASE TRANSFORMERS FOR 22 kV and 33 kV 50 Hz
DISTRIBUTION SYSTEMS WITH ABILITY TO WITHSTAND
SHORT CIRCUIT

page 3 of 4

C3 Schedule of detailed requirement

ประกวดราคาอิเล็กทรอนิกส์เลขที่ : กฟภ.กจน.ป(มป)-003-2563

Item	PEA Material No.	Quantity	Description
			<p>รายการที่ 4 แบ่งการจัดส่งเป็น 3 งวด ดังนี้ งวดแรก จัดส่งจำนวน 100 เครื่อง ภายใน 45 วัน งวดที่ 2 จัดส่งจำนวน 100 เครื่อง ภายใน 75 วัน งวดที่ 3 จัดส่งจำนวน 93 เครื่อง ภายใน 105 วัน</p> <p>5. บริษัทผู้ผลิตที่ได้รับการสั่งซื้อต้องส่งแผนการผลิตหม้อแปลงมาให้ การไฟฟ้าส่วนภูมิภาค (กองจัดหาในประเทศ และ กองหม้อแปลง) ภายใน 7 วัน นับถัดจากวันที่ได้รับหนังสือสั่งซื้อ/ใบสั่งซื้อ เพื่อให้คณะกรรมการตรวจสอบการผลิตและทดสอบ เข้าทำการตรวจสอบตามเงื่อนไขการจัดซื้อหม้อแปลงไฟฟ้าระบบจำหน่ายที่ผลิตภายในประเทศ</p> <p>6. บริษัทผู้ผลิตที่ได้รับการสั่งซื้อ หม้อแปลงไฟฟ้าต้องระบุน้ำหนักสุทธิ (Net Weight) ของหม้อแปลง ลงบนหม้อแปลงของแต่ละเครื่องบน Name Plate</p> <p>7. คู่สัญญาจะต้องเป็นผู้รับผิดชอบค่าใช้จ่ายทั้งหมดในการทดสอบเพื่อการตรวจรับ (Acceptance Test)</p> <p>8. การทดสอบเพื่อประกอบการตรวจรับหม้อแปลงไฟฟ้าในระบบจำหน่าย ณ โรงงานผู้ผลิต</p> <p>8.1 ให้คณะกรรมการตรวจรับสามารถพิจารณาตรวจรับหม้อแปลงไฟฟ้า ณ โรงงานผู้ผลิตเพื่อเป็นทางเลือกนอกเหนือจากการส่งทดสอบที่ กองหม้อแปลง โดยให้คณะกรรมการตรวจรับร่วมกับ คณะกรรมการตรวจสอบการผลิตและทดสอบ (ถ้ามี) และ กองหม้อแปลง สุ่มตัวอย่างและร่วมทำการทดสอบเพื่อการตรวจรับ ณ โรงงานผู้ผลิตโดยวิธีการทดสอบจะต้องเป็นไปตามมาตรฐานและวิธีปฏิบัติของการไฟฟ้าส่วนภูมิภาค โดยให้คู่สัญญา เป็นผู้รับผิดชอบค่าใช้จ่ายในการทดสอบทั้งหมด</p>



การไฟฟ้าส่วนภูมิภาค
PROVINCIAL ELECTRICITY AUTHORITY

PROVINCIAL ELECTRICITY AUTHORITY

TECHNICAL SPECIFICATION DIVISION

Specification No. RTRN-035/2561: THREE-PHASE TRANSFORMERS FOR 22 kV and 33 kV 50 Hz
DISTRIBUTION SYSTEMS WITH ABILITY TO WITHSTAND
SHORT CIRCUIT

page 4 of 4

C3 Schedule of detailed requirement

ประกวดราคาอิเล็กทรอนิกส์เลขที่ : กฟภ.กจน.ป(มป)-003-2563

Item	PEA Material No.	Quantity	Description
			<p>8.2 ในกรณีที่เป็นหม้อแปลงไฟฟ้า สำหรับผู้ใช้ไฟฟ้าเฉพาะรายที่จัดซื้อ โดยผู้ใช้ไฟฟ้า และเป็นหม้อแปลงไฟฟ้าที่จะต้องจัดส่งให้ การ ไฟฟ้าส่วนภูมิภาค ทดสอบค่าความสูญเสีย (Losses) ก่อนติดตั้ง ใช้งานให้ผู้ใช้ไฟฟ้าที่มีความประสงค์ที่จะทำการทดสอบดังกล่าว ณ โรงงานผู้ผลิต แจ้งให้ การไฟฟ้าส่วนภูมิภาค จัดส่งผู้แทนเข้า ร่วมทดสอบ ณ โรงงานผู้ผลิตก่อนการส่งของ โดยให้ผู้แทน การ ไฟฟ้าส่วนภูมิภาค ที่เข้าร่วมทำการทดสอบดังกล่าวพิจารณาทำ เครื่องหมายที่หม้อแปลงไฟฟ้าสำหรับใช้ตรวจสอบภายหลังจาก การส่งหม้อแปลงไฟฟ้างดงกล่าวไปที่หน้างานโดยให้ผู้ใช้ไฟฟ้าเป็น ผู้รับผิดชอบค่าใช้จ่ายในการทดสอบทั้งหมด</p>



PROVINCIAL ELECTRICITY AUTHORITY

การไฟฟ้าส่วนภูมิภาค
PROVINCIAL ELECTRICITY AUTHORITY

TECHNICAL SPECIFICATION DIVISION

Specification No. RTRN-035/2561: THREE-PHASE TRANSFORMERS FOR 22 kV and 33 kV 50 Hz DISTRIBUTION SYSTEMS WITH

ABILITY TO WITHSTAND SHORT CIRCUIT

page 1 of 2

C4		Manufacturer :			
ประเภทราคาอิเล็กทรอนิกส์เลขที่ : กพท.กจน.ป(งป)-003-2563		Country of origin :			
		Trade-mark :			
Item	PEA Material No.	Catalogue No.	Description	Quantity	
1	1050010066		50 kVA, three-phase transformer, permanently sealed and completely oil filled system (without gas cushion) type, withstand short-circuit, 22,000-416/240V, symbol Dyn11.	241 Units	(เป็นเสนอราคาทางระบบอิเล็กทรอนิกส์)
2	1050010067		100 kVA, three-phase transformer, permanently sealed and completely oil filled system (without gas cushion) type, withstand short-circuit, 22,000-416/240V, symbol Dyn11.	583 Units	(เป็นเสนอราคาทางระบบอิเล็กทรอนิกส์)
3	1050010068		160 kVA, three-phase transformer, permanently sealed and completely oil filled system (without gas cushion) type, withstand short-circuit, 22,000-416/240V, symbol Dyn11.	600 Units	(เป็นเสนอราคาทางระบบอิเล็กทรอนิกส์)



PROVINCIAL ELECTRICITY AUTHORITY

การไฟฟ้าส่วนภูมิภาค
Regional Electricity Authority

TECHNICAL SPECIFICATION DIVISION

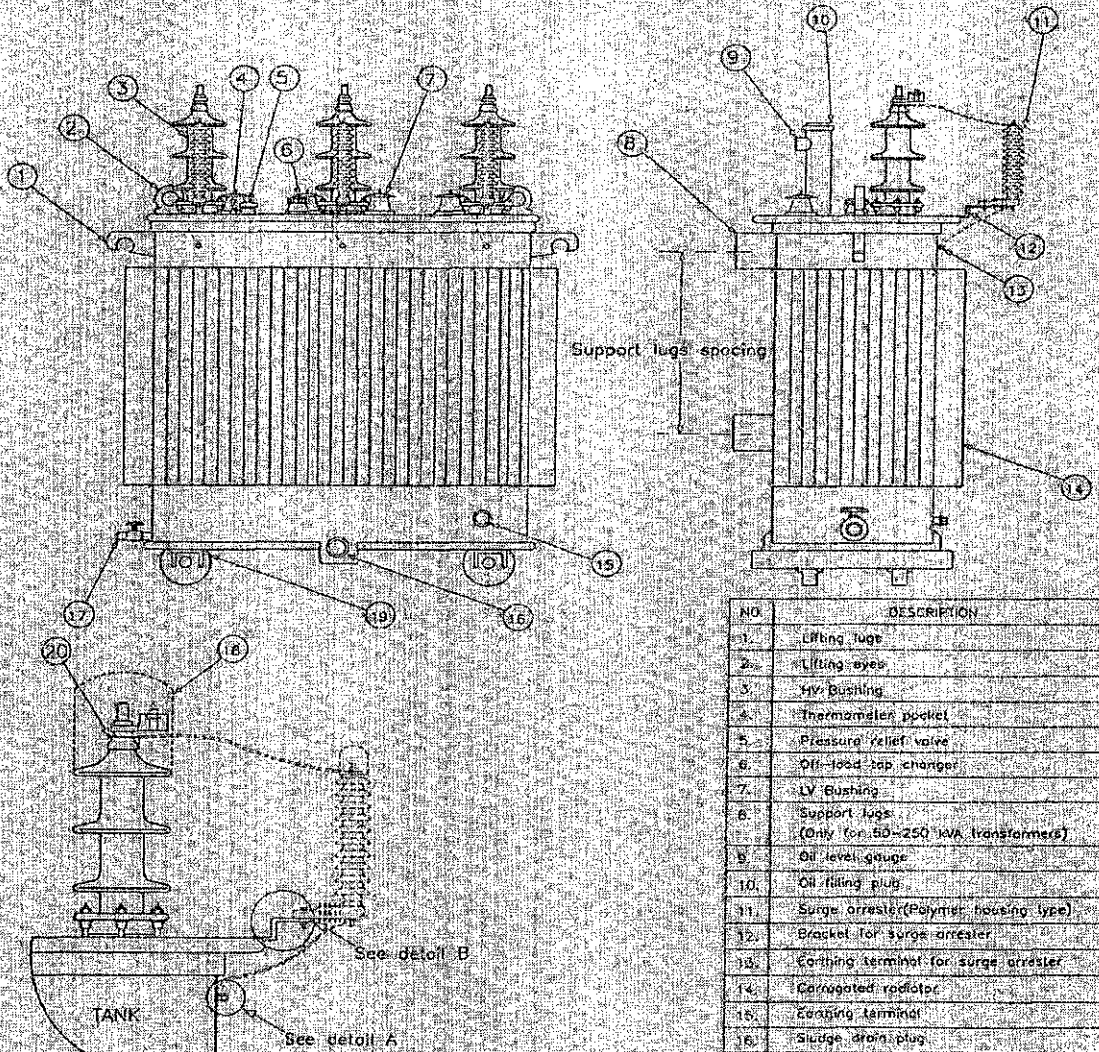
Specification No. RTRN-035/2561: THREE-PHASE TRANSFORMERS FOR 22 kV and 33 kV 50 Hz DISTRIBUTION SYSTEMS WITH ABILITY TO WITHSTAND SHORT CIRCUIT

page 2 of 2

C4		Manufacturer : Country of origin : Trade-mark :		
Item	PEA Material No.	Catalogue No.	Description	Quantity
4	1050010069		250 kVA, three-phase transformer, permanently sealed and completely oil filled system (without gas cushion) type, withstand short-circuit, 22,000-416/240V, symbol Dyn11.	293 Units (ยื่นเสนอราคาทางระบบอิเล็กทรอนิกส์)

Only for 50-500 kVA transformers

PRELIMINARY



NO.	DESCRIPTION
1.	Lifting lug
2.	Lifting eyes
3.	HV Bushing
4.	Thermometer pocket
5.	Pressure relief valve
6.	Off-load tap changer
7.	LV Bushing
8.	Support lugs
9.	Oil level gauge
10.	Oil filling plug
11.	Surge arrester (Polymer housing type)
12.	Bracket for surge arrester
13.	Earthing terminal for surge arrester
14.	Corrugated radiator
15.	Earthing terminal
16.	Sludge drain plug
17.	Oil drain valve
18.	Bird guard cap
19.	Transport rollers
20.	Cable lug

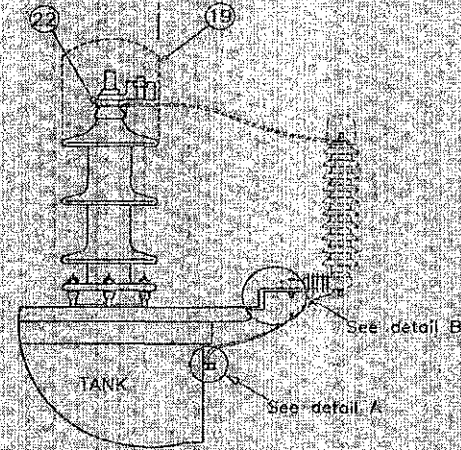
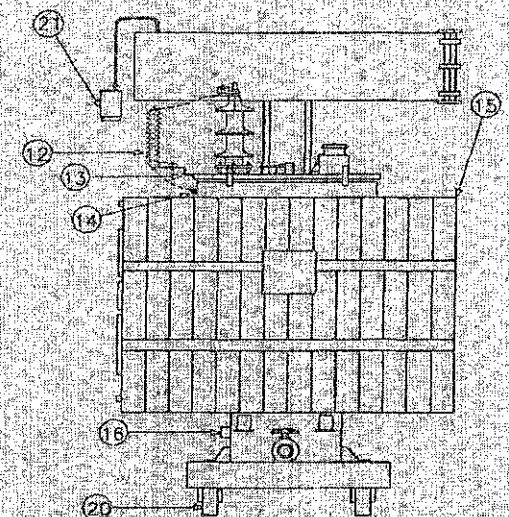
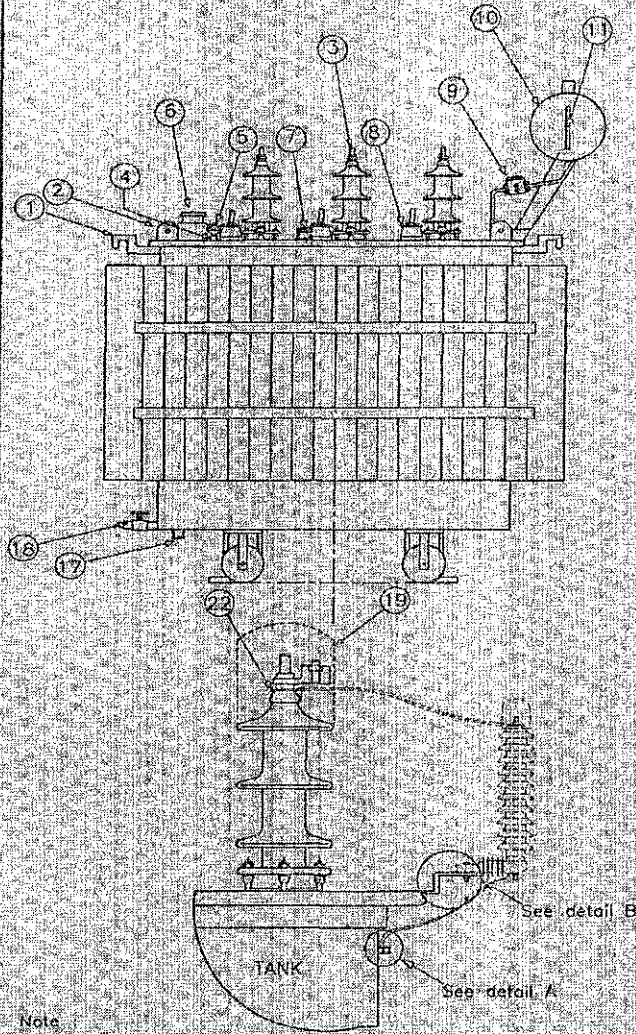
Note:

1. Surge arrester, line lead and ground lead, supplied by PEA.
2. Earthing terminal for surge arrester shall be eye-bolt type or socket type.
3. Position of earthing terminal for surge arrester shall be suitable for flexible copper insulated ground lead size 16 sq.mm, 430 mm long.
4. Not to scale.

กองมาตรฐานระบบไฟฟ้า ฝ่ายมาตรฐานและควบคุมผลิตภัณฑ์	การไฟฟ้าส่วนภูมิภาค	ใช้แทนแบบ.....
ผู้เขียน: มิตติศักดิ์ เพ็ญตอง	ส่วนประกอบขอมอนแปลงไฟฟ้า 3 เฟส	กำหนดโดยแบบ.....
ผู้สำรวจ:		เขียนเสร็จวันที่ 8-มี.ค. 2552
ผู้ตรวจ:		แก้ไขครั้งที่ 26 มี.ค. 2554
หัวหน้าแผนก:		มีมติเป็น.....
ผู้อำนวยการกอง:	DETAIL OF 3 PHASE TRANSFORMER	มาตรฐาน.....
ผู้อำนวยการฝ่าย:		แบบเลขที่ S44-019/50098
		แผนที่ 1 ของจำนวน 4 แผนที่

Only for 630-2,000 kVA transformers

PRELIMINARY



NO.	DESCRIPTION
1	Lifting lugs
2	Lifting eyes
3	HV Bushing
4	Thermometer pocket
5	Dial type thermometer (Only for 1,000-2,000 kVA transformers)
6	Pressure relief valve
7	Off-load tap changer
8	LV Bushing
9	Buchholz relay (Only for 1,000-2,000 kVA transformers)
10	Conservator
11	Oil level gauge
12	Surge arrester (Polymer housing type)
13	Bracket for surge arrester
14	Earthing terminal for surge arrester
15	Reactor
16	Earthing terminal
17	Sludge drain plug
18	Oil drain valve
19	Bird guard cap
20	Transport rollers
21	Desiccating breather
22	Cable lug

Note

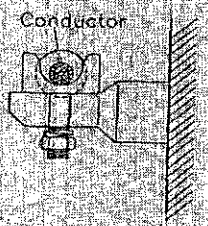
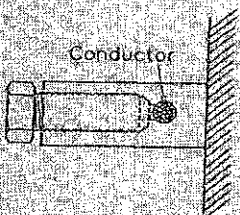
1. Surge arrester, line lead and ground lead supplied by PEA
2. Earthing terminal for surge arrester shall be eye-bolt type or socket type.
3. Position of earthing terminal for surge arrester shall be suitable for flexible copper insulated ground lead size 16 sq.mm, 430 mm long.
4. Only for 1,000-2,000 kVA transformers shall be furnished and equipped with :
 - (a) Dial type thermometer with adjustable contact(s)
 - (b) Double float Buchholz relay having two (2) contacts (for alarm and tripping)
5. Not to scale

กองมาตรฐานระบบไฟฟ้า มาตรฐานและควบคุมผลิตภัณฑ์	การไฟฟ้าส่วนภูมิภาค	ใช้แทนแบบ
ผู้เขียน: น.นิต พิศาล	ส่วนประกอบหม้อแปลงไฟฟ้า 3 เฟส	ถูกแทนโดยแบบ
ผู้สำรวจ:		เขียนเสร็จวันที่ 8 มี.ย. 2552
วิศวกร:		แก้ไขวันที่ 26 พ.ค. 2554
หัวหน้าแผนก:		ชนิดเป็น: มิลลิเมตร
ผู้อำนวยการกอง:	DETAIL OF 3 PHASE TRANSFORMER	ขนาดฐาน:
ผู้ช่วยการดำเนินงาน:		แบบเลขที่ SA-015/50006
		แผ่นที่ 2 ของจำนวน 4 แผ่น

PRELIMINARY

Detail A

Type of earthing terminal for surge arrester

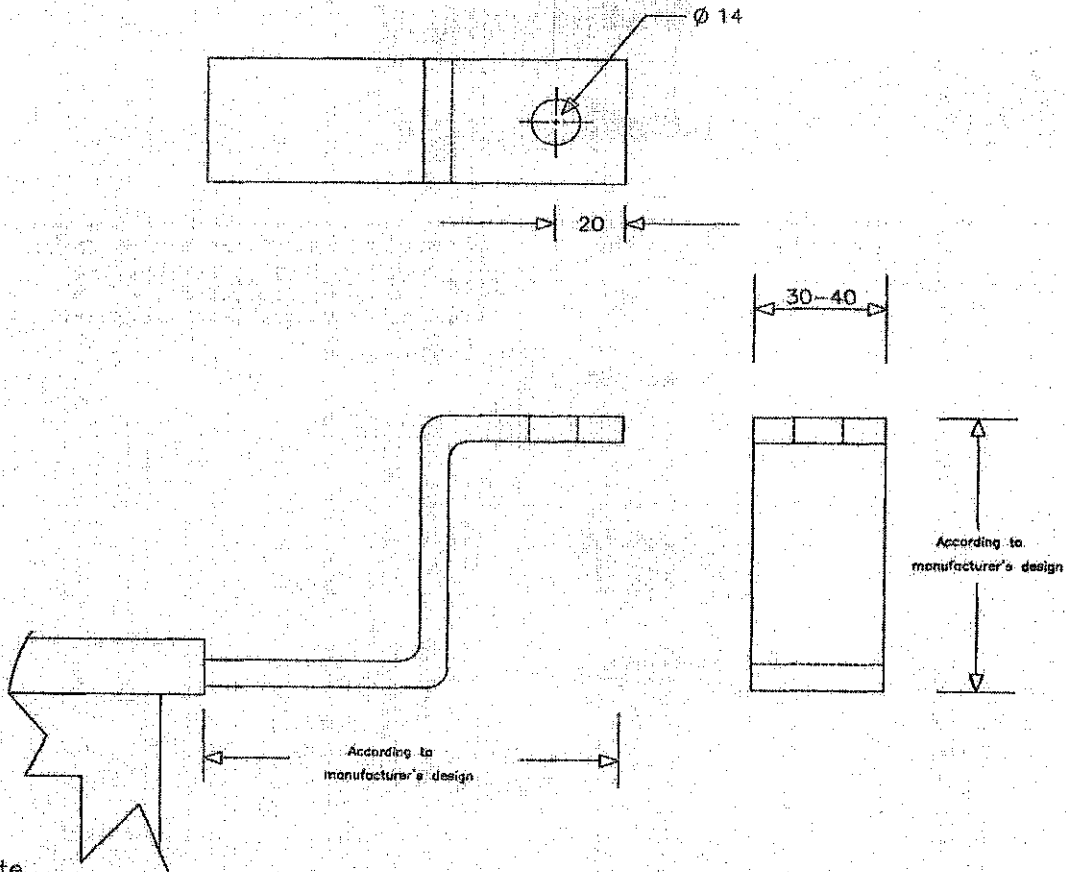
 <p>eye-bolt type earthing terminal</p>	 <p>socket type earthing terminal</p>
<p><u>Description</u></p> <p>Eye-bolt type earthing terminal shall be with eye-bolt type connector suitable for flexible copper insulated ground lead size 16 sq mm, complete with lock washer of stainless steel or better.</p>	<p><u>Description</u></p> <p>Socket type earthing terminal shall be with socket suitable for flexible copper insulated ground lead size 16 sq mm, complete with bolt of stainless steel or better for lock conductor.</p>

<p>กองมาตรฐานระบบไฟฟ้า สมาคมช่างเทคนิคการไฟฟ้า</p>	<p>การไฟฟ้าส่วนภูมิภาค</p>	<p>ใช้แทนแบบ.....</p>
<p>ผู้เขียน น.พิเชษฐ์ เพ็ชร์ ผู้สำรวจ..... วิศวกร.....</p>	<p>ส่วนประกอบหม้อแปลงไฟฟ้า 3 เฟส</p>	<p>ถูกแทนโดยแบบ..... เขียนเสร็จวันที่ B. น.ป. 2552 นักแบบวันที่ 26 พ.ค. 2554 วัสดุเป็น สแตนเลส</p>
<p>หัวหน้าแผนก..... ผู้อำนวยการกอง..... ผู้อำนวยการฝ่าย.....</p>	<p>DETAIL OF 3 PHASE TRANSFORMER</p>	<p>มาตรฐาน..... แบบเลขที่ S44-015/5000B แผ่นพ.ร. บัญชีจำนวน 5 แผ่น</p>

PRELIMINARY

Detail B :

Detail of mounting bracket for surge arrester



Note.

1. Material of mounting bracket shall be stainless steel or painted with RAL gray color. And paint system shall be system No. A.3.08, according to table A.3 ISO12944-5 which the total thickness not less than 160 um.
2. Shape and dimension of mounting bracket, unless specified shall be according to manufacturer's design.
3. The mounting bracket shall be designed to support up to 8 kg surge arrester.

กองข้อกำหนดทางเทคนิค ฝ่ายวิศวกรรม	การไฟฟ้าส่วนภูมิภาค	ใช้แทนแบบ..... ถูกแทนโดยแบบ.....
ผู้เขียนมาตรฐาน: เติมแพงพันธ์ ผู้สำรวจ..... วิศวกร..... หัวหน้าแผนก.....	ส่วนประกอบหม้อแปลง 3 เฟส สำหรับข้างซ่อม	เขียนเสร็จวันที่ 26 พ.ค. 2554 แก้แบบวันที่ 21 พ.ย. 2561 ผลิตเป็น มิลลิเมตร
ผู้อำนวยกากรอง..... ผู้อำนวยกากรฝ่าย.....	DETAIL OF REPAIRED 3 PHASE TRANSFORMER	มาตรฐาน..... แบบเลขที่ SA4-015/50008 แผ่นที่ 4 ของจำนวน 4 แผ่น

PRELIMINARY

การประกอบและที่
ASSEMBLY NO.

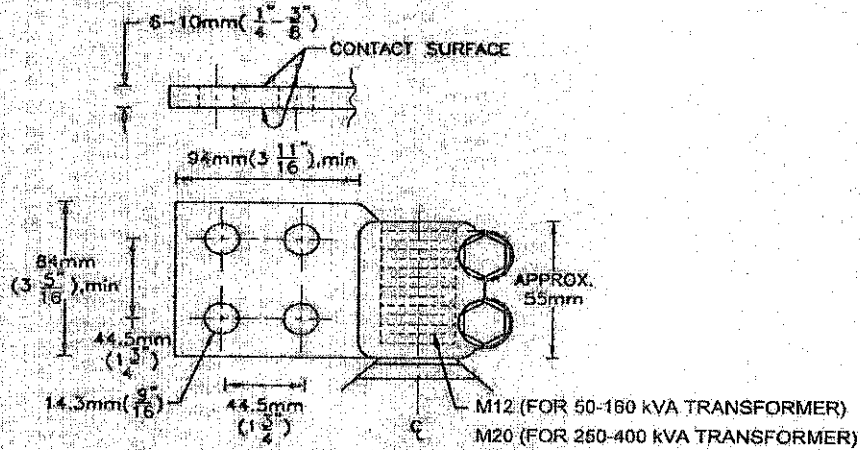


FIGURE 1

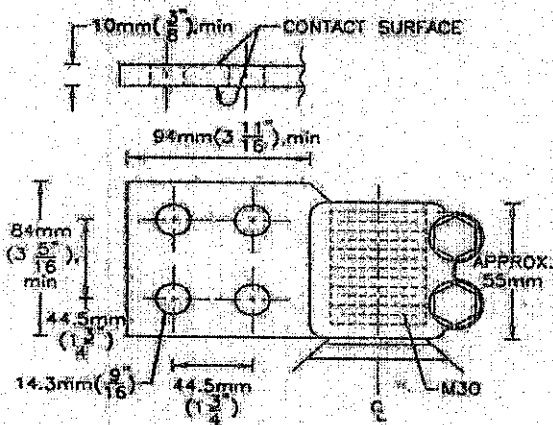


FIGURE 2

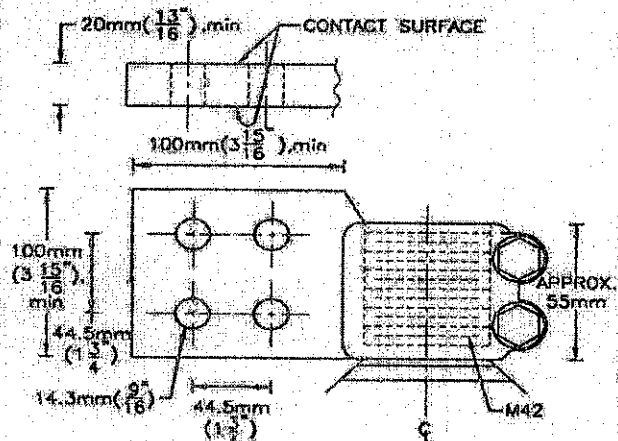


FIGURE 3

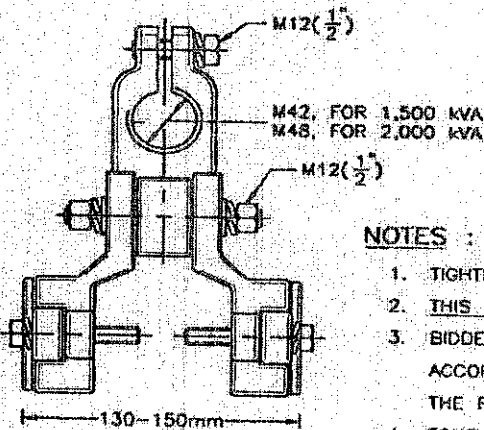
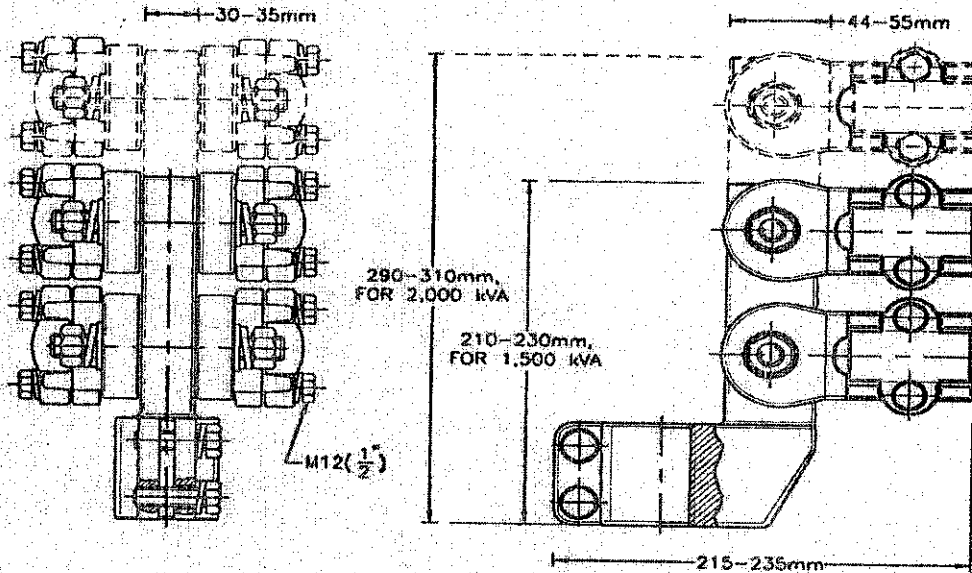
NOTES :

1. FIGURE 1 FOR 50-160 kVA TRANSFORMER
2. FIGURE 1 FOR 250-400 kVA TRANSFORMER
3. FIGURE 2 FOR 500-630 kVA TRANSFORMER
4. FIGURE 3 FOR 800-1,250 kVA TRANSFORMER

กองมาตรฐานระบบไฟฟ้า	การไฟฟ้าส่วนภูมิภาค	ใช้ตามแบบ SA2-015/28006
ฝ่ายมาตรฐานและควบคุมสื่อ		SA2-015/29013
เขียน <i>Siphichai Somwang</i>	ผู้ว่าการ.....	SA4-015/45002
ผู้สำรวจ.....		ถูกแทนโดยแบบ.....
วิศวกร.....	รายละเอียดของข้อต่อสายแรงต่ำสำหรับ หม้อแปลงไฟฟ้า สามเฟส 50-1,250 kVA	เขียนเสร็จวันที่, 19 พ.ย. 2517
หัวหน้าแผนก.....		แก้แบบวันที่.....
ผู้อำนวยการแผนก.....	DETAIL OF L.V. TERMINAL PADS FOR 50-1,250 kVA THREE-PHASE TRANSFORMER	มีมติเป็น..... มีผลเมื่อ.....
ผู้อำนวยการฝ่าย.....		ราคาส่วน.....
รองผู้อำนวยการแผนก และควบคุมการระบบไฟฟ้า		แบบเลขที่ SA4-015/47002
		แผ่นที่ 1 ของจำนวน 2 แผ่น

PRELIMINARY

การประกอบเลขที่
ASSEMBLY NO.



NOTES :

1. TIGHTENING TORQUE LEVEL OF BOLTS M12($\frac{1}{2}$) : 5.5 kgf-m
2. THIS DRAWING IS ONLY GUIDING (NOT COMPELLING).
3. BIDDERS ARE AT LIBERTY TO QUOTE THE CONNECTOR ACCORDING TO MANUFACTURER'S DESIGN, BUT PEA RESERVES THE RIGHT TO CONSIDER.
4. FOUR (4) CIRCUITS FOR 1,500 KVA TRANSFORMER.
5. SIX (6) CIRCUITS FOR 2,000 KVA TRANSFORMER

กองมาตรฐานระบบไฟฟ้า ฝ่ายมาตรฐานและความปลอดภัย	การไฟฟ้าส่วนภูมิภาค	ใช้อแบบ SA2-015/28006 SA2-015/29013 SA4-015/45002 ถูกแทนโดยแบบ
ผู้เขียน <i>Supphadit Boonrong</i> ผู้สำรวจ วิศวกร หัวหน้าแผนก ผู้อำนวยการกอง ผู้อำนวยการสาย	ผู้ว่าการ รายละเอียดของขั้วต่อสายแรงต่ำสำหรับ หม้อแปลงไฟฟ้า สามเฟส 1,500-2,000 kVA	เขียนเสร็จวันที่ 18 พ.ย. 2547 แก้แบบวันที่ มีดเบง มิลลิเมตร มาตราส่วน
รองผู้อำนวยการวางแผน และพัฒนา ระบบไฟฟ้า	DETAIL OF L.V. TERMINAL PADS FOR 1,500-2,000 KVA THREE-PHASE TRANSFORMER	แบบเลขที่ SA4-015/47002 แผ่นที่ 2 ของจำนวน 2 แผ่น

เงื่อนไขทั่วไปประกอบการจัดซื้อพัสดุ

ผู้ยื่นข้อเสนอ จะต้องปฏิบัติตามเงื่อนไขประกอบการจัดซื้อพัสดุดังนี้

ข้อ ๑ “ผู้ยื่นข้อเสนอจะต้องยื่นเอกสารทางเทคนิค เช่น แค็ตตาล็อก แบบรูป (Drawings) รายงานผลการทดสอบเฉพาะแบบ (Type test reports) หรือเอกสารอื่นๆ ตามที่ได้ระบุไว้ในรายละเอียดสเปค (Specification) ให้ครบถ้วนพร้อมกับการยื่นข้อเสนอ โดยเอกสารทางเทคนิคดังกล่าวจะต้องเป็นภาพสีเหมือนกับเอกสารต้นฉบับ และต้องเป็นภาษาไทยหรือภาษาอังกฤษเท่านั้น สำหรับเอกสารทางเทคนิคที่ผู้ยื่นข้อเสนอจะต้องกรอกรายละเอียดในแบบฟอร์มของ การไฟฟ้าส่วนภูมิภาค ให้ใช้วิธีการพิมพ์เท่านั้น การไฟฟ้าส่วนภูมิภาคขอสงวนสิทธิ์ที่จะไม่รับพิจารณาผู้ยื่นข้อเสนอที่ยื่นเอกสารทางเทคนิคไม่ครบถ้วน หรือไม่ปฏิบัติตามที่ระบุข้างต้น

ข้อ ๒ การไฟฟ้าส่วนภูมิภาค จะพิจารณาเฉพาะเอกสารทางเทคนิค เช่น แค็ตตาล็อก แบบรูป (Drawings) รายงานผลการทดสอบเฉพาะแบบ (Type test reports) หรือเอกสารอื่นๆ ที่ระบุผลิตภัณฑ์เป็นแบบ (Type) หรือเป็นรุ่น (Model) ที่ตรงกับที่ผู้ยื่นข้อเสนอระบุไว้ในรายการที่เสนอราคาเท่านั้น เว้นแต่รายละเอียดสเปค (Specification) ระบุความต้องการเอกสารทางเทคนิคไว้เป็นอย่างอื่น

ข้อ ๓ สำหรับพัสดุดูอุปกรณ์ที่ การไฟฟ้าส่วนภูมิภาค กำหนดให้ใช้เกณฑ์ราคาประกอบเกณฑ์อื่น (Price-performance) ในการพิจารณาจัดซื้อ ผู้ยื่นข้อเสนอที่ยื่นผลิตภัณฑ์ที่มีคุณสมบัติเป็นไปตามเกณฑ์อื่นในแต่ละรายการ และมีความประสงค์ที่จะให้ การไฟฟ้าส่วนภูมิภาค คิดคะแนนในส่วนของเกณฑ์อื่นดังกล่าวเพื่อประกอบการพิจารณาจัดซื้อนั้น ผู้ยื่นข้อเสนอจะต้องยื่นเอกสารแสดงคุณสมบัติในแต่ละเกณฑ์ให้ถูกต้อง และครบถ้วนมาพร้อมกับการยื่นข้อเสนอ หากการไฟฟ้าส่วนภูมิภาคตรวจสอบแล้วพบว่าเอกสารแสดงคุณสมบัติดังกล่าวไม่ถูกต้อง หรือไม่ครบถ้วน การไฟฟ้าส่วนภูมิภาค ขอสงวนสิทธิ์ที่จะพิจารณาไม่ให้คะแนนในแต่ละเกณฑ์นั้นๆ

ทั้งนี้รายการพัสดุดูอุปกรณ์ที่การไฟฟ้าส่วนภูมิภาคกำหนดให้ใช้เกณฑ์ราคาประกอบเกณฑ์อื่นในการพิจารณาจัดซื้อ รวมถึงสัดส่วนการคิดคะแนนระหว่างเกณฑ์ราคา และเกณฑ์อื่นจะถูกกำหนดไว้ในเอกสารที่เกี่ยวข้อง”

ข้อ ๔ กรณีการจัดซื้ออุปกรณ์ไฟฟ้าหลักสำหรับติดตั้งใช้งานในระบบสายส่ง 115 kV และระบบจำหน่าย 22 kV และ 33 kV อันได้แก่ หม้อแปลงไฟฟ้า รีโคสเซอร์ เซอร์กิตเบรกเกอร์ อุปกรณ์ป้องกัน สวิตช์ อุปกรณ์ตัดตอน ลูกถ้วยไฟฟ้า สายไฟฟ้า หม้อแปลงกระแส (Current transformers) หม้อแปลงแรงดัน (Voltage transformers) รวมถึง มิเตอร์สำหรับวัดพลังงานไฟฟ้า การไฟฟ้าส่วนภูมิภาคขอสงวนสิทธิ์ที่จะส่งเจ้าหน้าที่ของการไฟฟ้าส่วนภูมิภาค หรือผู้แทนที่ได้รับการแต่งตั้งจากการไฟฟ้าส่วนภูมิภาคเข้าไปตรวจสอบกระบวนการผลิตและการควบคุมคุณภาพ ณ โรงงานผู้ผลิตก่อนการส่งมอบ โดยการไฟฟ้าส่วนภูมิภาคจะเป็นผู้ออกค่าใช้จ่ายในการเดินทาง และเบี่ยงเลี้ยงของเจ้าหน้าที่ฯ หรือค่าจ้างผู้แทนฯ เท่านั้น

ข้อ ๕ การจัดซื้อหม้อแปลงไฟฟ้าสำหรับระบบจำหน่าย ผู้ที่ได้รับการสั่งซื้อต้องยินยอมให้ การไฟฟ้าส่วนภูมิภาค หรือผู้แทนที่ได้รับการแต่งตั้งจากการไฟฟ้าส่วนภูมิภาคเข้าไปตรวจสอบกระบวนการผลิต การควบคุมคุณภาพ และการทดสอบ ณ โรงงานผู้ผลิตก่อนการส่งมอบ โดยมีรายละเอียดและขั้นตอนที่ผู้ได้รับการสั่งซื้อต้องปฏิบัติตามเอกสารแนบจำนวน ๒ แผ่น โดยการไฟฟ้าส่วนภูมิภาคจะเป็นผู้ออกค่าใช้จ่ายในการเดินทาง และเบี่ยงเลี้ยงของเจ้าหน้าที่ฯ หรือค่าจ้างผู้แทนฯ เท่านั้น

ข้อ ๖ กรณีพัสดุที่จะจัดซื้อเป็นรายการที่ ได้รับการรับรองตามกระบวนการ PEA Product Acceptance การไฟฟ้าส่วนภูมิภาคจะดำเนินการดังนี้

๖.๑ ในการพิจารณาทางเทคนิค หากผู้ยื่นข้อเสนอ เสนอผลิตภัณฑ์ที่ได้รับการรับรองตาม กระบวนการ PEA Product Acceptance ที่ยังไม่หมดอายุการรับรอง ให้แนบใบรับรองฯ ของการไฟฟ้าส่วน ภูมิภาค พร้อมเอกสารประกอบการเสนอราคา โดยไม่ต้องยื่นเอกสารทางเทคนิคอื่นๆ และคณะกรรมการ พิจารณาผลฯ ไม่ต้องพิจารณาเอกสารทางเทคนิค โดยให้ยึดตามใบรับรองฯ เท่านั้น

๖.๒ ในขั้นตอนการตรวจรับพัสดุที่จัดซื้อ หากพัสดुरายการใดเป็นพัสดุที่ไม่ได้รับการรับรอง ตามกระบวนการ PEA Product Acceptance ให้คณะกรรมการตรวจรับฯ ดำเนินการตรวจรับพัสดุดังกล่าว ตามขั้นตอน และวิธีการตรวจรับพัสดุของ การไฟฟ้าส่วนภูมิภาคที่บังคับใช้อยู่ ณ ปัจจุบัน

ทั้งนี้ หากพัสดुरายการใดได้รับการรับรองตามกระบวนการ PEA Product Acceptance ที่ยังไม่หมดอายุ การรับรองให้คณะกรรมการตรวจรับฯ ใช้เอกสารผลการทดสอบคุณภาพผลิตภัณฑ์จากผู้ผลิต และ Product DNA (เอกสารที่ช่วยในการตรวจสอบและคัดกรองผลิตภัณฑ์ในเบื้องต้น ซึ่งประกอบด้วยข้อมูล Type test และ รูปภาพส่วนประกอบต่างๆ ของผลิตภัณฑ์) เพื่อประกอบการตรวจรับพัสดุดังกล่าว โดยไม่ต้องสุ่มทดสอบอีก

๖.๓ ผู้ชนะการเสนอราคา หรือ คู่สัญญา จะต้องยื่นเอกสารแผนการผลิตและการควบคุม คุณภาพการผลิตให้ การไฟฟ้าส่วนภูมิภาค ซึ่งการไฟฟ้าส่วนภูมิภาคขอสงวนสิทธิ์ในการเข้าตรวจสอบในขั้นตอน การผลิต (In Process) หรือให้ผู้แทน รวมถึงหน่วยตรวจประเมินที่การไฟฟ้าส่วนภูมิภาค ให้การรับรองเข้า ดำเนินการดังกล่าว โดยค่าใช้จ่ายที่เกิดขึ้นเป็นของการไฟฟ้าส่วนภูมิภาค หากต้องการตรวจสอบซ้ำเนื่องจาก การตรวจสอบครั้งแรกไม่เป็นไปตามเงื่อนไข หรือหลักเกณฑ์ที่ การไฟฟ้าส่วนภูมิภาคกำหนด ผู้ชนะการเสนอ ราคา หรือ คู่สัญญาต้องเป็นผู้รับผิดชอบค่าใช้จ่ายที่เกิดขึ้นทั้งหมด

ข้อ ๗ กรณีผู้ยื่นข้อเสนอ เสนอผลิตภัณฑ์ที่เป็นเซอร์กิตเบรกเกอร์ สวิตช์ และอุปกรณ์ตัดตอนในระบบ จำหน่าย ผู้ยื่นข้อเสนอจะต้องดำเนินการ ดังนี้

๗.๑ เซอร์กิตเบรกเกอร์ ที่จะจัดซื้อตั้งแต่ระบบ 22 kV ขึ้นไป จะต้องมีความสมบัติเป็นไปตาม รายละเอียดสเปค (Specifications) ของการไฟฟ้าส่วนภูมิภาค และต้องมีคุณสมบัติข้อใดข้อหนึ่ง ดังนี้

๗.๑.๑ ผลิตโดยผู้ผลิตที่มีประสบการณ์ในการผลิตอุปกรณ์ประเภทดังกล่าวมาแล้ว ไม่น้อยกว่า ๓ ปี และต้องเคยติดตั้งใช้งานโดยไม่มีปัญหาในสถานีไฟฟ้าของภาครัฐ และหรือเอกชนในประเทศที่ เชื่อมถือได้ มาแล้วไม่น้อยกว่า ๑ แห่ง โดยกรณีนี้ ผู้ยื่นข้อเสนอ จะต้องยื่นเอกสารแสดงประวัติการขาย (Reference List) หรือ หนังสือรับรองจากลูกค้า มาพร้อมกับการยื่นข้อเสนอ หรือ

๗.๑.๒ เป็นผลิตภัณฑ์ที่ผ่านการขึ้นทะเบียนกับการไฟฟ้าส่วนภูมิภาคแล้ว ได้แก่ การ ขึ้นทะเบียน PEA Product Acceptance หรือ PEA Product list หรือการขึ้นทะเบียนอื่นๆ ที่ การไฟฟ้าส่วน ภูมิภาคกำหนด โดยกรณีนี้ ผู้ยื่นข้อเสนอ จะต้องยื่นหนังสือรับรองการขึ้นทะเบียนที่ ยังไม่หมดอายุ มาพร้อมกับการ ยื่นข้อเสนอ หรือ

๗.๑.๓ เป็นผลิตภัณฑ์ที่ผ่านการทดลองติดตั้งใช้งานในระบบของการไฟฟ้าส่วน ภูมิภาคสำนักงานใหญ่แล้ว โดยกรณีนี้ ผู้ยื่นข้อเสนอจะต้องยื่นเอกสารรับรองการผ่านการทดลองติดตั้งใช้งาน จากการไฟฟ้าส่วนภูมิภาค มาพร้อมกับการยื่นข้อเสนอ

๗.๒ สวิตช์ และอุปกรณ์ตัดตอนในระบบจำหน่ายที่จะจัดซื้อ ตั้งแต่ระบบ 22 kV ขึ้นไป อันได้แก่ Dropout fuse cutout, Disconnecting switches, Air break switches, Remote controlled switches (SF₆, gas load break switches), Automatic switching equipment for switching power capacitor bank และ Recloser จะต้องมีความสมบัติเป็นไปตามรายละเอียดสเปค (Specifications) ของการไฟฟ้าส่วนภูมิภาค และต้องมีคุณสมบัติข้อใดข้อหนึ่ง ดังนี้

๗.๒.๑ ผลิตโดยผู้ผลิตที่มีประสบการณ์ในการผลิตอุปกรณ์ประเภทดังกล่าวมาแล้ว ไม่น้อยกว่า ๓ ปี และต้องเคยติดตั้งใช้งานในระบบจำหน่ายมาแล้วไม่น้อยกว่า ๔๐๐ ชุด โดยกรณีนี้ ผู้ยื่นข้อเสนอ จะต้องยื่นเอกสารแสดงประวัติการขาย (Reference List) หรือ หนังสือรับรองจากลูกค้า มาพร้อมกับการยื่นข้อเสนอ หรือ

๗.๒.๒ เป็นผลิตภัณฑ์ที่ผ่านการขึ้นทะเบียนกับการไฟฟ้าส่วนภูมิภาคแล้ว ได้แก่ การขึ้นทะเบียน PEA Product Acceptance หรือ PEA Product List หรือการขึ้นทะเบียนอื่นๆ ที่การไฟฟ้าส่วนภูมิภาคกำหนด โดยกรณีนี้ ผู้ยื่นข้อเสนอ จะต้องยื่นหนังสือรับรองการขึ้นทะเบียนที่ยังไม่หมดอายุ มาพร้อมกับการยื่นข้อเสนอ หรือ

๗.๒.๓ เป็นผลิตภัณฑ์ที่ผ่านการทดลองติดตั้งใช้งานในระบบของการไฟฟ้าส่วนภูมิภาคสำนักงานใหญ่แล้ว โดยกรณีนี้ ผู้ยื่นข้อเสนอจะต้องยื่นเอกสารรับรองการผ่านการทดลองติดตั้งใช้งานจากการไฟฟ้าส่วนภูมิภาคมาพร้อมกับการยื่นข้อเสนอ

๗.๓ ผู้ยื่นข้อเสนอสามารถเสนอขายเซอร์กิตเบรกเกอร์ สวิตช์หรืออุปกรณ์ตัดตอนในระบบจำหน่าย จากผู้ผลิตที่ไม่มีคุณสมบัติตามที่ระบุไว้ในข้อ ๗.๑ หรือ ๗.๒ ดังกล่าวได้ แต่ต้องเป็นผู้ที่ผลิตภายใต้ใบอนุญาต (License) และจะต้องประทับตราเครื่องหมายการค้า (Brand-Name or Trade-mark) เดิมของผู้ให้ใบอนุญาตบนพัสต โดยผู้ให้ใบอนุญาต (Licensor) จะต้องมีคุณสมบัติตามข้อ ๗.๑.๑ หรือ ๗.๒.๑ แล้วแต่กรณี

โดยกรณีนี้ผู้ผลิตภายใต้ใบอนุญาตจะต้องทำการทดสอบเฉพาะแบบ (Design or Type tests) เซอร์กิตเบรกเกอร์ สวิตช์ หรืออุปกรณ์ตัดตอนในระบบจำหน่ายตามมาตรฐานที่กำหนดไว้ในรายละเอียดสเปค (Specification) ใหม่ทั้งหมด

ทั้งนี้ ผู้ยื่นข้อเสนอต้องยื่นใบอนุญาต (License) ที่ยังไม่หมดอายุ มาพร้อมกับเอกสารแสดงประวัติการขาย (Reference List) หรือ หนังสือรับรองจากลูกค้า ของผู้ให้ใบอนุญาต (Licensor) มาพร้อมกับการยื่นข้อเสนอ

๗.๔ หากผู้ยื่นข้อเสนอ เสนอรายละเอียดไม่เป็นไปตามข้อ ๗.๑, ๗.๒ และ ๗.๓ ข้างต้น การไฟฟ้าส่วนภูมิภาคสงวนสิทธิที่จะไม่จัดซื้อ

ข้อ ๘ กรณีที่อุปกรณ์ไฟฟ้าหลักสำหรับติดตั้งใช้งานในระบบสายส่ง 115 kV และระบบจำหน่าย 22 kV และ 33 kV อันได้แก่ หม้อแปลงไฟฟ้า รีโคลสเซอร์ เซอร์กิตเบรกเกอร์ อุปกรณ์ป้องกัน สวิตช์ อุปกรณ์ตัดตอน ลูกถ้วยไฟฟ้า สายไฟฟ้า หม้อแปลงกระแส (Current transformers) หม้อแปลงแรงดัน (Voltage transformers) รวมถึงมิเตอร์จานหมุนชนิด ๑ เฟส และ ๓ เฟสสำหรับวัดพลังงานไฟฟ้า ผลิตภัณฑ์ใดก็ตามที่การไฟฟ้าส่วนภูมิภาค จัดซื้อในแต่ละสัญญา และติดตั้งใช้งานภายในระยะเวลา ๒ ปี นับจากวันที่ การไฟฟ้าส่วนภูมิภาค มีหนังสือแจ้งผลการตรวจรับงวดสุดท้าย หรือภายในระยะเวลาอื่นตามที่รายละเอียดสเปค (Specification) กำหนด มีสถิติการชำรุดอันเนื่องมาจากคุณภาพของผลิตภัณฑ์ เกินกว่าเกณฑ์ที่กำหนดไว้ในรายละเอียดสเปค (Specification) หรือกำหนดไว้ในเงื่อนไขข้ออื่นๆ ในขอบเขตของงาน (TOR) หรือกำหนดไว้ในสัญญาจัดซื้อ การไฟฟ้าส่วนภูมิภาคจะตัดสิทธิการเสนอราคาผลิตภัณฑ์ดังกล่าว และจะไม่จัดซื้อเป็นการชั่วคราว ทั้งในระหว่างการพิจารณาจัดซื้อ และที่จะประกาศจัดซื้อใหม่จนกว่าผู้ผลิตหรือ ผู้แทนจำหน่ายผลิตภัณฑ์นั้นๆ จะส่งแผนการปรับปรุงคุณภาพผลิตภัณฑ์ และดำเนินการแก้ไขให้เป็นที่ยอมรับจาก การไฟฟ้าส่วนภูมิภาคแล้ว

และต้องพินกำหนดระยะเวลา ๒ เดือน นับจากวันที่ การไฟฟ้าส่วนภูมิภาค มีหนังสือแจ้งตัดสิทธิการเสนอราคาผลิตภัณฑ์ดังกล่าวด้วย

ทั้งนี้ เงื่อนไขดังกล่าวจะไม่มีผลใช้บังคับย้อนหลังไปถึงการจัดซื้อที่ยังไม่มีเงื่อนไขกำหนดไว้

ข้อ ๙ ผู้ชนะการเสนอราคาจะต้องแจ้งกำหนดวันส่งมอบพัสดุเป็นลายลักษณ์อักษรให้หน่วยงานจัดซื้อและ/หรือ หน่วยงานที่จัดตั้งส่งของการไฟฟ้าส่วนภูมิภาคทราบล่วงหน้าไม่น้อยกว่า ๓ วันทำการ เพื่อที่จะได้กำหนดนัดวันตรวจรับต่อไปและจะต้องส่งมอบพัสดุระหว่างเวลา ๐๘.๓๐ น. ถึง ๑๒.๐๐ น. ของวันที่ทำการส่งมอบด้วย

ข้อ ๑๐ การตรวจสอบสภาพด้านทานของสายอลูมิเนียมหุ้มฉนวน การไฟฟ้าส่วนภูมิภาคได้กำหนดแนวปฏิบัติ สำหรับการทดสอบสภาพด้านทานของสายอลูมิเนียมตีเกลียวหุ้มฉนวน ตาม มอก. ๒๙๓ ฉบับล่าสุด ดังนี้

๑๐.๑ การชักตัวอย่าง

คณะกรรมการตรวจรับการไฟฟ้าส่วนภูมิภาคจะสุ่มตัวอย่างสายไฟฟ้าที่ผลิตเสร็จเรียบร้อยแล้ว (ตีเกลียวและหุ้มฉนวนแล้ว) และนำตัวอย่างมาทดสอบคุณสมบัติต่างๆ รวมทั้งการทดสอบสภาพด้านทานของสายไฟฟ้าด้วย ตามที่การไฟฟ้าส่วนภูมิภาคกำหนด

๑๐.๒ วิธีการทดสอบสภาพด้านทาน วิธีการทดสอบสภาพด้านทานเป็นไปตาม มอก. ๘๕ ฉบับล่าสุด โดยนำเฉพาะลวดตัวนำเส้นกลางมาหาค่าสภาพด้านทาน โดยวัดความต้านทานที่ อุณหภูมิห้อง แล้วปรับเป็นค่าที่อุณหภูมิ ๒๐ องศาเซลเซียส โดยวิธีการตาม มอก. กำหนด เพื่อนำไปคำนวณค่าสภาพด้านทานต่อไป

๑๐.๓ เกณฑ์ตัดสิน สายลวดอลูมิเนียมตีเกลียวจะถือว่าผ่านการทดสอบนี้ เมื่อมีค่าสภาพด้านทานไม่เกิน ค่าตามที่ มอก.๒๙๓ ฉบับล่าสุดกำหนดไว้

ข้อ ๑๑ พักติที่การไฟฟ้าส่วนภูมิภาคกำหนดให้มีการทดสอบเพื่อการตรวจรับในหัวข้อที่เป็นการทดสอบแบบทำลาย จนพัสดุไม่สามารถนำกลับมาใช้งานได้ คู่สัญญาจะต้องนำพัสดุใหม่มาทดแทนเพื่อให้ครบจำนวนตามที่ระบุไว้ในสัญญาก่อนการไฟฟ้าส่วนภูมิภาครับมอบพัสดุไว้ใช้งาน โดยการไฟฟ้าส่วนภูมิภาคจะมีหนังสือแจ้งให้ส่งของมาทดแทน ภายใน ๕ วันทำการนับจากวันที่ได้รับหนังสือแจ้ง หากคู่สัญญาไม่นำมาทดแทนภายในเวลาที่กำหนด การไฟฟ้าส่วนภูมิภาคจะคิดค่าปรับกรณีส่งของล่าช้าในอัตราร้อยละ ๐.๒๐ ของมูลค่าพัสดุที่นำมาทดแทน และผู้ขายต้องรับพัสดุที่ทดสอบแล้วชำระคืนกลับไป ภายใน ๓๐ วัน หลังจากได้นำพัสดุมาทดแทนให้การไฟฟ้าส่วนภูมิภาคแล้ว หากผู้ขายไม่ประสงค์จะรับพัสดุนั้นให้ทำหนังสือแจ้งการไฟฟ้าส่วนภูมิภาคทราบเพื่อที่จะดำเนินการต่อไป

ข้อ ๑๒ การชำระราคาพัสดุที่ตกลงซื้อขายกันการไฟฟ้าส่วนภูมิภาคจะชำระภายในเวลา ๓๐ วัน นับถัดจากวันที่การไฟฟ้าส่วนภูมิภาคได้ทำการตรวจรับพัสดุที่คู่สัญญาส่งมอบถูกต้องเรียบร้อยแล้วในแต่ละงวด และห้ามคู่สัญญาโอนสิทธิเรียกร้องการรับเงินให้กับบุคคลภายนอก

ข้อ ๑๓ ผู้ชนะการเสนอราคาจะต้องรับประกันความชำรุดบกพร่องอันเนื่องมาจากการใช้งานตามปกติของพัสดุเป็นเวลาไม่น้อยกว่า ๑ ปี นับถัดจากวันที่การไฟฟ้าส่วนภูมิภาคได้รับมอบแล้ว เว้นแต่

๑๓.๑ ปูนซีเมนต์ปอร์ตแลนด์ประเภทเกิดแรงสูงเร็ว ต้องรับประกันคุณภาพเป็นเวลาไม่น้อยกว่า ๓๐ วัน นับถัดจากวันที่การไฟฟ้าส่วนภูมิภาคได้รับมอบแล้ว

๑๓.๒ พักติประเภทดังต่อไปนี้ต้องรับประกันคุณภาพเป็นเวลาไม่น้อยกว่า ๓ ปี เว้นแต่รายละเอียดสเปค (Specification) กำหนดระยะเวลารับประกันคุณภาพไว้มากกว่า ๓ ปี นับถัดจากวันที่การไฟฟ้าส่วนภูมิภาคได้รับมอบแล้ว ให้ถือระยะเวลารับประกันคุณภาพที่กำหนดไว้ในรายละเอียดสเปค

-On-load tap-changing power transformers for 115 kV subtransmission substation

- Three-phase automatic voltage regulators (AVR) for 22 kV and 33 kV 50 Hz distribution System
- Single-phase and Three-phase transformers for 22 kV and 33 KV 50 Hz distribution system with and without ability to withstand short circuit
- Remote controlled switches for 22 kV and 33 kV 50 Hz distribution system
- Solid dielectric three-phase automatic reclosers for 22 kV and 33 kV 50 Hz distribution System
- Automatic switching equipment for HV power capacitor Bank
- Single-phase and Three-phase electromechanica and electronic energy meters

๑๓.๓ พีสตที่จะจัดซื้อเป็น Porcelain cable spacer with grip locks and High-Density Polyethylene (HDPE) cable spacers and snap-tie ต้องรับประกันคุณภาพเป็นเวลาไม่น้อยกว่า ๕ ปี นับถึงวันที่การไฟฟ้าส่วนภูมิภาคได้รับมอบแล้ว

ถ้าพีสตเกิดความบกพร่องเนื่องจากวัสดุและหรือฝีมือไม่ดี ต้องรีบจัดการแก้ไขหรือเปลี่ยนใหม่ให้เรียบร้อยโดยไม่คิดมูลค่า ภายใน ๓๐ วัน นับถัดจากวันที่ได้รับแจ้งจากการไฟฟ้าส่วนภูมิภาค และหากความบกพร่องดังกล่าวเป็นเหตุให้เกิดความเสียหายหรือเกิดอุบัติเหตุใดๆขึ้น ผู้ชนะการเสนอราคาจะต้องรับผิดชอบใช้ค่าเสียหายทั้งหมด ตามข้อกำหนดทั่วไป และ/หรือรายละเอียดสเปค (Specification) จะกำหนดไว้ โดยไม่มีข้อโต้แย้งใดๆ

ในกรณีที่ผู้ชนะการเสนอการารับพีสตไปแก้ไข หรือการไฟฟ้าส่วนภูมิภาคส่งมอบพีสตให้ผู้ชนะการเสนอราคาไปดำเนินการแก้ไข และผู้ชนะการเสนอการาส่งมอบพีสตที่แก้ไขแล้วคืนเกินกำหนดเวลา ๓๐ วัน ผู้ชนะการเสนอราคาต้องขยายกำหนดเวลารับประกันความชำรุดบกพร่องเท่ากับจำนวนวันที่เกินจากกำหนด ๓๐ วัน โดยนับต่อจากวันครบกำหนดเวลารับประกันเดิม สำหรับกรณีที่แก้ไขแล้วเสร็จพ้นกำหนดเวลารับประกัน ให้ขยายกำหนดตามจำนวนวันที่เกินจากกำหนด ๓๐ วัน โดยนับต่อจากวันส่งมอบพีสตที่แก้ไขเสร็จเรียบร้อย แล้วแต่กรณี และยอมให้การไฟฟ้าส่วนภูมิภาคปรับเป็นรายวันในอัตรา ร้อยละ ๐.๐๕๑๐๙ ของราคาพีสตรวมภาษีมูลค่าเพิ่ม ที่แก้ไขเกินกำหนด

ข้อ ๑๔ โครงการจัดซื้อจัดจ้างที่มีวงเงินตั้งแต่ ๕๐๐ ล้านบาทขึ้นไป รวมถึงการจัดซื้อจัดจ้างแบบเป็นกลุ่มประกวดราคา (Bid Group) ที่มีวงเงินตั้งแต่ ๕๐๐ ล้านบาทขึ้นไป (ตามประกาศคณะกรรมการความร่วมมือป้องกันการทุจริต เรื่อง มาตรฐานขั้นต่ำของนโยบายและแนวทางป้องกันการทุจริตในการจัดซื้อจัดจ้างที่ผู้ประกอบการ ต้องจัดให้มี ตามมาตรา ๑๙ แห่งพระราชบัญญัติการจัดซื้อจัดจ้างและการบริหารพัสดุภาครัฐ พ.ศ. ๒๕๖๐) ผู้เข้าร่วมการเสนอราคาจะต้องมีนโยบายและแนวทางการป้องกันการทุจริตในการจัดซื้อจัดจ้างพร้อมทั้ง ต้องแนบเอกสารหลักฐาน และแบบตรวจสอบข้อมูลของผู้ประกอบการที่จะเข้าร่วมการเสนอราคาในโครงการที่มีวงเงินตั้งแต่ ๕๐๐ ล้านบาทขึ้นไป ประกอบเป็นเอกสารการเสนอราคา โดยผู้ประกอบการจะต้องมีการดำเนินการตามแบบตรวจสอบข้อมูลครบถ้วนทุกข้อจึงจะผ่านการพิจารณาคุณสมบัติของ ผู้เสนอราคา

ทั้งนี้เงื่อนไขตามข้อ ๑๔ ดังกล่าวจะเริ่มใช้ตั้งแต่วันที่ ๕ กุมภาพันธ์ ๒๕๖๒ เป็นต้นไป

ข้อ ๑๕ โครงการจัดซื้อจัดจ้างที่มีวงเงินตั้งแต่ ๑,๐๐๐ ล้านบาทขึ้นไป จะต้องดำเนินการตามประกาศคณะกรรมการความร่วมมือป้องกันการทุจริต (ค.ป.ท.) เรื่องแนวทางและวิธีการในการดำเนินงานโครงการความร่วมมือป้องกันการทุจริตในการจัดซื้อจัดจ้างภาครัฐ แบบของข้อตกลงคุณธรรม การคัดเลือกผู้สังเกตการณ์ และการจัดทำรายงานตามมาตรา ๑๗ และ มาตรา ๑๘ แห่งพระราชบัญญัติการจัดซื้อจัดจ้างและการบริหารพัสดุภาครัฐ พ.ศ. ๒๕๖๐ และได้รับ คัดเลือก จากคณะกรรมการความร่วมมือป้องกันการทุจริต (ค.ป.ท.) ให้จัดทำข้อตกลงคุณธรรม (integrity pact :iP)

ผู้ประสงค์จะเข้าร่วมการเสนอราคาในโครงการจัดทำข้อตกลงคุณธรรมจะต้องลงนามในข้อตกลงคุณธรรมซึ่งเป็นเอกสารที่ยื่นพร้อมกับเอกสารเสนอราคา หากไม่ลงนามในข้อตกลงคุณธรรมจะไม่มีสิทธิเข้าร่วมการเสนอราคาในโครงการนั้น

รายละเอียดเพิ่มเติมการจัดซื้อหม้อแปลงไฟฟ้าระบบจำหน่าย

ผู้ที่ได้รับการสั่งซื้อ จะต้องยินยอมให้การไฟฟ้าส่วนภูมิภาคตรวจสอบการผลิตและการทดสอบหม้อแปลงไฟฟ้าระบบจำหน่ายที่ผลิตภายในประเทศ โดยมีรายละเอียดและขั้นตอนที่ผู้ได้รับการสั่งซื้อต้องปฏิบัติ ดังนี้

๑. กำหนดให้เป็นหน้าที่ของผู้ชนะการเสนอราคา ที่จะต้องจัดให้คณะกรรมการตรวจสอบการผลิตและการทดสอบ เข้าตรวจสอบการผลิตหม้อแปลงระบบจำหน่ายใน Lot ที่จะส่งมอบต่อการไฟฟ้าส่วนภูมิภาคชั้นหนึ่งก่อน เพื่อคณะกรรมการจะได้กลิ่นรอกคุณภาพในขั้นต้น ซึ่งหากพบข้อบกพร่องที่จะต้องแก้ไข ก็จะได้แก้ไขได้โดยง่าย เพราะยังอยู่ในระหว่างการผลิต

๒. คณะกรรมการตรวจสอบการผลิตและการทดสอบมีอำนาจที่จะสั่งให้ ผู้ชนะการเสนอราคาหรือผู้ผลิตแก้ไขข้อบกพร่องได้ทันทีที่พบข้อบกพร่องในขณะตรวจสอบการผลิตและการทดสอบ โดยแจ้งให้ผู้ชนะการเสนอราคาทราบเพื่อดำเนินการแก้ไข

๓. ชนิดหม้อแปลงที่จะตรวจสอบ รายละเอียดการตรวจสอบการผลิต และการทดสอบ

๓.๑ ชนิดหม้อแปลง ก. หม้อแปลงไฟฟ้า ๑ เฟส ระบบ ๑๙ เควี

ข. หม้อแปลงไฟฟ้า ๑ เฟส ระบบ ๒๒ เควี

ค. หม้อแปลงไฟฟ้า ๓ เฟส ระบบ ๒๒ เควี

ง. หม้อแปลงไฟฟ้า ๓ เฟส ระบบ ๓๓ เควี

๓.๒ รายละเอียดการตรวจสอบ สายการผลิตและการทดสอบ

ก. ตรวจสอบวัตถุดิบ (Material) ที่นำเข้าไปในสายการผลิตของอุปกรณ์หลักๆ ให้เป็นไปตามสัญญา ดังนี้

- Bushing
- Terminal connectors
- Magnetic path (core)
- Copper
- Tap changer
- Transformer oil

ข. ตรวจสอบกรรมวิธีการผลิต (Process) ให้เป็นไปตามมาตรฐาน หรือสัญญา ดังนี้

- Transformer tank
- Coil forming (การพันขดลวด)
- Core forming (การประกอบแกนเหล็ก)

ค. ตรวจสอบการทดสอบรายการ Routine tests ให้เป็นไปตามมาตรฐาน โดยการสุ่มตัวอย่างหม้อแปลง เพื่อดำเนินการทดสอบตามหลักเกณฑ์ที่การไฟฟ้าส่วนภูมิภาคกำหนด

ง. ตรวจสอบการทดสอบรายการ Type test (ยกเว้นรายการทดสอบ Temperature rise test) ให้เป็นไปตามมาตรฐานที่กำหนด ส่วนการทดสอบ Temperature rise test เนื่องจากต้องใช้เวลาในการทดสอบเป็นเวลานาน ไม่อาจจะ witness ที่โรงงานของผู้ผลิตได้ ให้ดำเนินการสุ่มตัวอย่างหม้อแปลงจำนวน ๑ ตัวอย่าง ของแต่ละแบบขนาดระบบแรงดันในแต่ละสัญญามาทดสอบที่ การไฟฟ้าส่วนภูมิภาค

๔. กรณีผู้ชนะการเสนอราคาไม่ได้จัดให้คณะกรรมการตรวจสอบการผลิตและการทดสอบเข้าตรวจสอบการผลิตขั้นต้นก่อนส่งมอบใน Lot ใด หรือไม่ยอมแก้ไขข้อบกพร่องตามที่คณะกรรมการฯ แจ้งให้แก้ไข คณะกรรมการตรวจรับพัสดุ สงวนสิทธิ์ที่จะปฏิเสธการรับหม้อแปลง Lot นั้นๆ ได้

๕. การตรวจสอบในขั้นต้นของคณะกรรมการตรวจสอบการผลิตและการทดสอบ นั้น จะไม่ถือว่าเป็นการตรวจรับ หม้อแปลงใน Lot นั้นๆ จนกว่าจะมีการส่งมอบและตรวจรับของตามสัญญาอย่างถูกต้อง โดยให้ผู้ส่งมอบหม้อแปลงที่จะทดสอบในการตรวจรับ ให้คณะกรรมการตรวจรับด้วย

๖. คณะกรรมการตรวจสอบการผลิตและการทดสอบ มีสิทธิ์เลือกสุ่ม หรือนำหม้อแปลงที่อยู่ระหว่างการผลิตมาทดสอบ และหากหม้อแปลงนั้นต้องชำรุดหรือเสียหายจากการทดสอบคุณภาพ ผู้ผลิตจะต้องไม่เรียกค่าเสียหายใดๆ ทั้งสิ้น

๗. ความล่าช้าอันเนื่องมาจากเหตุตามข้อ ๔ ผู้ชนะการเสนอราคาจะถือเป็นเหตุยกเว้นความรับผิดชอบในการส่งมอบหม้อแปลงตามกำหนดเวลาในสัญญา มิได้

๘. เพื่อขจัดปัญหาข้อขัดแย้งเกี่ยวกับคุณภาพการผลิตและการทดสอบ ซึ่งอาจเกิดขึ้นระหว่างคณะกรรมการฯ กับผู้ชนะการเสนอราคา ให้ถือผลการทดสอบของ กองหม้อแปลง การไฟฟ้าส่วนภูมิภาค เป็นข้อยุติ