



PROVINCIAL ELECTRICITY AUTHORITY

TECHNICAL SPECIFICATION DIVISION

SINGLE-PHASE TRANSFORMERS FOR 22 kV and 33 kV 50 Hz DISTRIBUTION SYSTEMS

WITH ABILITY TO WITHSTAND SHORT CIRCUIT

Specification No. RTRN-047/2561

Approved date : 7/08/2019

Rev. No. : 2

Form No.

Page 1 of 1

เอกสารเพิ่มเติมแนบท้ายรายละเอียดสเปค (ADDENDUM)

เอกสารเพิ่มเติมแนบท้ายรายละเอียดสเปค (ADDENDUM) นี้ให้ถือเป็นส่วนหนึ่งของสเปคอ้างอิงเลขที่ RTRN-047/2561

1. การกำหนดวิธีการทดสอบ lightning impulse test

กำหนดเพิ่ม NOTE ดังต่อไปนี้ท้ายหัวข้อ 1e.2.2 Test procedure of Type test and Short-circuit withstand test ข้อ (3)

NOTE

For the lightning impulse test on the LV windings ($U_m \leq 1.1$ kV), PEA will also accept the test that applied an impulses to all the LV terminals (including the LV neutral) connected together with the higher voltage terminals earthed.

2. การกำหนดมาตรฐานของ HV Bushing

กำหนดมาตรฐานของ HV Bushing ในหัวข้อ 1b Standards ดังต่อไปนี้

HV bushings shall be in accordance with the DIN 42531 or other standards which conform to PEA's requirement as specified in 1c.9 Bushings.

หมายเหตุ วิธีการทดสอบ lightning impulse test ตามข้อ 1. กำหนดขึ้นโดยได้รับอนุมัติจาก กฟภ. แล้ว
ตามอนุมัติ รผก.(วศ) ลงวันที่ 29 เมษายน 2562



PROVINCIAL ELECTRICITY AUTHORITY

TECHNICAL SPECIFICATION DIVISION

**SINGLE-PHASE TRANSFORMERS FOR 22 kV and 33 kV 50 Hz DISTRIBUTION SYSTEMS
WITH ABILITY TO WITHSTAND SHORT CIRCUIT**

Specification No. RTRN-047/2561

Approved date : 26/09/2561

Rev. No.: 1

Form No. -

Page 1 of 28

Invitation to Bid No: ๓.3กบย.(จช.)e-bidding023/2563

C Material, equipment, and specifications for SINGLE-PHASE TRANSFORMERS FOR 22 kV and 33 kV 50 Hz DISTRIBUTION SYSTEMS WITH ABILITY TO WITHSTAND SHORT CIRCUIT

C1 General material and packing instructions

Additional to the general instructions, the following shall be observed:

1a Scope

These specifications cover single-phase transformers, oil-immersed, natural self-cooled, power 30 kVA, designed and constructed to withstand without damage the thermal and dynamic effects of external short circuits, suitable for outdoor installation on 22 kV and 33 kV 50 Hz distribution systems (33 kV distribution system is 19/33 Y kV multi-ground system) .

1b Standards

The transformers shall be manufactured and tested in accordance with the following standards:

Thailand Industrial Standard (TIS)

TIS 384: 2543 Power Transformers

International Electrotechnical Commission (IEC)

IEC 60076-1:2011 Power transformers – Part 1: General

IEC 60076-2:2011 Power transformers – Part 2: Temperature rise for liquid-immersed transformers

IEC 60076-3:2013 Power transformers – Part 3: Insulation levels, dielectric tests and external clearances in air

IEC 60076-5:2006 Power transformers – Part 5: Ability to withstand short circuit

IEC 60296: 2012 Fluids for electrotechnical applications – Unused mineral insulating oils for Transformers and switchgear

International Organization for Standardization

ISO 12944-5:2007 Paints and varnishes - Corrosion protection of steel structures by protective paint systems - Part 5: Protective paint systems

LV bushings shall be in accordance with the DIN 42530. HV bushings shall be in accordance with the DIN 42531.

And all other relevant standards, unless otherwise specified in these specifications.



PROVINCIAL ELECTRICITY AUTHORITY

TECHNICAL SPECIFICATION DIVISION

SINGLE-PHASE TRANSFORMERS FOR 22 kV and 33 kV 50 Hz DISTRIBUTION SYSTEMS WITH ABILITY TO WITHSTAND SHORT CIRCUIT

Specification No. RTRN-047/2561

Approved date : 26/09/2561

Rev. No.: 1

Form No. -

Page 2 of 28

PEA will accept the transformers and accessories tested in accordance with the later edition of the above standards.

PEA will also accept the type test report in accordance with the previous edition of the above standards, if there is no significant change in any test items or no additional test item(s) compared with the above standards. On the other hand, if there is significant change in any test items or there are any additional test items, the previous edition type test report with the additional test report(s) of the significant change test item(s) and/or additional test item(s) will be also accepted.

1c Principal requirement

1c.1 Service condition and installation

The transformers shall be designed and constructed for outdoor installation on concrete poles and operation under the following conditions:

Altitude	: up to 1,000 m above sea level
Ambient air temperature	: 50°C, maximum
	: 40°C, monthly average, of the hottest month
Relative humidity	: up to 94 %
Climate condition	: tropical climate

1c.2 Rating

1. Rated power

The rated power, on continuous operation, shall be 30 kVA.

2. Rated voltage

The rated voltage of windings is given in **Table 1**.

Table 1 Rated voltage

Rated Primary Voltage	Rated Secondary Voltage
22 kV, 19 kV	480/240 V

3. Rated frequency: 50 Hz

1c.3 Core and winding

The transformer cores shall be according to manufacturer's standard.

HV and LV windings of transformers shall be made of copper.

SINGLE-PHASE TRANSFORMERS FOR 22 kV and 33 kV 50 Hz DISTRIBUTION SYSTEMS
WITH ABILITY TO WITHSTAND SHORT CIRCUIT

Specification No. RTRN-047/2561

Approved date : 26/09/2561

Rev. No.: 1

Form No. -

Page 3 of 28

1c.4 Tappings

The primary windings of transformers shall be provided with full capacity of off-circuit tap changer. The tap changer shall be immersed in oil with externally-operated handle.

Tapping range: $\pm 2 \times 2.5\%$ of rated primary voltage

The externally-operated off-circuit tap changer shall be designed for de-energized operation with the operating handle brought out through the wall of the tank. The operating handle shall be fixed to the tank wall on the dividing line between segment 2 and 3, with a tolerance of ± 45 degrees as shown in **Figure 1**.

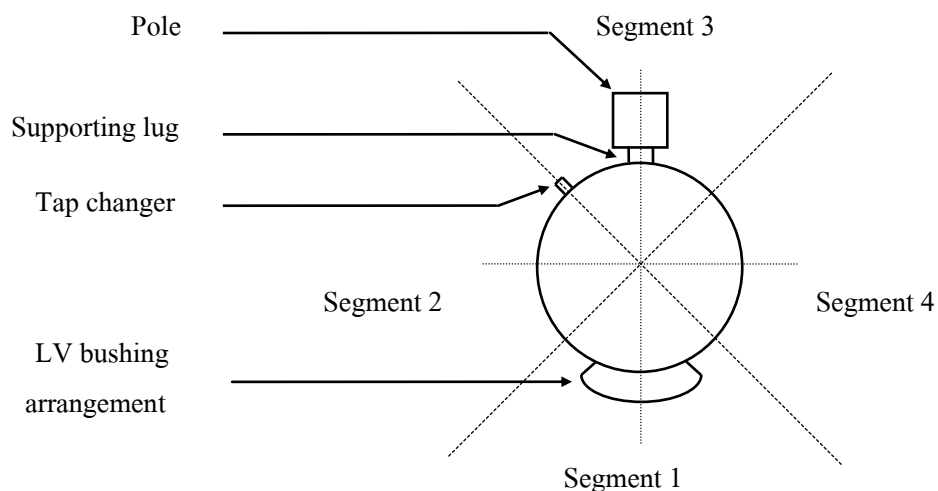


Figure 1 The externally-operated off-circuit tap changer

The tap changer shall have a locking device to prevent improper use. The operating handle shall be rotated in clockwise direction from a high tap voltage to a lower tap voltage. The tap changer shall be provided with stops to identify the highest and lowest tap position. The tap changer positions shall be identified by the numbers in sequence. The number “1” shall be designated to the highest tap voltage. Consequently the number “5” indicates the lowest tap voltage. These identifications shall be in perfect correspondence to those indicated in the connection diagram on the nameplate. All five positions of the tap changer shall be operative positions.

The tap positions shall be indelibly marked with weather-proof paint and in a colour which shall present distinctive contrast to the surrounding material.

The operating handle of tap changer shall be made by non-corrosion metal. Plastic is not acceptable.

1c.5 Polarity: subtractive



PROVINCIAL ELECTRICITY AUTHORITY

TECHNICAL SPECIFICATION DIVISION

SINGLE-PHASE TRANSFORMERS FOR 22 kV and 33 kV 50 Hz DISTRIBUTION SYSTEMS WITH ABILITY TO WITHSTAND SHORT CIRCUIT

Specification No. RTRN-047/2561

Approved date : 26/09/2561

Rev. No.: 1

Form No. -

Page 4 of 28

1c.6 Losses and Short-circuit impedance

The specified or guaranteed losses plus positive tolerance, for each transformer unit, shall not be more than the figures in the table below.

Short-circuit impedance shall be measured on the principle tapping of 22 or 33 kV at ambient temperature then corrected to 75°C.

Short-circuit impedance of the offered transformer shall be as specified in the **Table 2** and have tolerance within $\pm 10\%$.

Table 2 Losses and Short-circuit impedance

Transformer Rating kVA	Watt Losses		Per cent Short-circuit impedance at 75°C
	No-load loss for system voltage of :		
	22 kV and 19/33 Y kV		
30	120	430	2.0

1c.7 Limits of temperature-rise, above 50°C ambient temperature

Of top oil : not exceeding 50 K

Of winding : not exceeding 55 K

1c.8 Insulation level

The insulation level of HV windings, LV windings and connected parts of transformers shall be as specified in the **Table 3**.

Table 3 Insulation level

Nominal System Voltage (kV, r.m.s.)	Insulation level	
	Impulse Test Voltage Full Wave (kV, peak)	Power Frequency Test Voltage, 1-min (kV, r.m.s.)
22	125	50
19/33 Y	170	70
0.48/0.24	30	10

Insulation of transformer winding shall be designed uniformly.



PROVINCIAL ELECTRICITY AUTHORITY

TECHNICAL SPECIFICATION DIVISION

SINGLE-PHASE TRANSFORMERS FOR 22 kV and 33 kV 50 Hz DISTRIBUTION SYSTEMS WITH ABILITY TO WITHSTAND SHORT CIRCUIT

Specification No. RTRN-047/2561

Approved date : 26/09/2561

Rev. No.: 1

Form No. -

Page 5 of 28

1c.9 Bushings

1. Number and location

Each 22 kV transformer shall have two (2) high-voltage bushings located on the cover of the tank and four (4) low-voltage bushings located on the side wall of the tank.

Each 19 kV transformer shall have one (1) high-voltage bushing located on the cover of the tank and four (4) low-voltage bushings located on the side wall of the tank.

The HV bushings shall not be completed with the arcing horns.

2. Material

Transformer bushings shall be made of good commercial-grade wet-process porcelain.

The entire porcelain surface of the bushings that will be exposed after assembly shall be glazed.

The colour of the glaze shall be brown.

3. Electrical characteristics

Transformer bushings shall be capable of withstanding the impulse and low-frequency voltage as specified in the **Table 4**.

Table 4 Electrical characteristics

Bushing	Impulse Full Wave (kV, peak)	Low-frequency, 50 Hz (kV, r.m.s.)	
		Dry 1-minute	Wet 10-second
High-voltage bushings for 22 kV system	125	50	50
High-voltage bushings for 19/33 Y kV system	170	70	70
Low-voltage bushings	30	10	10

4. Minimum Clearance

Safety clearance of Transformer bushings shall comply with minimum Clearance Criterion, which measurement between live part to live part or live part to ground shall be as follows.

- At least 225 mm for 22 kV System.
- At least 320 mm for 19/33 kV System.

5. Test report

The bidders have to submit the test report of bushing with the bid in order to confirm the electrical characteristic in **Table 4 Electrical characteristics**, the bidders who cannot submit will be rejected. The test of bushing can be conducted by manufacturer or third party laboratories.



PROVINCIAL ELECTRICITY AUTHORITY

TECHNICAL SPECIFICATION DIVISION

SINGLE-PHASE TRANSFORMERS FOR 22 kV and 33 kV 50 Hz DISTRIBUTION SYSTEMS WITH ABILITY TO WITHSTAND SHORT CIRCUIT

Specification No. RTRN-047/2561

Approved date : 26/09/2561

Rev. No.: 1

Form No. -

Page 6 of 28

1c.10 Terminal connectors

HV bushings shall be equipped with solderless clamp type connectors for aluminium conductor diameter range from 7.5 mm to 12.6 mm (sizes 35-95 mm²).

LV bushings shall be equipped with terminal pad connectors in vertical (stud type connectors are preferable), of high conductivity bronze and hot-tin dipped. The terminal pads shall be drilled in accordance with NEMA Standards (9/16" holes on 1 3/4" centers); each hole shall be furnished with one (1) bolt M 12 x 60 mm (of at least 50 mm thread length), one (1) nut, two (2) flat washers, and one (1) lock washer. The connector shall be provided with mounting hardware of stainless steel or better. The details of terminal pads shall be according to Drawing No. SA4-015/45001.

1c.11 Tank and tank finish

Tank and cover shall be constructed of welded steel plate suitable reinforced. The joints between the tank and cover shall be provided with suitable flanges properly bolted together with gaskets.

Tank cover shall have 90° downward bent edges on all sides to protect the gasket under the top cover from direct exposure to weather.

Gaskets between metal surfaces shall be set in grooves or held in position by retainers so arranged that all parts are bolted metal-to-metal. The gaskets shall be made of resilient material which will not deteriorate under the action of hot oil and will remain oil-tight. Gaskets of such material which can be easily damaged by overpressing are not acceptable.

The transformer tank shall be round or oblique round shape, but round shape is preferable.

The transformer tank shall be furnished with mounting bracket for surge arrester. (Surge arresters shall be supplied by PEA), see Drawing No. SA4-015/50007.

The bidders have to give the transformer's tank dimensions which passed type test in **2a Performance data and guarantee of the single-phase transformer** (Page 25 of 28).

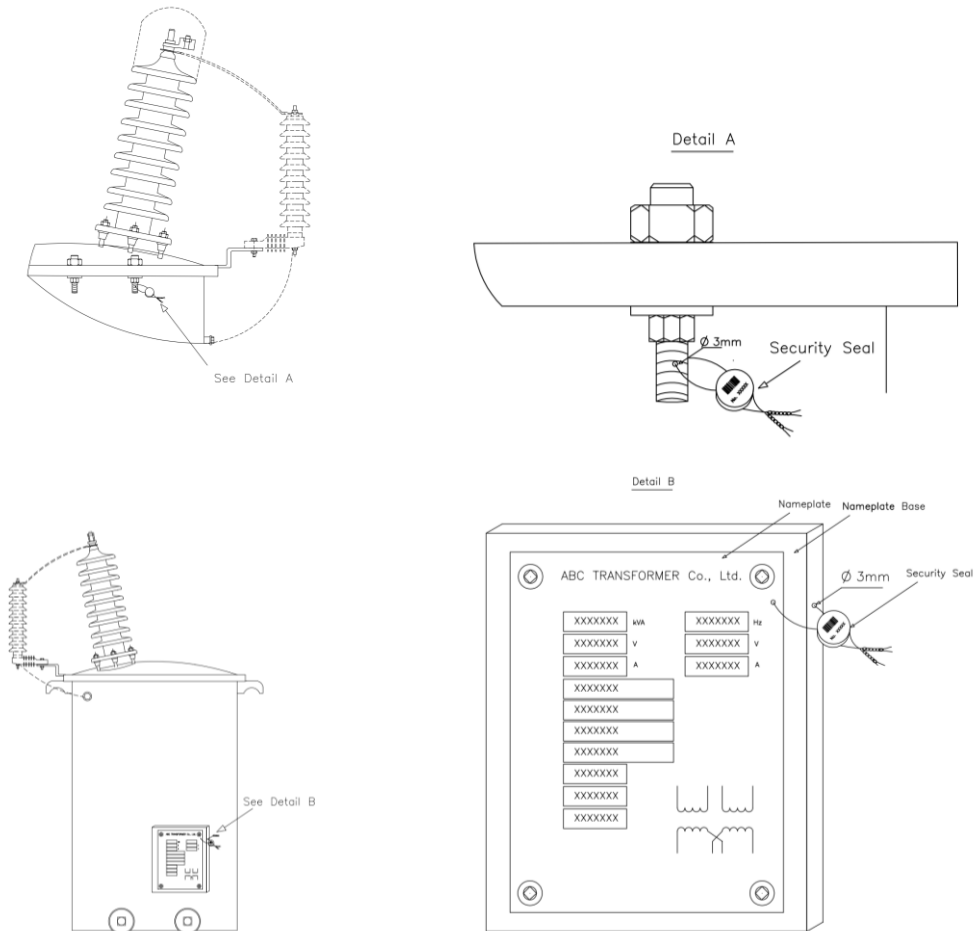
Tolerance of the transformer's tank dimensions for the purposed transformer shall be within ± 3 percent of the declared dimensions which given by the bidders in above information, Otherwise shall be rejected.

The tank shall have rolled edge base and recessed bottom of not less than 20.0 mm in order to facilitate the fixing of bracket for transformer secondary leads, see Drawing No. SA2-015/26028.

The manufacturer's serial number shall be dented on transformer tank cover.

The manufacture shall prepare 3 mm diameter holes for security seals threading. The first position, the hole shall be drilled at the right last bolt which fix tank and cover of transformer and the second position, the hole shall be drilled at the top right of transformer nameplate as **Figure 2**.

The security seals will be installed by PEA after any transformers pass the witness test or acceptance test or others depend on PEA's committee.



Note : The hole shall be drilled by manufacturer and thread with security seal by PEA

Figure 2 Security seal installation

1c.11.1 Painting system

1. Interior surface

Interior surface shall be finished oil resistant paint or vanish.

2. Exterior surface

The painting system will be suitable for an exterior servicing at medium atmospheric-corrosivity category is as C3, and system number is as A.3.09 which is classified as high expected durability (more than 15 years) in accordance with ISO 12944-5 Table A.3.

SINGLE-PHASE TRANSFORMERS FOR 22 kV and 33 kV 50 Hz DISTRIBUTION SYSTEMS
WITH ABILITY TO WITHSTAND SHORT CIRCUIT

Specification No. RTRN-047/2561

Approved date : 26/09/2561

Rev. No.: 1

Form No. -

Page 8 of 28

The coating system shall be in accordance with the ISO 12944-5 as following:

- Primer coat: The number of coat is one (1) coat of Epoxy (Misc) Anti-Corrosive Primer, the dry film thickness shall not less than 80 μm
- Subsequent coat(s): The number of coats are two (2) to four (4) of Epoxy Intermediate and Polyurethane topcoat with RAL 7036 gray color.
- The total number of coats are three (3) to five (5) coats and the dry film thickness of coating system shall not less than 200 μm .

3. Dry film thickness test and test report

The dry film thickness shall be spot checked for each layer of coating. The position of spot checks is specified as **Figure 3** and **Figure 4**.

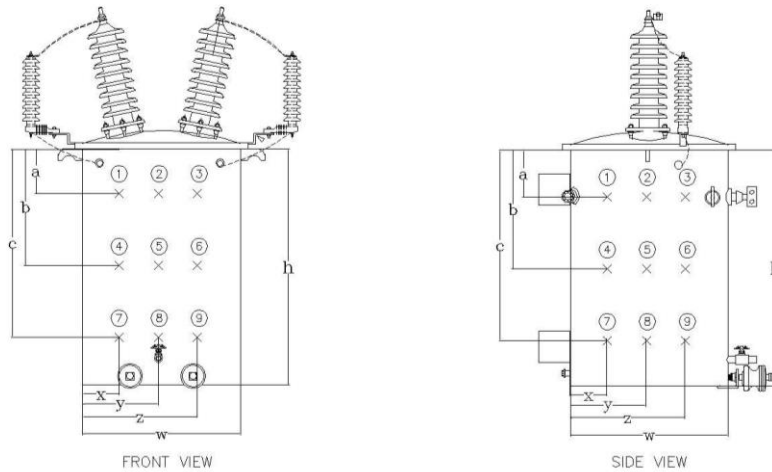


Figure 3: The position of spot checking for 22 kV single-phase transformers.

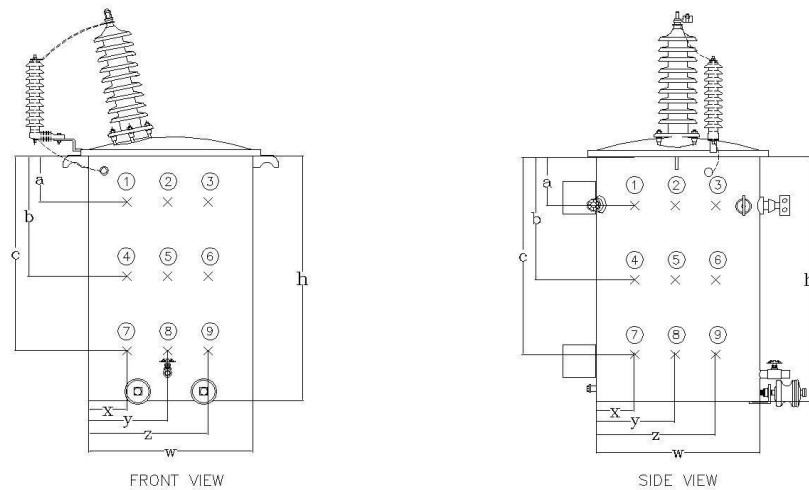


Figure 4: The position of spot checking for 19 kV single-phase transformers.



PROVINCIAL ELECTRICITY AUTHORITY

TECHNICAL SPECIFICATION DIVISION

SINGLE-PHASE TRANSFORMERS FOR 22 kV and 33 kV 50 Hz DISTRIBUTION SYSTEMS WITH ABILITY TO WITHSTAND SHORT CIRCUIT

Specification No. RTRN-047/2561

Approved date : 26/09/2561

Rev. No.: 1

Form No. -

Page 9 of 28

The distance for spot checking is specified in **Table 5**:

Table 5 Distance for spot checking

Symbols	Distance
a	About 25% of height (h)
b	About 50% of height (h)
c	About 75% of height (h)
x	About 25% of width (w)
y	About 50% of width (w)
z	About 75% of width (w)

The bidders have to submit the test report, conducted by the acknowledged testing laboratories or manufacture, with the bid. The Item offered without submitting the dry film thickness test report shall be rejected.

The cost of all tests and reports shall be borne by the bidders/manufacturers/contractor.

1c.11.2 Dry film thickness test report

The required information in dry film thickness test report shall be at least the following items:

- (1) Transformer information
 - Manufacturer's name
 - Model
 - Serial number
 - Number of phase
 - Rated voltage of the high-voltage winding
 - Rated voltage of the low-voltage winding
 - Rated frequency
 - Rated power
 - Rated current of the high-voltage winding
 - Rated current of the low-voltage winding
- (2) Painted information
 - Coating system (flow coating or spraying)
 - The information for each coating (Primer coat, Subsequent coat, Top coat) as following:
 - Type of material
 - Paint Manufacturer
 - Require minimum dry film thickness (μm) as specified
 - Actual dry film thickness (μm) (3 reading per 1 spot checks)



PROVINCIAL ELECTRICITY AUTHORITY

TECHNICAL SPECIFICATION DIVISION

SINGLE-PHASE TRANSFORMERS FOR 22 kV and 33 kV 50 Hz DISTRIBUTION SYSTEMS WITH ABILITY TO WITHSTAND SHORT CIRCUIT

Specification No. RTRN-047/2561

Approved date : 26/09/2561

Rev. No.: 1

Form No. -

Page 10 of 28

1c.11.3 Acceptance test procedure of dry film thickness test

The total dry film thickness of coating shall be measured by contractor for acceptance testing and witness by the PEA's acceptance committee. Total dry film thickness shall be not less than 200 μm according to ISO 12944-5. PEA will randomly select the samples of transformer only from the first lot. The number of sample and criteria for consideration shall be according to **Table 6**.

PEA reserve the right to send representative to inspect and witness test.

The cost of all tests and reports shall be borne by the manufacturers/contractor.

1c.12 Marking

PEA's code number and word "**SHORT CIRCUIT WITHSTAND**" shall be painted, in orange, on the transformer tank (for transformer having no conservator) or on the conservator tank (for transformer having conservator) at the position that enables a clear observation, and also be legibly and durably inscribed on the metal part of nameplate. The code number and dimensions of each letter to be marked shall be given by PEA after the final of bid consideration.

1c.13 Accessories

Each transformer shall be furnished and equipped with the following accessories:

1. HV and LV bushings, with terminal connectors
2. Bird guard cap (bushing cover), ultra-violet and track resistant material, e.g. polypropylene, neoprene, etc; which is suitable for exposure to sunlight
3. Tap changer
4. Nameplate with connection diagram
5. Oil drain valve with plug or cap, installed at the lower part of the tank.
6. Earthing terminal, with eye-bolt type connector suitable for steel stranded conductor diameter of 9.0 mm (size 50 mm²); complete with lock washer of stainless steel or better
7. Lifting lugs
8. Supporting lugs for hanging the transformer tank to pole by using two (2) M 16 machine bolts; the lugs are 500 mm apart
9. Oil-level marking inside the tank
10. Earthing terminal for surge arrester, with solderless clamp type connector suitable for flexible copper insulated ground lead size 16 mm², 430 mm long. (See drawing SA4-015/50007)
11. Compression type cable lug, for aluminium conductor diameter of 7.5-9.0 mm (sizes 35-50 mm²), suitable for connecting between HV bushing and surge arrester lead conductor
12. Other necessary accessories according to manufacturer's design



PROVINCIAL ELECTRICITY AUTHORITY

TECHNICAL SPECIFICATION DIVISION

SINGLE-PHASE TRANSFORMERS FOR 22 kV and 33 kV 50 Hz DISTRIBUTION SYSTEMS WITH ABILITY TO WITHSTAND SHORT CIRCUIT

Specification No. RTRN-047/2561

Approved date : 26/09/2561

Rev. No.: 1

Form No. -

Page 11 of 28

1c.14 Initial oil filling

The transformers shall be supplied with initial oil filling. The oil shall be according to IEC 60296, high-quality, clean and dry.

The oil shall be free from Polychlorinated Biphenyls (PCBs).

1c.15 Nameplate

The following minimum nameplate information shall be legibly and durably inscribed on the metal part of nameplate.

- (1) Manufacturer's name
- (2) Manufacturer's serial number
- (3) Year of manufacture
- (4) PEA's code number
- (5) Contract number and/or PO number
- (6) Number of phases
- (7) Rated frequency in Hz
- (8) Rated output in kVA
- (9) Rated voltage in V
- (10) Rated current in A
- (11) Tap voltages in V
- (12) Polarity
- (13) Per cent short-circuit impedance
- (14) Connection diagram
- (15) Type of cooling
- (16) Oil quantity in liter
- (17) Total weight in kg
- (18) Winding material (Made of copper)
- (19) Rated secondary short-circuit withstand current in kA r.m.s.
- (20) Wording "SHORT CIRCUIT WITHSTAND"

1c.16 Terminal markings and connection diagrams

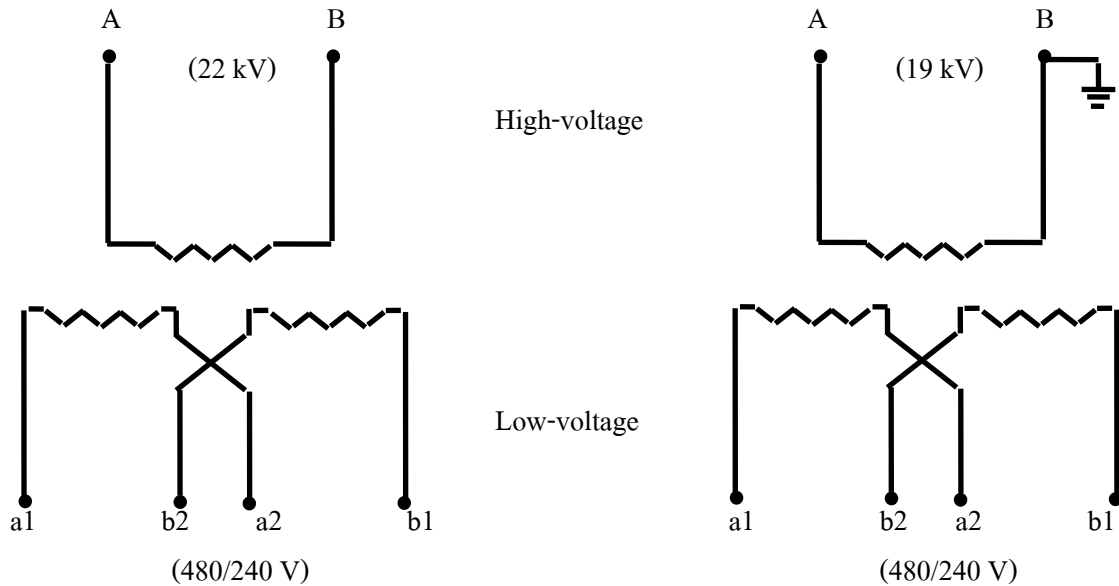


Figure 5 Terminal markings and connection diagrams

The symbols, A, B, a₁, a₂, b₁, and b₂, shall be durable marked on transformer tank beside bushings consequently. The height of the symbols shall not less than 30 mm.

Mark by sticker is not accepted.

1c.17 Mass

Mass of complete transformer with oil and accessories shall not be more than 1,000 kg.

Tolerance of the mass of proposed complete transformers with oil shall be within ± 5 percent of the declared mass of transformer which passed type test given by the bidders in 2a Performance data and guarantee of single-phase transformer (Page 25 of 28) but the maximum mass shall not exceed 1,000 kg.

If the mass of complete transformers with oil more than ± 5 percent of the declared mass or exceed the above allowable mass, the transformers shall be rejected.

1d Packing

For transformers manufactured outside the territories of Thailand, one (1) transformer or two (2) transformers shall be seaworthy packed in an export crate or wooden case which will not be returned.

For transformers manufactured within the territories of Thailand, one (1) transformer or two (2) transformers shall be packed in a crate or wooden case which will not be returned.

Each crate or wooden case shall be strong enough for stacking over with at least another one.

If the crate or wooden case is made of rubber wood (Yang-para), the wooden parts shall be treated with wood preservative. The details of wood treatment shall be described.



PROVINCIAL ELECTRICITY AUTHORITY

TECHNICAL SPECIFICATION DIVISION

SINGLE-PHASE TRANSFORMERS FOR 22 kV and 33 kV 50 Hz DISTRIBUTION SYSTEMS WITH ABILITY TO WITHSTAND SHORT CIRCUIT

Specification No. RTRN-047/2561

Approved date : 26/09/2561

Rev. No.: 1

Form No. -

Page 13 of 28

1e Tests and test reports

1e.1 Routine test

Each transformer shall pass the manufacturer’s standard routine tests, and also pass the following tests in accordance with the relevant standards:

- (1) Measurement of winding resistance (IEC 60076-1)
- (2) Measurement of voltage ratio and check of phase displacement (IEC 60076-1)
- (3) Measurement of short-circuit impedance and load loss (IEC 60076-1)
- (4) Measurement of no-load loss and current (IEC 60076-1)
- (5) Dielectric routine tests (IEC 60076-1 and IEC60076-3)

The Item offered without submitting the list of routine test shall be rejected.

1e.2 Type test and Short-circuit withstand test

The following type tests shall be in accordance with the relevant standards:

- (1) Temperature-rise test (IEC 60076-2)
- (2) Dielectric type tests (IEC 60076-1 and IEC 60076-3)
- (3) Measurement of no-load loss and current at 90 % and 110 % of rated voltage (IEC 60076-1)
- (4) Short-circuit withstand test (IEC 60076-5)

Type test and short-circuit withstand test shall be made on only one (1) unit of each rating.

The transformers shall be passed all items of the type test and short-circuit withstand test, conducted or inspected by one (1) acknowledged independent testing laboratory according to **1e.3 Acknowledged independent testing laboratories** and the test result shall be included in one (1) test report.

The test report shall be issued or approved by the same acknowledged independent testing laboratory according to **1e.3 Acknowledged independent testing laboratories**, otherwise will be rejected.

The bidders have to submit the type test and short-circuit withstand test report with the bid.

The type test and short-circuit withstand test report of the transformers which are conducted or inspected by Thailand’s national laboratories/institutes shall be valid within five (5) years count from the issued date in the test reports to the bid closing date.

For the type test and short-circuit withstand test report of the transformers which are conducted or inspected by laboratories/institutes, with in other countries shall be valid within ten (10) years count from the issued date in the test reports to the bid closing date.



PROVINCIAL ELECTRICITY AUTHORITY

TECHNICAL SPECIFICATION DIVISION

SINGLE-PHASE TRANSFORMERS FOR 22 kV and 33 kV 50 Hz DISTRIBUTION SYSTEMS WITH ABILITY TO WITHSTAND SHORT CIRCUIT

Specification No. RTRN-047/2561

Approved date : 26/09/2561

Rev. No.: 1

Form No. -

Page 14 of 28

PEA will also accept other documents instead of the type test and short-circuit withstand test reports in the following conditions:

- (1) In case the proposed transformer has been supplied to PEA and get the order from PEA's Procurement Department or Substation Work Department or Transmission and Distribution System Work Department (from PEA's head office), the Purchase Order (PO) or Contract with List of suppliers or Proposal form can be submitted, or
- (2) In case the proposed transformer has been registered for PEA Product Acceptance, the not-expired registration certificate counted to the bid closing date can be submitted, or
- (3) In case the proposed transformer has been registered for Product lists for substation turnkey project, the not-expired registration certificate counted to the bid closing date can be submitted instead

However the document in case (1), (2) and (3) shall be proved that the transformer specified in the PO or Contract with List of suppliers or Proposal form or registration certificate shall be the same product, type/model and all ratings as the proposed transformer for this bid.

The cost of all tests and reports shall be borne by the bidders/manufacturers/contractor.

1e.2.1 Short-circuit withstand test criteria

The transformers shall be designed and constructed to withstand without damage by the thermal and dynamic effects of the external short circuit in accordance with the IEC 60076-5.

The duration of the current I to be used for the calculation of the thermal ability to withstand short circuit shall be 2 s and the initial temperature for calculation shall be 105°C.

The ability to withstand the dynamic short circuit shall be demonstrated by test, comparison method is not acceptable. Test procedure of short-circuit withstand test shall be according to **1e.2.2 Test procedure of Type test and Short-circuit withstand test.**

The total number of tests shall be three made in a different position of the tap-changer according to IEC 60076-5. The duration of each test shall be 0.5 s

The bidders have to submit the short circuit test report of the identical transformers (purchased transformer) with the bid, otherwise shall be not accepted.

1e.2.2 Test procedure of Type test and Short-circuit withstand test

Each transformer, as delineated by its own unique serial number, is required to pass a complete type test and short-circuit withstand test following the procedures listed below:

- (1) Prior to short circuit testing, each individual transformer must pass the routine test, measurement of no-load loss and current at 90 % and 110 % of rated voltage and temperature-rise tests. Criteria for the temperature-rise test is presented in **1c.7 "Limits of temperature-rise"**



PROVINCIAL ELECTRICITY AUTHORITY

TECHNICAL SPECIFICATION DIVISION

SINGLE-PHASE TRANSFORMERS FOR 22 kV and 33 kV 50 Hz DISTRIBUTION SYSTEMS WITH ABILITY TO WITHSTAND SHORT CIRCUIT

Specification No. RTRN-047/2561

Approved date : 26/09/2561

Rev. No.: 1

Form No. -

Page 15 of 28

- (2) Upon successfully passing the temperature-rise test, each transformer must then successfully pass a short circuit withstand test. The test circuit of short circuit withstand test shall be connected in 240 V position.
- (3) Finally, lightning impulse shall be tested and all the routine tests including measurement of no-load loss and current at 90 % and 110 % of rated voltage shall be repeated. Each transformer shall pass the routine test, measurement of no-load loss and current at 90 % and 110 % of rated voltage and lightning impulse test.

The impulse test sequence is applied to each of line terminal of the tested winding in succession. The other line terminals of the transformer shall be earthed directly or through an impedance.

If the laboratories intend to use PEA’s power system as power supply for the short-circuit withstand testing, the transformer’s manufacturer or the laboratories shall submit technical documents of the test such as test procedure, test circuit diagram, test and protection equipment, testing date and calculation of voltage drop in PEA’s power system caused by the test to PEA for consideration and approval before the tests are proceeded.

It is responsible of the laboratories to compensate all failure or damage occurred to PEA’s power system caused by the test.

PEA reserves the right to send representatives to witness the test.

The cost of all tests and reports shall be borne by the bidders/manufacturers/contractor.

1e.3 Acknowledged testing laboratories

The type test and short-circuit withstand test shall be conducted or inspected by the acknowledged testing laboratories/institutes as follows:

- (1) Laboratories/institutes which are members of the Short-circuit Testing Liaison (STL) or independent laboratories/institutes which are accredited according to TIS 17025 or ISO/IEC 17025 with the scope of accreditation covered the relevant test items, standards and equipment. The certification and scope of accreditation of the independent laboratories/institutes shall be submitted with the bid for consideration.

The bidders or manufacturers who are accredited according to TIS 17025 or ISO/IEC 17025 preferring to carry out the type tests and short-circuit withstand test of the transformers with the laboratories or by the manufacturers themselves, the tests shall be inspected by Thailand’s national laboratories, institutes, universities and electric utilities in (2) and other laboratories, institutes, universities or electric utilities approved by PEA.

- (2) Thailand’s national laboratories, institutes, universities and electric utilities, as follow:
 - Electricity Generating Authority of Thailand (EGAT)



PROVINCIAL ELECTRICITY AUTHORITY

TECHNICAL SPECIFICATION DIVISION

SINGLE-PHASE TRANSFORMERS FOR 22 kV and 33 kV 50 Hz DISTRIBUTION SYSTEMS WITH ABILITY TO WITHSTAND SHORT CIRCUIT

Specification No. RTRN-047/2561

Approved date : 26/09/2561

Rev. No.: 1

Form No. -

Page 16 of 28

- (3) Other laboratories, institutes, universities or electric utilities approved by PEA. In this case, the detail of the test facilities of the laboratories shall be submitted to PEA for approval before proceeding the tests and before the bid closing date. PEA reserves the right to send representatives to inspect and witness the tests with the cost of the bidders or manufacturers.

1e.4 Information in the Test report

The minimum information of the transformers in the type test and short-circuit withstand test report shall be the following items:

1. Transformer information

- (1) Manufacturer's name
- (2) Model
- (3) Manufacturer's serial number
- (4) Number of phase
- (5) Rated voltage of the high-voltage winding
- (6) Rated voltage of the low-voltage winding
- (7) Rated voltage ratio
- (8) Rated frequency
- (9) Rated power
- (10) Rated current of the high-voltage winding
- (11) Rated current of the low-voltage winding
- (12) Short-circuit impedance at 75°C
- (13) Connection symbol
- (14) Cooling method
- (15) Total mass
- (16) Mass of core and winding
- (17) Oil quantity
- (18) Highest voltage for equipment applicable the high-voltage winding
- (19) Highest voltage for equipment applicable the low-voltage winding
- (20) Rated insulation level
- (21) Type of construction
- (22) High-voltage winding type and material
- (23) Low-voltage winding type and material
- (24) Cross-section of the conductor in the high-voltage winding
- (25) Cross-section of the conductor in the low-voltage winding

SINGLE-PHASE TRANSFORMERS FOR 22 kV and 33 kV 50 Hz DISTRIBUTION SYSTEMS

WITH ABILITY TO WITHSTAND SHORT CIRCUIT

Specification No. RTRN-047/2561

Approved date : 26/09/2561

Rev. No.: 1

Form No. -

Page 17 of 28

- (26) Number of strands per turn of high voltage winding
- (27) Number of strands per turn of low voltage winding
- (28) Number of strands radially across the layer (for all turns) of high voltage winding
- (29) Number of strands radially across the layer (for all turns) of low voltage winding
- (30) Total number of turns per phase
- (31) Number of turns of each tap

2. Drawing of transformers

- (1) Overall dimensions of transformer
- (2) Tank dimension
- (3) Drawing of cross section area of core
- (4) Drawing of active part
- (5) Drawing of core and coil as shown the detail and dimension according to **Figure 6**

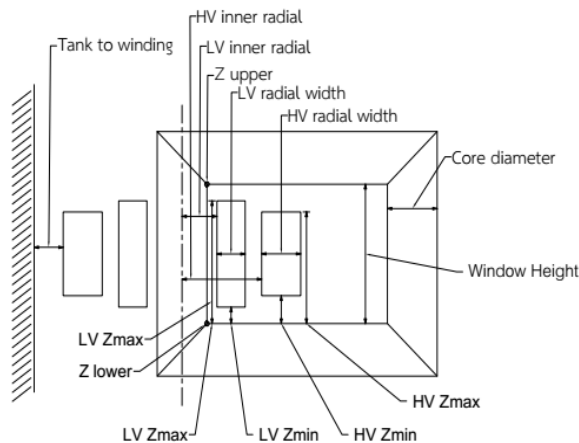


Figure 6: Core and coil constructions.

3. Photograph of transformers

The color photograph which reveal transformer construction for out-of-tank inspection before and after short-circuit withstand test shall be in the short-circuit withstand test report.

In case the information in the reports are not completed according to the above requirement, the bidders will be rejected.



PROVINCIAL ELECTRICITY AUTHORITY

TECHNICAL SPECIFICATION DIVISION

SINGLE-PHASE TRANSFORMERS FOR 22 kV and 33 kV 50 Hz DISTRIBUTION SYSTEMS WITH ABILITY TO WITHSTAND SHORT CIRCUIT

Specification No. RTRN-047/2561

Approved date : 26/09/2561

Rev. No.: 1

Form No. -

Page 18 of 28

1e.5 Acceptance test items and acceptance test procedures

1e.5.1 Acceptance test items

The sample of transformers shall pass the following tests in accordance with the IEC 60076 and IEC 60156 standards.

- (1) Measurement of winding resistance (IEC 60076-1)
- (2) Measurement of voltage ratio and check of phase displacement (IEC 60076-1)
- (3) Measurement of short-circuit impedance and load loss (IEC 60076-1)
- (4) Measurement of no-load loss and current (IEC 60076-1)
- (5) Dielectric routine tests (IEC 60076-3)
- (6) Oil dielectric breakdown voltage test (IEC 60156)
- (7) Temperature-rise test (IEC 60076-2)⁽¹⁾
- (8) Lightning impulse test (IEC 60076-3)⁽¹⁾
- (9) Short-circuit withstand test (IEC 60076-5)⁽²⁾
- (10) Dry film thickness test, the dry film thickness test procedure shall be according to **1c.11.1**

Painting system

Note

⁽¹⁾ The Items (7) and (8) shall be tested on one (1) unit for each contract at the PEA laboratory or Acknowledged independent laboratories approved by PEA as specified in **1e.3 Acknowledged independent testing laboratories** or manufacturer laboratories depending on PEA’s acceptance committee

⁽²⁾ The Items (9) shall be tested on one (1) unit for each contract at Acknowledged Independent laboratories depend on PEA’s acceptance committee approved by PEA as specified in **1e.3 Acknowledged independent testing laboratories.**

Any transformers which are out-of-tank for inspection in short-circuit withstand test, the insulating oil shall be dehydration at manufacture’s factory and oil dielectric breakdown voltage shall be retested. The report of oil dielectric breakdown voltage test shall be submitted to PEA before shipment/delivery, for each ordered transformer.

1e.5.2 Acceptance test procedures

PEA’s acceptance committee and will select the sample of each lot, the number of transformer per lot according to **Table 6**. All sampling units shall be transported to PEA laboratory or Acknowledged independent laboratories for testing according to **1e.5.1 Acceptance test items**. The transportation shall be carried out by the contractor.



PROVINCIAL ELECTRICITY AUTHORITY

TECHNICAL SPECIFICATION DIVISION

SINGLE-PHASE TRANSFORMERS FOR 22 kV and 33 kV 50 Hz DISTRIBUTION SYSTEMS WITH ABILITY TO WITHSTAND SHORT CIRCUIT

Specification No. RTRN-047/2561

Approved date : 26/09/2561

Rev. No.: 1

Form No. -

Page 19 of 28

Table 6 The number of sample and criteria for consideration

Number of transformer per lot (Unit)	Sample size of transformers for acceptance test (Unit)	Maximum number of sample failing in the acceptance test (Unit)
2 to 15	2	0
16 to 25	3	0
26 to 90	5	0
91 to 150	8	0
151 to 500	13	1
More than 500	20	1

The number of failing units shall not more than the maximum number of failing sample in the acceptance test according to **Table 6**. Otherwise, the transformers in that lot shall be rejected.

In case of the failing units not more than the maximum number of failing sample in the acceptance test according to **Table 6**, the contractor has to take responsibility as following procedure.

- (1) The contractor has to recheck all delivered transformers in that lot and repair or fix the defective transformers in that lot.
- (2) The contractor shall analyze the problem and send the report to PEA's acceptance committee before the lot accepted.
- (3) The transformers which are repaired or fixed in that lot shall be retested only in the relevant test items according to **1e.5.1 Acceptance test items**.

After the test, the transformers shall be rebuilt completely by the contractor with free of charge and send back to PEA with the same amount of the samples.

1f Inspection

To ensure about the quality of transformers, the inspection shall be carried out by the PEA's representative (PEA's witness committee) at following two stages:

- Online anytime during receipt of raw material and manufacture/assembly whenever the PEA desires.
- At finished stage i.e. transformers are fully assembled and are ready for dispatch.



PROVINCIAL ELECTRICITY AUTHORITY

TECHNICAL SPECIFICATION DIVISION

SINGLE-PHASE TRANSFORMERS FOR 22 kV and 33 kV 50 Hz DISTRIBUTION SYSTEMS WITH ABILITY TO WITHSTAND SHORT CIRCUIT

Specification No. RTRN-047/2561

Approved date : 26/09/2561

Rev. No.: 1

Form No. -

Page 20 of 28

C2 Material and packing data of the single-phase transformers

The bidders have to submit the following data and details of transformers and accessories with the bid:

2a Performance data and guarantee of the single-phase transformers (See pages 23 to 26 of 28)

2b Drawing of inside tank and overall transformer with dimensions in mm showing of particulars of normal construction details.

2c Drawings, with dimensions in mm, of the following accessories:

1. HV and LV bushings
2. Terminal connectors on HV and LV bushings with description of materials used for the component parts
3. Nameplate with connection diagram
4. Valve, showing the internal construction
5. Earthing terminal connector
6. Bracket for surge arrester
7. Earthing terminal for surge arrester
8. Lifting lug
9. Supporting lugs
10. Compression type of cable lug
11. Accessories according to manufacturer's design, if any

2d Catalogues and/or drawings with details of the following accessories:

1. Bird guard
2. Core
3. HV and LV Winding
4. Off load tap changer
5. Insulation paper
6. Gaskets
7. Oil drain vale
8. Accessories according to manufacturer's design, if any

2e Dry film thickness test report

2f Type test and Short-circuit withstand test report

2g List of routine test



PROVINCIAL ELECTRICITY AUTHORITY

TECHNICAL SPECIFICATION DIVISION

SINGLE-PHASE TRANSFORMERS FOR 22 kV and 33 kV 50 Hz DISTRIBUTION SYSTEMS WITH ABILITY TO WITHSTAND SHORT CIRCUIT

Specification No. RTRN-047/2561

Approved date : 26/09/2561

Rev. No.: 1

Form No. -

Page 21 of 28

2h Drawings of core and coil construction

2i Specifications of transformer oil and test report

2j HV and LV Bushing test report

2k Others necessary information in order to show that the special test report can prove the performance of the proposed transformers.

2l Bidders shall propose and quote for recommended spare part lists with separate price for each offered item (e.g., bushings)

2m Packing details

Packing method (shown by drawing(s), and describe packing materials).

Number of transformers in one (1) crate or wooden case (one or two).

Overall dimensions (L x W x H) of each crate or wooden case in cm.

Volume of each crate or wooden case in m³.

Gross weight of each crate or wooden case in kg.

Number of crates or wooden cases.

2n Critical documents of the transformers (See page 22 of 28)

The lists of documents shall be fulfilled and submitted with the bid.



PROVINCIAL ELECTRICITY AUTHORITY

TECHNICAL SPECIFICATION DIVISION

SINGLE-PHASE TRANSFORMERS FOR 22 kV and 33 kV 50 Hz DISTRIBUTION SYSTEMS

WITH ABILITY TO WITHSTAND SHORT CIRCUIT

Specification No. RTRN-047/2561

Approved date : 26/09/2561

Rev. No.: 1

Form No. -

Page 22 of 28

The Critical documents of the transformers

No.	Required documents	Proposed technical document	Reference document (Page/Item)
1	HV and LV Bushing test report	<input type="checkbox"/> Yes <input type="checkbox"/> No	
2	Dry film thickness test report	<input type="checkbox"/> Yes <input type="checkbox"/> No	
3	List of routine test report	<input type="checkbox"/> Yes <input type="checkbox"/> No	
4	Type test and Short-circuit withstand test report, or	<input type="checkbox"/> Yes <input type="checkbox"/> No	
	The copy of previous Purchase Order (PO) or Contract with List of suppliers or Proposal form, or	<input type="checkbox"/> Yes <input type="checkbox"/> No	
	PEA Product Acceptance registration certificate, or	<input type="checkbox"/> Yes <input type="checkbox"/> No	
	Product lists registration certificate	<input type="checkbox"/> Yes <input type="checkbox"/> No	
5	The TIS 17025 or ISO/IEC 17025 certification and scope of accreditation of the independent laboratories/institutes (in case the independent laboratories/institutes are accredited according to TIS 17025 or ISO/IEC 17025)	<input type="checkbox"/> Yes <input type="checkbox"/> No	
6	Performance data and guarantee of the single-phase transformers (page 23 to 26 of 28)	<input type="checkbox"/> Yes <input type="checkbox"/> No	
7	Drawing of inside tank and overall transformer with dimensions in mm showing of particulars of normal construction details.	<input type="checkbox"/> Yes <input type="checkbox"/> No	
8	Drawings, with dimensions in mm, according to 2c	<input type="checkbox"/> Yes <input type="checkbox"/> No	
9	Catalogues and/or drawings with details, according to 2d	<input type="checkbox"/> Yes <input type="checkbox"/> No	
10	Drawing of core and coil construction according to 2h	<input type="checkbox"/> Yes <input type="checkbox"/> No	
11	Specifications of transformer oil and test report according to 2i	<input type="checkbox"/> Yes <input type="checkbox"/> No	
12	Packing detail(s) according to 2m	<input type="checkbox"/> Yes <input type="checkbox"/> No	

The items offered without submitting the critical documents shall be rejected



PROVINCIAL ELECTRICITY AUTHORITY

TECHNICAL SPECIFICATION DIVISION

**SINGLE-PHASE TRANSFORMERS FOR 22 kV and 33 kV 50 Hz DISTRIBUTION SYSTEMS
WITH ABILITY TO WITHSTAND SHORT CIRCUIT**

Specification No. RTRN-047/2561

Approved date : 26/09/2561

Rev. No.: 1

Form No. -

Page 23 of 28

Invitation to Bid No.: ๓.3๓๒๓.๑๒.)e-bidding023/2563

2a Performance data and guarantee of the single-phase transformer

Item

Manufacturer's name and country of origin		
Type or model		
Applied standard		
Rated output	kVA	
Rated frequency	Hz	
Polarity	-	
Rated primary voltage	V	
Rated secondary voltage	V	
Operation duty : continuous operation (Type DB)	Yes/No	
Max. temperature rise of winding (at full load)	K	
Max. temperature rise of top oil (at full load)	K	
Primary tapping: off-circuit condition	Yes/No	
Number of steps of primary tapping	Steps	
Per cent of rated voltage of each tapping	%	
No-load current & Tolerance	% & %	&
Short-circuit impedance at 75°C & Tolerance	% & %	&
Losses , for each transformer unit		
- No-load loss <u>plus positive tolerance</u>	W	
- Load loss, <u>plus positive tolerance</u> , at 75°C	W	
Efficiency in %, at 75°C and at load :		
- 1/2 of rated power and P.F. = 1.0	%	
- 1 of rated power and P.F. = 1.0	%	
Voltage regulation at P.F. = 1.0	%	



PROVINCIAL ELECTRICITY AUTHORITY

TECHNICAL SPECIFICATION DIVISION

**SINGLE-PHASE TRANSFORMERS FOR 22 kV and 33 kV 50 Hz DISTRIBUTION SYSTEMS
WITH ABILITY TO WITHSTAND SHORT CIRCUIT**

Specification No. RTRN-047/2561

Approved date : 26/09/2561

Rev. No.: 1

Form No. -

Page 24 of 28

Item

Bushings		HV	LV
<ul style="list-style-type: none"> - Manufacturer's name - Country of origin - Applied standard - Rated current - BIL - Low-frequency dry 1-minute test voltage - Low-frequency wet 10-second test voltage - Colour of glazing 	<ul style="list-style-type: none"> - - - A kV, peak kV, r.m.s. kV, r.m.s. - 		
<p>Terminal connectors on HV and LV bushings</p> <ul style="list-style-type: none"> - Manufacturer's name - For aluminium conductor diameter range (HV side) - For copper conductor diameter range (LV side) - For aluminium conductor diameter range (LV side) - Number of circuits, take-off (LV side) - Terminal pads are according to PEA's Drawing No. SA4-015/47002 	<ul style="list-style-type: none"> - mm mm mm Circuits Yes/No 		
<p>Winding</p> <ul style="list-style-type: none"> - Manufacturer's name (the bidders have to quote not more than three (3) manufacturers) - Country of origin - Material : copper - Type of enamel or insulating material of wire - Size of wire <ul style="list-style-type: none"> - for HV side (diameter) - for LV side (dimension) - Resistance per phase at 75°C - Full-wave impulse withstand voltage, or BIL - Power-frequency test voltage, 1 min - Construction of winding 	<ul style="list-style-type: none"> - - Yes/No - mm mm x mm Ohms kV, peak kV, r.m.s. - 	HV	LV



PROVINCIAL ELECTRICITY AUTHORITY

TECHNICAL SPECIFICATION DIVISION

**SINGLE-PHASE TRANSFORMERS FOR 22 kV and 33 kV 50 Hz DISTRIBUTION SYSTEMS
WITH ABILITY TO WITHSTAND SHORT CIRCUIT**

Specification No. RTRN-047/2561

Approved date : 26/09/2561

Rev. No.: 1

Form No. -

Page 25 of 28

Item

- Current density	A/mm ²	
- Number of layer per coil	-	
- Number of turns of each coil in tap No.3	Turns	
- Number of turns of each tapping position	Turns	
- Total turns of each coil	Turns	
Core		
- Manufacturer's name (the bidders have to quote not more than three (3) manufacturers)		
- Country of origin		
Method of cooling	-	
Total cooling surface	m ²	
Brand of oil used for initial filling	-	
Completely assembled transformer shall withstand, without permanent deformation, a maximum pressure of	kg/cm ²	
Colour of tank : grey (RAL 7036)	Yes/No	
Tank finish conforms to PEA's requirement	Yes/No	
Quantity of oil filling	liter	
Mass of core	kg	
Mass of winding	kg	
Mass of the part liftable from tank	kg	
Mass of complete transformer with oil	kg	
Terminal markings and connections conform to PEA's requirement	Yes/No	
Tank		
- Thickness of side wall	mm	
- Thickness of top plate	mm	
- Thickness of bottom plate	mm	
Internal dimensions		
- Height	mm	
- Width	mm	
- Depth	mm	



PROVINCIAL ELECTRICITY AUTHORITY

TECHNICAL SPECIFICATION DIVISION

**SINGLE-PHASE TRANSFORMERS FOR 22 kV and 33 kV 50 Hz DISTRIBUTION SYSTEMS
WITH ABILITY TO WITHSTAND SHORT CIRCUIT**

Specification No. RTRN-047/2561

Approved date : 26/09/2561

Rev. No.: 1

Form No. -

Page 26 of 28

Item

Dimensions of transformer		
- Overall height	mm	
- Overall width	mm	
- Overall depth	mm	
- Height over cover	mm	
Total dry film thickness	µm	
Fin		
- Fin radiators or Corrugated thickness	mm	
- Dimension of each fin (LxBxT)	mm	
- Number of Fins per radiator	-	
- Total number of fin	-	
Bushing clearance		
- Please fill in the shortest of clearance		
- LV to earth	mm	
- HV to earth	mm	
- Between LV bushing	mm	
- Between HV bushing	mm	
Detail documents of Item 1 on Page 27 of 28 shall be sent to PEA before shipment/delivery	Yes/No	
X/R ratio	-	
Rated short circuit current and withstanding duration		
- Current	kA	
- Duration	s	
Duration of overload		
- 25% overload	Minutes	
- 50% overload	Minutes	
Magnetic flux density	Tesla	
Other :		



PROVINCIAL ELECTRICITY AUTHORITY

TECHNICAL SPECIFICATION DIVISION

SINGLE-PHASE TRANSFORMERS FOR 22 kV and 33 kV 50 Hz DISTRIBUTION SYSTEMS WITH ABILITY TO WITHSTAND SHORT CIRCUIT

Specification No. RTRN-047/2561

Approved date : 26/09/2561

Rev. No.: 1

Form No. -

Page 27 of 28

Note : Conditions for documentation and consideration

1. The Contractor has to supply the following documents in English and/or Thai, before shipment/delivery, for each ordered transformer:
 - 1.1 Report of routine tests
 - 1.2 Number of turns of each winding, each coil, and each tapping position
 - 1.3 Mass of HV windings and of LV windings
 - 1.4 Type of enamel, temperature class, and size of the enameled wire
 - 1.5 Information for Reference (only one (1) unit per contract). The following information for each transformer shall be submitted for maintenance purpose.
 - Coil height for each winding before assembly and after complete assembly.
 - Torque value on clamping bolts or pressure for each winding before assembly and after complete assembly.
 - Photograph of each coil for each phase and photograph of core and coils assembly. The photograph of each coil shall be taken from the final production process before placing to the core, top view and front view shall be provided. The photograph of core and coils assembly shall be taken just prior to place the completed core and coils assembly into the tank, top view, front view, right view, left view and rear view shall be provided for complete set of photographs. All photographs shall be 216 mm (8-1/2 in) by 280 mm (11 in) gloss prints properly labelled relevant to the view taken.
 - 1.6 Invoice and Test report of the following material and accessories used in each supply shall be submitted.
 - Transformer oil
 - Silicon steel
 - Copper conductor
 - Insulation paper and pressboard
 - Pressure relief
 - Gaskets
 - Bushing
 - Transformer supervisory equipment



PROVINCIAL ELECTRICITY AUTHORITY

TECHNICAL SPECIFICATION DIVISION

SINGLE-PHASE TRANSFORMERS FOR 22 kV and 33 kV 50 Hz DISTRIBUTION SYSTEMS

WITH ABILITY TO WITHSTAND SHORT CIRCUIT

Specification No. RTRN-047/2561

Approved date : 26/09/2561

Rev. No.: 1

Form No. -

Page 28 of 28

The above documents shall be sent to the following address:

Transformer Division
Provincial Electricity Authority
200 Ngam Wong Wan Road, Chatuchak
Bangkok Metropolis 10900
Thailand

2. If the material and packing data given by bidders, which are mentioned on Page 20 to 21 of 28, are estimated or approximate, the bid may be rejected.
3. Delivery time is also one of the important factors to be considered.
4. Partial shipment/delivery is allowed.



PROVINCIAL ELECTRICITY AUTHORITY

TECHNICAL SPECIFICATION DIVISION

SINGLE-PHASE TRANSFORMERS FOR 22 kV and 33 kV 50 Hz DISTRIBUTION SYSTEMS WITH ABILITY TO WITHSTAND SHORT CIRCUIT

Specification No. RTRN-047/2561

Approved date : 26/09/2561

Rev. No.: 1

Form No. -

Page 1 of 1

Addendum

The addendum is made to be a part of Specification No.: RTRN-047/2560 : SINGLE-PHASE TRANSFORMERS FOR 22 kV and 33 kV 50 Hz DISTRIBUTION SYSTEMS WITH ABILITY TO WITHSTAND SHORT CIRCUIT

For bids with bid invitation date from following date, the **acceptance test items** as below shall be tested:

- (1) Short-circuit withstand test will be effective from **1st July 2020**.
- (2) Dry film thickness test will be effective from **1st Jan 2019**.



PROVINCIAL ELECTRICITY AUTHORITY

TECHNICAL SPECIFICATION DIVISION

Specification No. RTRN-047/2561 : SINGLE-PHASE TRANSFORMERS FOR 22 kV and 33 kV 50 Hz
DISTRIBUTION SYSTEMS WITH ABILITY TO WITHSTAND
SHORT CIRCUIT

Page 1 of 1

C3 Schedule of detailed requirement

Item	PEA Material No.	Quantity	Description
1	105000011	set(s)	30 kVA, single-phase transformer, 22000-480/240V, withstand short-circuit
2	1050000206	148 set(s)	30 kVA, single-phase transformer, 19000-480/240V, withstand short-circuit
			<p><u>Note :</u></p> <p>1. Enclosed Drawings No. SA2-015/26028, SA4-015/45001 and SA4-015/50007</p> <p>2. การไฟฟ้าส่วนภูมิภาคจะพิจารณาจัดซื้อ/จัดจ้างพัสดุที่ผลิตในประเทศไทย ทั้งนี้ หากผู้เสนอราคาพัสดุที่ผลิตในประเทศไทย มีรายละเอียดคุณลักษณะเฉพาะ ไม่เป็นไปตามข้อกำหนดของการไฟฟ้าส่วนภูมิภาค หรือไม่มีผู้เสนอพัสดุที่ผลิตในประเทศไทย การไฟฟ้าส่วนภูมิภาคจะพิจารณาจัดซื้อ/จัดจ้างพัสดุที่ผลิตจากต่างประเทศต่อไป</p> <p>พัสดุที่ผลิตในประเทศไทย หมายความว่าถึง ผลิตภัณฑ์ที่ผลิตสำเร็จรูปแล้ว โดยสถานที่ผลิตตั้งอยู่ในประเทศไทย</p> <p>3. เกณฑ์การพิจารณาใช้เกณฑ์ราคาประกอบเกณฑ์อื่น ในการจัดซื้อจัดจ้างของการไฟฟ้าส่วนภูมิภาค พ.ศ. 2561</p>
			I



PROVINCIAL ELECTRICITY AUTHORITY

TECHNICAL SPECIFICATION DIVISION

การไฟฟ้าส่วนภูมิภาค
PROVINCIAL ELECTRICITY AUTHORITY

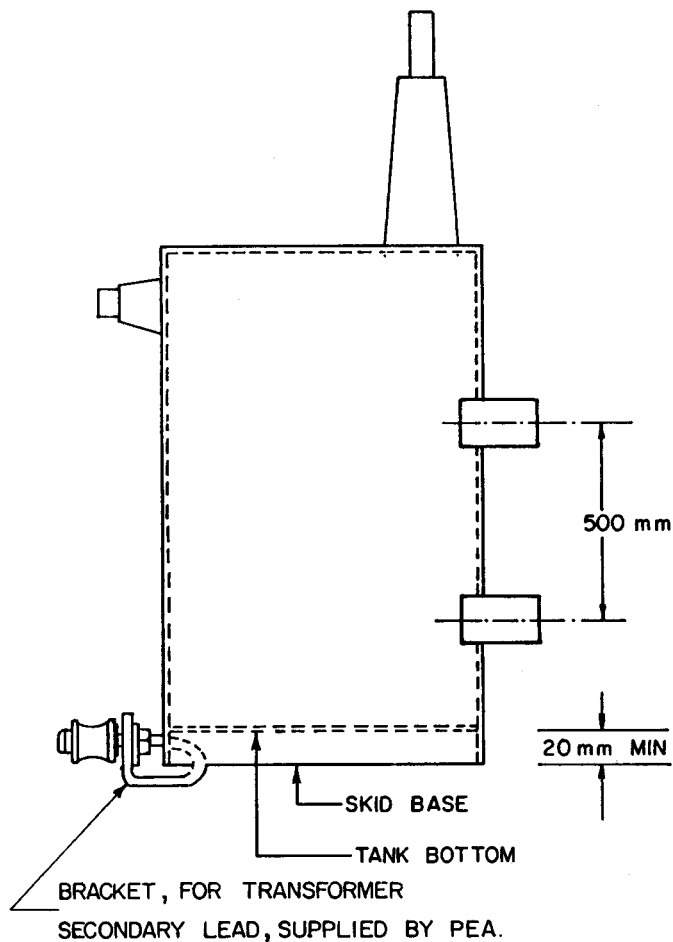
Specification No. RTRN-047/2561 : SINGLE-PHASE TRANSFORMERS FOR 22 kV and 33 kV 50 Hz DISTRIBUTION SYSTEMS WITH ABILITY TO WITHSTAND SHORT CIRCUIT	Page 1 of 1
---	-------------

C4 Price schedule Invitation to Bid No. ต.3กบญ.(จช.)e-bidding023/2563	Manufacturer : Country of origin : Trade-mark :
---	---

Item	PEA Material No.	Catalogue No.	Description	Quantity	Unit Cost (See details & conditions attached)	Total Cost (See details & conditions attached)
1	105000011		30 kVA, single-phase transformer, 22000-480/240V, withstand short-circuit	set(s)		
2	1050000206		30 kVA, single-phase transformer, 19000-480/240V, withstand short-circuit	148 set(s)	=เสนอราคาผ่านทางระบบ e-GP=	
<p>หมายเหตุ</p> <p>1. กำหนดจุดจัดส่งที่ แผนกคลังพัสดุ การไฟฟ้าส่วนภูมิภาคจังหวัดสงขลา ส่งมอบภายใน 90 วัน นับถัดจากวันที่ลงนามในสัญญา ซึ่งสามารถทยอยจัดส่งได้ โดยให้แผนกคลังพัสดุ การไฟฟ้าส่วนภูมิภาคจังหวัดสงขลา ทำหน้าที่ออกไปรับฝากพัสดุ และแจ้งคณะกรรมการตรวจรับพัสดุ สุ่มตรวจนับตามหลักเกณฑ์ที่ กฟภ. กำหนด</p> <p>2. บริษัทผู้ผลิตที่ได้รับการสั่งซื้อหม้อแปลงไฟฟ้า ต้องระบุน้ำหนักสุทธิ (Net Weight) ของหม้อแปลง ลงบนหม้อแปลงของแต่ละเครื่องบน Name Plate</p> <p>3. คู่สัญญาจะต้องเป็นผู้รับผิดชอบค่าใช้จ่ายทั้งหมดในการทดสอบเพื่อการตรวจรับ (Acceptance Test)</p> <p>4. การทดสอบเพื่อประกอบการตรวจรับหม้อแปลงไฟฟ้าในระบบจำหน่าย ณ โรงงานผู้ผลิต</p> <p>4.1 ให้คณะกรรมการตรวจรับ สามารถพิจารณาตรวจรับหม้อแปลงไฟฟ้า ณ โรงงานผู้ผลิต เพื่อเป็นทางเลือกนอกเหนือจากการส่งทดสอบที่ กองหม้อแปลง โดยให้คณะกรรมการตรวจรับร่วมกับคณะกรรมการตรวจสอบการผลิตและทดสอบ(ถ้ามี) และกองหม้อแปลง สุ่มตัวอย่างและร่วมทำการทดสอบเพื่อการตรวจรับ ณ โรงงานผู้ผลิต โดยวิธีการทดสอบจะต้องเป็นไปตามมาตรฐานและวิธีปฏิบัติของ กฟภ. โดยที่คู่สัญญา เป็นผู้รับผิดชอบค่าใช้จ่ายในการทดสอบทั้งหมด</p> <p>4.2 ในกรณีที่หม้อแปลงสำหรับผู้ใช้ไฟฟ้าเฉพาะรายที่จัดซื้อโดยผู้ใช้ไฟฟ้า และเป็นหม้อแปลงไฟฟ้าที่จะต้องจัดส่งให้ กฟภ. ทดสอบค่าความสูญเสีย (Losses) ก่อนติดตั้งใช้งาน ให้ผู้ใช้ไฟฟ้าที่มีความประสงค์ที่จะทำการทดสอบดังกล่าว ณ โรงงานผู้ผลิตแจ้งให้ กฟภ. จัดส่งผู้แทนเข้าร่วมทดสอบ ณ โรงงานผู้ผลิตก่อนการส่งของ โดยให้ผู้แทน กฟภ. ที่เข้าร่วมทำการทดสอบดังกล่าวพิจารณาทำเครื่องหมายที่หม้อแปลงไฟฟ้าสำหรับใช้ตรวจสอบภายหลังจากการส่งหม้อแปลงไฟฟ้าดังกล่าวไปที่หน่วยงาน โดยให้ผู้ใช้ไฟฟ้าเป็นผู้รับผิดชอบค่าใช้จ่ายในการทดสอบทั้งหมด</p> <p>5. เมื่อผลทดสอบผ่านแล้ว คู่สัญญาจะต้องจัดส่งหม้อแปลงดังกล่าว ให้ แผนกคลังพัสดุ การไฟฟ้าส่วนภูมิภาคจังหวัดสงขลา ภายใน 15 วัน นับแต่วันที่ ได้รับแจ้งจาก กฟภ. โดยไม่คิดมูลค่าการขนส่ง</p>						

PRELIMINARY

การประกอบเหล็ก
ASSEMBLY NO.



กอติดตั้งกรรมาไฟฟ้าและรถวิ่งกล ฝ่ายติดตั้งกรรมา	การไฟฟ้าส่วนภูมิภาค	ใต้ถนน..... ถูกแทนที่โดย..... ศึกษานี้ตั้งแต่วันที่ 21 พ.ค. 2526
ผู้เขียน <i>พ.ย. ปรวิสิน</i> ผู้สำรวจ <i>30m ยาน</i> วิศวกร <i>วิวัฒน์ แพนทวิช (ลาบร.)</i> ผู้อำนวยการกอง <i>.....</i> ผู้อำนวยการฝ่าย.....	ผู้ตรวจ.....	ทัศนียภาพ..... มิติ..... ขนาด.....
รองผู้ว่าการฝ่ายเทคนิค	FIXING OF BRACKET FOR TRANSFORMER SECONDARY LEAD	หมายเลขที่ SA2-015/26028 หน้าที่ 1 ของจำนวน 1 หน้าที่

PRELIMINARY

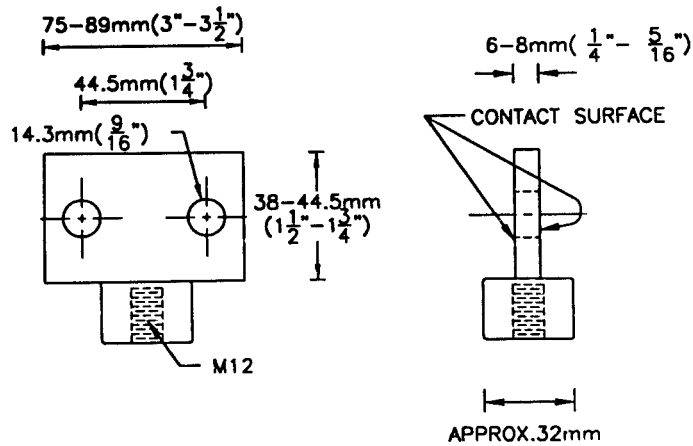
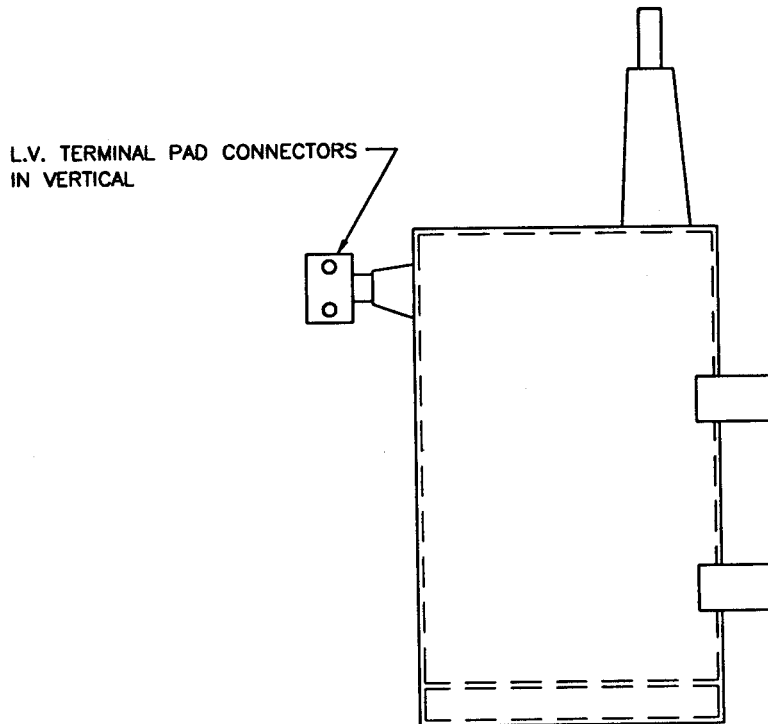


FIGURE 1

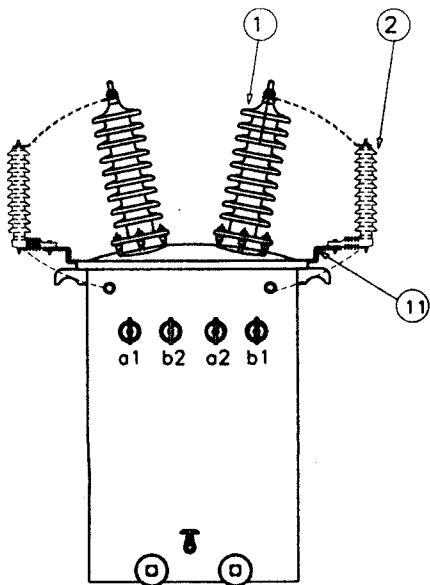


NOTES :

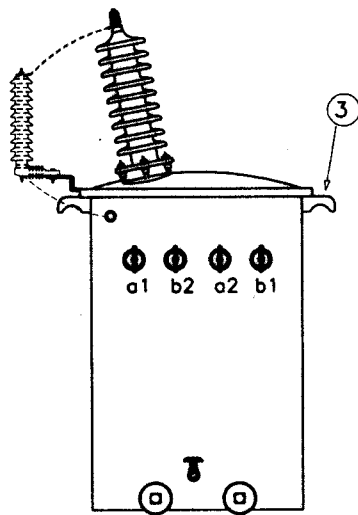
ALL DIMENSION ARE IN mm

<p>กองมาตรฐานระบบไฟฟ้า ฝ่ายมาตรฐานและความปลอดภัย</p>	<p>การไฟฟ้าส่วนภูมิภาค</p>	<p>ใช้แทนแบบ ถูกแทนโดยแบบ</p>
<p>ผู้เขียน <i>Supphakit Boonruang</i> ผู้สำรวจ วิศวกร หัวหน้าแผนก ผู้อำนวยการกอง ผู้อำนวยการฝ่าย</p>	<p>ผู้ว่าการ..... รายละเอียดของข้อต่อสายแรงต่ำสำหรับ หม้อแปลงไฟฟ้าหนึ่งเฟส 10-50 kVA</p>	<p>เขียนเสร็จวันที่ 11 ม.ค. 2545 แก้แบบวันที่ มิติเป็น..... มิลลิเมตร..... มาตราส่วน.....=.....</p>
<p>รองผู้ว่าการวางแผน และพัฒนาระบบไฟฟ้า</p>	<p>DETAIL OF L.V. TERMINAL PADS FOR 10-50 kVA SINGLE-PHASE TRANSFORMER</p>	<p>แบบเลขที่ SA4-015/45001 แผ่นที่ 1 ของจำนวน 1 แผ่น</p>

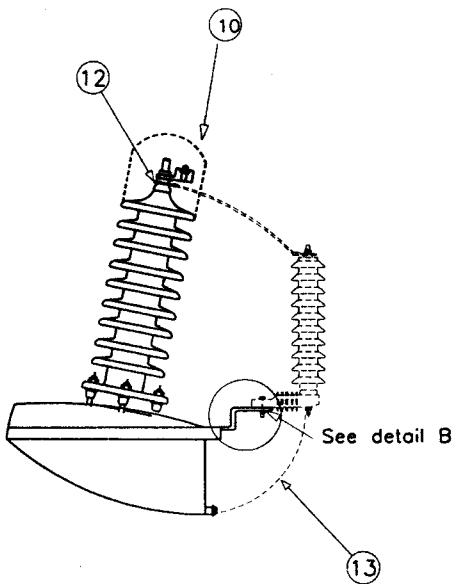
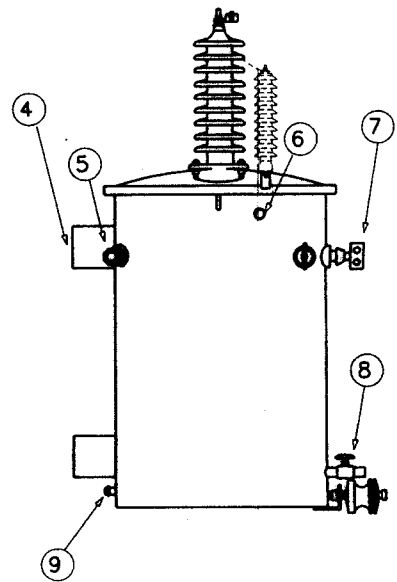
PRELIMINARY



For 22 kV



For 19 kV



NO.	DESCRIPTION
1.	HV Bushing with terminal connector
2.	Surge arrester(Polymer housing type)
3.	Lifting lugs
4.	Support lugs
5.	Off-load top changer
6.	Earthing terminal for surge arrester (See detail A)
7.	LV Bushing with terminal connector
8.	Oil drain valve
9.	Earthing terminal
10.	Bird guard cap
11.	Bracket for surge arrester
12.	Cable lug
13.	Flexible copper insulated ground lead

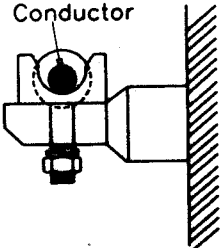
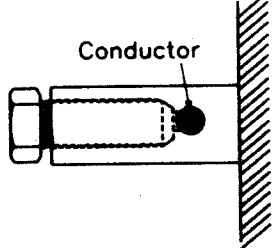
Note :

1. Surge arrester, line lead and ground lead, **supplied by PEA**
2. Earthing terminal for surge arrester shall be eye-bolt type or socket type.
3. Position of earthing terminal for surge arrester shall be suitable for flexible copper insulated ground lead size 16 sq.mm, 430 mm long.
4. Not to scale

กองมาตรฐานระบบไฟฟ้า ฝ่ายมาตรฐานและความปลอดภัย	การไฟฟ้าส่วนภูมิภาค	ใช้แทนแบบ..... ถูกแทนโดยแบบ.....
ผู้เขียน...มณฑิต เพ็ญดา..... ผู้สำรวจ..... วิศวกร..... หัวหน้าแผนก..... ผู้อำนวยการกอง..... ผู้อำนวยการฝ่าย.....	ผู้ว่าการ.....	เขียนเสร็จวันที่ 18 ก.พ. 2552 แก้แบบวันที่..... มิติเป็น..... มาตราส่วน.....
รองผู้ว่าการ	DETAIL OF 1 PHASE TRANSFORMER 10 kVA TO 50 kVA WITH SURGE ARRESTER	แบบเลขที่ SA4-015/50007 แผ่นที่ 1. ของจำนวน 3. แผ่น

PRELIMINARY

Detail A :

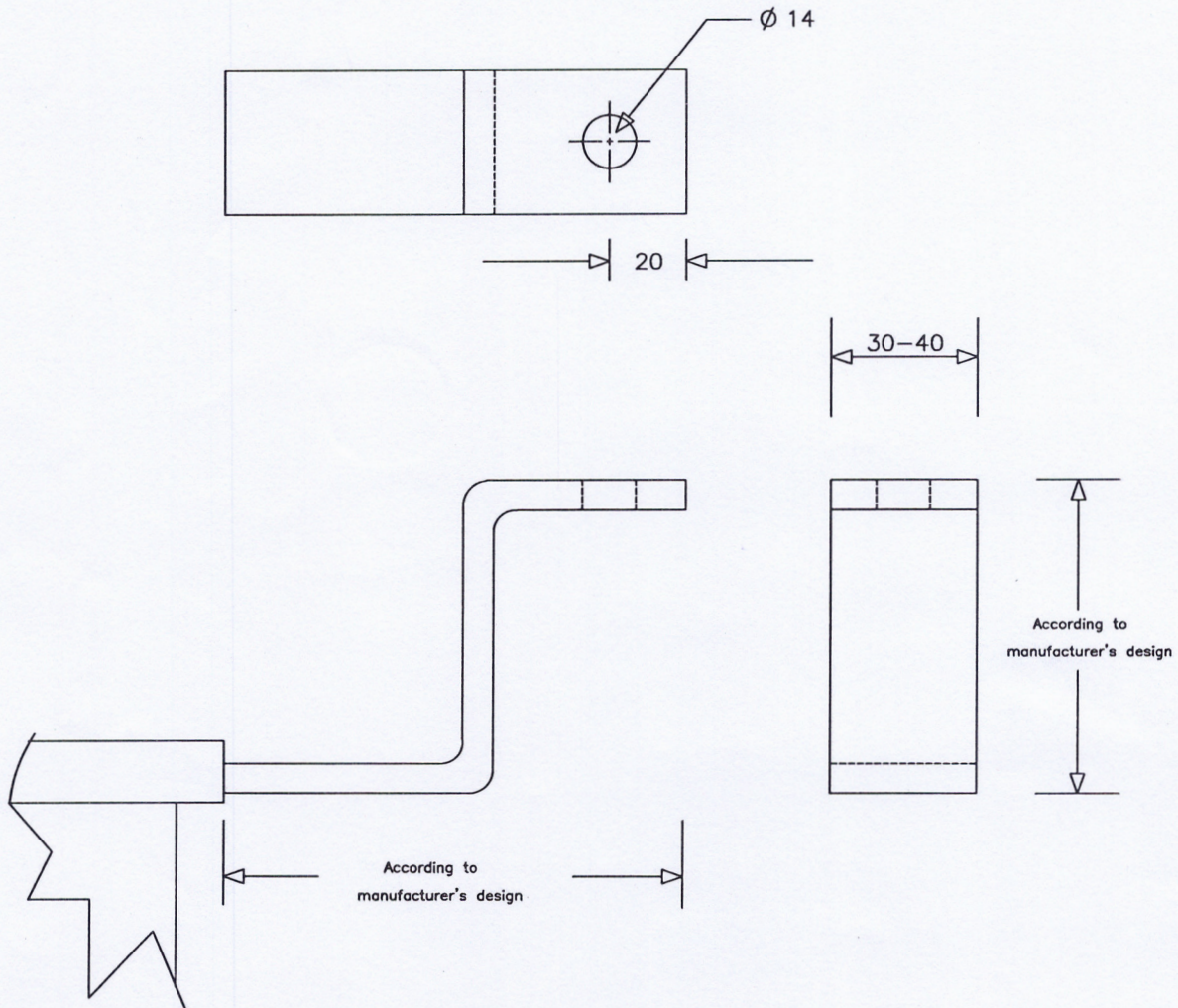
Type of earthing terminal for surge arrester	
 <p style="text-align: center;"><u>eye-bolt type earthing terminal</u></p>	 <p style="text-align: center;"><u>socket type earthing terminal</u></p>
<p><u>Description</u></p> <p>Eye-bolt type earthing terminal shall be with eye-bolt type connector suitable for flexible copper insulated ground lead size 16 sq.mm ; complete with lock washer of stainless steel or better</p>	<p><u>Description</u></p> <p>Socket type earthing terminal shall be with socket suitable for flexible copper insulated ground lead size 16 sq.mm ; complete with bolt of stainless steel or better for lock conductor</p>

กองมาตรฐานระบบไฟฟ้า ฝ่ายมาตรฐานและความปลอดภัย	<h2 style="margin: 0;">การไฟฟ้าส่วนภูมิภาค</h2>	ใช้แทนแบบ..... ถูกแทนโดยแบบ..... เขียนเสร็จวันที่ 18 ก.พ. 2552 แก้มบวันที่..... มิติเป็น..... มาตรฐาน.....
ผู้เขียน... น.ก.ก.ต. เพ็ญดา..... ผู้สำรวจ..... วิศวกร... <i>[Signature]</i> หัวหน้าแผนก... <i>[Signature]</i> ผู้อำนวยการกอง..... ผู้อำนวยการฝ่าย.....	ผู้ว่าการ..... ส่วนประกอบหม้อแปลง 1 เฟส พร้อมกับทักฟ้าผ่า สำหรับหม้อแปลงขนาด 10 kVA ถึง 50 kVA	แบบเลขที่ SA4-015/50007 แผ่นที่ 2. ของจำนวน 3. แผ่น
รองผู้ว่าการ	DETAIL OF 1 PHASE TRANSFORMER 10 kVA TO 50 kVA WITH SURGE ARRESTER	

PRELIMINARY

Detail B :

Detail of mounting bracket for surge arrester



Note.

1. Material of mounting bracket shall be stainless steel or painted with RAL gray color. And paint system shall be system No. A.3.09, according to table A.3 ISO12944-5 which the total thickness not less than 200 um.
2. Shape and dimension of mounting bracket, unless specified shall be according to manufacturer's design.
3. The mounting bracket shall be designed to support up to 8 kg surge arrester.

กองข้อกำหนดทางเทคนิค ฝ่ายวิศวกรรม	<h2 style="margin: 0;">การไฟฟ้าส่วนภูมิภาค</h2>	ใช้แทนแบบ..... ถูกแทนโดยแบบ..... เขียนเสร็จวันที่ 18 ก.พ. 2552 แกบแบบวันที่ 3 ก.ย. 2561 มิติเป็น... มิลลิเมตร มาตรฐาน.....
ผู้เขียนมาตรฐาน... ผู้สำรวจ..... วิศวกร..... หัวหน้าแผนก..... ผู้อำนวยการกอง..... ผู้อำนวยการฝ่าย.....	ผู้ว่าการ..... ส่วนประกอบหม้อแปลง 1 เฟส พร้อมติดตั้งฟ้าผ่า สำหรับหม้อแปลงขนาด 30 kVA	แบบเลขที่ SA4-015/50007 แผ่นที่ 3 ของจำนวน 3 แผ่น
รองผู้ว่าการ	DETAIL OF 1 PHASE TRANSFORMER 30 kVA WITH SURGE ARRESTER	

เงื่อนไขทั่วไปประกอบการจัดซื้อพัสดุ

ผู้ยื่นข้อเสนอ จะต้องปฏิบัติตามเงื่อนไขประกอบการจัดซื้อพัสดุดังนี้

ข้อ ๑ “ผู้ยื่นข้อเสนอจะต้องยื่นเอกสารทางเทคนิค เช่น แค็ตตาล็อก แบบรูป (Drawings) รายงานผลการทดสอบเฉพาะแบบ (Type test reports) หรือเอกสารอื่นๆ ตามที่ได้ระบุไว้ในรายละเอียดสเปค (Specification) ให้ครบถ้วนพร้อมกับการยื่นข้อเสนอ โดยเอกสารทางเทคนิคดังกล่าวจะต้องเป็นภาพสีเหมือนกับเอกสารต้นฉบับ และต้องเป็นภาษาไทยหรือภาษาอังกฤษเท่านั้น สำหรับเอกสารทางเทคนิคที่ผู้ยื่นข้อเสนอจะต้องกรอกรายละเอียดในแบบฟอร์มของ การไฟฟ้าส่วนภูมิภาค ให้ใช้วิธีการพิมพ์เท่านั้น การไฟฟ้าส่วนภูมิภาคขอสงวนสิทธิ์ที่จะไม่รับพิจารณาผู้ยื่นข้อเสนอที่ยื่นเอกสารทางเทคนิคไม่ครบถ้วน หรือไม่ปฏิบัติตามที่ระบุข้างต้น

ข้อ ๒ การไฟฟ้าส่วนภูมิภาค จะพิจารณาเฉพาะเอกสารทางเทคนิค เช่น แค็ตตาล็อก แบบรูป (Drawings) รายงานผลการทดสอบเฉพาะแบบ (Type test reports) หรือเอกสารอื่นๆ ที่ระบุผลิตภัณฑ์เป็นแบบ (Type) หรือเป็นรุ่น (Model) ที่ตรงกับที่ผู้ยื่นข้อเสนอระบุไว้ในรายการที่เสนอราคาเท่านั้น เว้นแต่รายละเอียดสเปค (Specification) ระบุความต้องการเอกสารทางเทคนิคไว้เป็นอย่างอื่น

ข้อ ๓ สำหรับพัสดุอุปกรณ์ที่ การไฟฟ้าส่วนภูมิภาค กำหนดให้ใช้เกณฑ์ราคาประกอบเกณฑ์อื่น (Price-performance) ในการพิจารณาจัดซื้อ ผู้ยื่นข้อเสนอที่ยื่นผลิตภัณฑ์ที่มีคุณสมบัติเป็นไปตามเกณฑ์อื่นในแต่ละรายการ และมีความประสงค์ที่จะให้ การไฟฟ้าส่วนภูมิภาค คิดคะแนนในส่วนของเกณฑ์อื่นดังกล่าวเพื่อประกอบการพิจารณาจัดซื้อนั้น ผู้ยื่นข้อเสนอจะต้องยื่นเอกสารแสดงคุณสมบัติในแต่ละเกณฑ์ให้ถูกต้อง และครบถ้วนมาพร้อมกับการยื่นข้อเสนอ หากการไฟฟ้าส่วนภูมิภาคตรวจสอบแล้วพบว่าเอกสารแสดงคุณสมบัติดังกล่าวไม่ถูกต้อง หรือไม่ครบถ้วน การไฟฟ้าส่วนภูมิภาค ขอสงวนสิทธิ์ที่จะพิจารณาไม่ให้คะแนนในแต่ละเกณฑ์นั้นๆ

ทั้งนี้รายการพัสดุอุปกรณ์ที่การไฟฟ้าส่วนภูมิภาคกำหนดให้ใช้เกณฑ์ราคาประกอบเกณฑ์อื่นในการพิจารณาจัดซื้อ รวมถึงสัดส่วนการคิดคะแนนระหว่างเกณฑ์ราคา และเกณฑ์อื่นจะถูกกำหนดไว้ในเอกสารที่เกี่ยวข้อง”

ข้อ ๔ กรณีการจัดซื้ออุปกรณ์ไฟฟ้าหลักสำหรับติดตั้งใช้งานในระบบสายส่ง 115 kV และระบบจำหน่าย 22 kV และ 33 kV อันได้แก่ หม้อแปลงไฟฟ้า รีโคลสเซอร์ เซอร์กิตเบรกเกอร์ อุปกรณ์ป้องกัน สวิตช์ อุปกรณ์ตัดตอน ลูกถ้วยไฟฟ้า สายไฟฟ้า หม้อแปลงกระแส (Current transformers) หม้อแปลงแรงดัน (Voltage transformers) รวมถึง มิเตอร์สำหรับวัดพลังงานไฟฟ้า การไฟฟ้าส่วนภูมิภาคขอสงวนสิทธิ์ที่จะส่งเจ้าหน้าที่ของการไฟฟ้าส่วนภูมิภาค หรือผู้แทนที่ได้รับการแต่งตั้งจากการไฟฟ้าส่วนภูมิภาคเข้าไปตรวจสอบกระบวนการผลิตและการควบคุมคุณภาพ ณ โรงงานผู้ผลิตก่อนการส่งมอบ โดยการไฟฟ้าส่วนภูมิภาคจะเป็นผู้ออกค่าใช้จ่ายในการเดินทาง และเบี้ยเลี้ยงของเจ้าหน้าที่ฯ หรือค่าจ้างผู้แทนฯ เท่านั้น

ข้อ ๕ การจัดซื้อหม้อแปลงไฟฟ้าสำหรับระบบจำหน่าย ผู้ที่ได้รับการสั่งซื้อต้องยินยอมให้ การไฟฟ้าส่วนภูมิภาค หรือผู้แทนที่ได้รับการแต่งตั้งจากการไฟฟ้าส่วนภูมิภาคเข้าไปตรวจสอบกระบวนการผลิต การควบคุมคุณภาพ และการทดสอบ ณ โรงงานผู้ผลิตก่อนการส่งมอบ โดยมีรายละเอียดและขั้นตอนที่ผู้ได้รับการสั่งซื้อต้องปฏิบัติตามเอกสารแนบจำนวน ๒ แผ่น โดยการไฟฟ้าส่วนภูมิภาคจะเป็นผู้ออกค่าใช้จ่ายในการเดินทาง และเบี้ยเลี้ยงของเจ้าหน้าที่ฯ หรือค่าจ้างผู้แทนฯ เท่านั้น

ข้อ ๖ กรณีพัสดุที่จะจัดซื้อเป็นรายการที่ ได้รับการรับรองตามกระบวนการ PEA Product Acceptance การไฟฟ้าส่วนภูมิภาคจะดำเนินการดังนี้

๖.๑ ในการพิจารณาทางเทคนิค หากผู้ยื่นข้อเสนอ เสนอผลิตภัณฑ์ที่ได้รับการรับรองตาม กระบวนการ PEA Product Acceptance ที่ยังไม่หมดอายุการรับรอง ให้แนบใบรับรองฯ ของการไฟฟ้าส่วน ภูมิภาค พร้อมเอกสารประกอบการเสนอราคา โดยไม่ต้องยื่นเอกสารทางเทคนิคอื่นๆ และคณะกรรมการ พิจารณาผลฯ ไม่ต้องพิจารณาเอกสารทางเทคนิค โดยให้ยึดตามใบรับรองฯ เท่านั้น

๖.๒ ในขั้นตอนการตรวจรับพัสดุที่จัดซื้อ หากพัสดुरายการใดเป็นพัสดุที่ไม่ได้รับการรับรอง ตามกระบวนการ PEA Product Acceptance ให้คณะกรรมการตรวจรับฯดำเนินการตรวจรับพัสดุดังกล่าว ตามขั้นตอน และวิธีการตรวจรับพัสดุของ การไฟฟ้าส่วนภูมิภาคที่บังคับใช้อยู่ ณ ปัจจุบัน

ทั้งนี้ หากพัสดुरายการใดได้รับการรับรองตามกระบวนการ PEA Product Acceptance ที่ยังไม่หมดอายุ การรับรองให้คณะกรรมการตรวจรับฯใช้เอกสารผลการทดสอบคุณภาพผลิตภัณฑ์จากผู้ผลิต และ Product DNA (เอกสารที่ช่วยในการตรวจสอบและคัดกรองผลิตภัณฑ์ในเบื้องต้น ซึ่งประกอบด้วยข้อมูล Type test และ รูปภาพส่วนประกอบต่างๆ ของผลิตภัณฑ์)เพื่อประกอบการตรวจรับพัสดุดังกล่าว โดยไม่ต้องสุ่มทดสอบอีก

๖.๓ ผู้ชนะการเสนอราคา หรือ คู่สัญญา จะต้องยื่นเอกสารแผนการผลิตและการควบคุม คุณภาพการผลิตให้ การไฟฟ้าส่วนภูมิภาค ซึ่งการไฟฟ้าส่วนภูมิภาคขอสงวนสิทธิ์ในการเข้าตรวจสอบในขั้นตอน การผลิต (In Process) หรือให้ผู้แทน รวมถึงหน่วยตรวจประเมินที่การไฟฟ้าส่วนภูมิภาค ให้การรับรองเข้า ดำเนินการดังกล่าว โดยค่าใช้จ่ายที่เกิดขึ้นเป็นของการไฟฟ้าส่วนภูมิภาค หากต้องการตรวจสอบซ้ำเนื่องจาก การตรวจสอบครั้งแรกไม่เป็นไปตามเงื่อนไข หรือหลักเกณฑ์ที่ การไฟฟ้าส่วนภูมิภาคกำหนด ผู้ชนะการเสนอ ราคา หรือ คู่สัญญาต้องเป็นผู้รับผิดชอบค่าใช้จ่ายที่เกิดขึ้นทั้งหมด

ข้อ ๗ กรณีผู้ยื่นข้อเสนอ เสนอผลิตภัณฑ์ที่เป็นเซอร์กิตเบรกเกอร์ สวิตช์ และอุปกรณ์ตัดตอนในระบบ จำหน่าย ผู้ยื่นข้อเสนอจะต้องดำเนินการ ดังนี้

๗.๑ เซอร์กิตเบรกเกอร์ ที่จะจัดซื้อตั้งแต่ระบบ 22 kV ขึ้นไป จะต้องมีความสมบัติเป็นไปตาม รายละเอียดสเปค (Specifications) ของการไฟฟ้าส่วนภูมิภาค และต้องมีคุณสมบัติข้อใดข้อหนึ่ง ดังนี้

๗.๑.๑ ผลิตโดยผู้ผลิตที่มีประสบการณ์ในการผลิตอุปกรณ์ประเภทดังกล่าวมาแล้ว ไม่น้อยกว่า ๓ ปี และต้องเคยติดตั้งใช้งานโดยไม่มีปัญหาในสถานีไฟฟ้าของภาครัฐ และหรือเอกชนในประเทศที่ เชื่อมถือได้ มาแล้วไม่น้อยกว่า ๑ แห่ง โดยกรณีนี้ ผู้ยื่นข้อเสนอ จะต้องยื่นเอกสารแสดงประวัติการขาย (Reference List) หรือ หนังสือรับรองจากลูกค้า มาพร้อมกับการยื่นข้อเสนอ หรือ

๗.๑.๒ เป็นผลิตภัณฑ์ที่ผ่านการขึ้นทะเบียนกับการไฟฟ้าส่วนภูมิภาคแล้ว ได้แก่ การ ขึ้นทะเบียน PEA Product Acceptance หรือ PEA Product list หรือการขึ้นทะเบียนอื่นๆ ที่ การไฟฟ้าส่วน ภูมิภาคกำหนด โดยกรณีนี้ ผู้ยื่นข้อเสนอ จะต้องยื่นหนังสือรับรองการขึ้นทะเบียนที่ ยังไม่หมดอายุ มาพร้อมกับการ ยื่นข้อเสนอ หรือ

๗.๑.๓ เป็นผลิตภัณฑ์ที่ผ่านการทดลองติดตั้งใช้งานในระบบของการไฟฟ้าส่วน ภูมิภาคสำนักงานใหญ่แล้ว โดยกรณีนี้ ผู้ยื่นข้อเสนอจะต้องยื่นเอกสารรับรองการผ่านการทดลองติดตั้งใช้งาน จากการไฟฟ้าส่วนภูมิภาค มาพร้อมกับการยื่นข้อเสนอ

๗.๒ สวิตช์ และอุปกรณ์ตัดตอนในระบบจำหน่ายที่จะจัดซื้อ ตั้งแต่ระบบ 22 kV ขึ้นไป อันได้แก่ Dropout fuse cutout, Disconnecting switches, Air break switches, Remote controlled switches (SF₆, gas load break switches). Automatic switching equipment for switching power capacitor bank และ Recloser จะต้องมีความสมบัติเป็นไปตามรายละเอียดสเปค (Specifications) ของการไฟฟ้าส่วนภูมิภาค และต้องมีคุณสมบัติข้อใดข้อหนึ่ง ดังนี้

๗.๒.๑ ผลิตโดยผู้ผลิตที่มีประสบการณ์ในการผลิตอุปกรณ์ประเภทดังกล่าวมาแล้ว ไม่น้อยกว่า ๓ ปี และต้องเคยติดตั้งใช้งานในระบบจำหน่ายมาแล้วไม่น้อยกว่า ๔๐๐ ชุด โดยกรณีนี้ ผู้ยื่นข้อเสนอ จะต้องยื่นเอกสารแสดงประวัติการขาย (Reference List) หรือ หนังสือรับรองจากลูกค้า มาพร้อมกับการยื่นข้อเสนอ หรือ

๗.๒.๒ เป็นผลิตภัณฑ์ที่ผ่านการขึ้นทะเบียนกับการไฟฟ้าส่วนภูมิภาคแล้ว ได้แก่ การขึ้นทะเบียน PEA Product Acceptance หรือ PEA Product List หรือการขึ้นทะเบียนอื่นๆ ที่การไฟฟ้าส่วนภูมิภาคกำหนด โดยกรณีนี้ ผู้ยื่นข้อเสนอ จะต้องยื่นหนังสือรับรองการขึ้นทะเบียนที่ยังไม่หมดอายุ มาพร้อมกับการยื่นข้อเสนอ หรือ

๗.๒.๓ เป็นผลิตภัณฑ์ที่ผ่านการทดลองติดตั้งใช้งานในระบบของการไฟฟ้าส่วนภูมิภาคสำนักงานใหญ่แล้ว โดยกรณีนี้ ผู้ยื่นข้อเสนอจะต้องยื่นเอกสารรับรองการผ่านการทดลองติดตั้งใช้งานจากการไฟฟ้าส่วนภูมิภาคมาพร้อมกับการยื่นข้อเสนอ

๗.๓ ผู้ยื่นข้อเสนอสามารถเสนอขายเซอร์กิตเบรกเกอร์ สวิตช์หรืออุปกรณ์ตัดตอนในระบบจำหน่าย จากผู้ผลิตที่ไม่มีคุณสมบัติตามที่ระบุไว้ในข้อ ๗.๑ หรือ ๗.๒ ดังกล่าวได้ แต่ต้องเป็นผู้ที่ผลิตภายใต้ใบอนุญาต (License) และจะต้องประทับตราเครื่องหมายการค้า (Brand-Name or Trade-mark) เดิมของผู้ให้ใบอนุญาตบนพัสดุ โดยผู้ให้ใบอนุญาต (Licensor) จะต้องมีคุณสมบัติตามข้อ ๗.๑.๑ หรือ ๗.๒.๑ แล้วแต่กรณี

โดยกรณีนี้ผู้ผลิตภายใต้ใบอนุญาตจะต้องทำการทดสอบเฉพาะแบบ (Design or Type tests) เซอร์กิตเบรกเกอร์ สวิตช์ หรืออุปกรณ์ตัดตอนในระบบจำหน่ายตามมาตรฐานที่กำหนดไว้ในรายละเอียดสเปค (Specification) ใหม่ทั้งหมด

ทั้งนี้ ผู้ยื่นข้อเสนอต้องยื่นใบอนุญาต (License) ที่ยังไม่หมดอายุ มาพร้อมกับการยื่นข้อเสนอแสดงประวัติการขาย (Reference List) หรือ หนังสือรับรองจากลูกค้า ของผู้ให้ใบอนุญาต (Licensor) มาพร้อมกับการยื่นข้อเสนอ

๗.๔ หากผู้ยื่นข้อเสนอ เสนอรายละเอียดไม่เป็นไปตามข้อ ๗.๑,๗.๒ และ ๗.๓ ข้างต้น การไฟฟ้าส่วนภูมิภาคสงวนสิทธิที่จะไม่จัดซื้อ

ข้อ ๘ กรณีที่อุปกรณ์ไฟฟ้าหลักสำหรับติดตั้งใช้งานในระบบสายส่ง 115 kV และระบบจำหน่าย 22 kV และ 33 kV อันได้แก่ หม้อแปลงไฟฟ้า รีโคลสเซอร์ เซอร์กิตเบรกเกอร์ อุปกรณ์ป้องกัน สวิตช์ อุปกรณ์ตัดตอน ลูกถ้วยไฟฟ้า สายไฟฟ้า หม้อแปลงกระแส (Current transformers) หม้อแปลงแรงดัน (Voltage transformers) รวมถึงมิเตอร์งานหมุนชนิด ๑ เฟส และ ๓ เฟสสำหรับวัดพลังงานไฟฟ้า ผลิตภัณฑ์ใดก็ตามที่การไฟฟ้าส่วนภูมิภาค จัดซื้อในแต่ละสัญญา และติดตั้งใช้งานภายในระยะเวลา ๒ ปี นับจากวันที่ การไฟฟ้าส่วนภูมิภาค มีหนังสือแจ้งผลการตรวจรับงวดสุดท้าย หรือภายในระยะเวลาอื่นตามที่รายละเอียดสเปค (Specification) กำหนด มีสถิติการชำรุดอันเนื่องมาจากคุณภาพของผลิตภัณฑ์ เกินกว่าเกณฑ์ที่กำหนดไว้ในรายละเอียดสเปค (Specification) หรือกำหนดไว้ในเงื่อนไขอื่นๆ ในขอบเขตของงาน (TOR) หรือกำหนดไว้ในสัญญาจัดซื้อ การไฟฟ้าส่วนภูมิภาคจะตัดสิทธิการเสนอราคาผลิตภัณฑ์ดังกล่าว และจะไม่จัดซื้อเป็นการชั่วคราวทั้งในระหว่างการพิจารณาจัดซื้อ และที่จะประกาศจัดซื้อใหม่จนกว่าผู้ผลิตหรือ ผู้แทนจำหน่ายผลิตภัณฑ์นั้นๆ จะส่งแผนการปรับปรุงคุณภาพผลิตภัณฑ์ และดำเนินการแก้ไขให้เป็นที่ยอมรับจาก การไฟฟ้าส่วนภูมิภาคแล้ว

และต้องพินกำหนดระยะเวลา ๖ เดือน นับจากวันที่ การไฟฟ้าส่วนภูมิภาค มีหนังสือแจ้งตัดสิทธิการเสนอราคา
ผลิตภัณฑ์ดังกล่าวด้วย

ทั้งนี้ เงื่อนไขดังกล่าวจะไม่มีผลใช้บังคับย้อนหลังไปถึงการจัดซื้อที่ยังไม่มีเงื่อนไขกำหนดไว้

ข้อ ๙ ผู้ชนะการเสนอราคาจะต้องแจ้งกำหนดวันส่งมอบพัสดุเป็นลายลักษณ์อักษรให้หน่วยงานจัดซื้อ
และ/หรือ หน่วยงานที่จัดจัดส่งของการไฟฟ้าส่วนภูมิภาคทราบล่วงหน้าไม่น้อยกว่า ๓ วันทำการ เพื่อที่จะได้
กำหนดนัดวันตรวจรับต่อไปและจะต้องส่งมอบพัสดุระหว่างเวลา ๐๘.๓๐ น. ถึง ๑๒.๐๐ น. ของวันที่ทำการ
ส่งมอบด้วย

ข้อ ๑๐ การตรวจสอบสภาพด้านทานของสายอลูมิเนียมหุ้มฉนวน การไฟฟ้าส่วนภูมิภาค
ได้กำหนดแนวปฏิบัติ สำหรับการทดสอบสภาพด้านทานของสายอลูมิเนียมตีเกลียวหุ้มฉนวน ตาม มอก. ๒๙๓
ฉบับล่าสุด ดังนี้

๑๐.๑ การชักตัวอย่าง

คณะกรรมการตรวจรับการไฟฟ้าส่วนภูมิภาคจะสุ่มตัวอย่างสายไฟฟ้าที่ผลิตเสร็จเรียบร้อยแล้ว
(ตีเกลียวและหุ้มฉนวนแล้ว) และนำตัวอย่างมาทดสอบคุณสมบัติต่างๆ รวมทั้งการทดสอบสภาพด้านทานของ
สายไฟฟ้าด้วย ตามที่การไฟฟ้าส่วนภูมิภาคกำหนด

๑๐.๒ วิธีการทดสอบสภาพด้านทาน วิธีการทดสอบสภาพด้านทานเป็นไปตาม มอก. ๘๕ ฉบับ
ล่าสุด โดยนำเฉพาะลวดตัวนำเส้นกลางมาหาค่าสภาพด้านทาน โดยวัดความต้านทานที่ อุณหภูมิห้อง แล้วปรับ
เป็นค่าที่อุณหภูมิ ๒๐ องศาเซลเซียส โดยวิธีการตาม มอก.กำหนด เพื่อนำไปคำนวณค่าสภาพด้านทานต่อไป

๑๐.๓ เกณฑ์ตัดสิน สายลวดอลูมิเนียมตีเกลียวจะถือว่าผ่านการทดสอบนี้ เมื่อมีค่าสภาพ
ด้านทานไม่เกิน ค่าตาม มอก.๒๙๓ ฉบับล่าสุดกำหนดไว้

ข้อ ๑๑ พักติที่การไฟฟ้าส่วนภูมิภาคกำหนดให้มีการทดสอบเพื่อการตรวจรับในหัวข้อที่เป็นการ
ทดสอบแบบทำลาย จนพัสดุไม่สามารถนำกลับมาใช้งานได้ คู่สัญญาจะต้องนำพัสดุใหม่มาทดแทนเพื่อให้ครบ
จำนวนตามที่ระบุไว้ในสัญญาก่อนการไฟฟ้าส่วนภูมิภาครับมอบพัสดุไว้ใช้งาน โดยการไฟฟ้าส่วนภูมิภาคจะมี
หนังสือแจ้งให้ส่งของมาทดแทน ภายใน ๕ วันทำการนับจากวันที่ได้รับหนังสือแจ้ง หากคู่สัญญาไม่นำมา
ทดแทนภายในเวลาที่กำหนด การไฟฟ้าส่วนภูมิภาคจะคิดค่าปรับกรณีส่งของล่าช้าในอัตราร้อยละ ๐.๒๐ ของ
มูลค่าพัสดุนำมาทดแทน และผู้ขายต้องรับพัสดุที่ทดสอบแล้วชำระคืนกลับไป ภายใน ๓๐ วัน หลังจากได้นำ
พัสดุมาทดแทนให้การไฟฟ้าส่วนภูมิภาคแล้ว หากผู้ขายไม่ประสงค์จะรับพัสดุนั้นให้ทำหนังสือแจ้งการไฟฟ้าส่วน
ภูมิภาคทราบเพื่อที่จะดำเนินการต่อไป


ข้อ ๑๒ การชำระราคาพัสดุที่ตกลงซื้อขายกันการไฟฟ้าส่วนภูมิภาคจะชำระภายในเวลา ๓๐ วัน
นับถัดจากวันที่การไฟฟ้าส่วนภูมิภาคได้ทำการตรวจรับพัสดุที่คู่สัญญาส่งมอบถูกต้องเรียบร้อยแล้วในแต่ละงวด
และห้ามคู่สัญญาโอนสิทธิเรียกร้องการรับเงินให้กับบุคคลภายนอก

ข้อ ๑๓ ผู้ชนะการเสนอราคาจะต้องรับประกันความชำรุดบกพร่องอันเนื่องมาจากการใช้งานตามปกติ
ของพัสดุเป็นเวลาไม่น้อยกว่า ๑ ปี นับถัดจากวันที่การไฟฟ้าส่วนภูมิภาคได้รับมอบแล้ว เว้นแต่

๑๓.๑ ปูนซีเมนต์ปอร์ตแลนด์ประเภทเกิดแรงสูงเร็ว ต้องรับประกันคุณภาพเป็นเวลา
ไม่น้อยกว่า ๓๐ วัน นับถัดจากวันที่การไฟฟ้าส่วนภูมิภาคได้รับมอบแล้ว

๑๓.๒ พักติประเภทดังต่อไปนี้ต้องรับประกันคุณภาพเป็นเวลาไม่น้อยกว่า ๓ ปี เว้น
แต่รายละเอียดสเปค (Specification) กำหนดระยะเวลารับประกันคุณภาพไว้มากกว่า ๓ ปี นับถัดวันที่การ
ไฟฟ้าส่วนภูมิภาคได้รับมอบแล้ว ให้ถือระยะเวลารับประกันคุณภาพที่กำหนดไว้ในรายละเอียดสเปค

-On-load tap-changing power transformers for 115 kV
subtransmission substation

ข้อ ๒๙ ตุลาคม ๒๕๖๑ 

- Three-phase automatic voltage regulators (AVR) for 22 kV and 33 kV 50 Hz distribution System
- Single-phase and Three-phase transformers for 22 kV and 33 kV 50 Hz distribution system with and without ability to withstand short circuit
- Remote controlled switches for 22 kV and 33 kV 50 Hz distribution system
- Solid dielectric three-phase automatic reclosers for 22 kV and 33 kV 50 Hz distribution System
- Automatic switching equipment for HV power capacitor Bank
- Single-phase and Three-phase electromechanical and electronic energy meters

๑๓.๓ พัสตุที่จะจัดซื้อเป็น Porcelain cable spacer with grip locks and High-Density Polyethylene (HDPE) cable spacers and snap-tie ต้องรับประกันคุณภาพเป็นเวลาไม่น้อยกว่า ๕ ปี นับถัดวันที่การไฟฟ้าส่วนภูมิภาคได้รับมอบแล้ว

ถ้าพัสตุเกิดความบกพร่องเนื่องจากวัสดุและหรือฝีมือไม่ดี ต้องรีบจัดการแก้ไขหรือเปลี่ยนใหม่ ให้เรียบร้อยโดยไม่คิดมูลค่า ภายใน ๓๐ วัน นับถัดจากวันที่ได้รับแจ้งจากการไฟฟ้าส่วนภูมิภาค และหากความบกพร่องดังกล่าวเป็นเหตุให้เกิดความเสียหายหรือเกิดอุบัติเหตุใดๆขึ้น ผู้ชนะการเสนอราคาจะต้องรับผิดชอบค่าใช้จ่ายเสียหายทั้งหมด ตามข้อกำหนดทั่วไป และ/หรือรายละเอียดสเปค (Specification) จะกำหนดไว้ โดยไม่มีข้อโต้แย้งใดๆ

ในกรณีที่ผู้ชนะการเสนอการารับพัสตุไปแก้ไข หรือการไฟฟ้าส่วนภูมิภาคส่งมอบพัสตุให้ผู้ชนะการเสนอราคาไปดำเนินการแก้ไข และผู้ชนะการเสนอการาส่งมอบพัสตุที่แก้ไขแล้วคืนเกินกำหนดเวลา ๓๐ วัน ผู้ชนะการเสนอราคาต้องขยายกำหนดเวลารับประกันความชำรุดบกพร่องเท่ากับจำนวนวันที่เกินจากกำหนด ๓๐ วัน โดยนับต่อจากวันครบกำหนดเวลารับประกันเดิม สำหรับกรณีที่แก้ไขแล้วเสร็จพ้นกำหนดเวลารับประกัน ให้ขยายกำหนดตามจำนวนวันที่เกินจากกำหนด ๓๐ วัน โดยนับต่อจากวันส่งมอบพัสตุที่แก้ไขเสร็จเรียบร้อย แล้วแต่กรณี และยอมให้การไฟฟ้าส่วนภูมิภาคปรับเป็นรายวันในอัตรา ร้อยละ ๐.๐๕๑๐๙ ของราคาพัสตุรวมภาษีมูลค่าเพิ่ม ที่แก้ไขเกินกำหนด

ข้อ ๑๔ โครงการจัดซื้อจัดจ้างที่มีวงเงินตั้งแต่ ๕๐๐ ล้านบาทขึ้นไป รวมถึงการจัดซื้อจัดจ้างแบบเป็นกลุ่มประกวดราคา (Bid Group) ที่มีวงเงินตั้งแต่ ๕๐๐ ล้านบาทขึ้นไป (ตามประกาศคณะกรรมการความร่วมมือป้องกันการทุจริต เรื่อง มาตรฐานขั้นต่ำของนโยบายและแนวทางป้องกันการทุจริตในการจัดซื้อจัดจ้างที่ผู้ประกอบการ ต้องจัดให้มี ตามมาตรา ๑๙ แห่งพระราชบัญญัติการจัดซื้อจัดจ้างและการบริหารพัสดุภาครัฐ พ.ศ. ๒๕๖๐) ผู้เข้าร่วมการเสนอราคาจะต้องมีนโยบายและแนวทางการป้องกันการทุจริตในการจัดซื้อจัดจ้างพร้อมทั้ง ต้องแนบเอกสารหลักฐาน และแบบตรวจสอบข้อมูลของผู้ประกอบการที่จะเข้าร่วมการเสนอราคาในโครงการที่มีวงเงินตั้งแต่ ๕๐๐ ล้านบาทขึ้นไป ประกอบเป็นเอกสารการเสนอราคา โดยผู้ประกอบการจะต้องมีการดำเนินการตามแบบตรวจสอบข้อมูลครบถ้วนทุกข้อจึงจะผ่านการพิจารณาคุณสมบัติของ ผู้เสนอราคา

ทั้งนี้เงื่อนไขตามข้อ ๑๔ ดังกล่าวจะเริ่มใช้ตั้งแต่วันที่ ๕ กุมภาพันธ์ ๒๕๖๒ เป็นต้นไป

ข้อ ๑๕ โครงการจัดซื้อจัดจ้างที่มีวงเงินตั้งแต่ ๑,๐๐๐ ล้านบาทขึ้นไป จะต้องดำเนินการตามประกาศคณะกรรมการความร่วมมือป้องกันการทุจริต (ค.ป.ท.) เรื่องแนวทางและวิธีการในการดำเนินงานโครงการความร่วมมือป้องกันการทุจริตในการจัดซื้อจัดจ้างภาครัฐ แบบของข้อตกลงคุณธรรม การคัดเลือกผู้สังเกตการณ์ และการจัดทำรายงานตามมาตรา ๑๗ และ มาตรา ๑๘ แห่งพระราชบัญญัติการจัดซื้อจัดจ้างและการบริหารพัสดุภาครัฐ พ.ศ. ๒๕๖๐ และได้รับ คัดเลือก จากคณะกรรมการความร่วมมือป้องกันการทุจริต (ค.ป.ท.) ให้จัดทำข้อตกลงคุณธรรม (integrity pact :IP)

ผู้ประสงค์จะเข้าร่วมการเสนอราคาในโครงการจัดทำข้อตกลงคุณธรรมจะต้องลงนามในข้อตกลงคุณธรรมซึ่งเป็นเอกสารที่ยื่นพร้อมกับเอกสารเสนอราคา หากไม่ลงนามในข้อตกลงคุณธรรมจะไม่มีสิทธิเข้าร่วมการเสนอราคาในโครงการนั้น

รายละเอียดเพิ่มเติมการจัดซื้อหม้อแปลงไฟฟ้าระบบจำหน่าย

ผู้ที่ได้รับการสั่งซื้อ จะต้องยินยอมให้การไฟฟ้าส่วนภูมิภาคตรวจสอบการผลิตและการทดสอบหม้อแปลงไฟฟ้าระบบจำหน่ายที่ผลิตภายในประเทศ โดยมีรายละเอียดและขั้นตอนที่ผู้ได้รับการสั่งซื้อต้องปฏิบัติ ดังนี้

๑. กำหนดให้เป็นหน้าที่ของผู้ชนะการเสนอราคา ที่จะต้องจัดให้คณะกรรมการตรวจสอบการผลิตและการทดสอบ เข้าตรวจสอบการผลิตหม้อแปลงระบบจำหน่ายใน Lot ที่จะส่งมอบต่อการไฟฟ้าส่วนภูมิภาคชั้นหนึ่งก่อน เพื่อคณะกรรมการจะได้กลิ่นกรองคุณภาพในขั้นต้น ซึ่งหากพบข้อบกพร่องที่จะต้องแก้ไข ก็จะได้แก้ไขได้โดยง่าย เพราะยังอยู่ในระหว่างการผลิต

๒. คณะกรรมการตรวจสอบการผลิตและการทดสอบมีอำนาจที่จะสั่งให้ ผู้ชนะการเสนอราคาหรือผู้ผลิตแก้ไขข้อบกพร่องได้ทันทีที่พบข้อบกพร่องในขณะตรวจสอบการผลิตและการทดสอบ โดยแจ้งให้ผู้ชนะการเสนอราคาทราบเพื่อดำเนินการแก้ไข

๓. ชนิดหม้อแปลงที่จะตรวจสอบ รายละเอียดการตรวจสอบการผลิต และการทดสอบ

- ๓.๑ ชนิดหม้อแปลง ก. หม้อแปลงไฟฟ้า ๑ เฟส ระบบ ๑๙ เควี
- ข. หม้อแปลงไฟฟ้า ๑ เฟส ระบบ ๒๒ เควี
- ค. หม้อแปลงไฟฟ้า ๓ เฟส ระบบ ๒๒ เควี
- ง. หม้อแปลงไฟฟ้า ๓ เฟส ระบบ ๓๓ เควี

๓.๒ รายละเอียดการตรวจสอบ สายการผลิตและการทดสอบ

ก. ตรวจสอบวัตถุดิบ (Material) ที่นำเข้าไปใช้ในสายการผลิตของอุปกรณ์หลักๆ ให้เป็นไปตามสัญญา ดังนี้

- Bushing
- Terminal connectors
- Magnetic path (core)
- Copper
- Tap changer
- Transformer oil

ข. ตรวจสอบกรรมวิธีการผลิต (Process) ให้เป็นไปตามมาตรฐาน หรือสัญญา ดังนี้

- Transformer tank
- Coil forming (การพันขดลวด)
- Core forming (การประกอบแกนเหล็ก)

ค. ตรวจสอบการทดสอบรายการ Routine tests ให้เป็นไปตามมาตรฐาน โดยการสุ่มตัวอย่างหม้อแปลง เพื่อดำเนินการทดสอบตามหลักเกณฑ์ที่การไฟฟ้าส่วนภูมิภาคกำหนด

ง. ตรวจสอบการทดสอบรายการ Type test (ยกเว้นรายการทดสอบ Temperature rise test) ให้เป็นไปตามมาตรฐานที่กำหนด ส่วนการทดสอบ Temperature rise test เนื่องจากต้องใช้เวลาในการทดสอบ เป็นเวลานาน ไม่อาจจะมี witness ที่โรงงานของผู้ผลิตได้ ให้ดำเนินการ สุ่มตัวอย่างหม้อแปลงจำนวน ๑ ตัวอย่าง ของแต่ละแบบขนาดระบบแรงดัน ในแต่ละสัญญาทดสอบที่ การไฟฟ้าส่วนภูมิภาค

๔. กรณีผู้ชนะการเสนอราคาไม่ได้จัดให้คณะกรรมการตรวจสอบการผลิตและการทดสอบ เข้าตรวจสอบการผลิตขั้นต้นก่อนส่งมอบใน Lot ใด หรือไม่ยอมแก้ไขข้อบกพร่องตามที่คณะกรรมการฯ แจ้งให้แก้ไข คณะกรรมการตรวจรับพัสดุ สงวนสิทธิ์ที่จะปฏิเสธการรับหม้อแปลง Lot นั้นๆ ได้

๕. การตรวจสอบในขั้นต้นของคณะกรรมการตรวจสอบการผลิตและการทดสอบ นั้น จะไม่ถือว่าเป็นการตรวจรับ หม้อแปลงใน Lot นั้นๆ จนกว่าจะมีการส่งมอบและตรวจรับของตามสัญญาอย่างถูกต้อง โดยให้คณะกรรมการฯ เป็นผู้สุ่มหม้อแปลงที่จะทดสอบในการตรวจรับ ให้คณะกรรมการตรวจรับด้วย

๖. คณะกรรมการตรวจสอบการผลิตและการทดสอบ มีสิทธิเลือกสุ่ม หรือนำหม้อแปลงที่อยู่ระหว่างการผลิตมาทดสอบ และหากหม้อแปลงนั้นต้องชำรุดหรือเสียหายจากการทดสอบคุณภาพ ผู้ผลิตจะต้องไม่เรียกค่าเสียหายใดๆ ทั้งสิ้น

๗. ความล่าช้าอันเนื่องมาจากเหตุตามข้อ ๔ ผู้ชนะการเสนอราคาจะถือเป็นเหตุยกเว้นความรับผิดชอบในการส่งมอบหม้อแปลงตามกำหนดเวลาในสัญญา มิได้

๘. เพื่อขจัดปัญหาข้อขัดแย้งเกี่ยวกับคุณภาพการผลิตและการทดสอบ ซึ่งอาจเกิดขึ้นระหว่างคณะกรรมการฯ กับผู้ชนะการเสนอราคา ให้ถือผลการทดสอบของ กองหม้อแปลง การไฟฟ้าส่วนภูมิภาค เป็นข้อยุติ

หลักเกณฑ์การใช้เกณฑ์ราคาประกอบเกณฑ์อื่นในการจัดซื้อจัดจ้างของการไฟฟ้าส่วนภูมิภาค
พ.ศ. 2561

ตามพระราชบัญญัติการจัดซื้อจัดจ้าง และการบริหารพัสดุภาครัฐ พ.ศ. 2560 มาตรา 65 กำหนดให้การพิจารณาคัดเลือกข้อเสนอในการจัดซื้อจัดจ้างโดยวิธีประกาศเชิญชวนทั่วไป ให้หน่วยงานของรัฐ ดำเนินการโดยพิจารณาถึงประโยชน์ของหน่วยงานของรัฐ และวัตถุประสงค์ของการใช้งานเป็นสำคัญ โดยให้ คำนึงถึงเกณฑ์ราคา และพิจารณาเกณฑ์อื่นประกอบด้วย ดังต่อไปนี้

- (1) ต้นทุนของพัสดุนั้นตลอดอายุการใช้งาน
- (2) มาตรฐานของสินค้าหรือบริการ
- (3) บริการหลังการขาย
- (4) พักตร์ที่รัฐต้องการส่งเสริมหรือสนับสนุน
- (5) การประเมินผลการปฏิบัติงานของผู้ประกอบการ
- (6) ข้อเสนอด้านเทคนิค หรือข้อเสนออื่น ในกรณีที่กำหนดให้มีการยื่นข้อเสนอด้านเทคนิค หรือข้อเสนออื่นก่อน
- (7) เกณฑ์อื่นตามที่กำหนดในกฎกระทรวง

ดังนั้น เพื่อให้การดำเนินการในการจัดซื้อจัดจ้างของการไฟฟ้าส่วนภูมิภาคมีประสิทธิภาพ และเป็นไปตามพระราชบัญญัติการจัดซื้อจัดจ้าง และการบริหารพัสดุภาครัฐ พ.ศ. 2560 มาตรา 65 ดังกล่าว จึงกำหนดหลักเกณฑ์การใช้เกณฑ์ราคาประกอบเกณฑ์อื่นในการจัดซื้อจัดจ้างของการไฟฟ้าส่วนภูมิภาค ดังนี้

ข้อ 1 ประเภทพัสดุที่ใช้เกณฑ์ราคาประกอบเกณฑ์อื่นในการจัดซื้อจัดจ้าง และสัดส่วน การคิดคะแนนระหว่างเกณฑ์ราคาและเกณฑ์อื่น

พัสดุที่การไฟฟ้าส่วนภูมิภาคจัดซื้อจัดจ้างแบ่งตามความสำคัญต่อระบบไฟฟ้าได้ ออกเป็น 3 กลุ่ม ได้แก่

กลุ่มที่ 1 พักตร์ที่มีความสำคัญต่อระบบไฟฟ้าสูง ได้แก่ พักตร์ที่ติดตั้งใช้งานแล้ว หากพัสดุดังกล่าวเกิดการชำรุด จะกระทบต่อการสูญเสียรายได้โดยตรง หรือมีมูลค่าความเสียหายมากส่งผลกระทบต่อ ความมั่นคงและความเชื่อถือได้ของระบบไฟฟ้าสูง เช่นทำให้เกิดไฟฟ้าดับเป็นบริเวณกว้าง หรือเป็นเวลานาน และใช้เวลาในการซ่อม หรือเปลี่ยนเป็นเวลานาน เป็นต้น

กลุ่มที่ 2 พักตร์ที่มีความสำคัญต่อระบบไฟฟ้าปานกลาง ได้แก่ พักตร์ที่ติดตั้งใช้งานแล้ว หากพัสดุดังกล่าวเกิดการชำรุด จะส่งผลกระทบต่อความมั่นคงและความเชื่อถือได้ของระบบไฟฟ้าปานกลาง เช่นทำให้เกิดไฟฟ้าดับเฉพาะบางพื้นที่เป็นระยะเวลาสั้นๆ เป็นต้น

กลุ่มที่ 3 พักตร์ที่มีความสำคัญต่อระบบไฟฟ้าน้อย ได้แก่ พักตร์ที่ติดตั้งใช้งานแล้ว หากพัสดุดังกล่าวเกิดการชำรุด จะส่งผลกระทบต่อความมั่นคงและความเชื่อถือได้ของระบบไฟฟ้าน้อย

โดยพัสดุแต่ละรายการที่การไฟฟ้าส่วนภูมิภาคจัดซื้อจัดจ้างแบ่งตามกลุ่มพัสดุดังกล่าว ได้ตามเอกสารแนบท้ายหลักเกณฑ์นี้ ซึ่งมีสัดส่วนการคิดคะแนนระหว่างเกณฑ์ราคา และเกณฑ์อื่น สำหรับ พักตร์แต่ละกลุ่มดังกล่าวข้างต้นเป็นดัง ตารางที่ 1

ตารางที่ 1

สัดส่วนการคิดคะแนนระหว่างด้านเกณฑ์ราคาและเกณฑ์ด้านประสิทธิภาพ สำหรับพัสดุแต่ละกลุ่ม

พัสดุ	สัดส่วนการคิดคะแนนระหว่างเกณฑ์ราคา และเกณฑ์ประสิทธิภาพ		คะแนนรวม (%)
	เกณฑ์ด้านราคา (%)	เกณฑ์ด้านประสิทธิภาพ (%)	
กลุ่มที่ 1	40	60	100
กลุ่มที่ 2	60	40	100
กลุ่มที่ 3	80	20	100

ข้อ 2 รายละเอียดเกณฑ์อื่นที่ใช้ประกอบเกณฑ์ราคา

ข้อ 2.1 เกณฑ์ด้านเทคนิคบังคับ

เกณฑ์ด้านเทคนิคบังคับ ที่การไฟฟ้าส่วนภูมิภาคใช้ประกอบในการพิจารณาจัดซื้อจัดจ้างพัสดุตามพระราชบัญญัติการจัดซื้อจัดจ้าง และการบริหารพัสดุภาครัฐ พ.ศ. 2560 ประกอบด้วย

- (1) ผลิตภัณฑ์ที่เสนอต้องเป็นไปตามข้อกำหนดทางเทคนิคของ กฟภ.
- (2) ผลิตภัณฑ์ที่เสนอต้องผลิตจากโรงงานที่ได้รับรองระบบคุณภาพของกระบวนการผลิต ตามมาตรฐาน ISO 9001

หากผลิตภัณฑ์ที่เสนอไม่ผ่านเกณฑ์ด้านเทคนิคบังคับข้อใดข้อหนึ่ง การไฟฟ้าส่วนภูมิภาคจะพิจารณาไม่จัดซื้อ โดยไม่พิจารณาให้คะแนนทั้งด้านราคาและด้านประสิทธิภาพ

ข้อ 2.2 เกณฑ์ด้านประสิทธิภาพ

เกณฑ์ด้านประสิทธิภาพ ที่การไฟฟ้าส่วนภูมิภาคใช้ประกอบในการพิจารณาจัดซื้อจัดจ้างพัสดุตามพระราชบัญญัติการจัดซื้อจัดจ้าง และการบริหารพัสดุภาครัฐ พ.ศ. 2560 ประกอบด้วย

- (1) ข้อมูลการชำรุดย้อนหลังอ้างอิงจากข้อมูลการชำรุดรายผลิตภัณฑ์จากฐานข้อมูลที่มีการไฟฟ้าส่วนภูมิภาคได้จัดทำไว้ เป็นระยะเวลาย้อนหลัง 3 ปีปฏิทิน (เช่น การจัดซื้อจัดจ้างพัสดุในปี 2561 จะใช้ข้อมูลการชำรุดปี 2560, 2559 และปี 2558 มาคิดเป็นคะแนน) โดยคิดเป็นร้อยละตามสมการความสัมพันธ์ ดังนี้

$$\text{ร้อยละการชำรุด} = \frac{\text{จำนวนการชำรุด (3 ปีย้อนหลัง)}}{\text{จำนวนจัดซื้อมาใช้งาน (3 ปีย้อนหลัง)}}$$

- (2) เป็นผลิตภัณฑ์ที่ได้รับใบอนุญาตแสดงเครื่องหมายมาตรฐานผลิตภัณฑ์อุตสาหกรรม หรือได้รับการจดทะเบียนกับกระทรวงอุตสาหกรรม

- (3) เป็นผลิตภัณฑ์ที่ได้รับการรับรองมาตรฐานฉลากเขียว (Green label) หรือเป็นผลิตภัณฑ์ที่ผลิตจากโรงงานที่ได้รับการรับรองระบบการจัดการสิ่งแวดล้อมมาตรฐาน ISO 14001

- (4) เป็นผลิตภัณฑ์ที่ผลิตจากโรงงานที่ได้รับการรับรองความสามารถห้องปฏิบัติการทดสอบ มาตรฐาน ISO/IEC 17025 ครอบคลุมทุกหัวข้อการทดสอบประจำที่การไฟฟ้าส่วนภูมิภาคกำหนดไว้ในเอกสารแนบท้ายหลักเกณฑ์นี้เป็นรายอุปกรณ์ หรือเป็นผลิตภัณฑ์ที่ผลิตโดยโรงงานที่ได้รับการรับรองกระบวนการทดสอบประจำ หรือได้รับการรับรองหน่วยทดสอบเครือข่ายจากการไฟฟ้าส่วนภูมิภาค

(5) เป็นผลิตภัณฑ์...

(5) เป็นผลิตภัณฑ์ที่ได้รับการขึ้นทะเบียนกับการไฟฟ้าส่วนภูมิภาค (PEA Product Acceptance หรือ Product lists สำหรับงานจ้างเหมาก่อสร้างสถานีไฟฟ้า) หรือกระบวนการรับรองอื่นที่การไฟฟ้าส่วนภูมิภาคได้กำหนดขึ้น

ทั้งนี้ การเลือกใช้เกณฑ์อื่น และสัดส่วนการคิดคะแนนกับพัสดุแต่ละรายการนั้นให้เป็นไปตามเอกสารแนบท้ายหลักเกณฑ์นี้

ข้อ 3 วิธีการคำนวณคะแนน และตัวอย่างการคำนวณคะแนน

ผู้ที่ได้รับการพิจารณาคัดเลือก คือ ผู้ที่ได้รับคะแนนรวมสูงสุด (ผลรวมของคะแนนเกณฑ์ราคา และคะแนนเกณฑ์ประสิทธิภาพ) โดยการคำนวณการคิดคะแนนเกณฑ์ราคา ตามสมการความสัมพันธ์ดังนี้

$$\text{ร้อยละด้านราคาที่ได้} = \text{ร้อยละด้านราคาเต็ม} - \left\{ \frac{(\text{ราคาที่เสนอ} - \text{ราคาที่เสนอต่ำสุด}) \times \text{ร้อยละด้านราคาเต็ม}}{\text{ราคาที่เสนอต่ำสุด}} \right\}$$

หมายเหตุ : การคิดคะแนนเกณฑ์ราคา ให้ยึดถือตามระบบที่กรมบัญชีกลางได้กำหนดขึ้น

ตัวอย่างการคำนวณคะแนนของการใช้เกณฑ์ราคา ประกอบเกณฑ์อื่นในการจัดซื้อจัดจ้างของการไฟฟ้าส่วนภูมิภาค

กำหนดให้

- มีผู้เสนอราคาทั้งหมด 5 ผลิตภัณฑ์ (ทั้งหมดผ่านการพิจารณาด้านเทคนิค)
- สัดส่วนการคิดคะแนนระหว่างเกณฑ์ด้านราคา และเกณฑ์ด้านประสิทธิภาพเป็น 40 : 60
- ทั้ง 5 รายได้รับคะแนนเกณฑ์อื่นตามระบุในตารางที่ 2

ตารางที่ 2

ตัวอย่างการคำนวณคะแนนในการใช้เกณฑ์ด้านราคา และเกณฑ์ด้านประสิทธิภาพ

ผลิตภัณฑ์	ราคาที่เสนอ (บาท)	เกณฑ์ด้านราคา (40%)	เกณฑ์ด้านประสิทธิภาพ (60%)	คะแนนรวม (%)
A	110	25	55	80
B	80	40	30	70
C	95	32.5	50	82.5
D	100	30	45	75
E	105	27.5	45	72.5

หมายเหตุ: คะแนนเกณฑ์ด้านราคาคำนวณได้จากสมการความสัมพันธ์ตามข้อ 3

จากตารางที่ 2 ตัวอย่างการคำนวณคะแนนในการใช้เกณฑ์ด้านราคา ประกอบเกณฑ์อื่น (เกณฑ์ด้านราคา 40% และเกณฑ์ด้านประสิทธิภาพ (60%) ผลิตภัณฑ์ที่ได้รับการพิจารณาคัดเลือกคือ ผลิตภัณฑ์ C

เอกสารแนบท้าย
หลักเกณฑ์การใช้เกณฑ์ราคาประกอบเกณฑ์อื่นในการจัดซื้อจัดจ้างของการไฟฟ้าส่วนภูมิภาค
พ.ศ. 2561

หม้อแปลงไฟฟ้าสำหรับระบบจำหน่าย

คิดคะแนนจากเกณฑ์ราคาร้อยละ 40 และเกณฑ์ประสิทธิภาพร้อยละ 60

เกณฑ์ประสิทธิภาพ (60%)	คะแนน
1. ประวัติการใช้งานในระยะ 3 ปีย้อนหลัง (ต้องมีประวัติซื้ออย่างน้อย 1 ปี ภายใน 3 ปี, หากภายใน 3 ปี ไม่มีการจัดซื้อเลยถือว่าได้เพียง 3 คะแนน เนื่องจากยังไม่มีประวัติ) แบ่งเป็น <ul style="list-style-type: none"> - ไม่พบปัญหาการใช้งาน..... 15 - พบการชำรุดแต่ไม่เกิน 0.5%..... 12 - พบการชำรุดแต่ไม่เกิน 1.0%..... 9 - พบการชำรุดแต่ไม่เกิน 1.5%..... 6 - พบการชำรุดแต่ไม่เกิน 2.0% 3 - พบการชำรุดเกิน 2.0%..... 0 	15
2. ได้รับใบอนุญาตแสดงเครื่องหมายมาตรฐานกับผลิตภัณฑ์อุตสาหกรรม (มอก.) แบ่งเป็น <ul style="list-style-type: none"> - ได้รับ มอก. 15 - ไม่ได้รับ มอก. 0 	15
3. ได้รับการรับรองเครื่องหมายฉลากเขียว หรือได้รับการรับรองระบบจัดการสิ่งแวดล้อมมาตรฐาน ISO 14001* แบ่งเป็น¹⁾ <ul style="list-style-type: none"> - ได้รับฉลากเขียว หรือ ISO 14001 5 - ไม่ได้รับฉลากเขียว หรือ ISO 14001 0 <p>* กรณีที่เป็นพัสดุที่มีการกำหนดฉลากเขียวแล้ว ให้ใช้ฉลากเขียวในการคิดเกณฑ์ประสิทธิภาพ ถ้าพัสดุนั้นไม่มีการกำหนดฉลากเขียว ให้ใช้ ISO 14001 ในการคิดเกณฑ์ประสิทธิภาพ</p>	5
4. ได้รับการรับรองความสามารถห้องปฏิบัติการทดสอบมาตรฐาน ISO/IEC 17025 (ทุกหัวข้อตามที่ กฟผ. กำหนด) แบ่งเป็น <ul style="list-style-type: none"> - ได้รับ ISO/IEC 17025²⁾ (ทุกหัวข้อตามที่ กฟผ. กำหนด)..... 10 - ได้รับการขึ้นทะเบียนห้องทดสอบเครือข่าย หรือได้รับการรับรองกระบวนการทดสอบประจำของ กฟผ.³⁾ (ผ่อนผัน 2 ปี) 5 - ไม่ได้รับฯ หรือได้รับ ISO/IEC 17025 (ไม่ครบทุกหัวข้อตามที่ กฟผ. กำหนด) หรือไม่ได้รับการขึ้นทะเบียนห้องทดสอบเครือข่าย หรือไม่ได้รับการรับรองกระบวนการทดสอบประจำของ กฟผ. (ผ่อนผัน 2 ปี) 0 	10
5. ได้รับการขึ้นทะเบียน PEA Product Acceptance หรือ Product lists แบ่งเป็น <ul style="list-style-type: none"> - ได้รับการขึ้นทะเบียน PEA Product Acceptance หรือ Product lists 15 - เป็นผลิตภัณฑ์ที่ได้รับการขึ้นทะเบียน Vendor list เดิม ของ กฟผ. หรือได้รับการขึ้นทะเบียนผลิตภัณฑ์สำหรับ Price-performance⁴⁾ (ผ่อนผัน 2 ปี) 15 - ไม่ได้รับการขึ้นทะเบียน PEA Product Acceptance หรือ Product lists 0 	15
รวม	60

หมายเหตุ :

- 1) หากหม้อแปลงมีการประกาศใช้เครื่องหมายฉลากเขียวแล้ว กฟผ. จะพิจารณาให้คะแนนจากเอกสารรับรองเครื่องหมายฉลากเขียวเท่านั้น ทั้งนี้สามารถตรวจสอบการประกาศรับรองเครื่องหมายฉลากเขียวได้ที่ www.tei.or.th กรณีพิจารณาให้คะแนนจากการได้รับการรับรองระบบการจัดการสิ่งแวดล้อมมาตรฐาน ISO 14001 จะพิจารณาให้คะแนนเฉพาะที่ได้รับการรับรองจากสำนักงานมาตรฐานผลิตภัณฑ์อุตสาหกรรม หรือหน่วยงานที่กระทรวงอุตสาหกรรมให้การรับรองระบบงานให้เท่านั้น (ได้ใบรับรองจากหน่วยงานอื่นได้ 0 คะแนน)
- 2) ได้รับ ISO/IEC 17025 (ทุกหัวข้อตามที่ กฟผ. กำหนด) หมายถึง ผู้ผลิตหม้อแปลงจะต้องได้รับการรับรองความสามารถห้องปฏิบัติการทดสอบ ISO/IEC 17025 ทุกหัวข้อตามที่ กฟผ. กำหนด จากสำนักงานมาตรฐานผลิตภัณฑ์อุตสาหกรรม หรือหน่วยงานที่กระทรวงอุตสาหกรรมให้การรับรองระบบงานให้เท่านั้น (ได้ใบรับรองจากหน่วยงานอื่นได้ 0 คะแนน)
- 3) กฟผ. ผ่อนผันเป็นระยะเวลา 2 ปี (พ.ศ. 2561-2562) ให้ผู้ผลิตหม้อแปลงที่ได้รับการขึ้นทะเบียนห้องทดสอบเครือข่าย หรือได้รับการรับรองกระบวนการทดสอบประจำของ กฟผ. (ได้รับคะแนน 5 คะแนน)

- 4) กฟภ. ผ่อนผันเป็นระยะเวลา 2 ปี (พ.ศ. 2561-2562) ให้ผู้ผลิตหม้อแปลงที่ได้รับการขึ้นทะเบียน Vendor list เดิม ของ กฟภ. หรือได้รับการขึ้นทะเบียนผลิตภัณฑ์สำหรับ Price-performance (ได้รับคะแนน 15 คะแนน)

หัวข้อการทดสอบ Routine tests ของหม้อแปลงระบบจำหน่าย

(ตามสเปคอ้างอิงเลขที่ RTRN-008/2558, RTRN-047/2561 และ RTRN-035/2561)

ที่	หัวข้อการทดสอบ
1.	Measurement of winding resistance
2.	Measurement of voltage ratio and check of phase displacement
3.	Measurement of short-circuit impedance and load loss
4.	Measurement of no-load loss and current
5.	Dielectric routine tests - Applied voltage test - Induce voltage withstand test